

US00D505761S

(12) **United States Design Patent**
Gammack et al.

(10) **Patent No.:** **US D505,761 S**

(45) **Date of Patent:** **** May 31, 2005**

(54) **CLEANING APPLIANCE**

(75) Inventors: **Peter David Gammack**, Bath (GB);
Emma Jane Heatley, Shertson (GB);
Matthew James Roger Allard, Bath
(GB); **James Dyson**, Little Somerford
(GB)

(73) Assignee: **Dyson Limited**, Wiltshire (GB)

(**) Term: **14 Years**

(21) Appl. No.: **29/192,911**

(22) Filed: **Nov. 3, 2003**

(30) **Foreign Application Priority Data**

May 3, 2003 (GB) 3012568

(51) **LOC (7) Cl.** **15-05**

(52) **U.S. Cl.** **D32/21**

(58) **Field of Search** D32/21, 23-24,
D32/31-33; 15/320-322, 327.1-327.2,
327.4, 327.6, 327.7, 347, 353, 412, 414;
55/DIG. 3, 345

(56) **References Cited**

U.S. PATENT DOCUMENTS

D382,679 S * 8/1997 Dyson D32/21

D445,226 S * 7/2001 Jupp D32/21
D446,613 S * 8/2001 Hirokawa D32/21
D471,683 S * 3/2003 Dyson et al. D32/30
6,553,612 B1 * 4/2003 Dyson et al. 15/340.1
D484,286 S * 12/2003 Dyson et al. D32/24

* cited by examiner

Primary Examiner—Ruth McInroy

(74) *Attorney, Agent, or Firm*—Morrison & Foerster LLP

(57) **CLAIM**

We claim the ornamental design for a cleaning appliance, as shown and described.

DESCRIPTION

FIG. 1 is a front and side perspective view of a cleaning appliance showing our new design;

FIG. 2 is a front view thereof;

FIG. 3 is a rear view thereof;

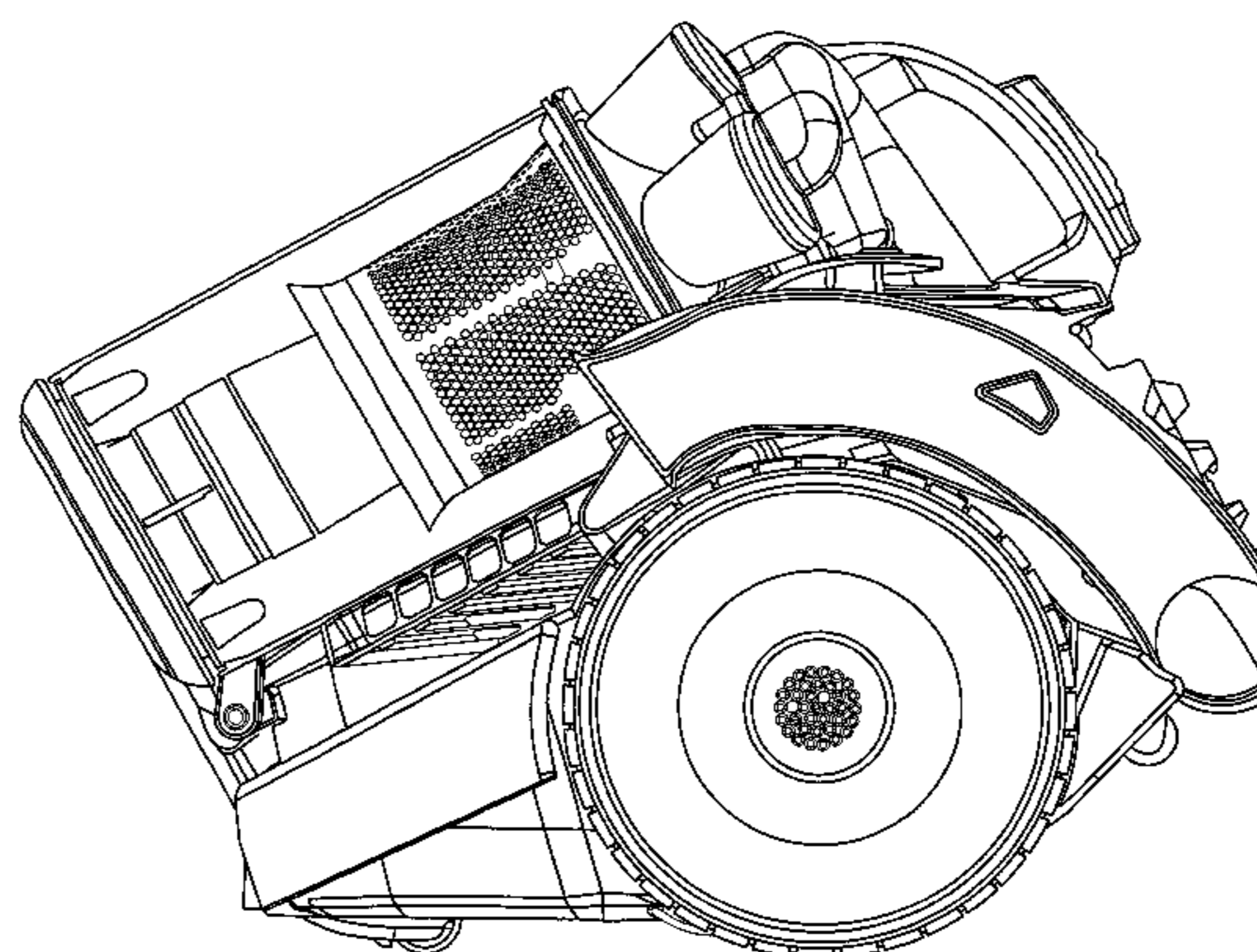
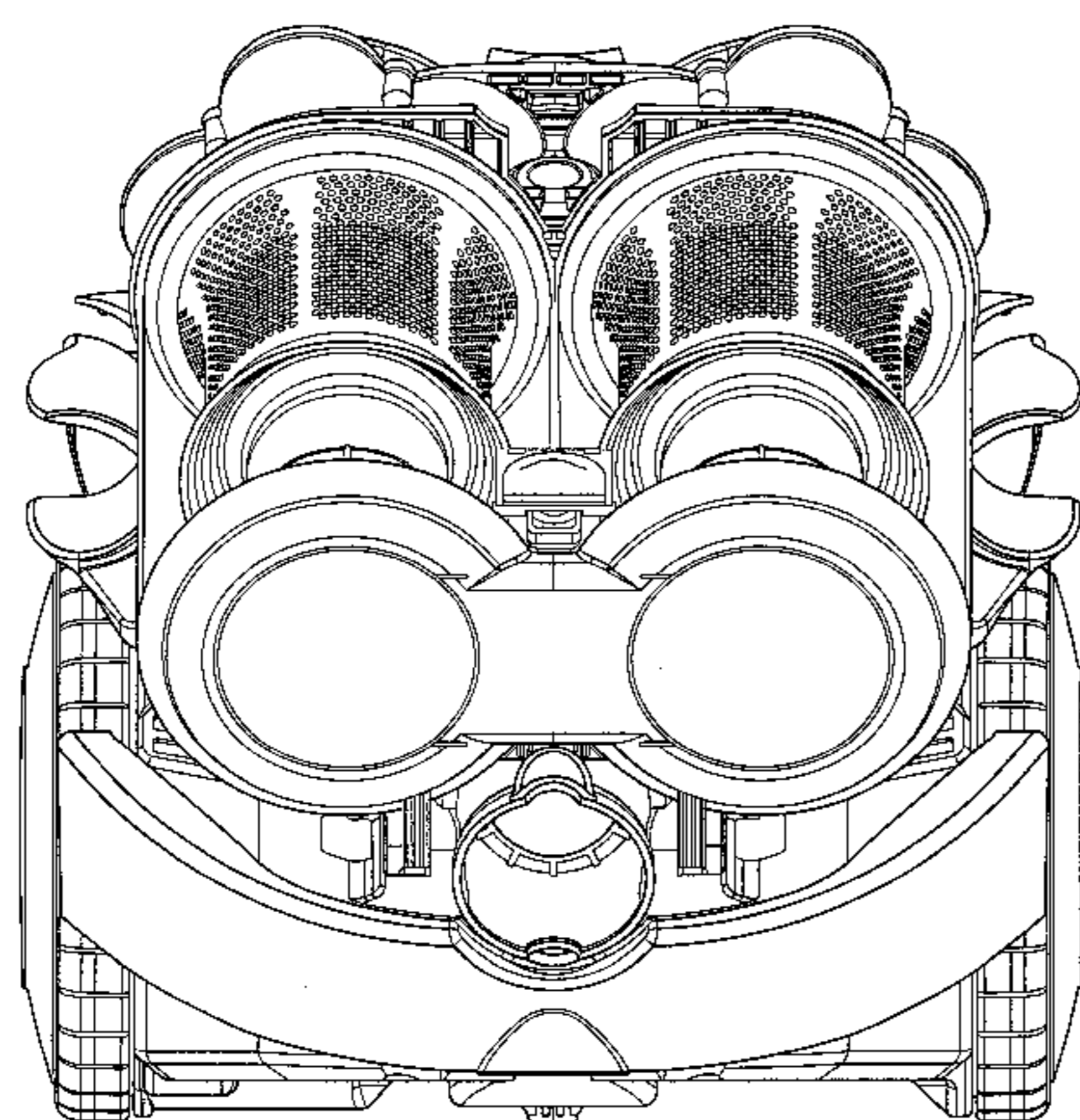
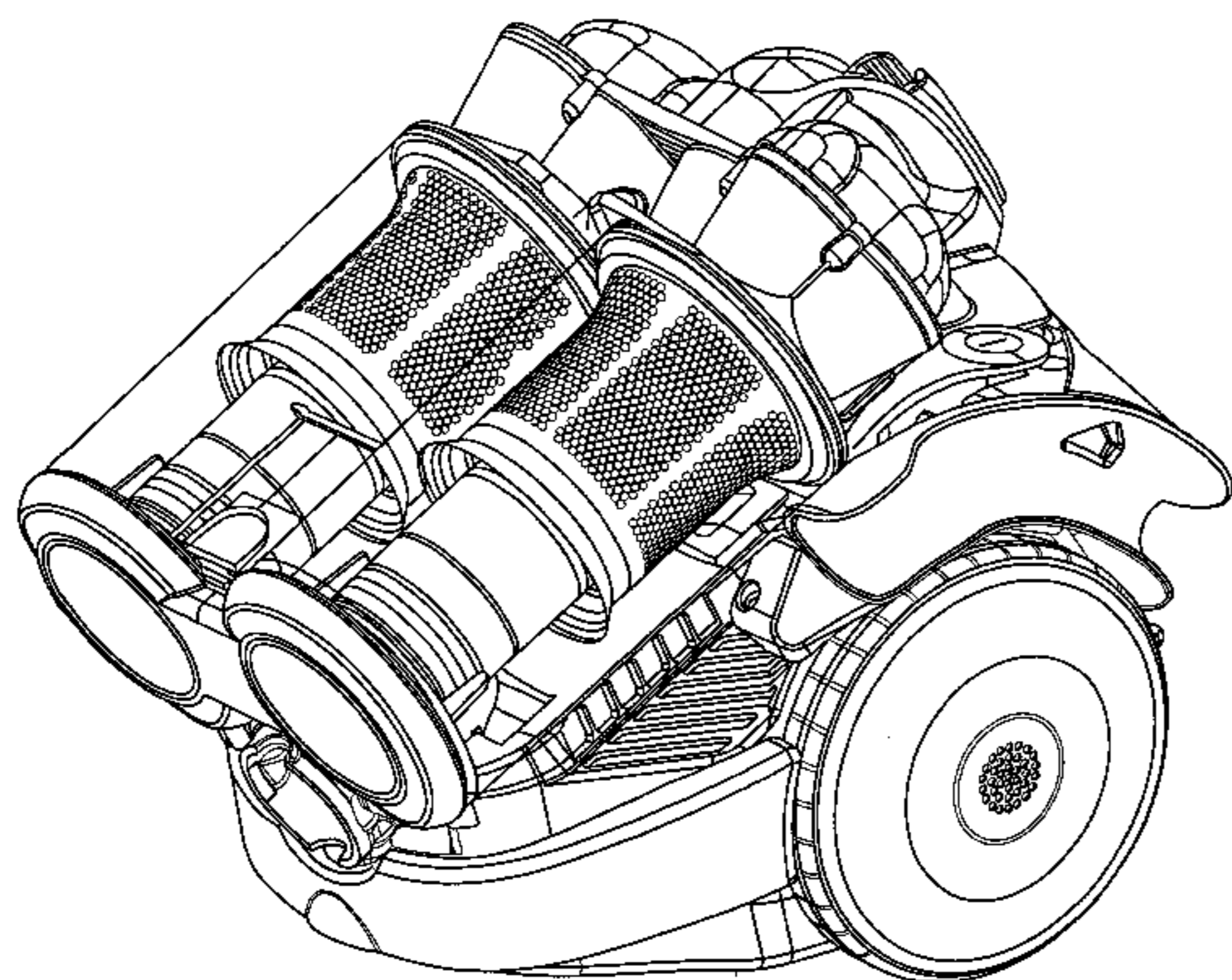
FIG. 4 is a right side view thereof;

FIG. 5 is a left side view thereof;

FIG. 6 is a top plan view thereof; and,

FIG. 7 is a bottom plan view thereof.

1 Claim, 7 Drawing Sheets



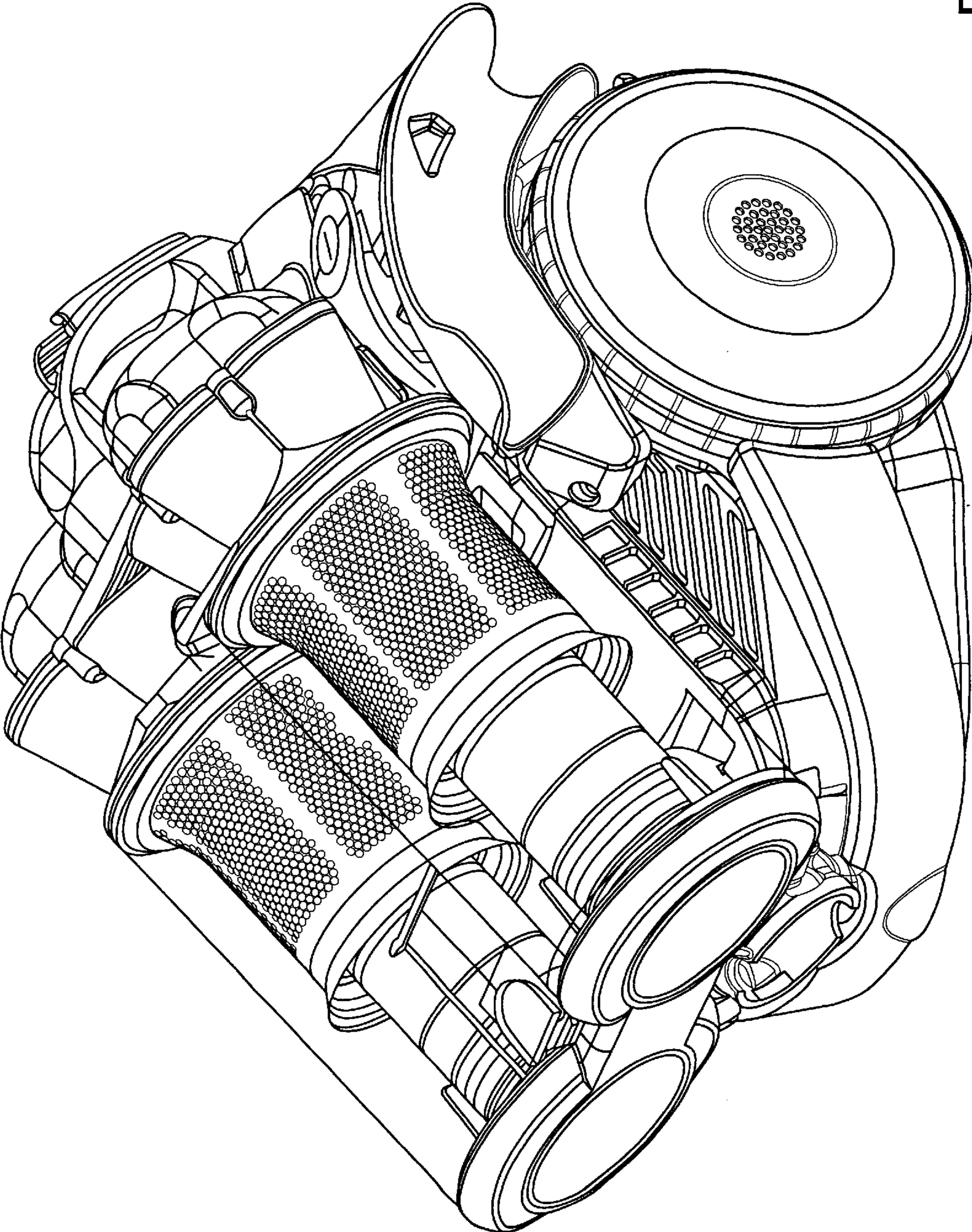


FIG.1

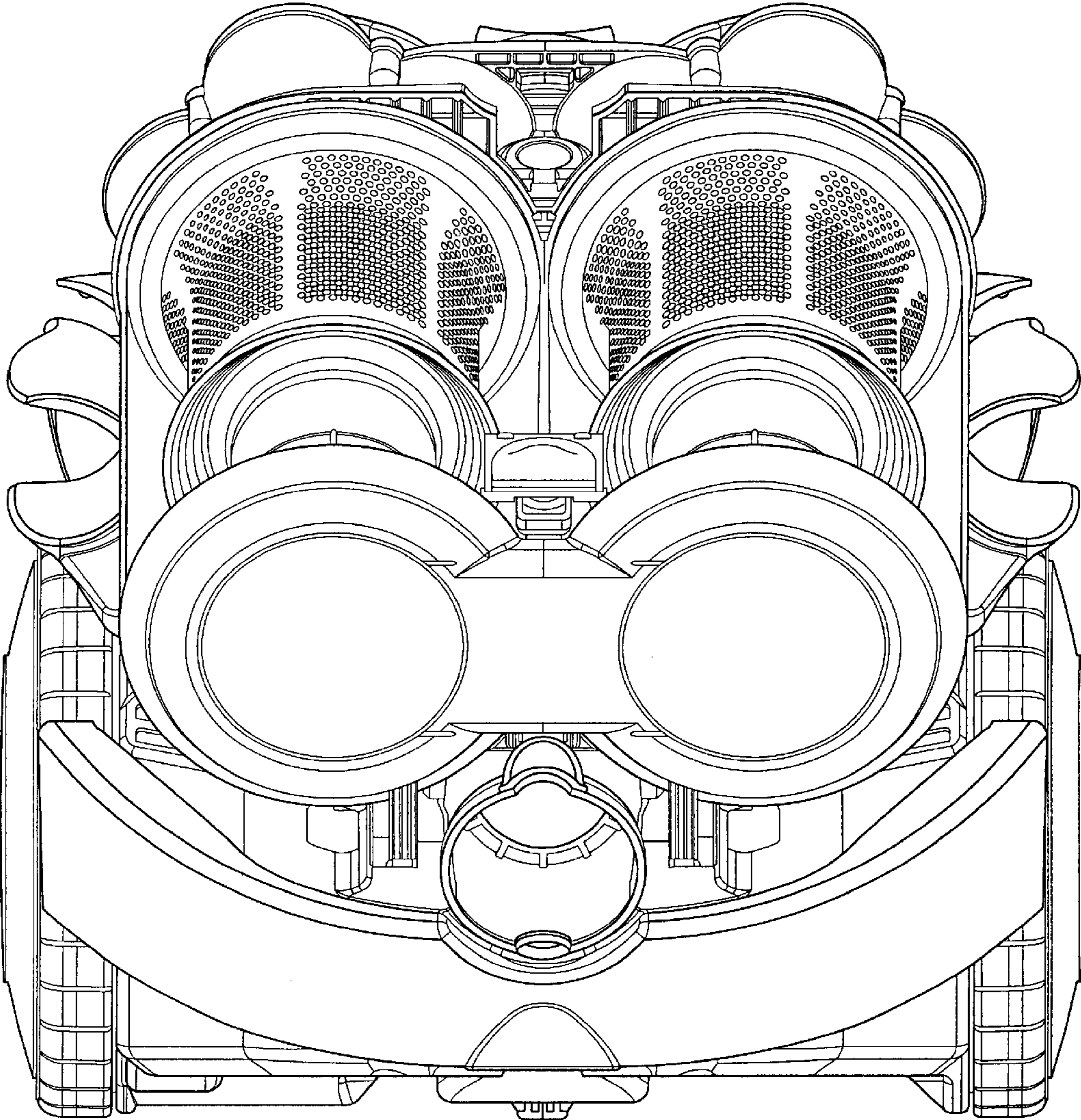


FIG.2

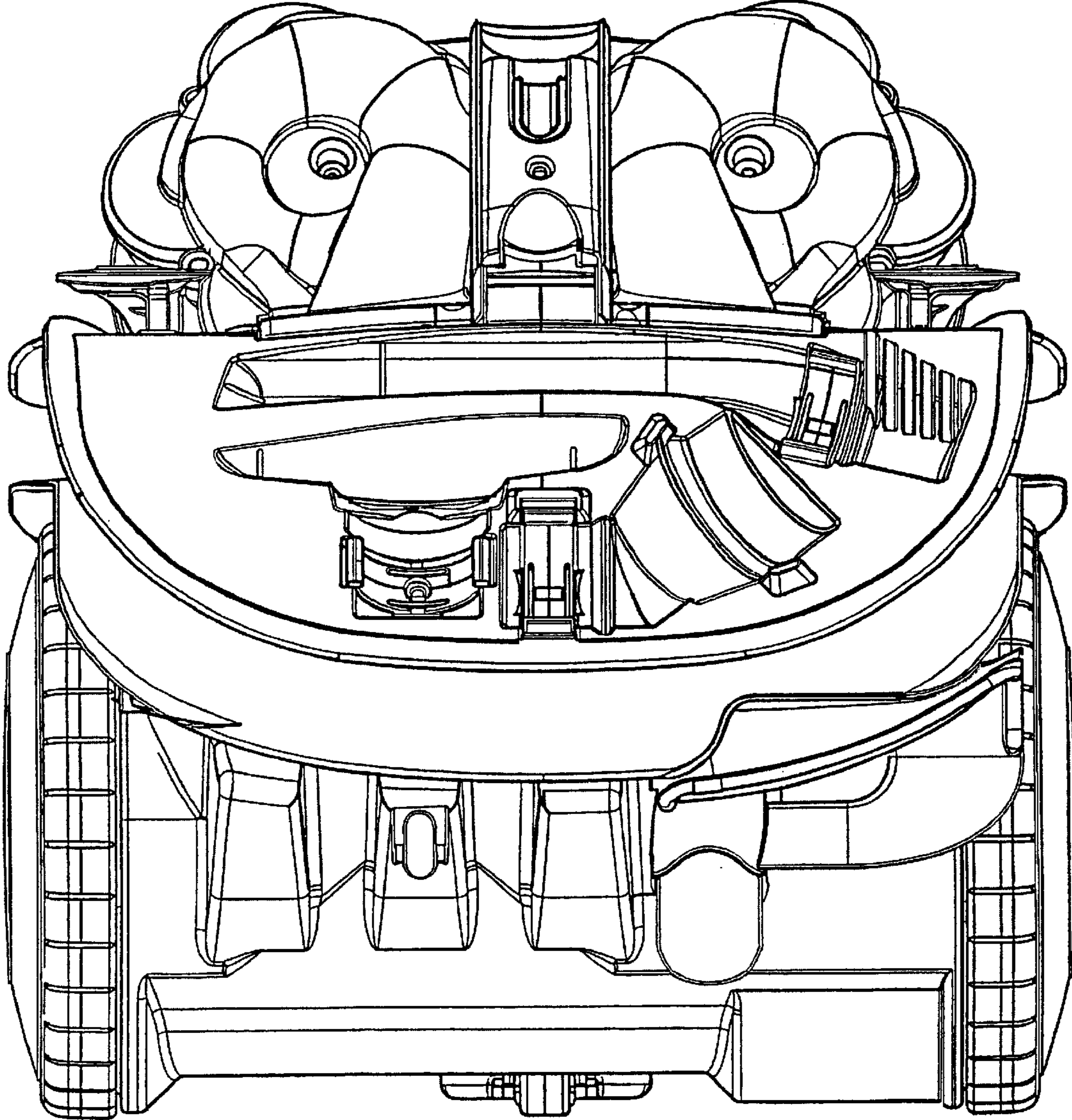


FIG. 3

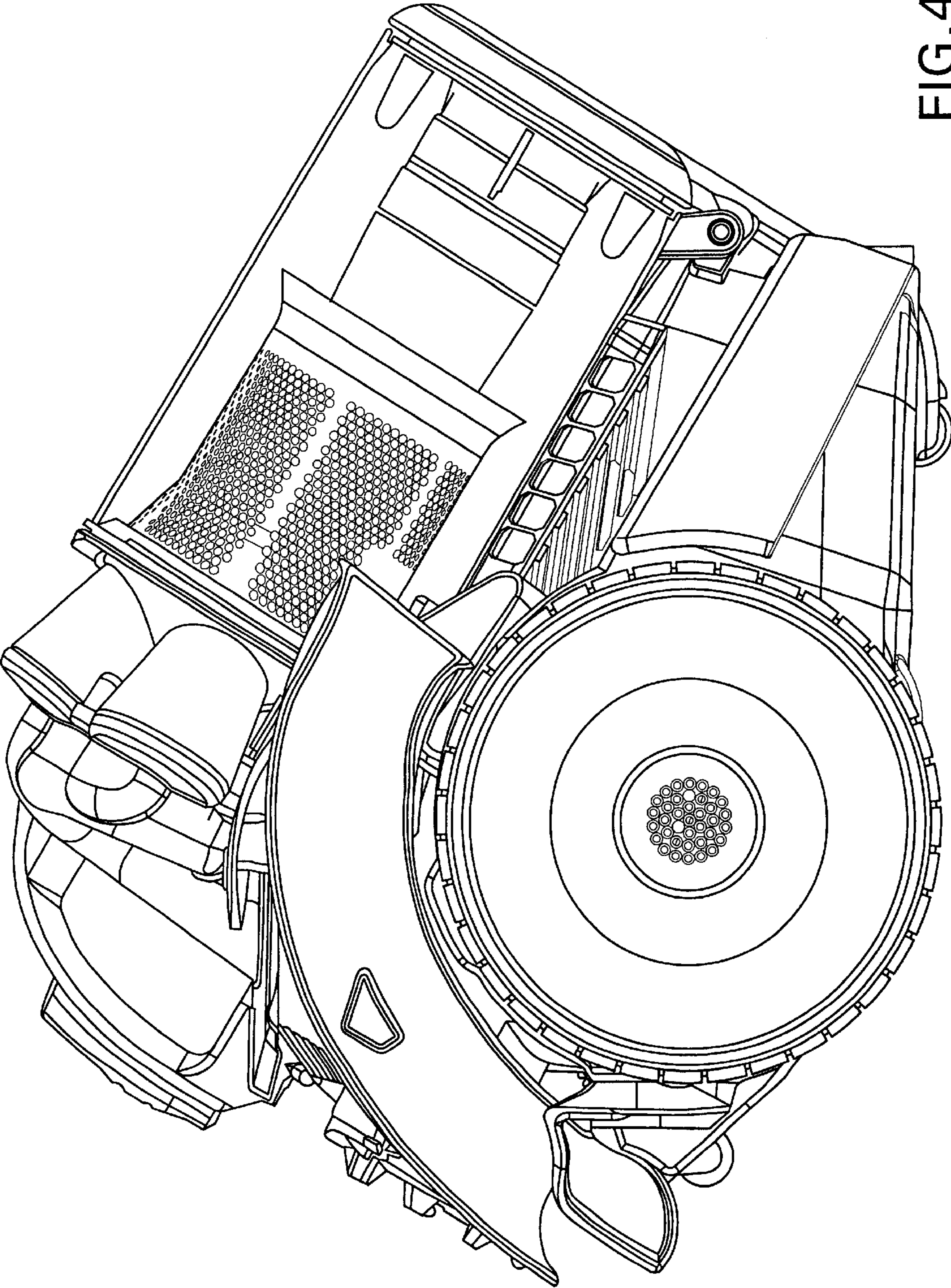


FIG. 4

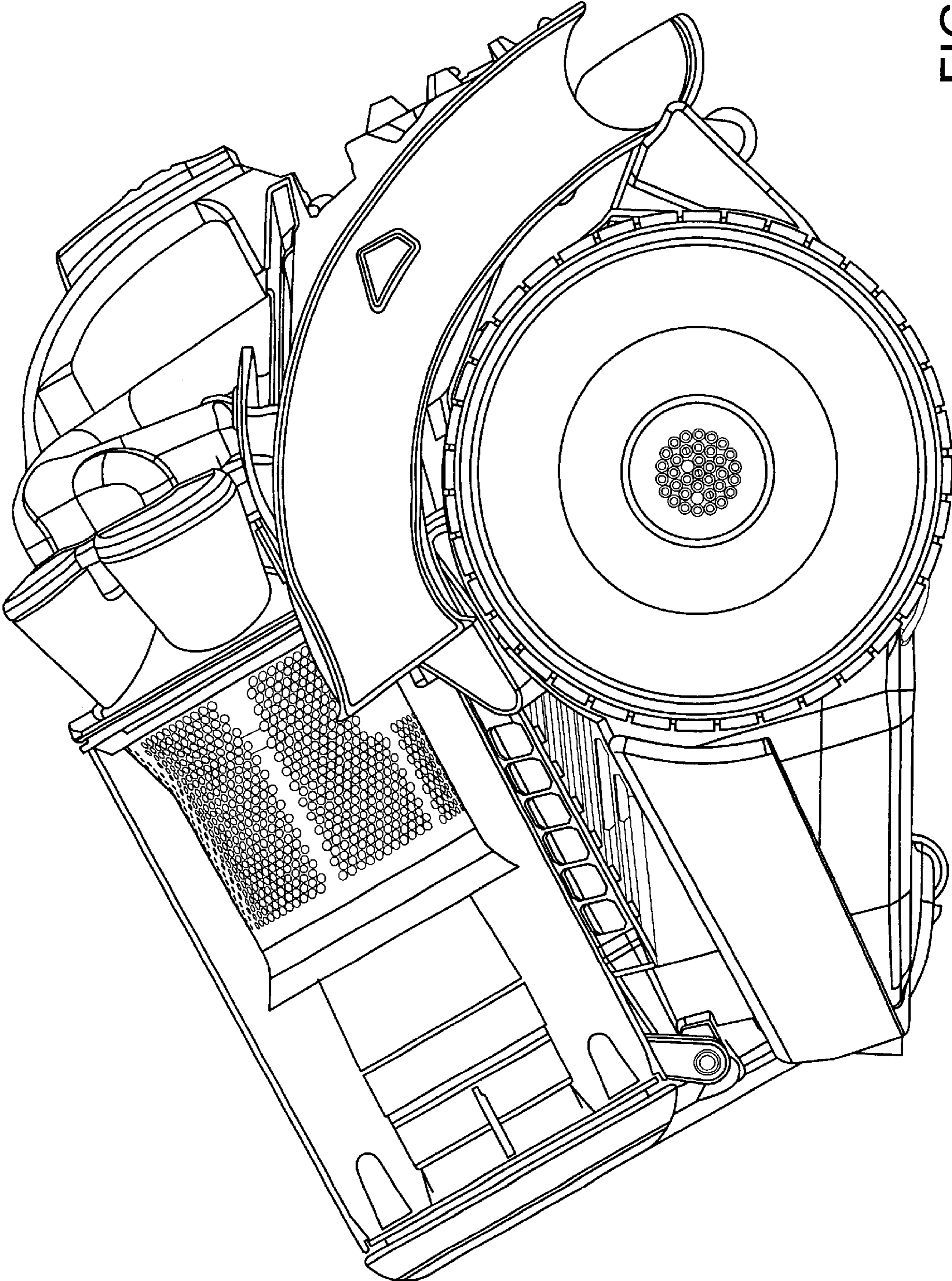


FIG. 5

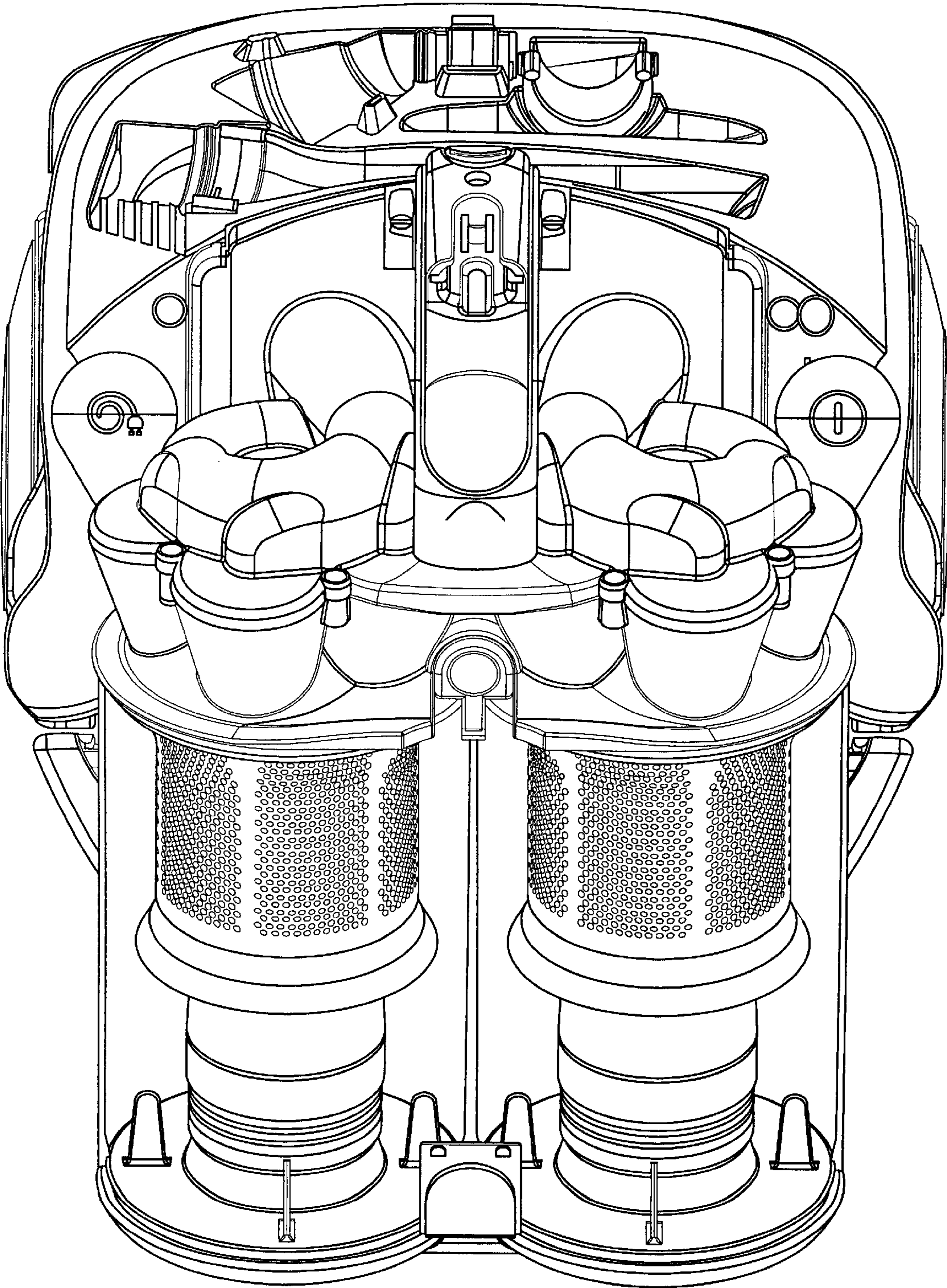


FIG. 6

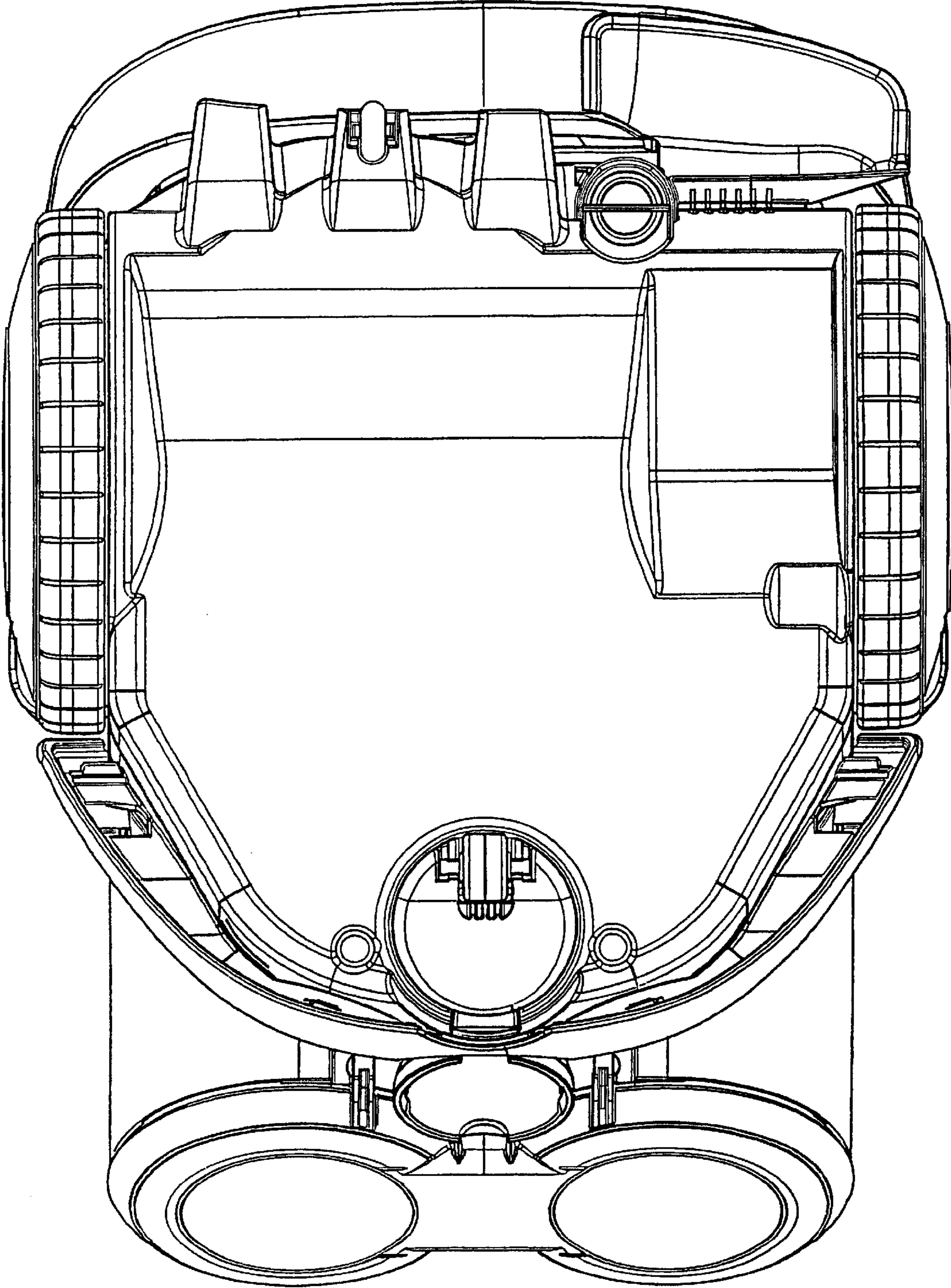


FIG. 7