

US00D505757S

(12) **United States Design Patent**
Wojcik et al.

(10) **Patent No.:** **US D505,757 S**
(45) **Date of Patent:** **** May 31, 2005**

(54) **LEASH ANCHOR AND CONTAINER SUPPORT**

(76) Inventors: **Mark Wojcik**, 1740 N. Marshfield, No. 7, Chicago, IL (US) 60622; **Justin Orenic**, 661 Glenwood Ave., Joliet, IL (US) 60435

(**) **Term:** **14 Years**

(21) **Appl. No.:** **29/210,037**

(22) **Filed:** **Jul. 26, 2004**

(51) **LOC (7) Cl.** **30-09**

(52) **U.S. Cl.** **D30/154**; 119/786

(58) **Field of Search** D30/154; 119/786-788, 119/791; 135/118; 248/545, 518, 519-521, 530; 52/155-59, 165

(56) **References Cited**

U.S. PATENT DOCUMENTS

601,952 A	4/1898	Day	119/782
812,157 A	2/1906	Thompson	119/69
2,484,263 A	10/1949	Atkinson	119/121
2,584,301 A	2/1952	Sinclair	119/61
2,887,988 A	5/1959	Cottongim	119/51
3,810,445 A	5/1974	Stadler	119/26
4,011,951 A	3/1977	Boyer	211/85.21
4,205,629 A	6/1980	Wix	119/51.5
4,334,503 A	6/1982	Carey, Jr.	119/786
4,545,730 A	10/1985	Lubke	119/117
4,796,566 A	1/1989	Daniels	119/124
5,022,351 A	6/1991	Daniels	119/124
5,031,577 A	7/1991	Flugger	119/117
5,088,448 A	2/1992	Gladding	119/786
5,113,627 A *	5/1992	Jarrett, Sr.	52/157
5,148,626 A	9/1992	Haake, Sr.	43/121
5,161,487 A	11/1992	Miller	119/786
5,165,365 A	11/1992	Thompson	119/61

5,353,747 A	10/1994	Fain	119/780
5,732,659 A	3/1998	Wiggins	119/787
6,272,798 B1 *	8/2001	Cockman	52/155
6,401,656 B1	6/2002	Adkisson	119/51.01
D477,118 S *	7/2003	Kirch et al.	D30/154

FOREIGN PATENT DOCUMENTS

WO WO 0228170 A1 4/2002 A01K/01/04

* cited by examiner

Primary Examiner—Stella Reid
Assistant Examiner—Susan M Lee
(74) *Attorney, Agent, or Firm*—Trexler, Bushnell, Giangiorgi, Blackstone & Marr, Ltd.

(57) **CLAIM**

We claim the ornamental design for the leash anchor and container support, as shown and described.

DESCRIPTION

FIG. 1 is a perspective view of the leash anchor and container support according to our design; FIG. 2 is a front elevational view of the leash anchor and container support according to our design; FIG. 3 is a rear elevational view of the leash anchor and container support according to our design; FIG. 4 is one side elevational view of the leash anchor and container support according to our design; FIG. 5 is the other side elevational view of the leash anchor and container support according to our design; FIG. 6 is a top plan view of the leash anchor and container support according to our design; and, FIG. 7 is a bottom plan view of the leash anchor and container support according to our design. The broken line showing is for illustrative purposes only and forms no part of the claimed design.

1 Claim, 5 Drawing Sheets

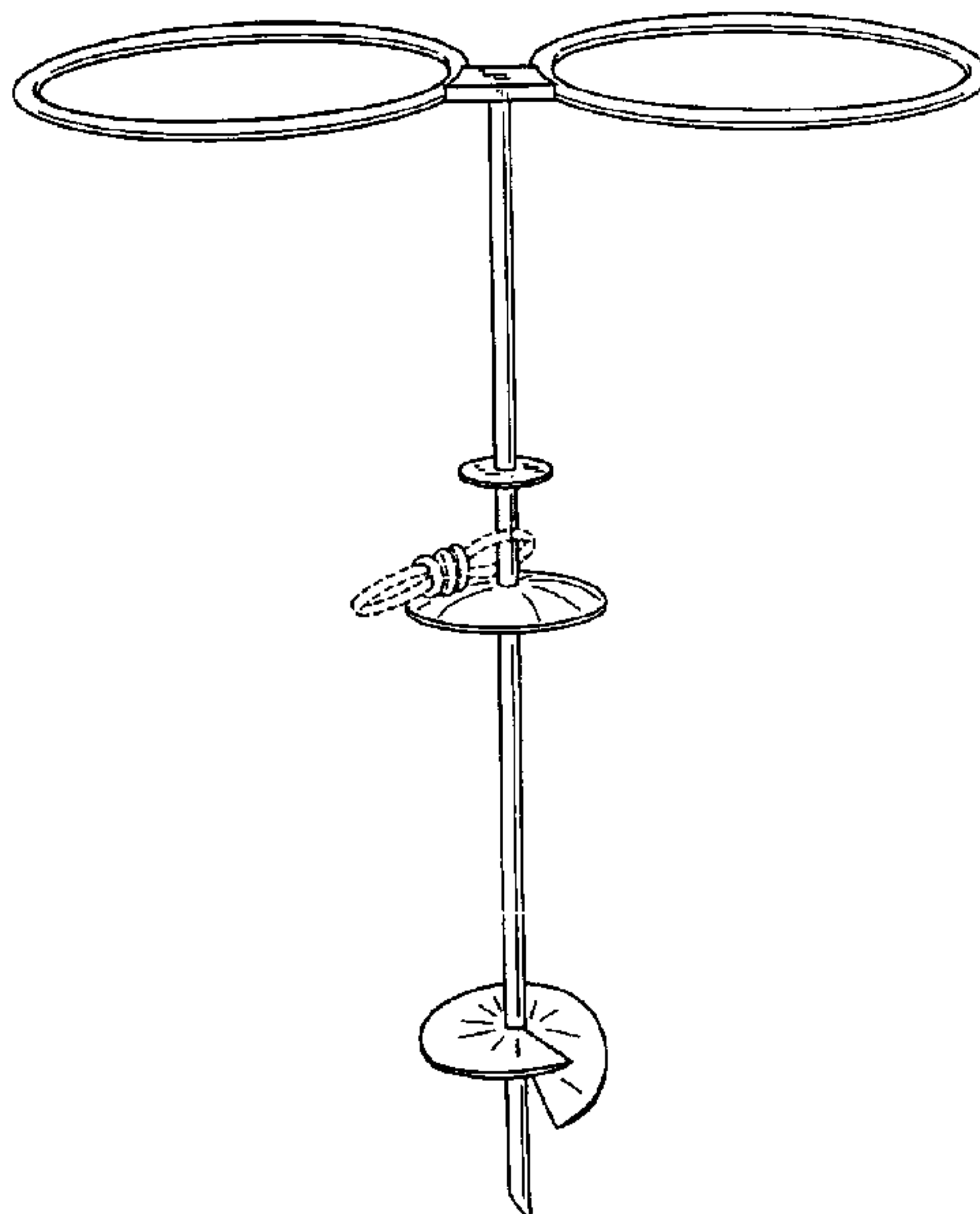


FIG. 1

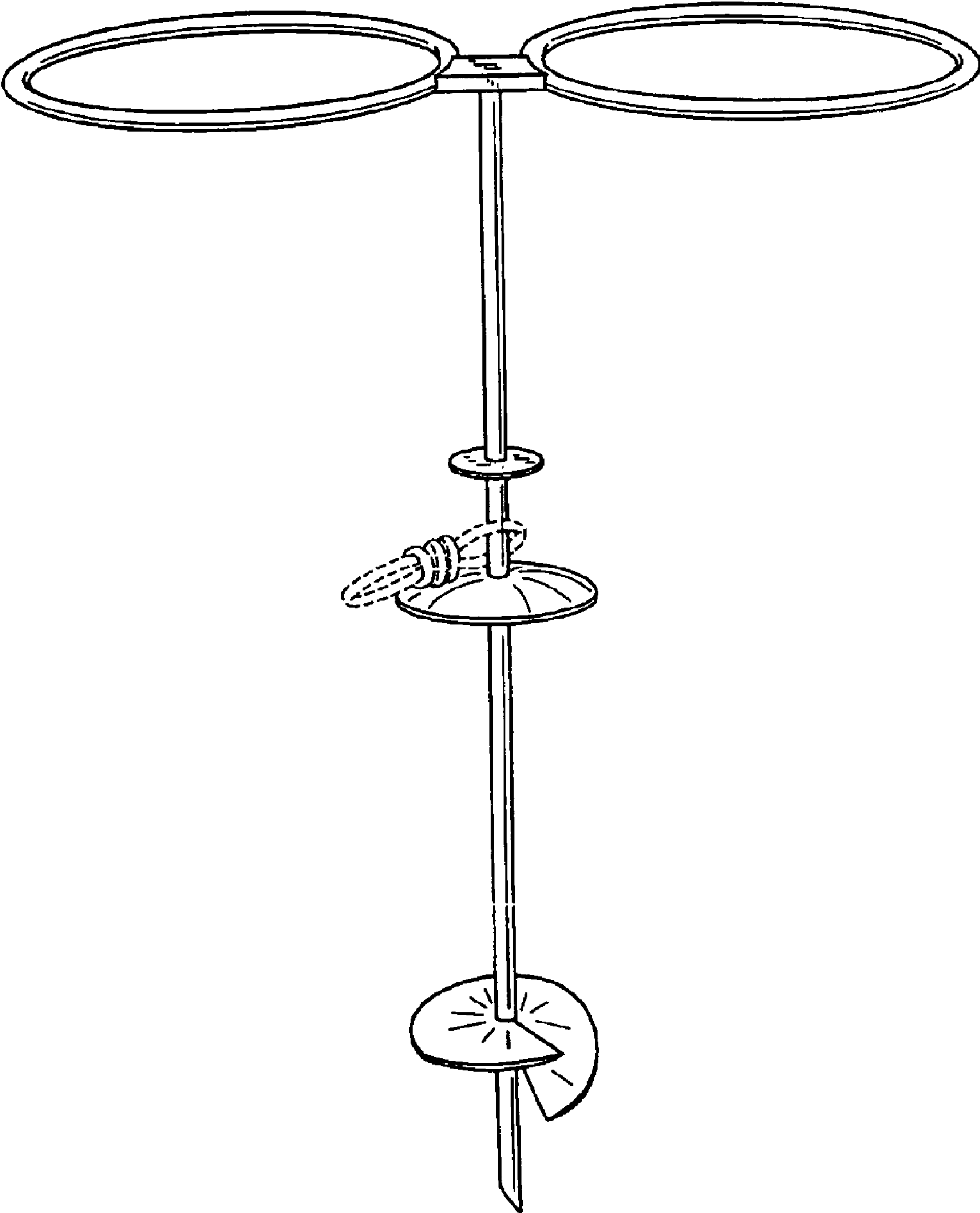


FIG. 2

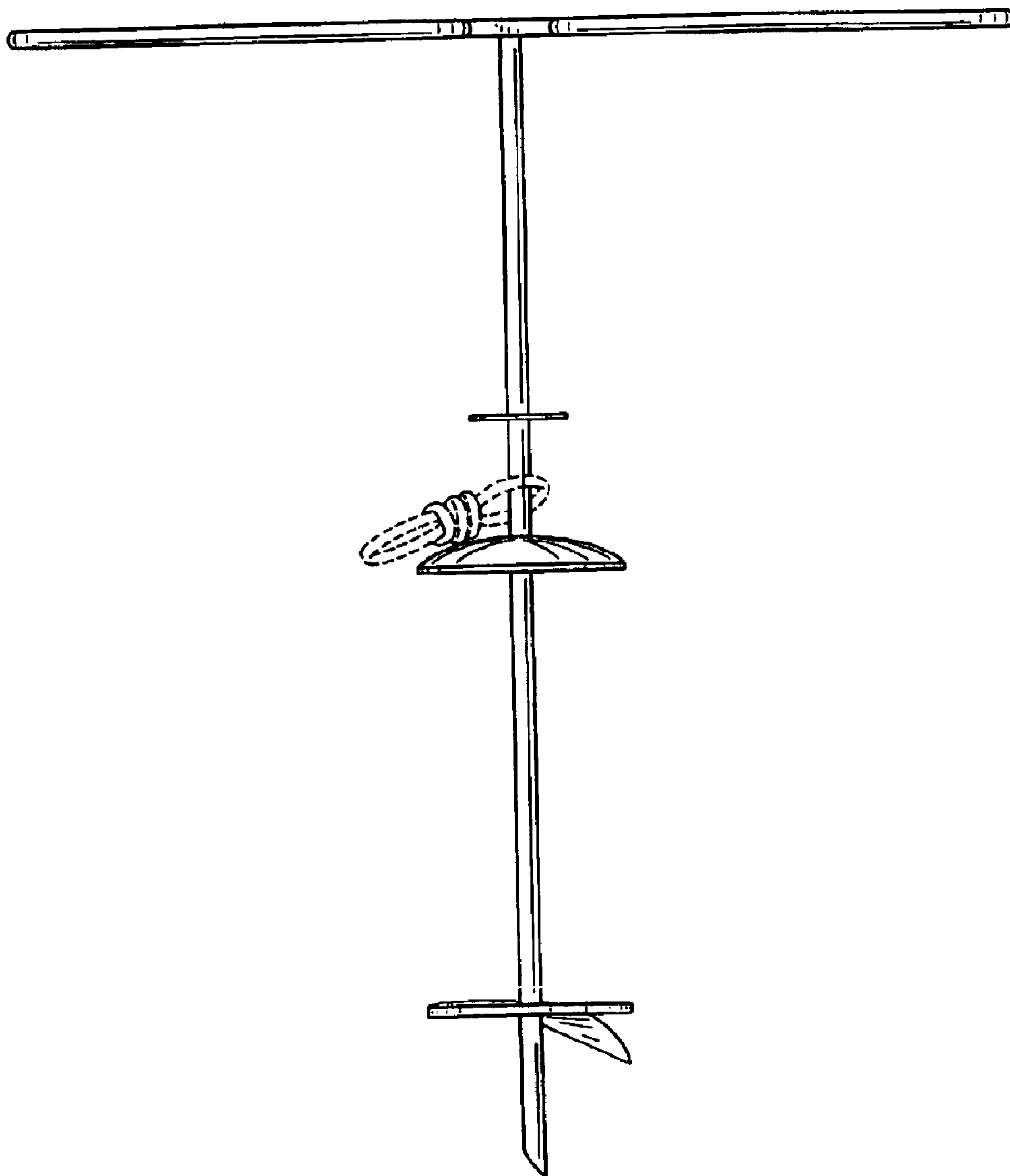


FIG. 3

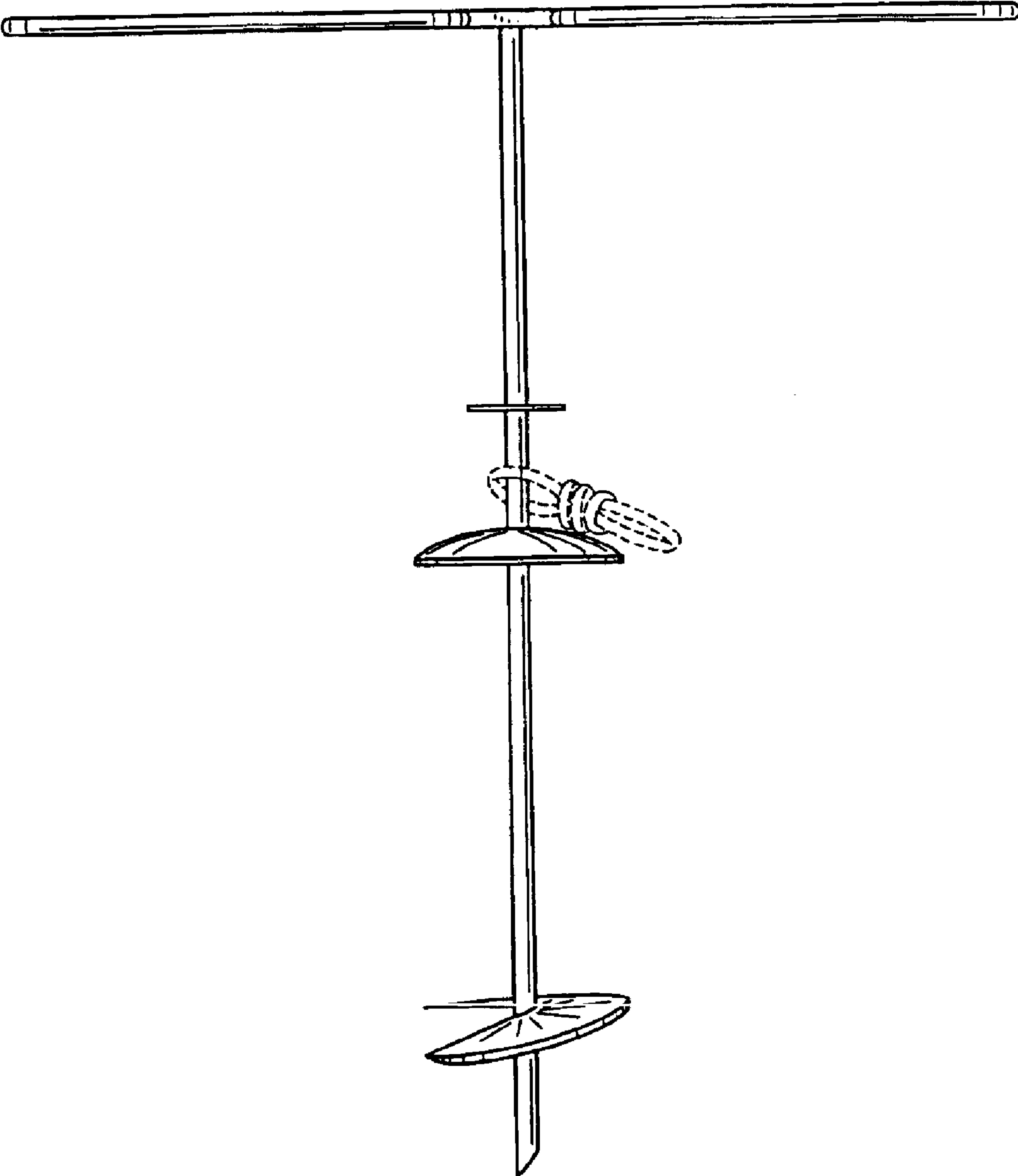


FIG. 4

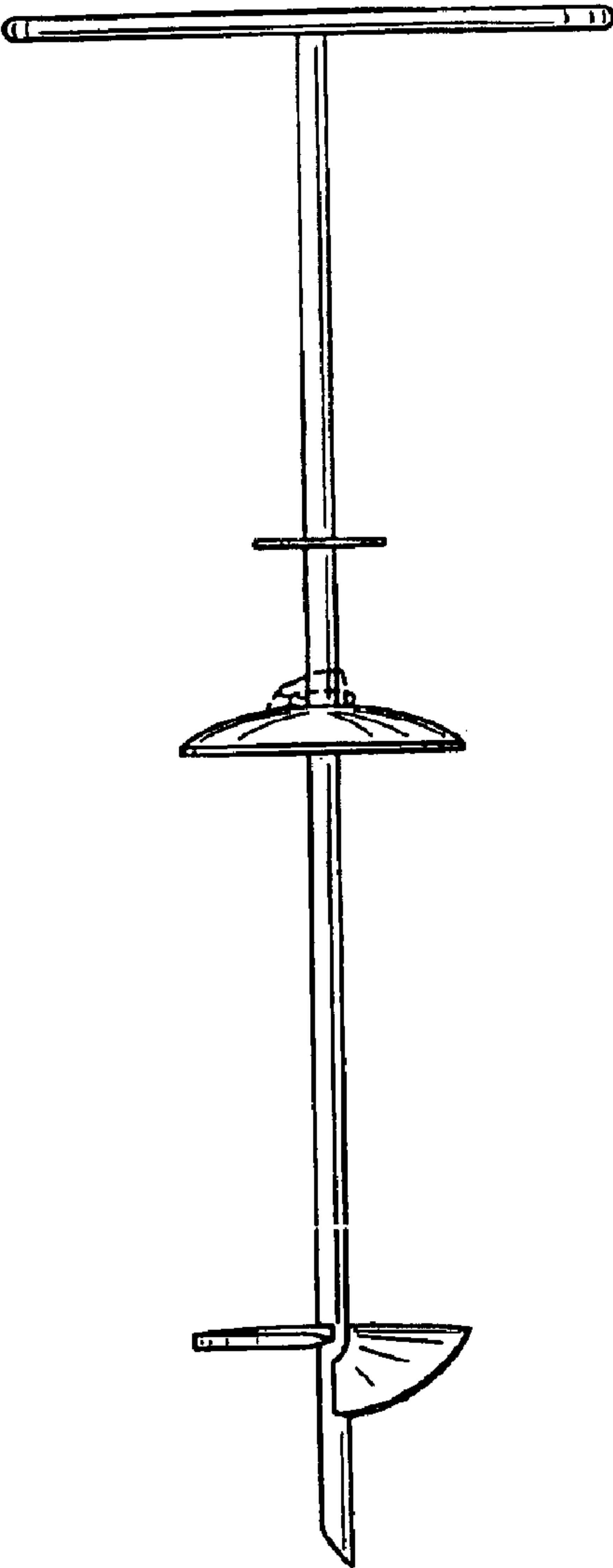


FIG. 5

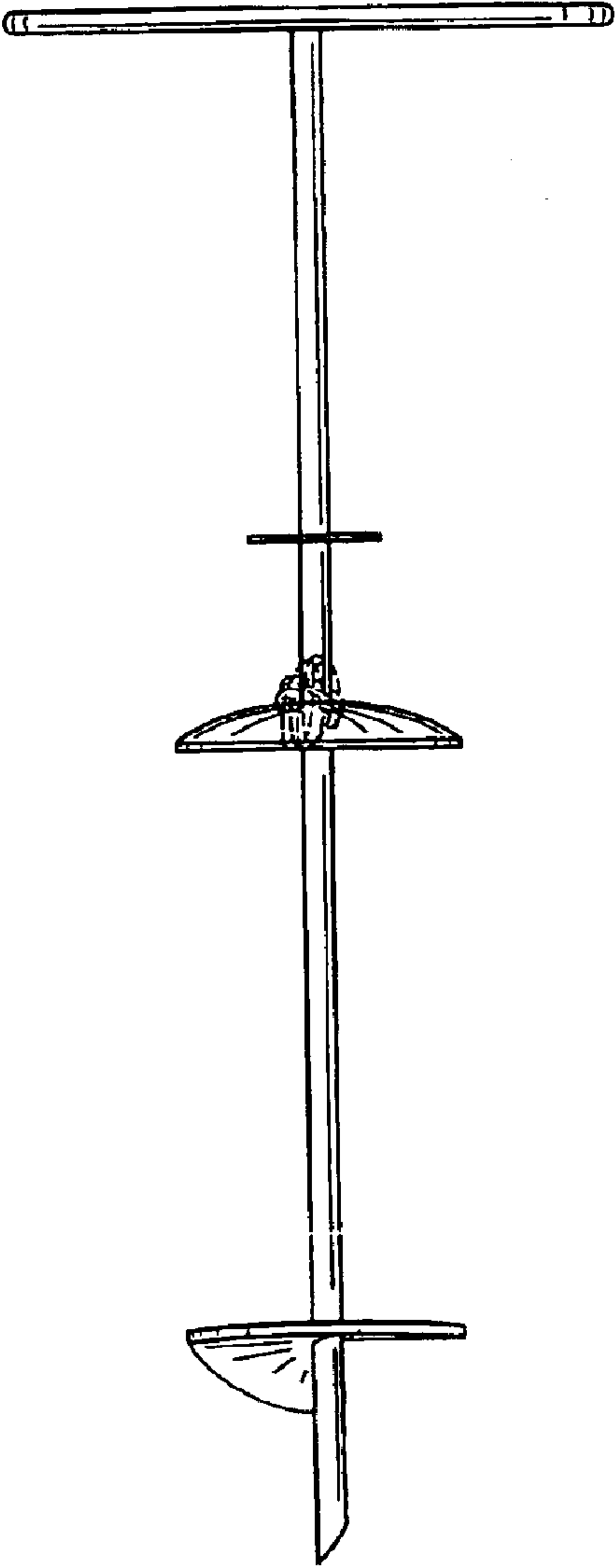


FIG. 6

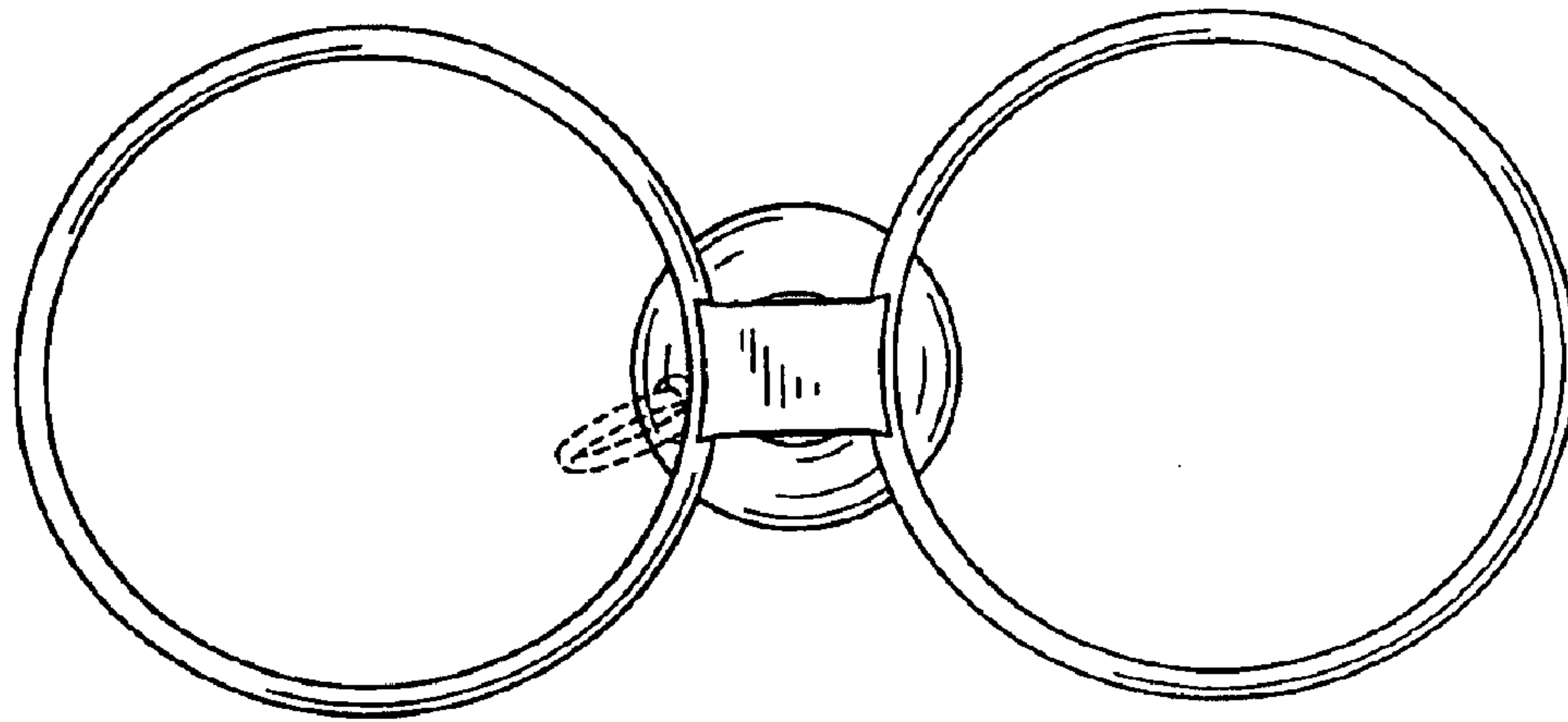
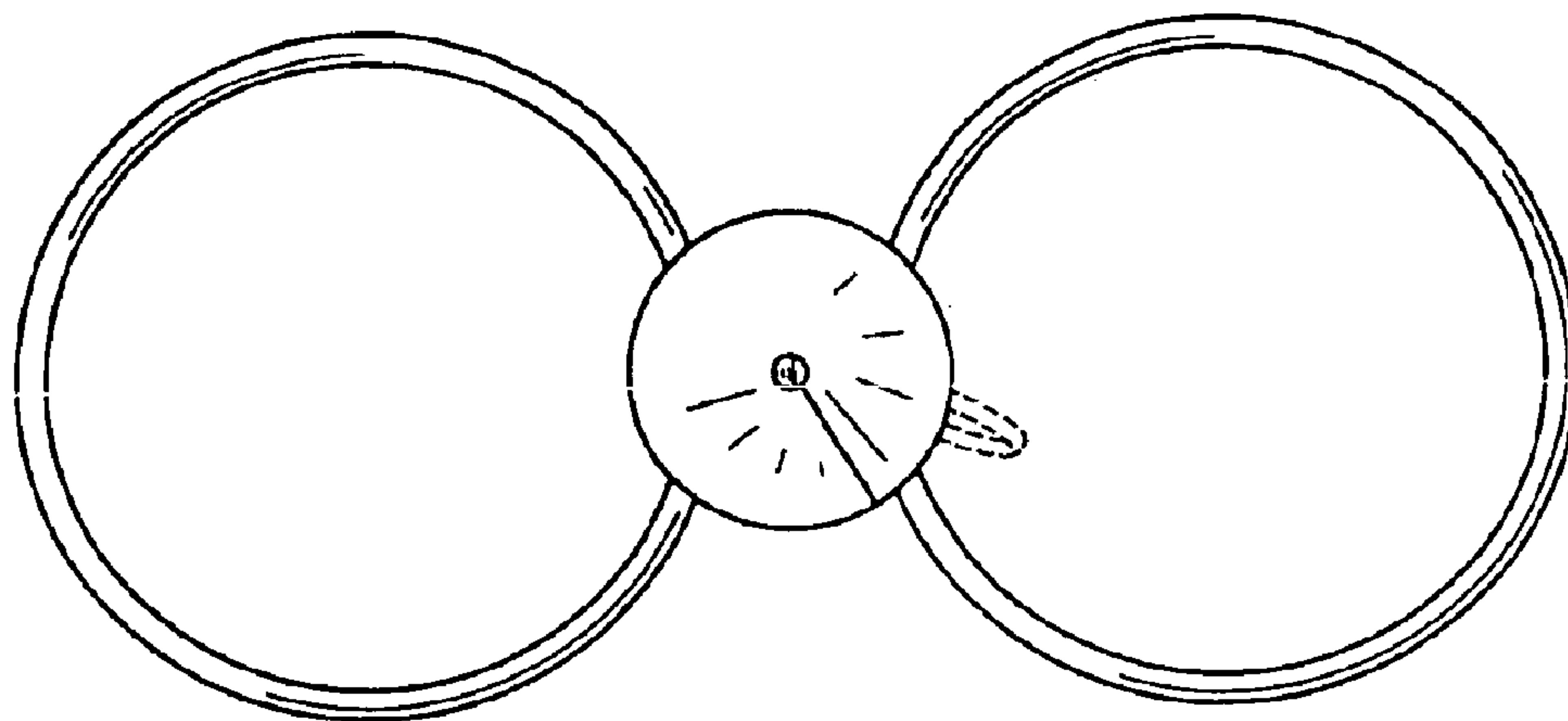


FIG. 7



UNITED STATES PATENT AND TRADEMARK OFFICE
CERTIFICATE OF CORRECTION

PATENT NO. : Des. 505,757 S
DATED : May 31, 2005
INVENTOR(S) : Mark Wojcik and Justin Orenic

Page 1 of 1

It is certified that error appears in the above-identified patent and that said Letters Patent is hereby corrected as shown below:

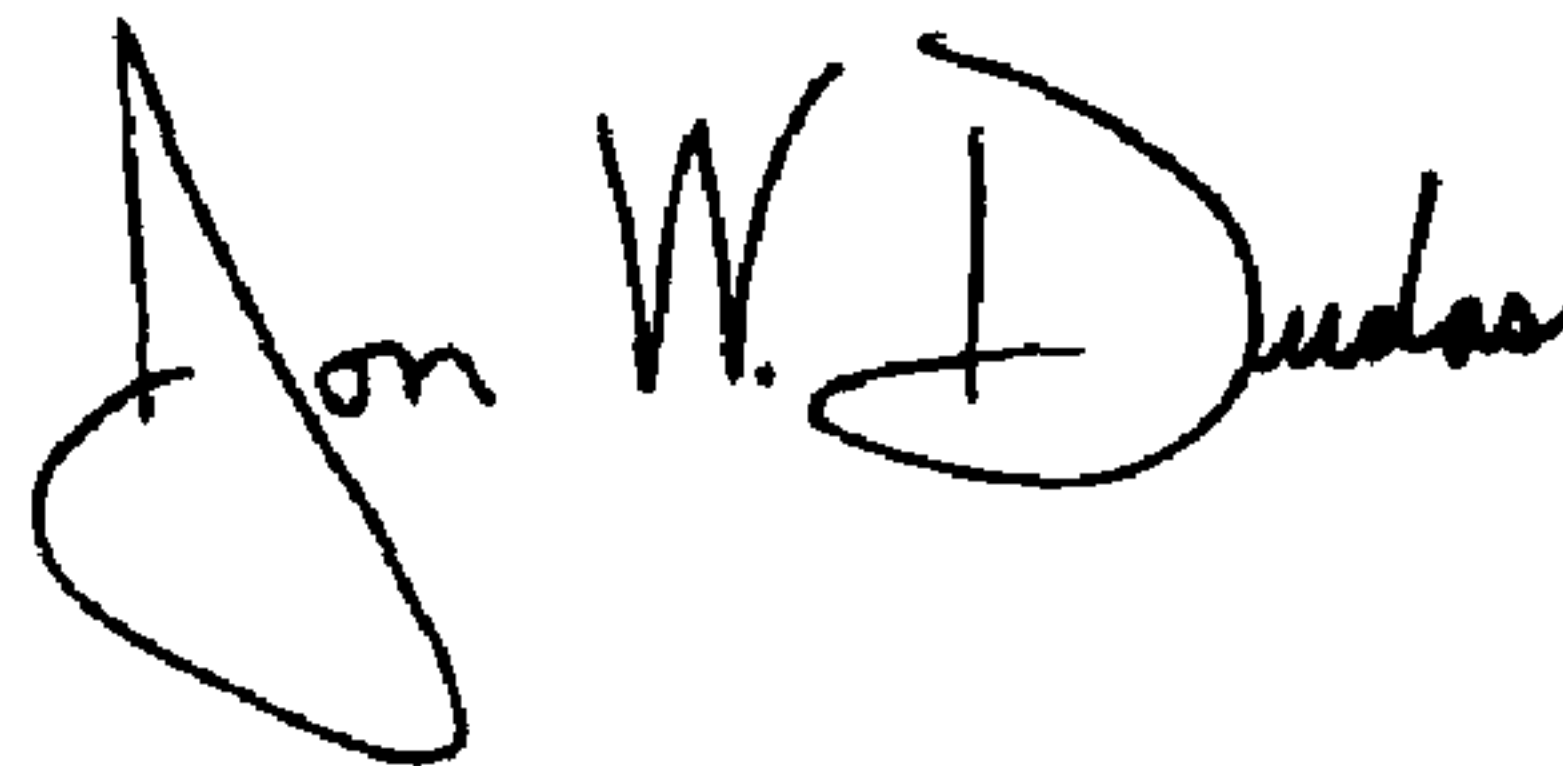
Title page,

Item [56], **References Cited**, U.S. PATENT DOCUMENTS,

“4,545,730 A 10/1985 Lübke 119/117” should be
-- 4,546,730 A 10/1985 Holland 119/117 --

Signed and Sealed this

Nineteenth Day of July, 2005



JON W. DUDAS

Director of the United States Patent and Trademark Office