



US00D505754S

(12) **United States Design Patent**
Cohen-Fyffe

(10) **Patent No.: US D505,754 S**

(45) **Date of Patent: ** May 31, 2005**

(54) **SHOPPING CART SEAT COVER FOR PETS**

(76) **Inventor: Melissa Cohen-Fyffe, 77 Jericho Rd., Pelham, NH (US) 03076**

(**) **Term: 14 Years**

(21) **Appl. No.: 29/195,603**

(22) **Filed: Dec. 15, 2003**

(51) **LOC (7) Cl. 30-06**

(52) **U.S. Cl. D30/118**

(58) **Field of Search** D30/118, 161; 119/28.5, 161, 163-170, 482, 484, 496-498; 296/39.1, 184.1; D6/333, 382, 388-389, 392-393, 596, 601, 611; 5/94, 414, 417, 420, 603, 655, 907, 922; 297/219.12, 229, 452.16, 452.17

(56) **References Cited**

U.S. PATENT DOCUMENTS

5,106,155	A	*	4/1992	Luehring	297/452.17
5,238,293	A	*	8/1993	Gibson	297/229
D339,950	S	*	10/1993	Jung	D6/601
D353,494	S	*	12/1994	Beger	D6/333
D366,368	S	*	1/1996	McCarthy	D6/333
5,482,352	A	*	1/1996	Leal et al.	297/219.12
5,551,373	A	*	9/1996	O'Donnell	119/28.5
D400,313	S	*	10/1998	Chatwell	D30/118
D414,003	S	*	9/1999	Hering	D30/118
5,967,607	A	*	10/1999	Waldroup	297/219.12
6,036,264	A	*	3/2000	Lucree	297/219.12
6,129,417	A	*	10/2000	Cohen-Fyffe	297/219.12
D440,805	S	*	4/2001	Rogone et al.	D6/601
6,224,152	B1	*	5/2001	Hughes et al.	297/219.12

6,237,998	B1	*	5/2001	Aprile	297/219.12
6,428,098	B1	*	8/2002	Allbaugh	297/219.12
6,574,810	B2	*	6/2003	Mangiaracina	D30/118

* cited by examiner

Primary Examiner—Cathy Anne MacCormac

(74) *Attorney, Agent, or Firm*—Pandiscio & Pandiscio, P.C.

(57) **CLAIM**

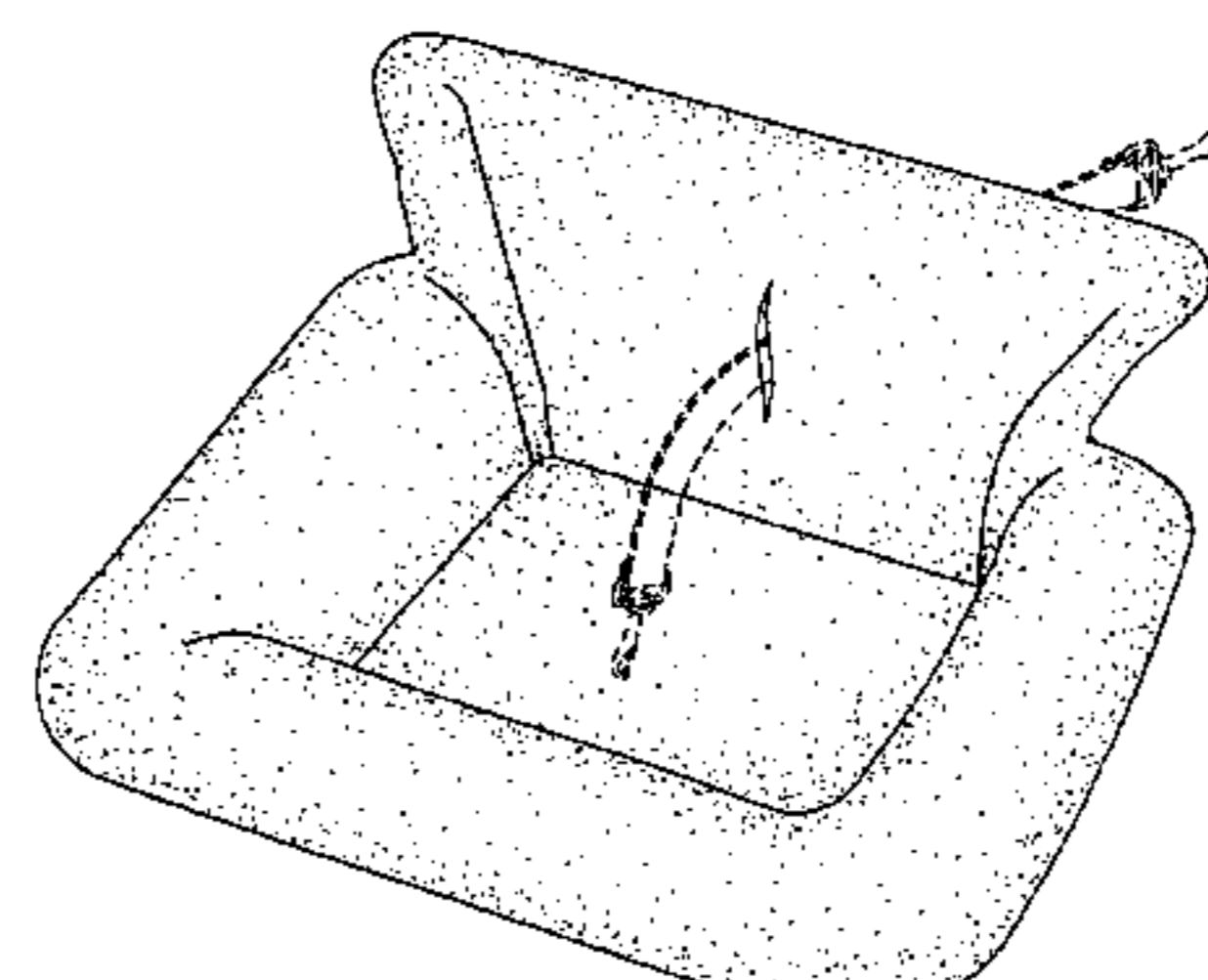
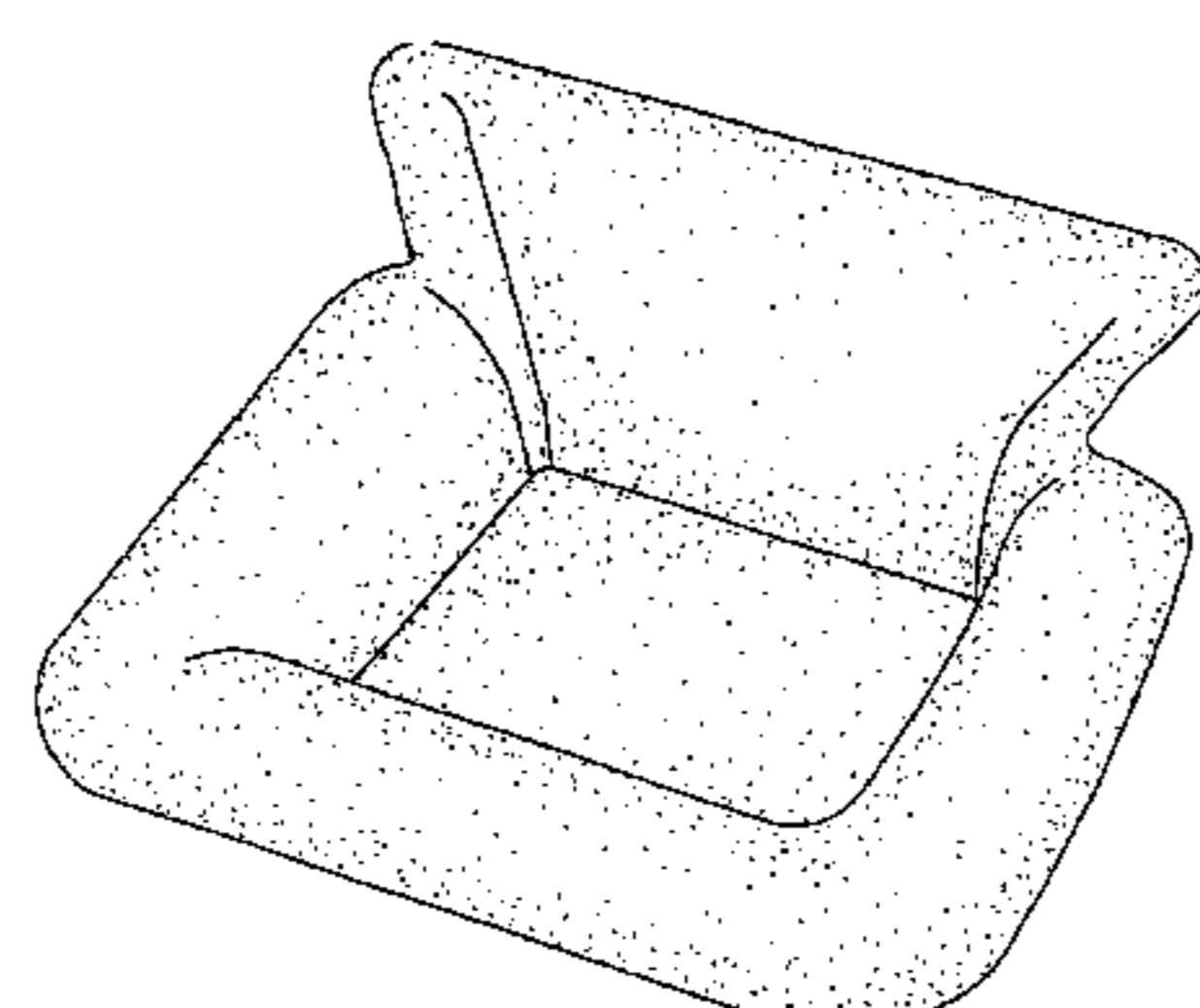
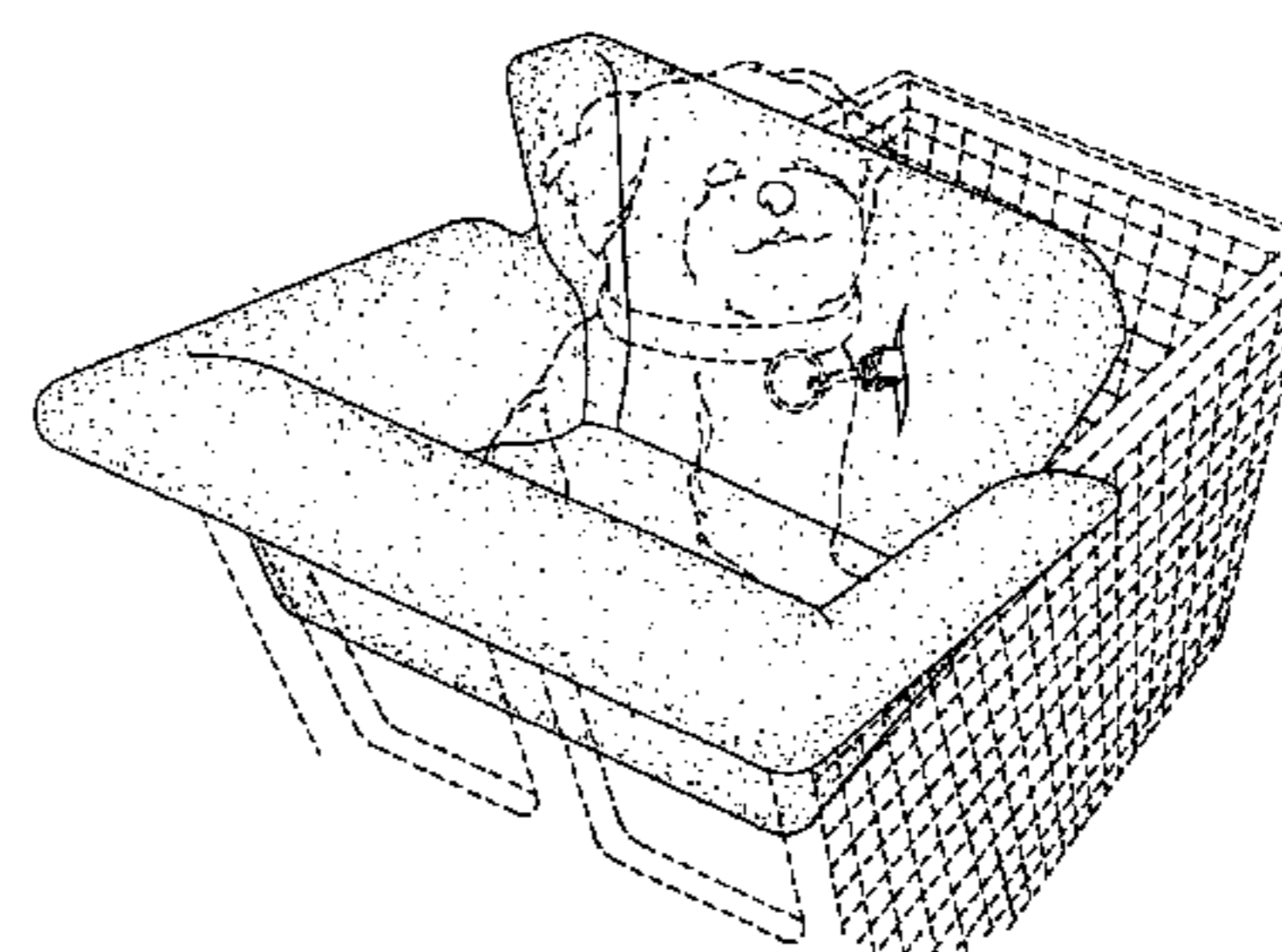
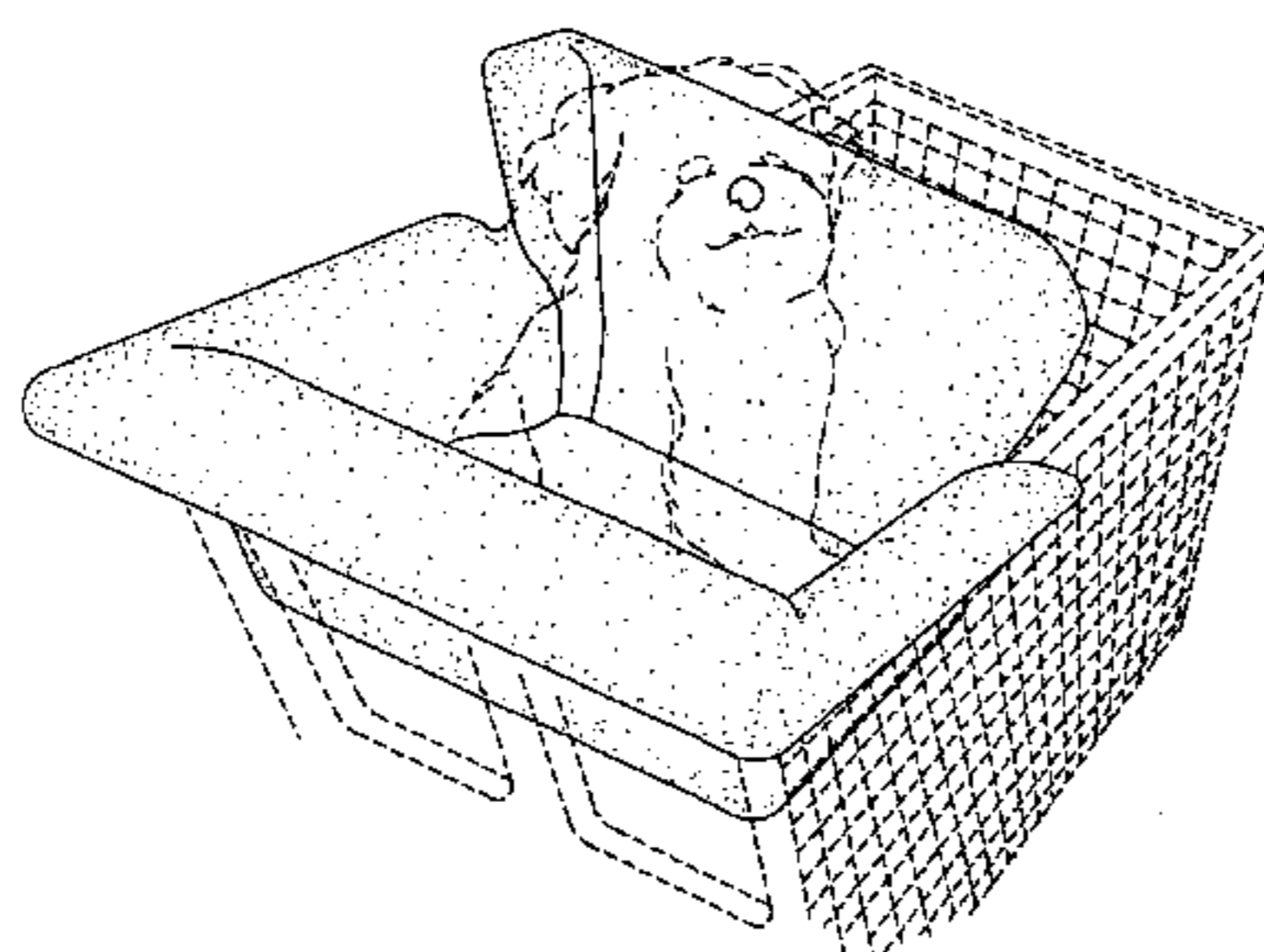
The ornamental design for a shopping cart seat cover for pets, as shown and described.

DESCRIPTION

FIG. 1 is a perspective view of a shopping cart seat cover for pets showing my new design;
 FIG. 2 is another perspective view thereof;
 FIG. 3 is a top plan view thereof;
 FIG. 4 is a bottom plan view thereof;
 FIG. 5 is a front elevational view thereof;
 FIG. 6 is a rear elevational view thereof;
 FIG. 7 is a right side elevational view thereof;
 FIG. 8 is a left side elevational view thereof;
 FIG. 9 is a perspective view of a second embodiment of FIG. 1 shown with alternate environment;
 FIG. 10 is another perspective view of FIG. 9;
 FIG. 11 is a top plan view of FIG. 9;
 FIG. 12 is a bottom plan view of FIG. 9;
 FIG. 13 is a front elevational view of FIG. 9;
 FIG. 14 is a rear elevational view of FIG. 9;
 FIG. 15 is a right side elevational view of FIG. 9; and,
 FIG. 16 is a left side elevational view of FIG. 9.

The broken lines in FIGS. 1, 9 and 10 are for illustrative purposes only and form no part of the claimed design.

1 Claim, 10 Drawing Sheets



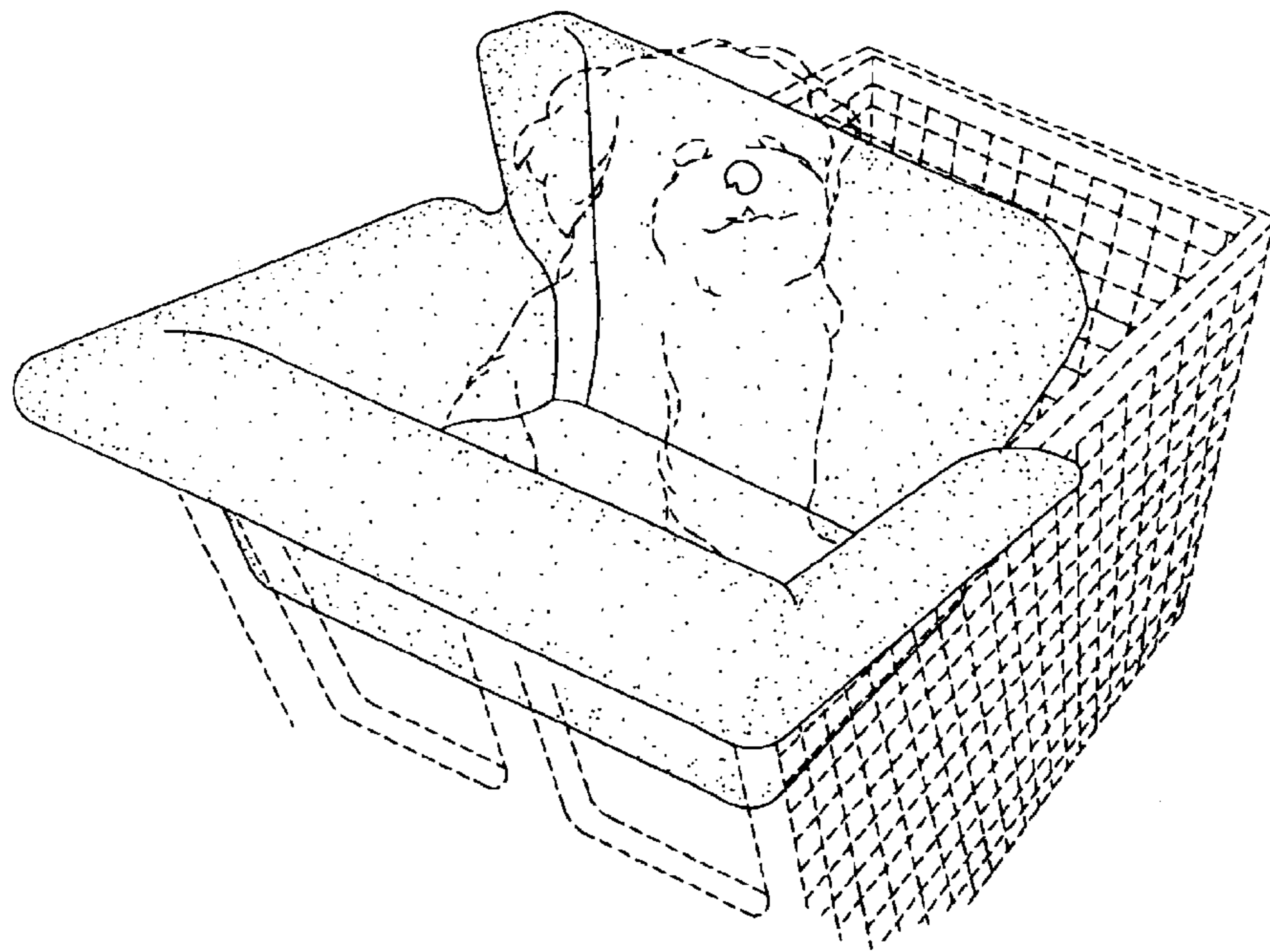


FIG. 1

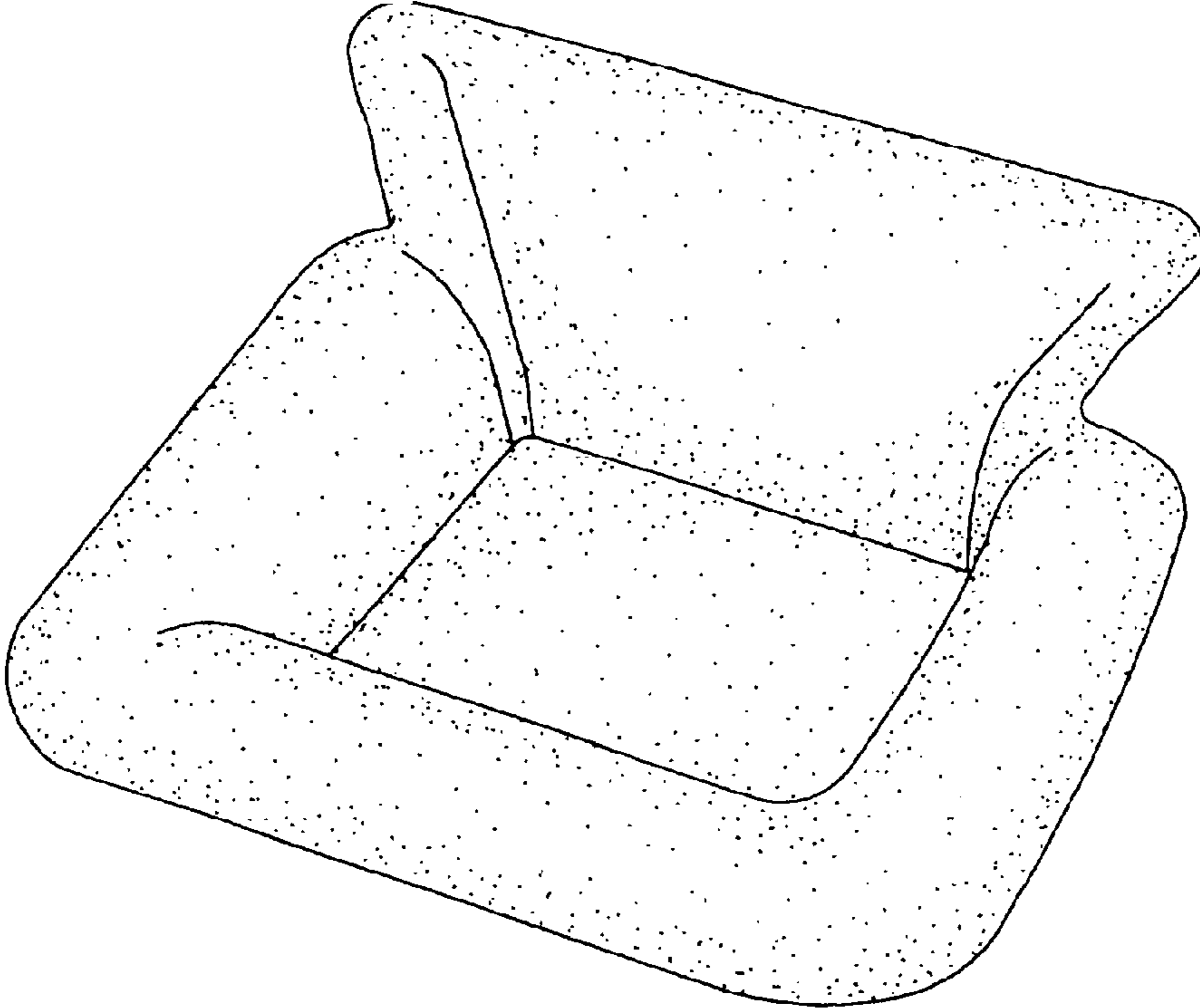


FIG. 2

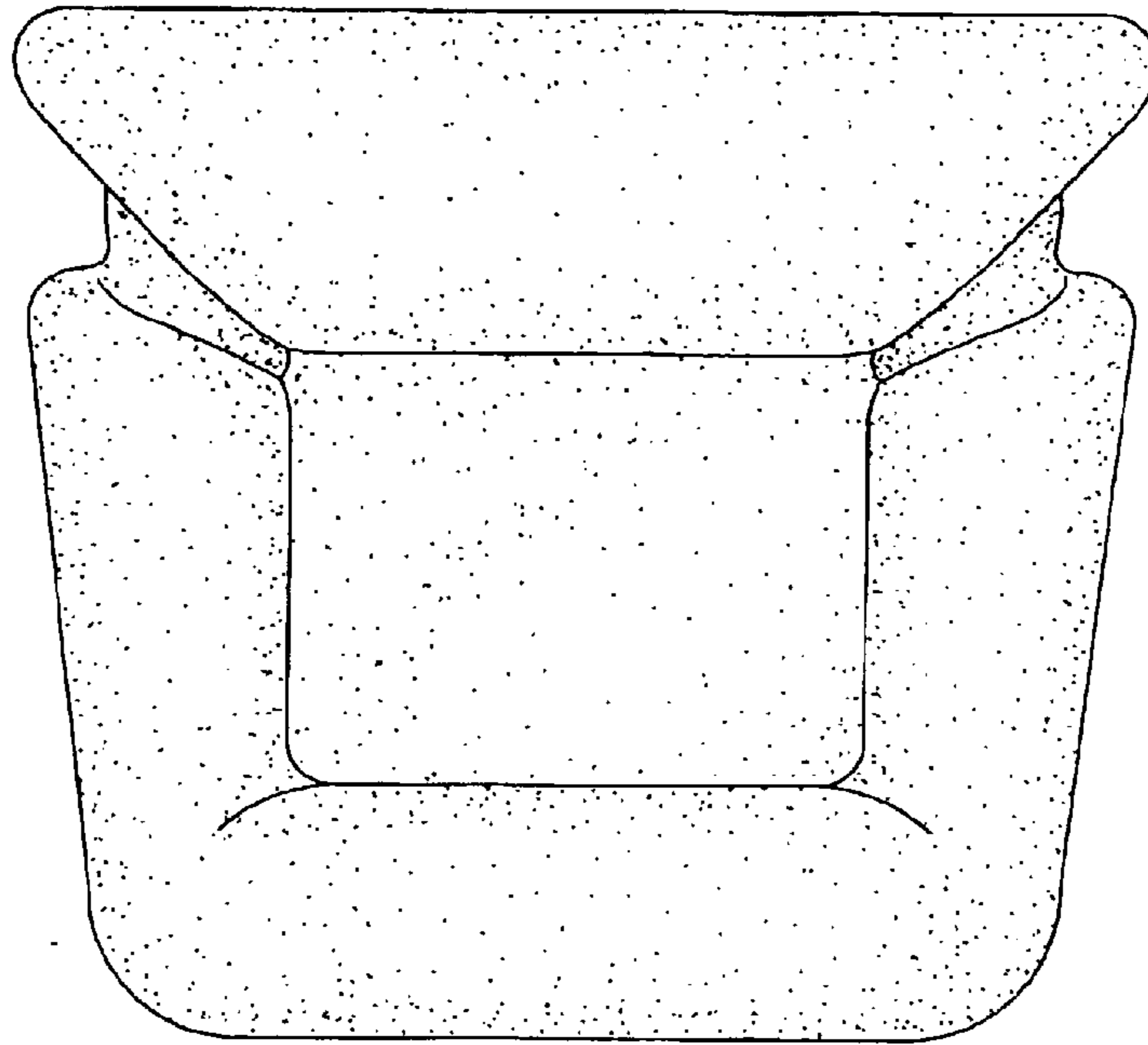


FIG. 3

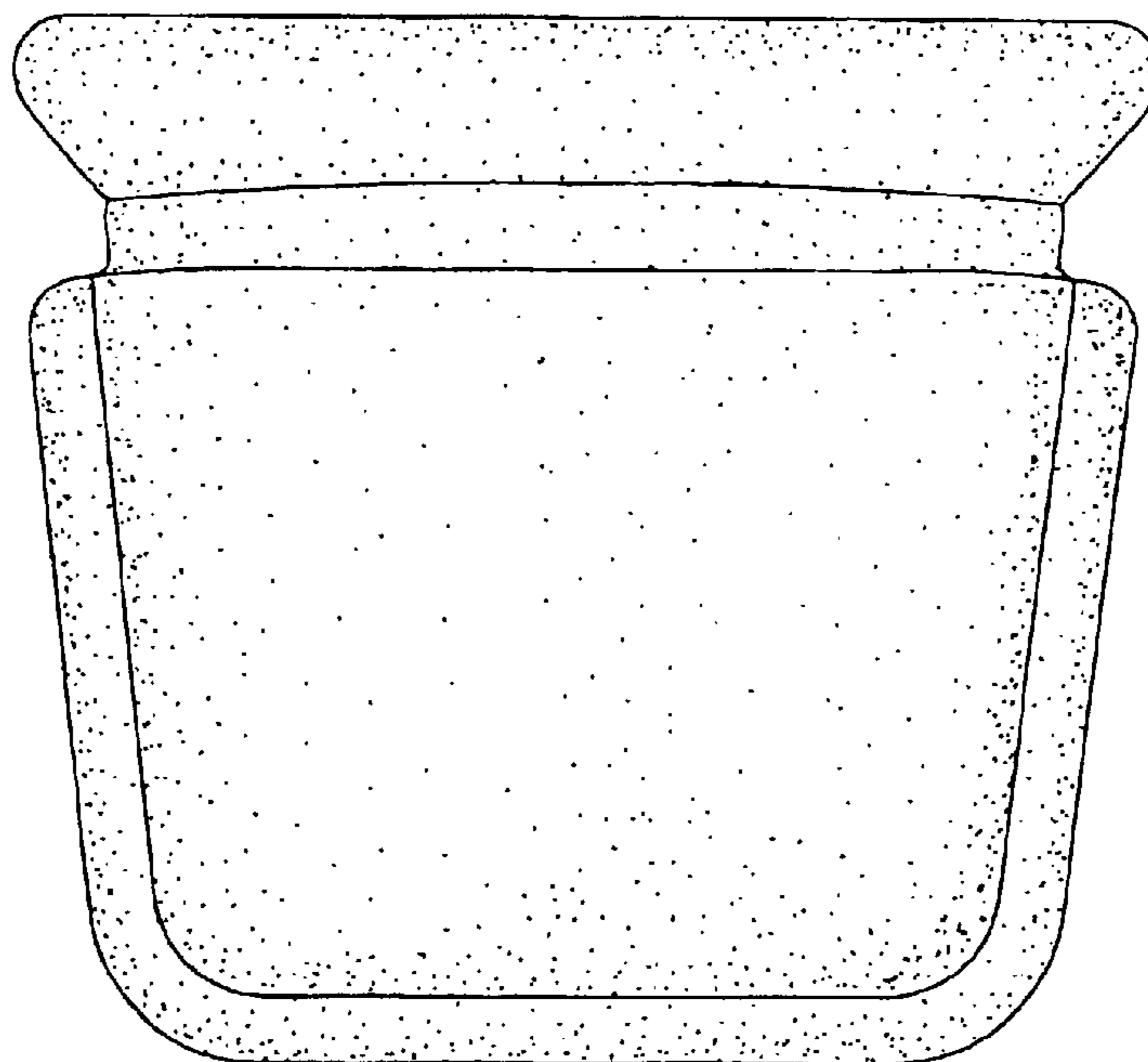


FIG. 4

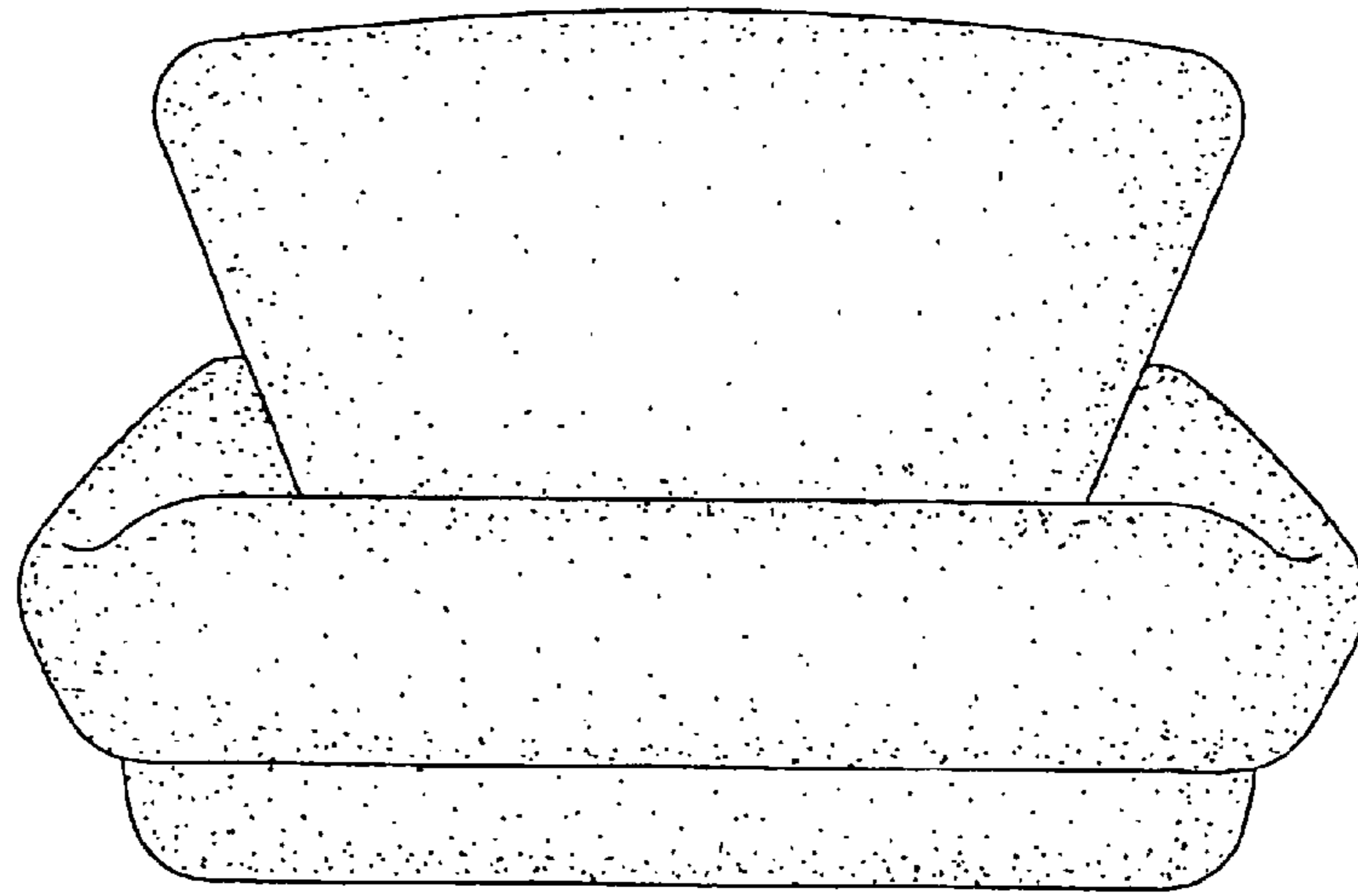


FIG. 5

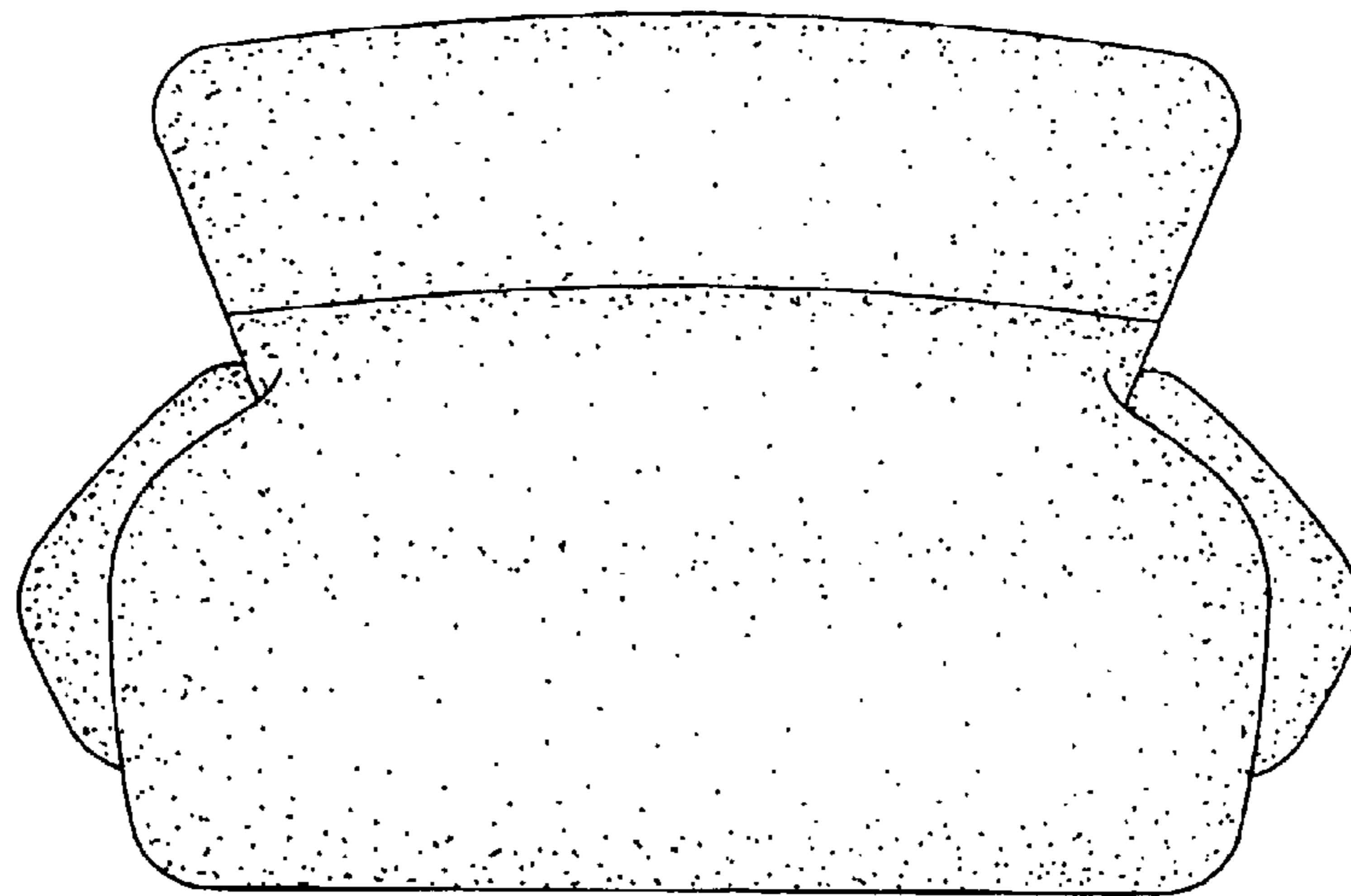


FIG. 6

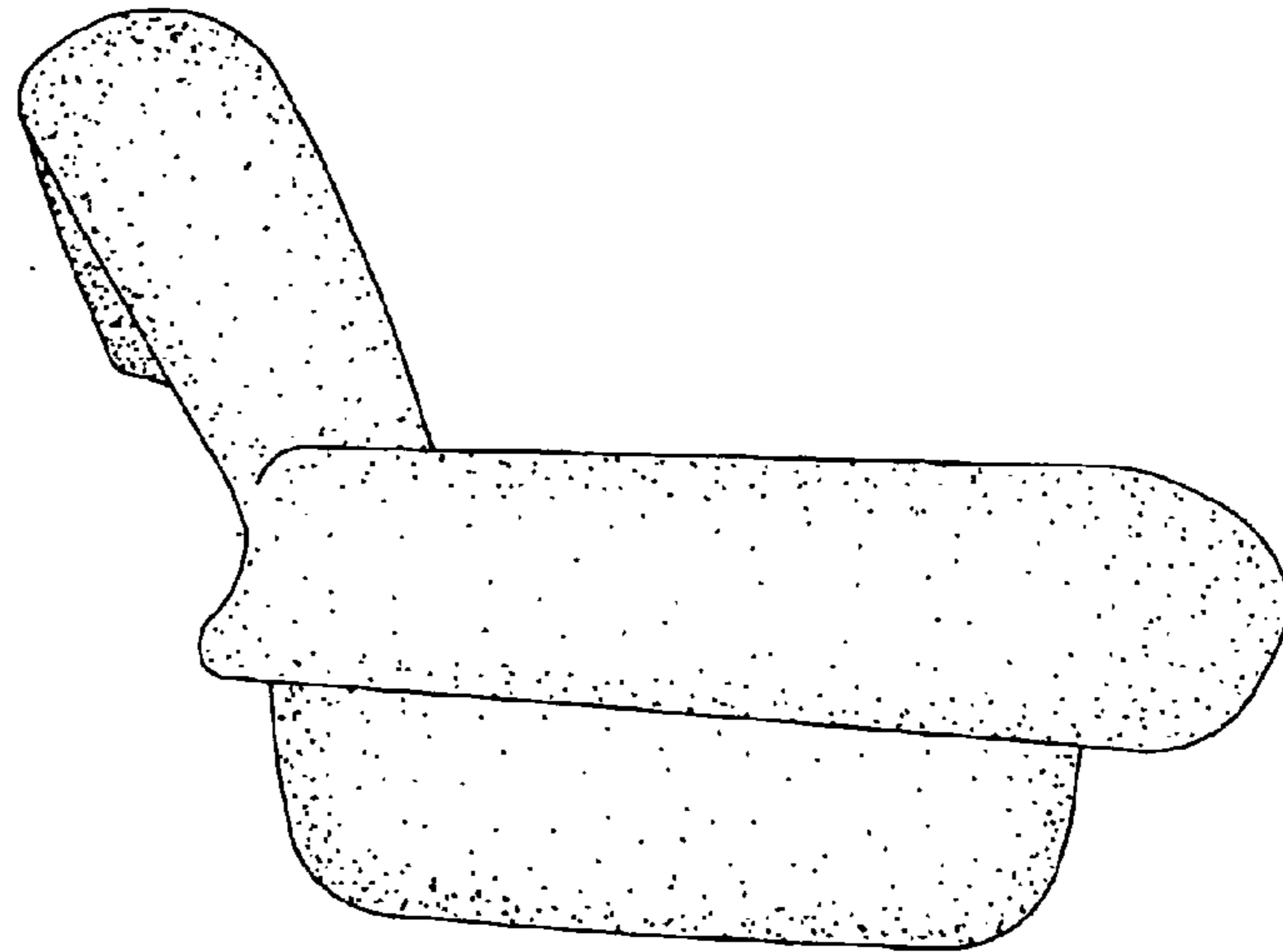


FIG. 7

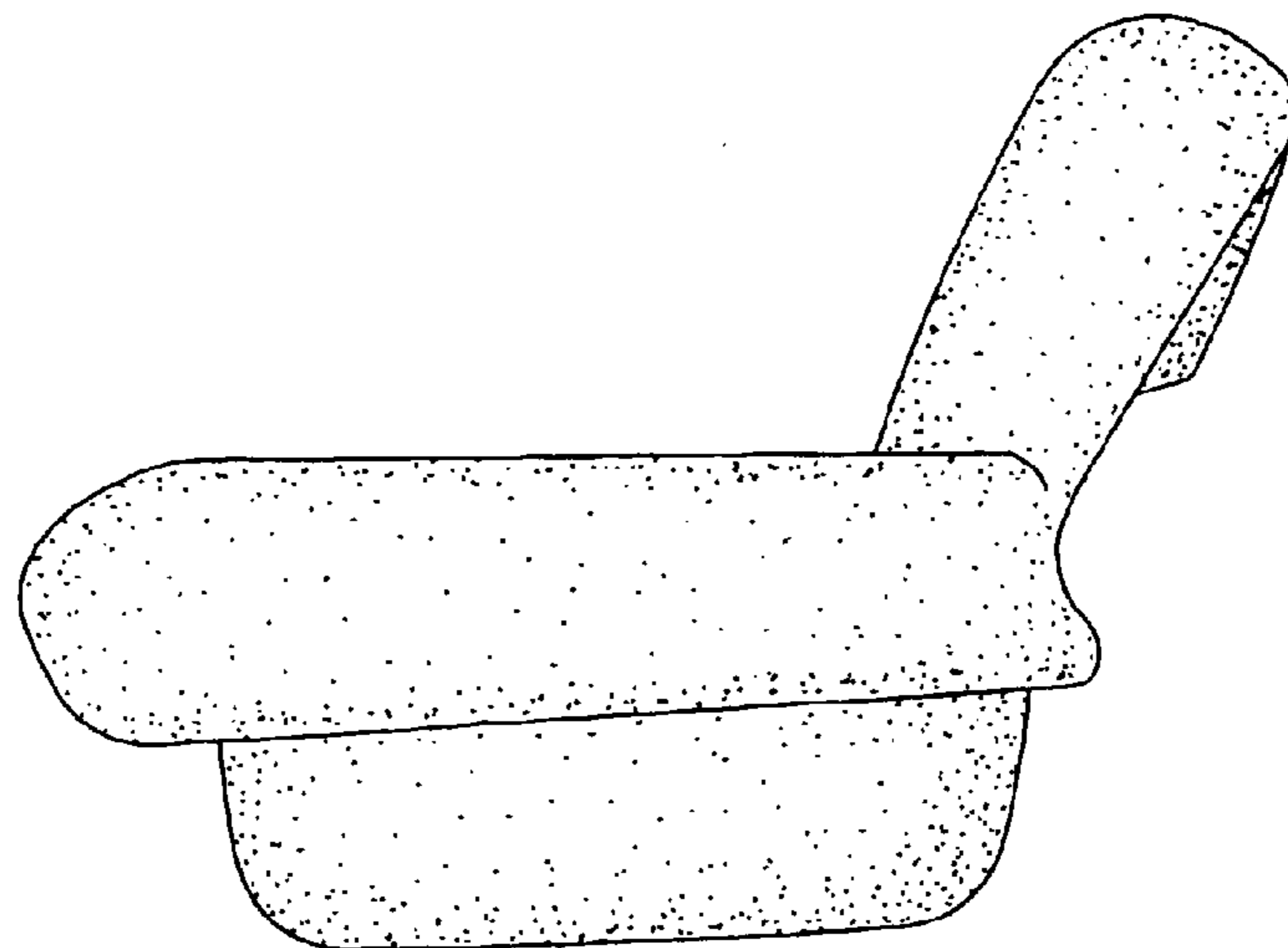


FIG. 8

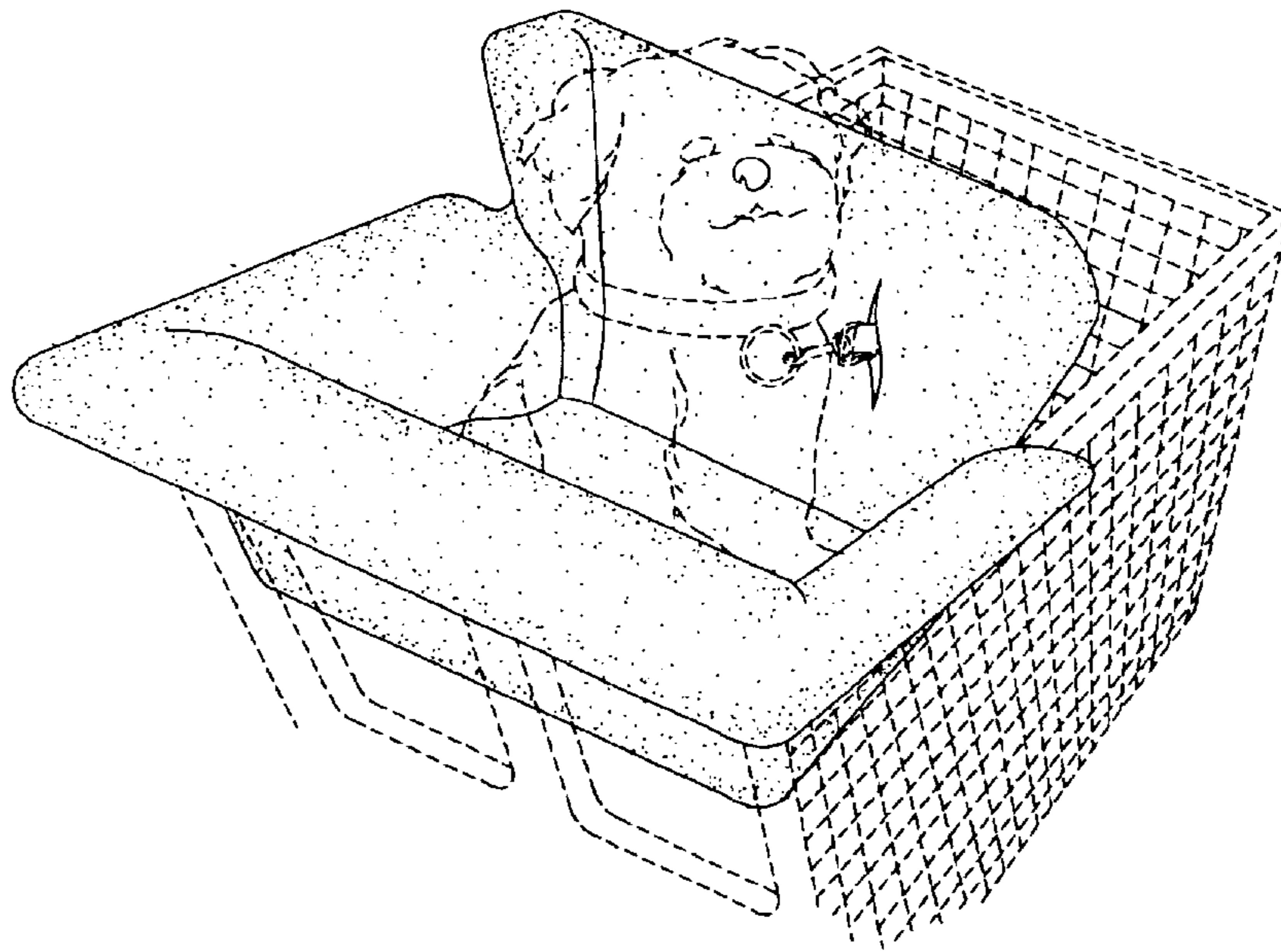


FIG. 9

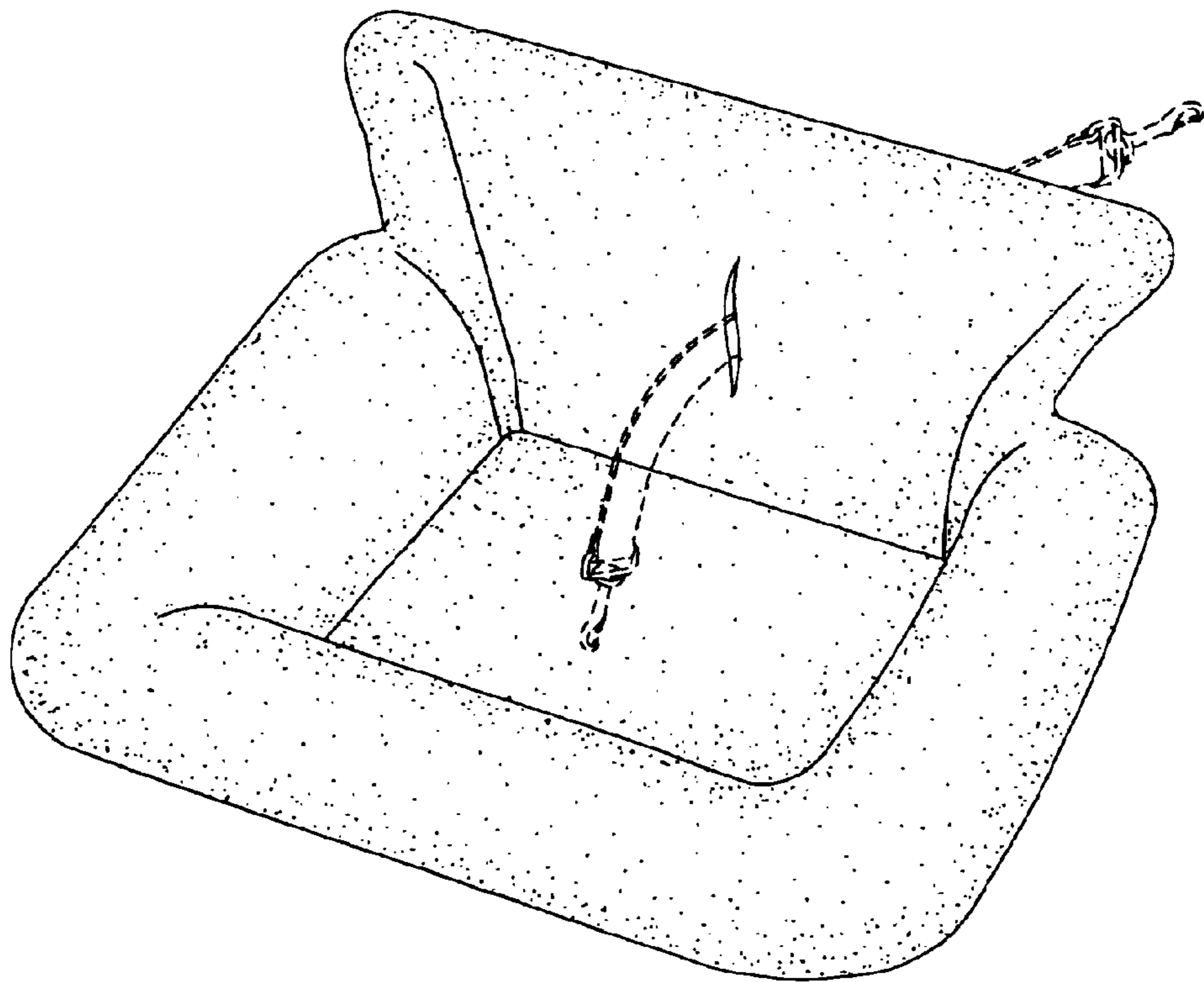


FIG. 10

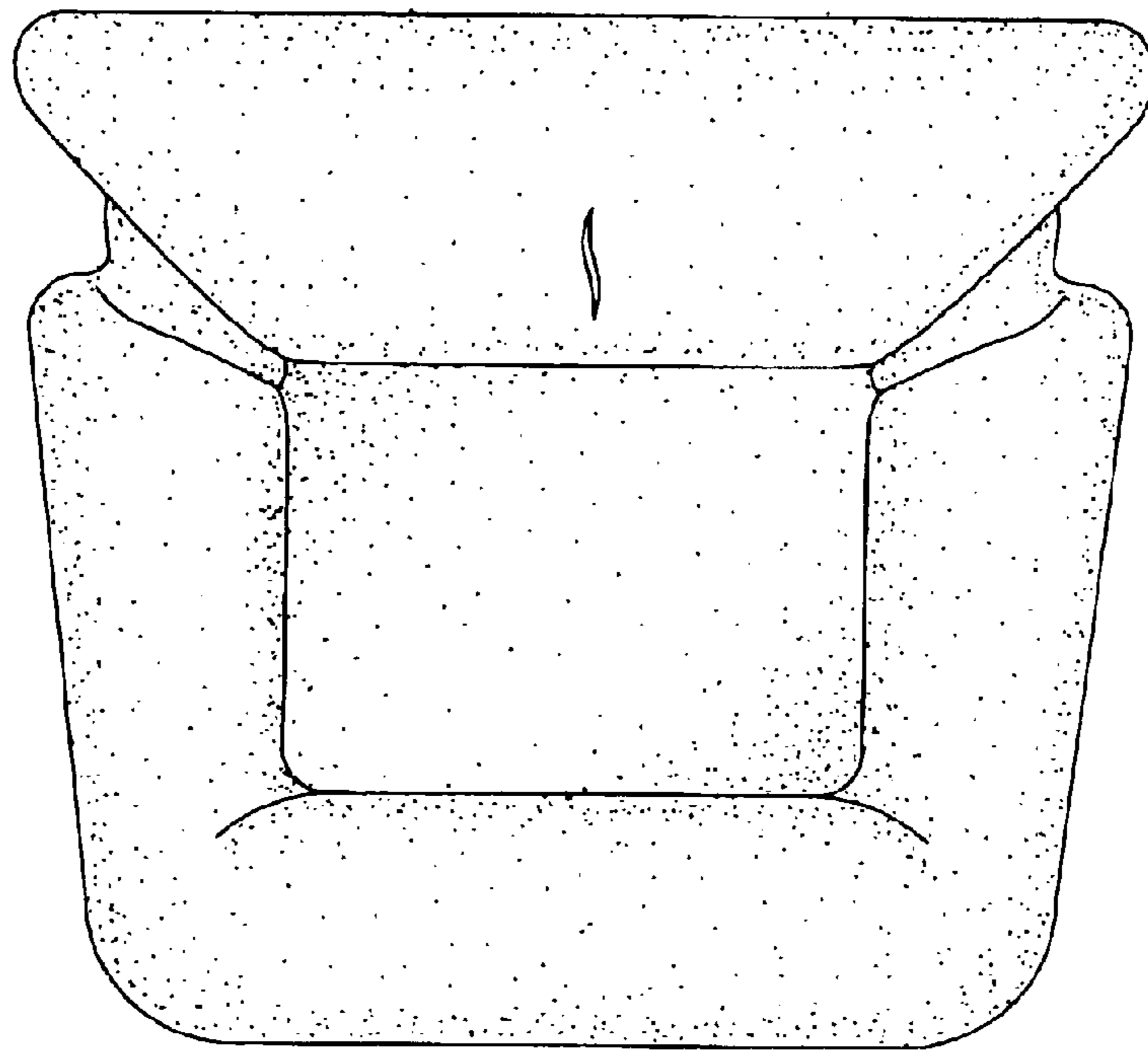


FIG. 11

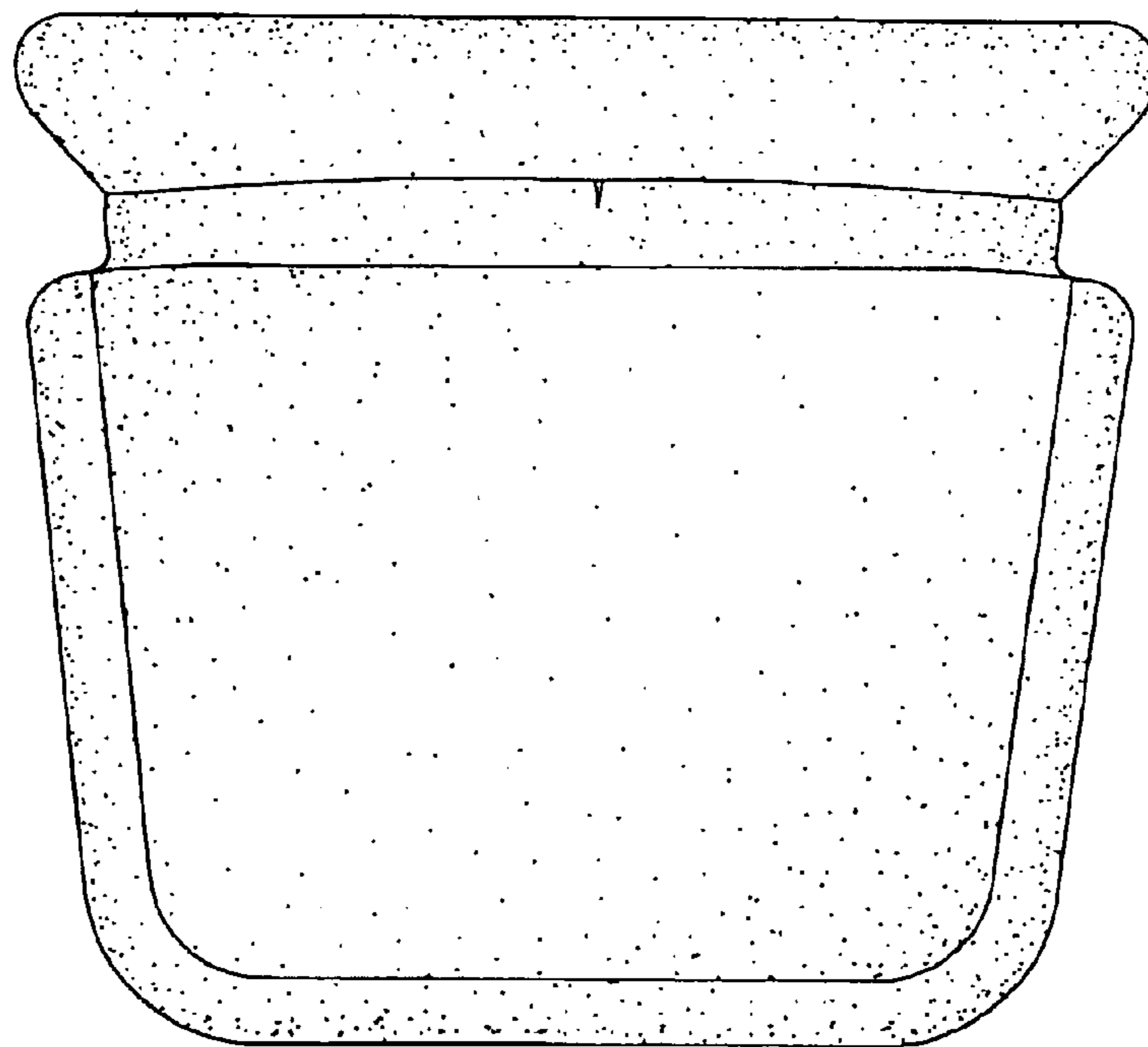


FIG. 12

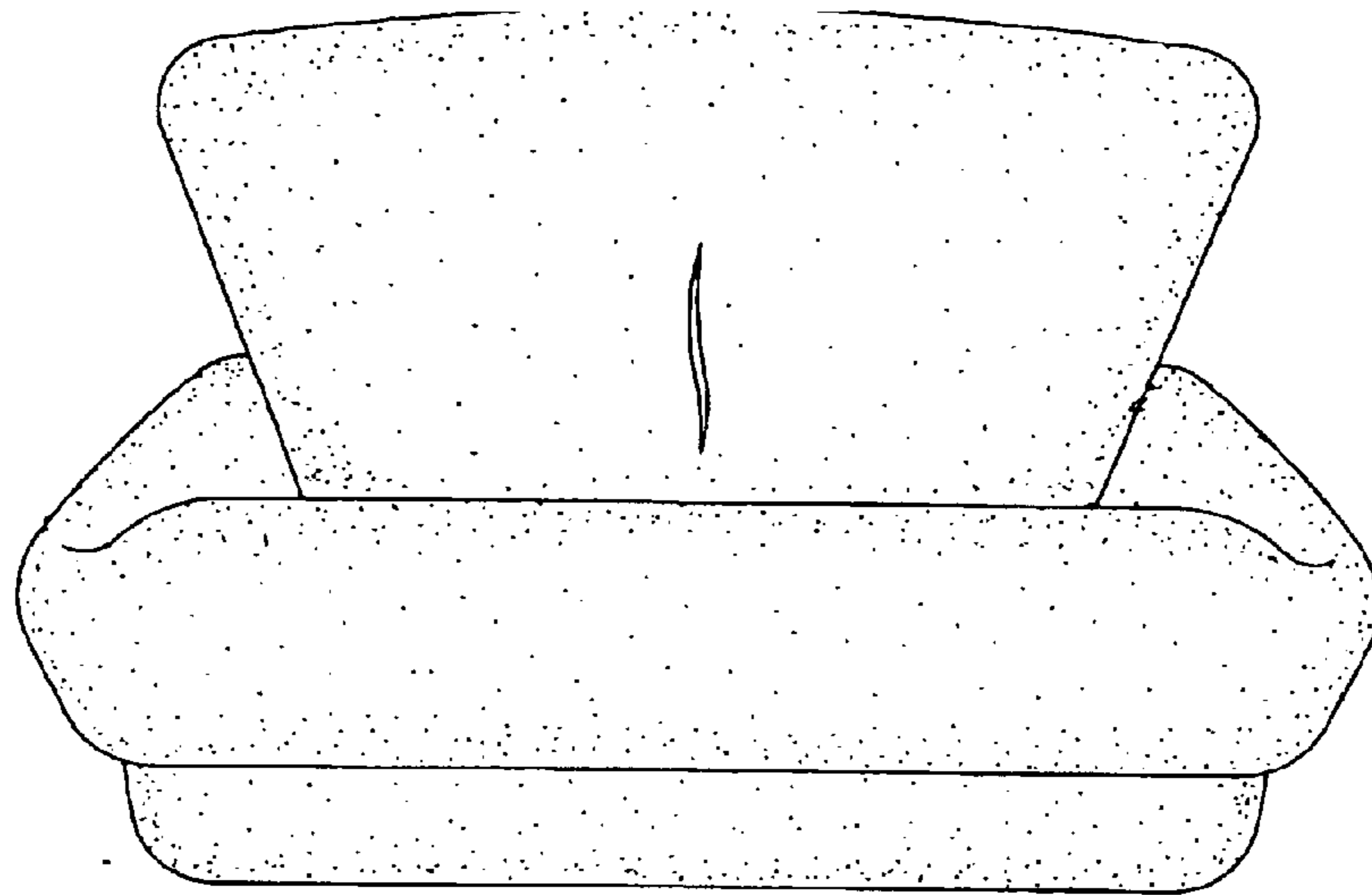


FIG. 13

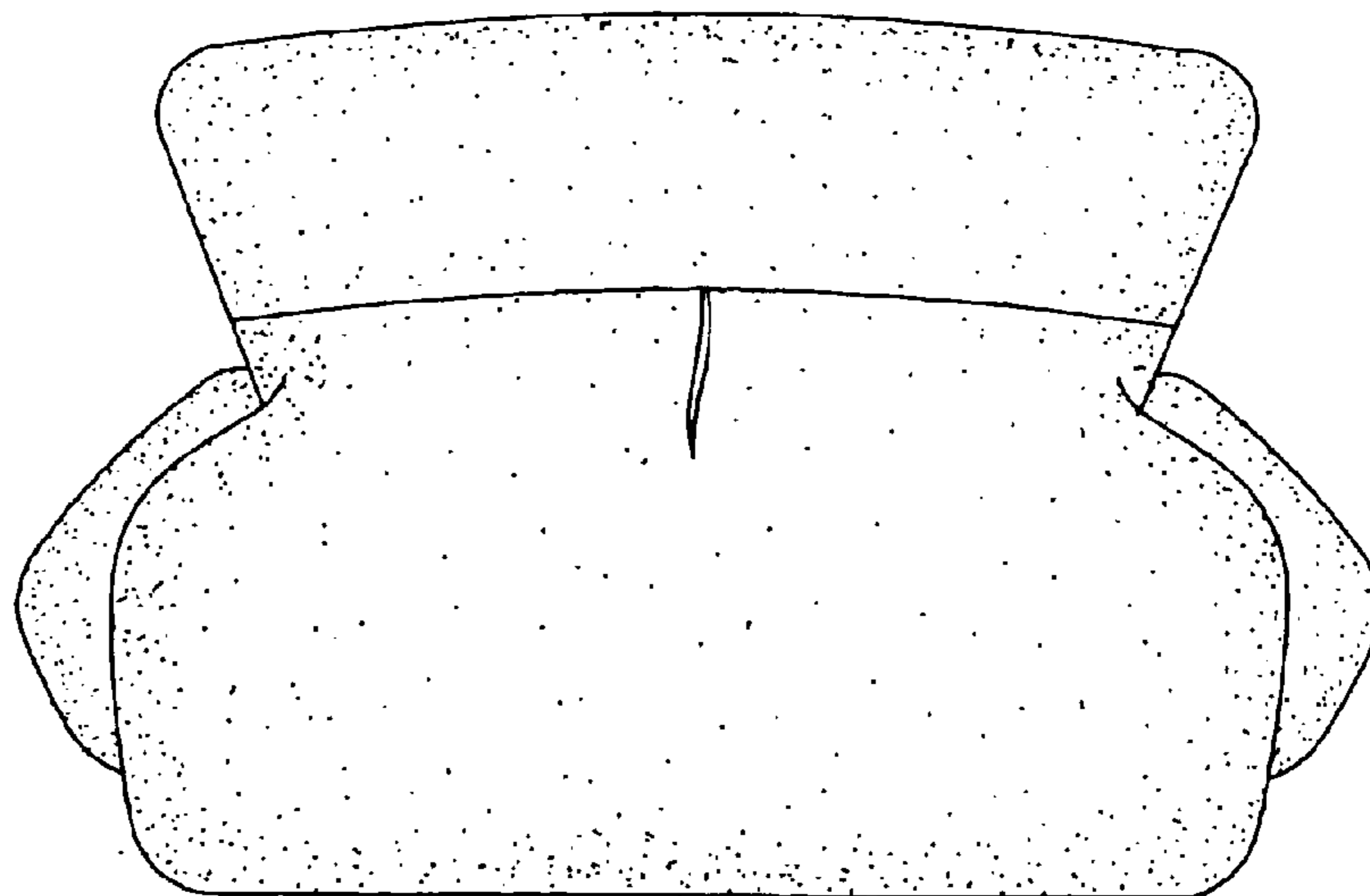


FIG. 14

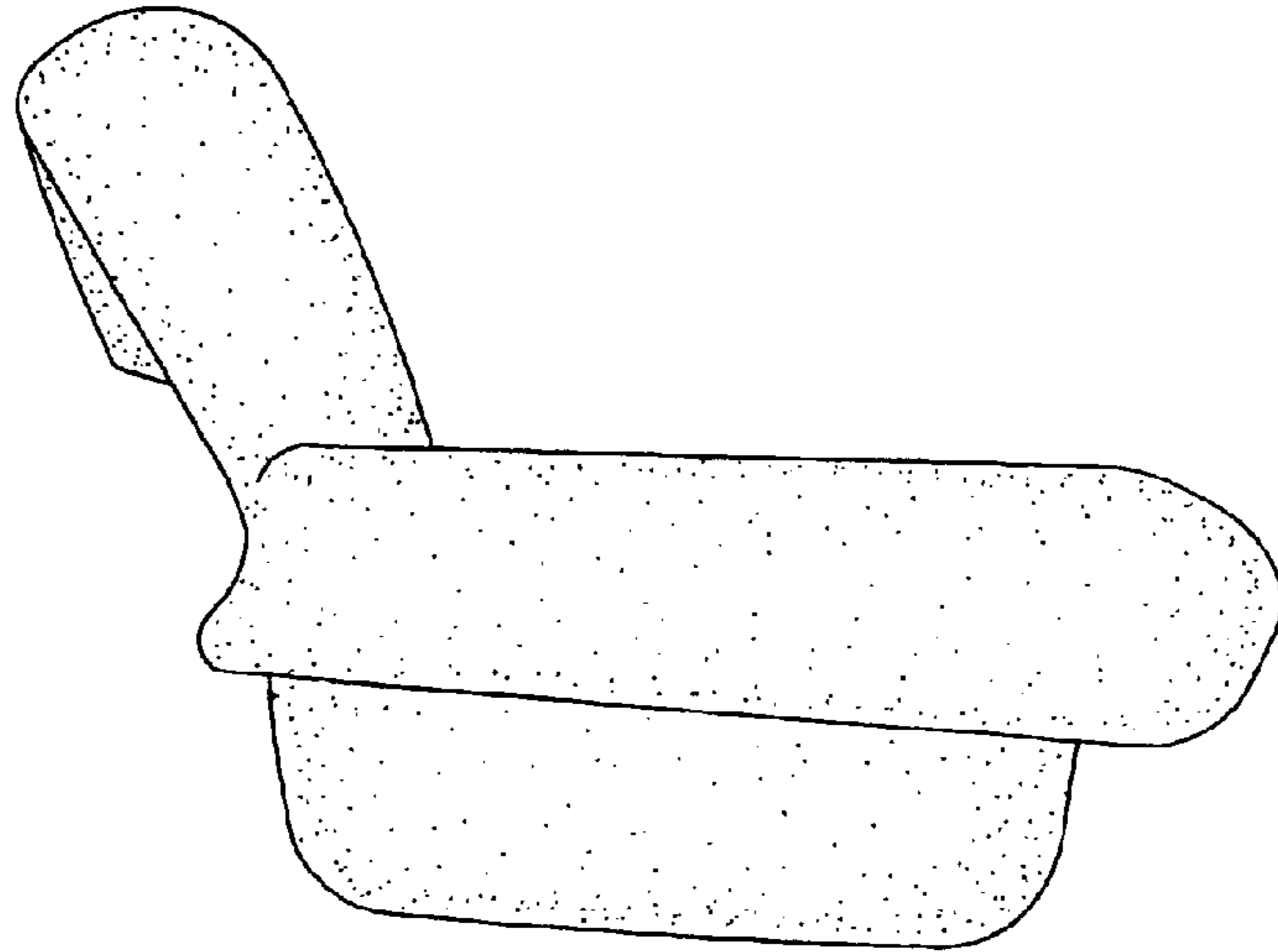


FIG. 15

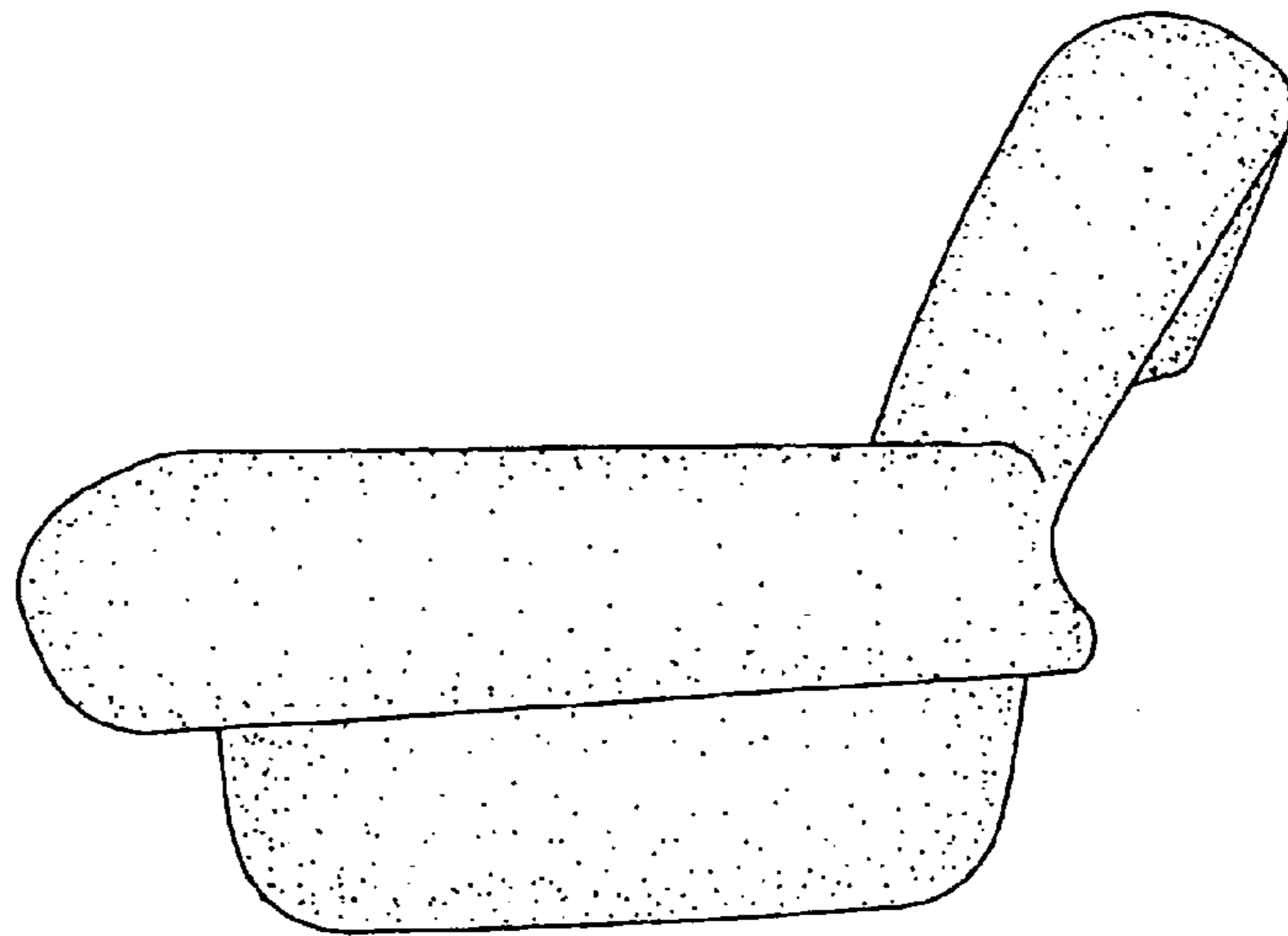


FIG. 16