

US00D505752S

(12) **United States Design Patent**
Martinez

(10) **Patent No.:** **US D505,752 S**

(45) **Date of Patent:** **** *May 31, 2005**

(54) **COMPACT**

(75) **Inventor:** **Sabine Martinez**, New York, NY (US)

(73) **Assignee:** **L'Oreal USA Creative, Inc.**, New York, NY (US)

(*) **Notice:** This patent is subject to a terminal disclaimer.

(**) **Term:** **14 Years**

(21) **Appl. No.:** **29/199,032**

(22) **Filed:** **Feb. 9, 2004**

(51) **LOC (7) Cl.** **28-03**

(52) **U.S. Cl.** **D28/83**

(58) **Field of Search** D28/73, 76-84;
132/293-307, 313-318; 206/581, 823

(56) **References Cited**

U.S. PATENT DOCUMENTS

D267,983 S	2/1983	Cheung	D28/67
D347,089 S	5/1994	Byars et al.	D28/83
5,353,947 A	10/1994	Zinnbauer et al.	220/331
5,638,838 A	6/1997	Lombardi	132/294
D401,017 S	11/1998	Thorpe	D28/78
D404,533 S	1/1999	Morgan	D28/78
D407,853 S	4/1999	Morgan	D28/78
D407,855 S	4/1999	Orsomando	D28/83
D407,856 S	4/1999	Orsomando	D28/83
D410,569 S	6/1999	Morgan	D28/78
D428,210 S	7/2000	Gavin	D28/83

D428,211 S	7/2000	Gavin	D28/83
D431,881 S	10/2000	Gavin	D28/78
D433,539 S	11/2000	Gavin	D28/78
D433,773 S	* 11/2000	Gavin	D28/83
D434,189 S	11/2000	Gavin	D28/78
D434,875 S	12/2000	Gavin	D28/83
D478,397 S	* 8/2003	Bakic	D28/83
D486,944 S	* 2/2004	Bernard	D28/78

OTHER PUBLICATIONS

Items 19 and 20, Estee Lauder Advertisement, Spring '93.*

* cited by examiner

Primary Examiner—Jennifer Rivard

(74) *Attorney, Agent, or Firm*—Baker Botts L.L.P.

(57) **CLAIM**

I claim the ornamental design for the compact, as shown and described.

DESCRIPTION

FIG. 1 is a three-dimensional perspective view of the compact with the cover open;

FIG. 2 is a front view of the compact with the cover open;

FIG. 3 is a rear view of the compact with the cover open;

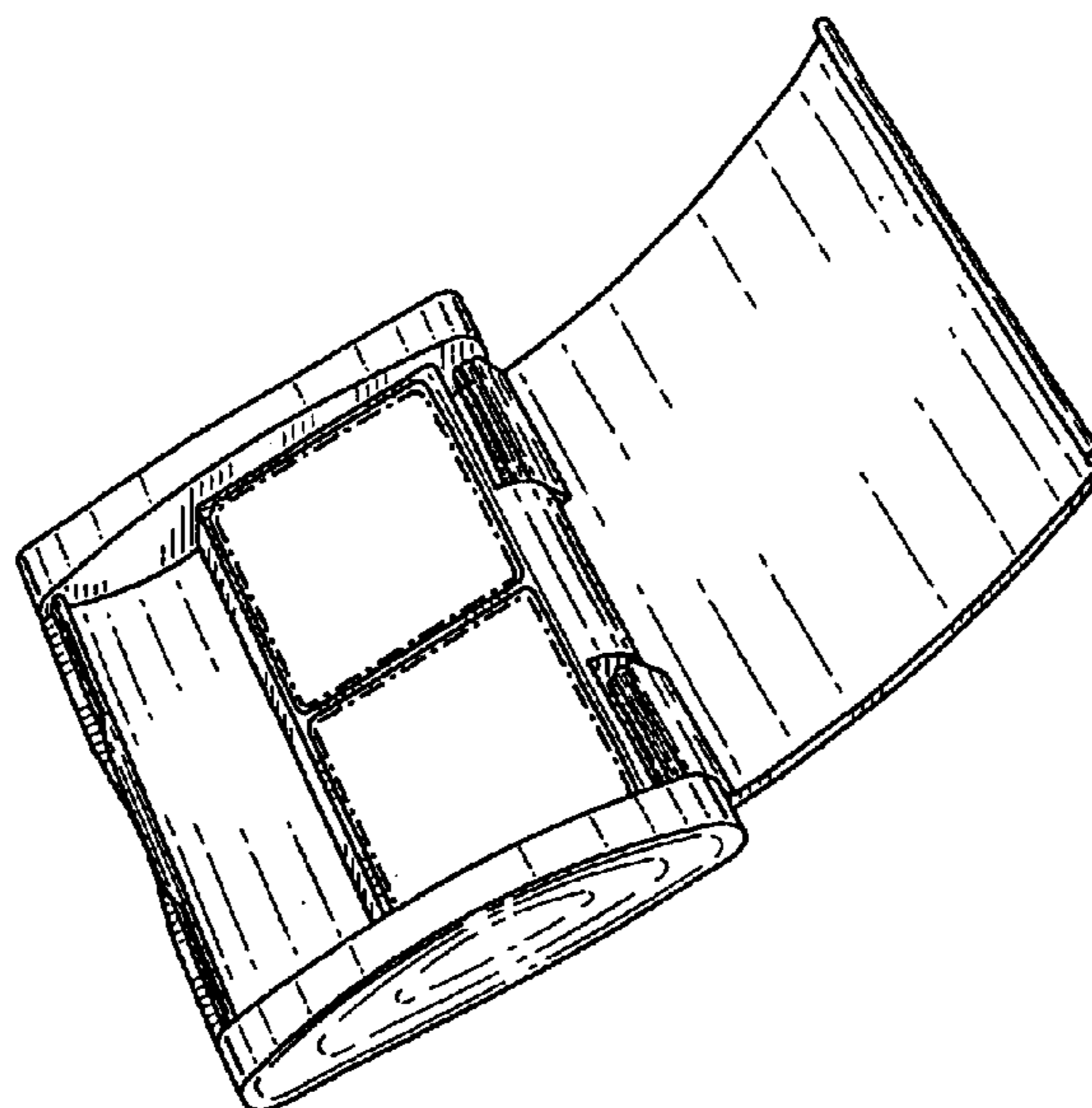
FIG. 4 is a side view of the compact with the cover open;

FIG. 5 is a top view of the compact with the cover open; and,

FIG. 6 is a bottom view of the compact with the cover open.

The broken lines are shown for illustrative purposes only and form no part of the claimed design.

1 Claim, 2 Drawing Sheets



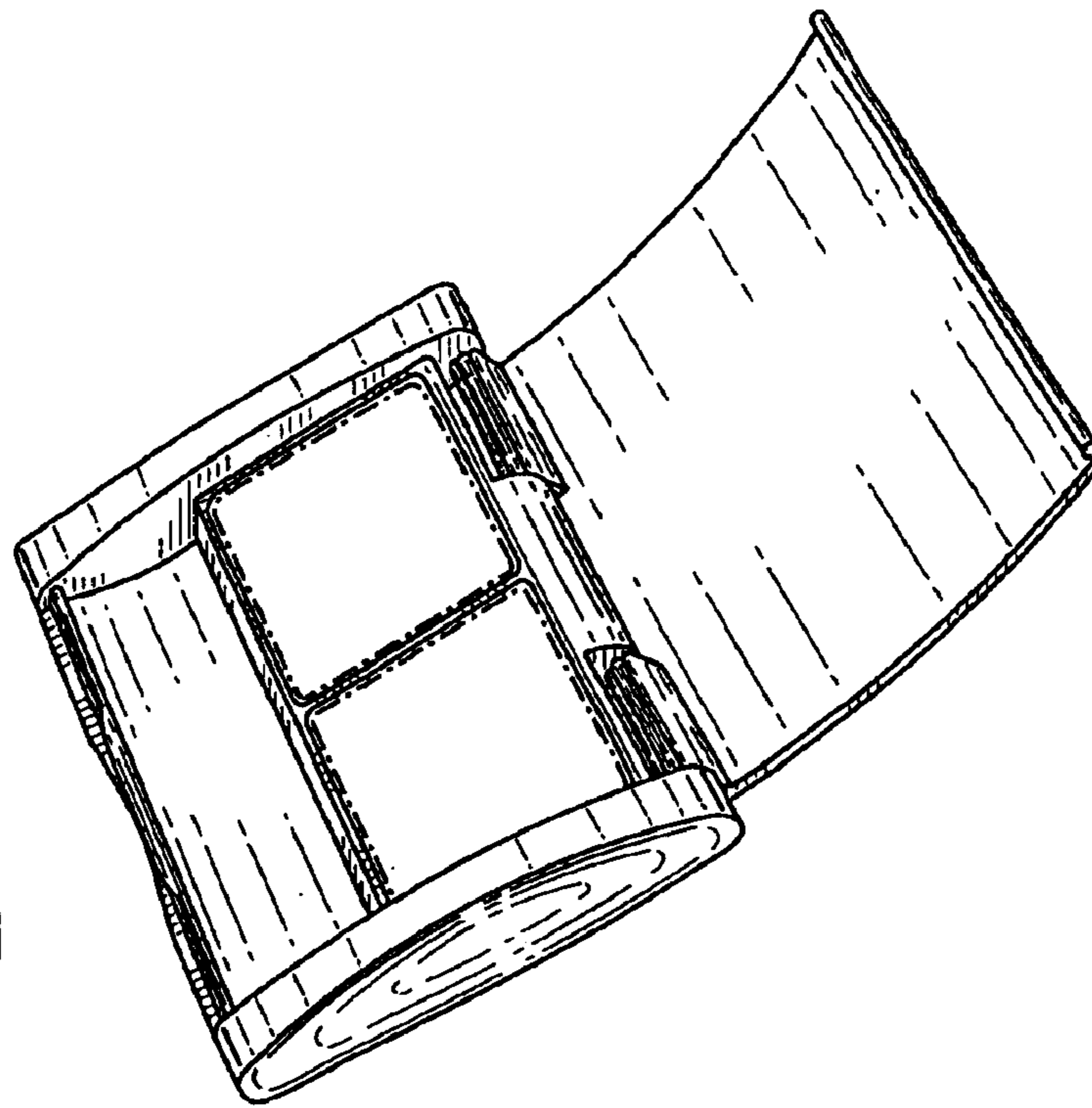


FIG. 1



FIG. 2

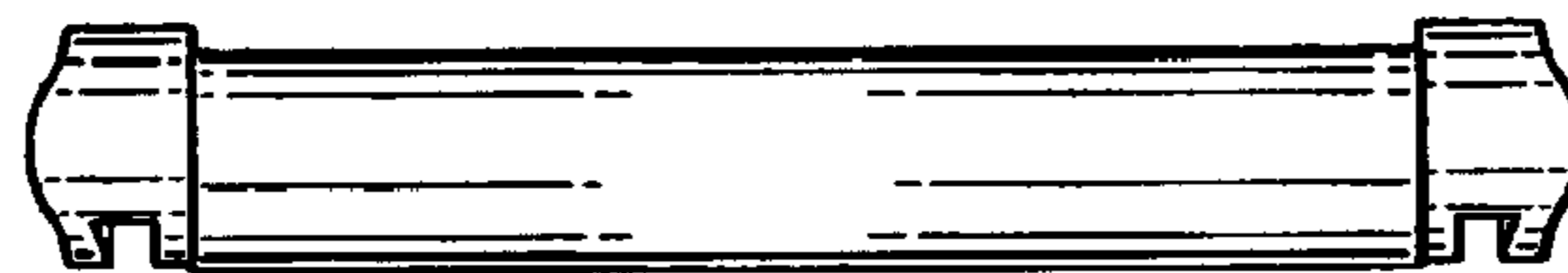


FIG. 3



FIG. 4

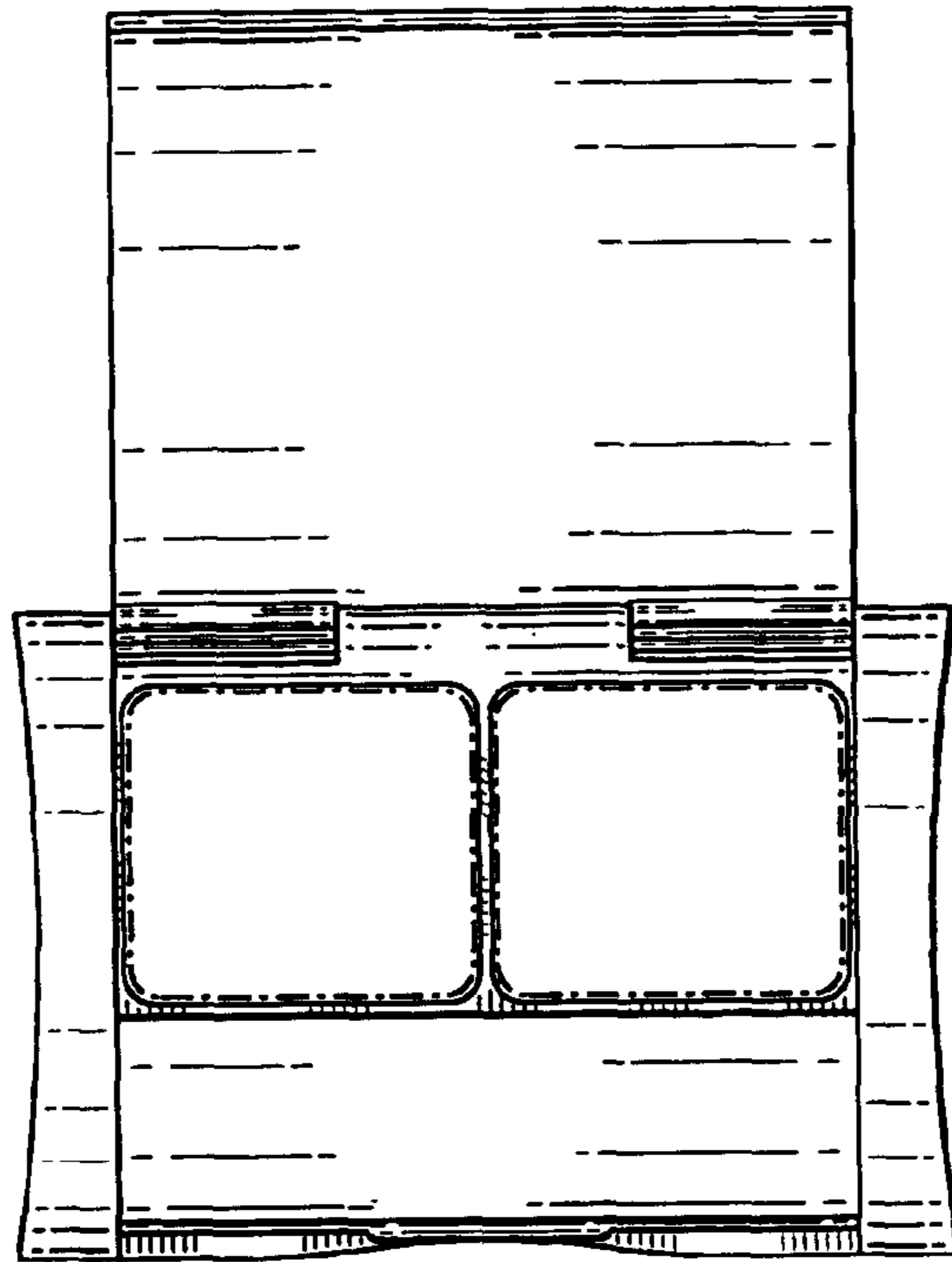


FIG. 5

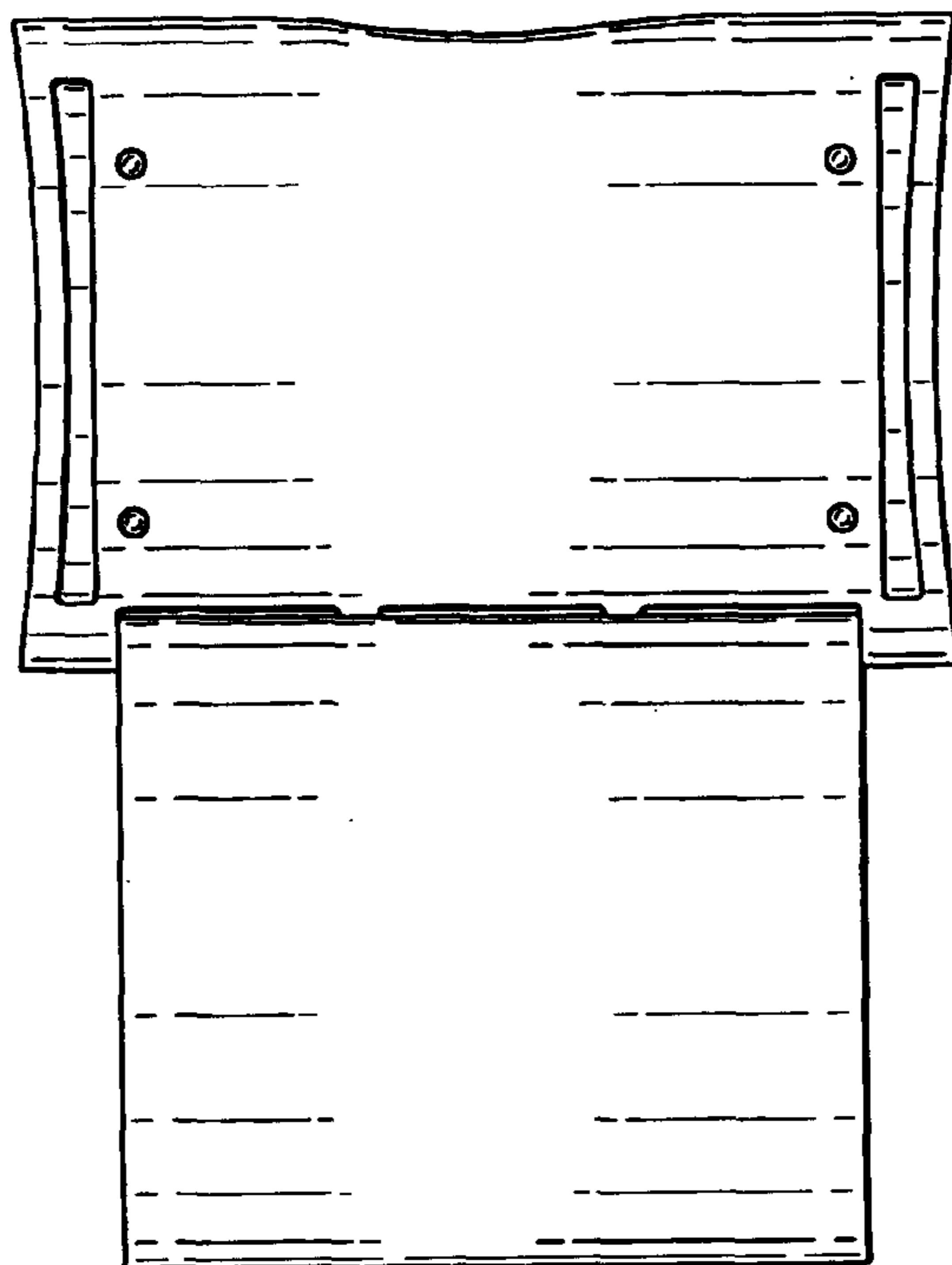


FIG. 6