

US00D505744S

(12) **United States Design Patent**
Kan

(10) **Patent No.:** **US D505,744 S**

(45) **Date of Patent:** **** May 31, 2005**

(54) **KITCHEN RAIL LIGHT**

(75) **Inventor:** **Chi Hang Kan, Kwai Chung (HK)**

(73) **Assignee:** **Luen Yick Electrical Mfg. Co., Ltd.,
New Territories (HK)**

(**) **Term:** **14 Years**

(21) **Appl. No.:** **29/186,000**

(22) **Filed:** **Jul. 9, 2003**

(51) **LOC (7) Cl. 26-03**

(52) **U.S. Cl. D26/76; D26/78**

(58) **Field of Search D26/72, 75-79,
D26/60; 362/217-225**

(56) **References Cited**

U.S. PATENT DOCUMENTS

D145,696 S	*	10/1946	Mccann	D26/82
D162,278 S	*	3/1951	Ainsworth	D26/78
2,800,573 A	*	7/1957	Hudson	362/220
D240,549 S	*	7/1976	Eftekhar	D26/78
4,994,943 A	*	2/1991	Aspenwall	362/219
5,491,621 A	*	2/1996	Duty	362/427

D377,990 S	*	2/1997	Nakano	D26/65
D424,230 S	*	5/2000	Noh	D26/76
D425,234 S	*	5/2000	Marier	D26/78
D464,161 S	*	10/2002	Nourishad	D26/78
6,632,001 B2	*	10/2003	Chen	362/222
D496,486 S	*	9/2004	Kan	D26/76

* cited by examiner

Primary Examiner—Clare E Heflin

(74) *Attorney, Agent, or Firm*—Rabin & Berdo, P.C.

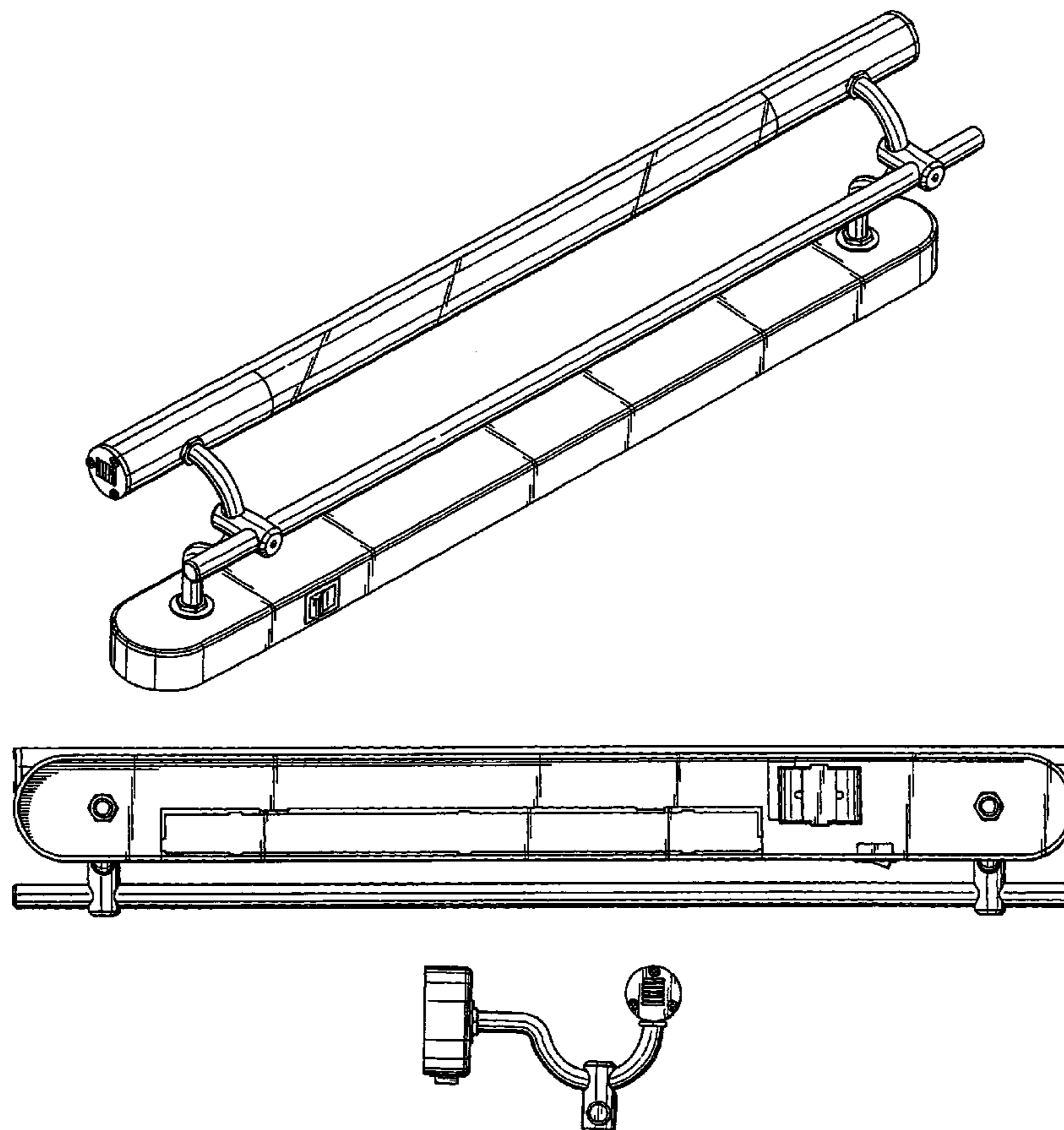
(57) **CLAIM**

The ornamental design for a kitchen rail light, as shown and described.

DESCRIPTION

FIG. 1 is a perspective view of a kitchen rail light showing my new design;
 FIG. 2 is a front view thereof;
 FIG. 3 is a rear view thereof;
 FIG. 4 is a left side view thereof;
 FIG. 5 is a right side view thereof;
 FIG. 6 is a top plan view thereof; and,
 FIG. 7 is a bottom plan view thereof.

1 Claim, 4 Drawing Sheets



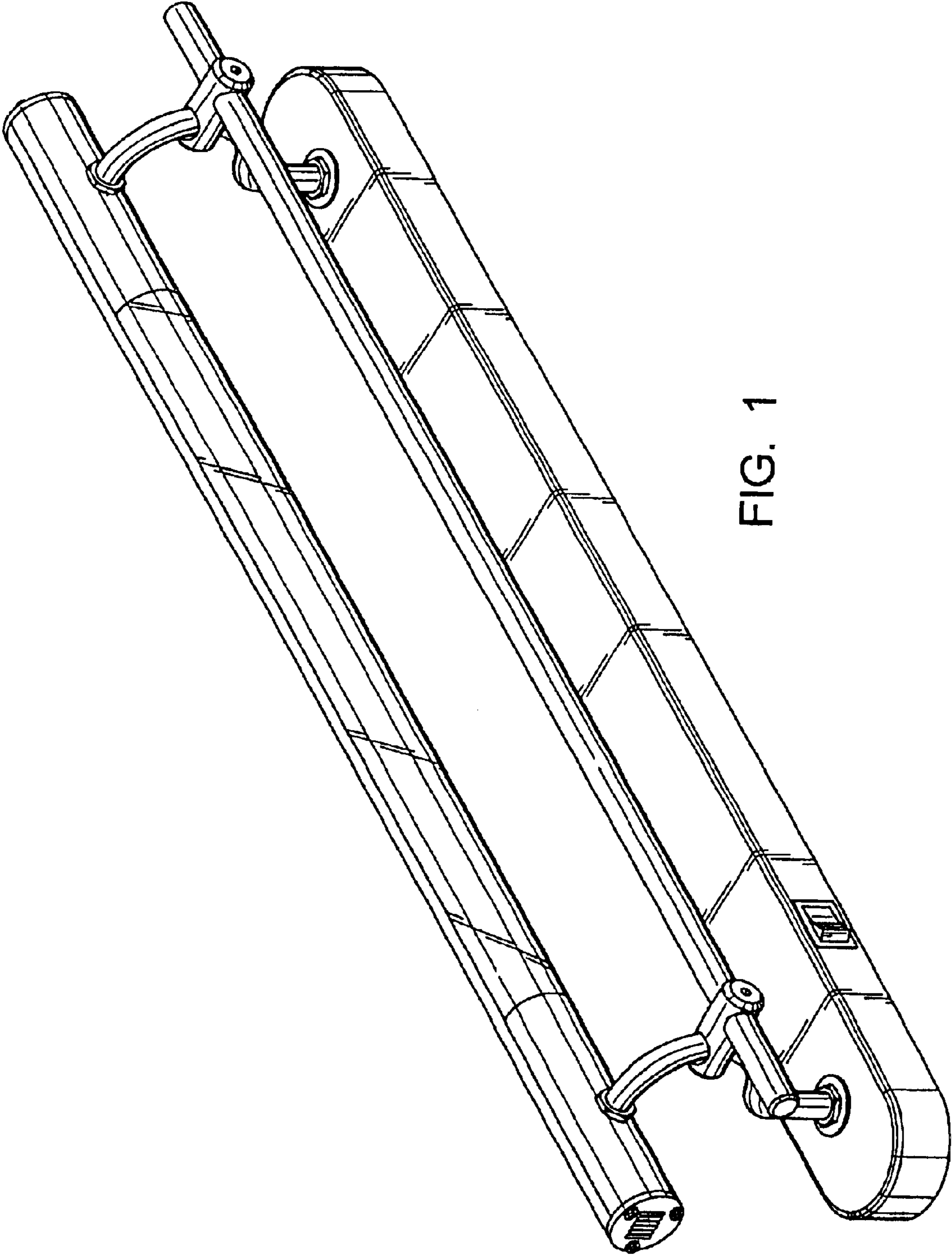


FIG. 1

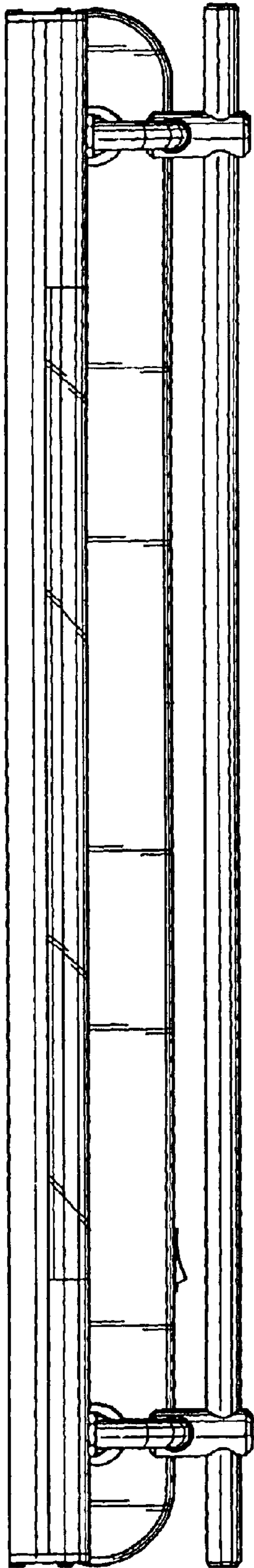


FIG. 2

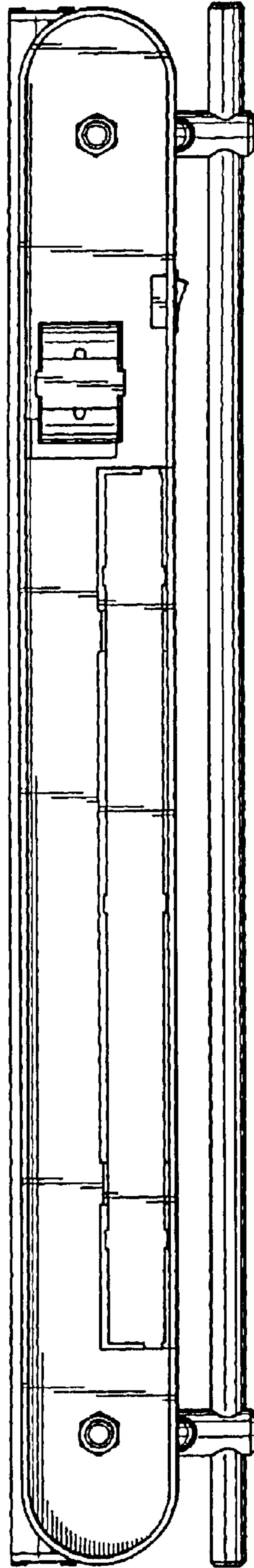


FIG. 3

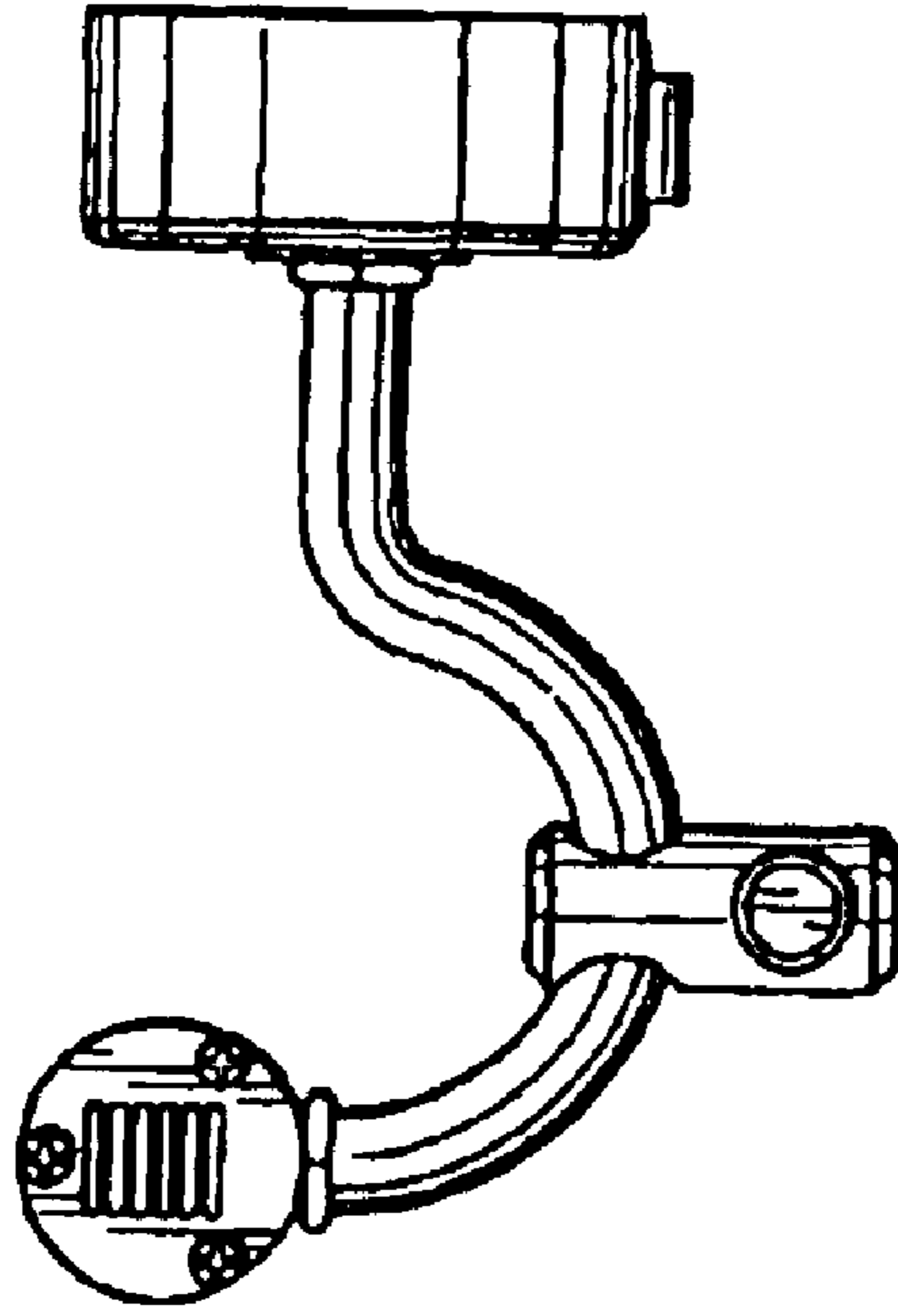


FIG. 5

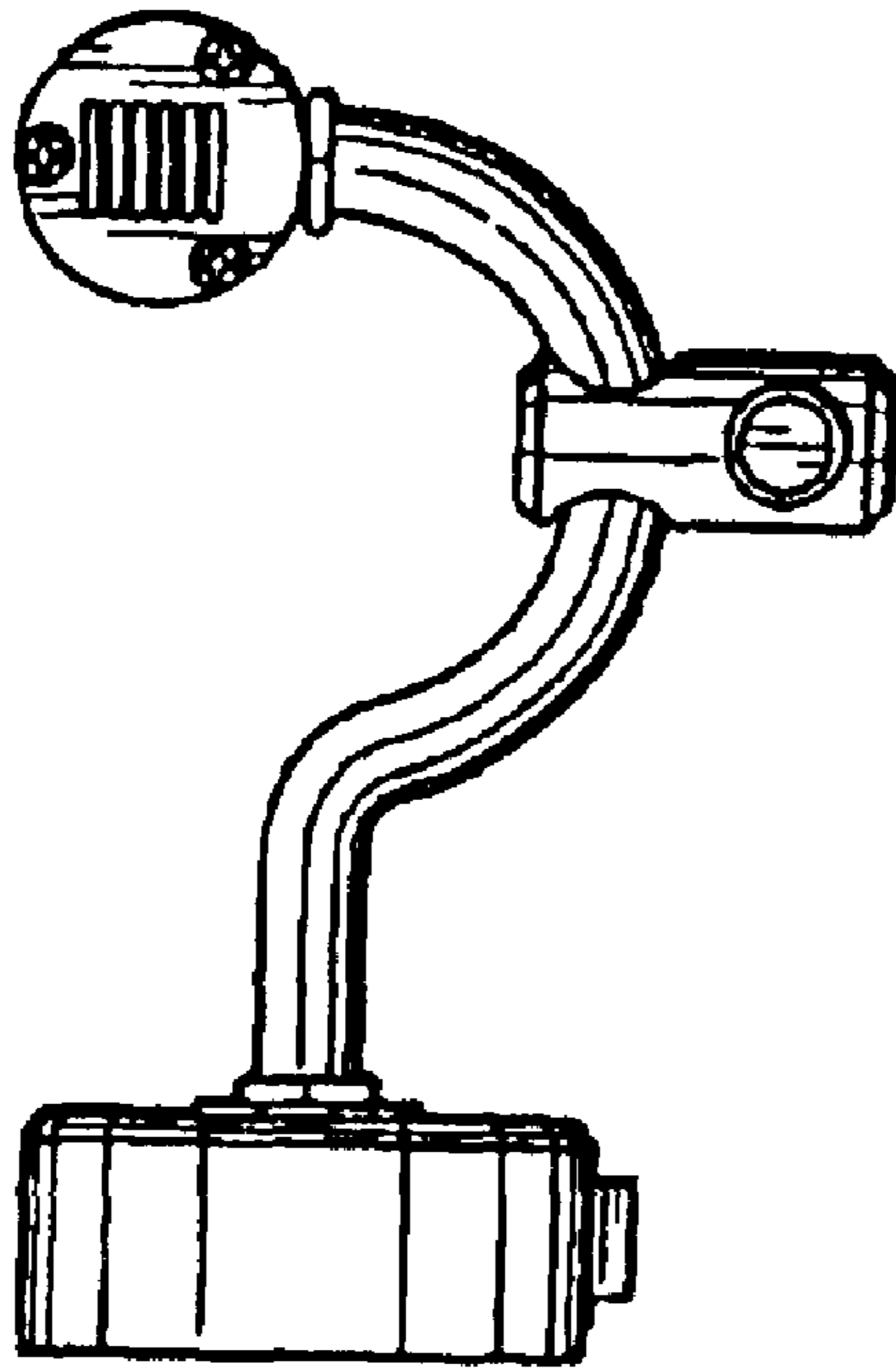


FIG. 4

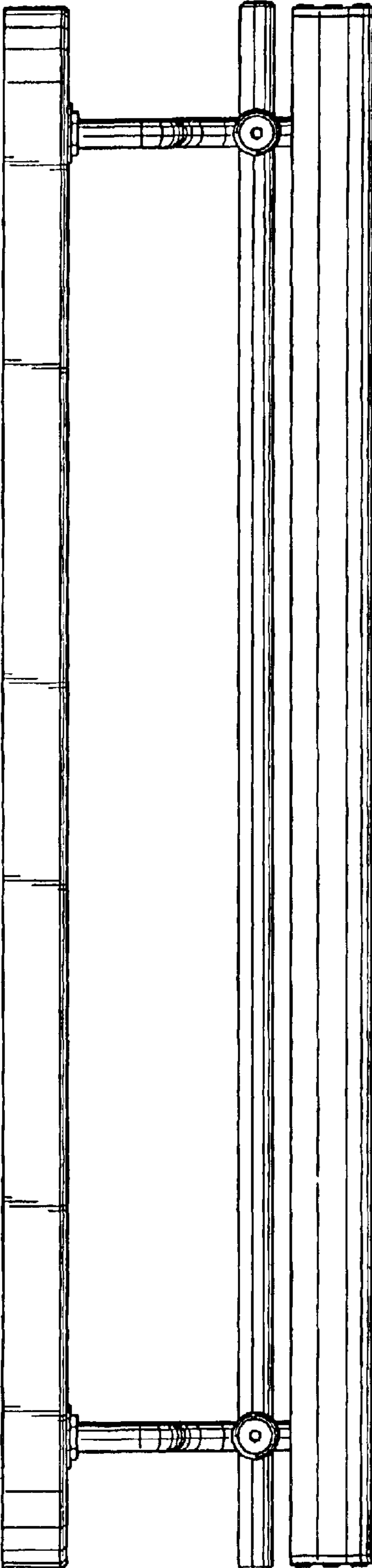


FIG. 6

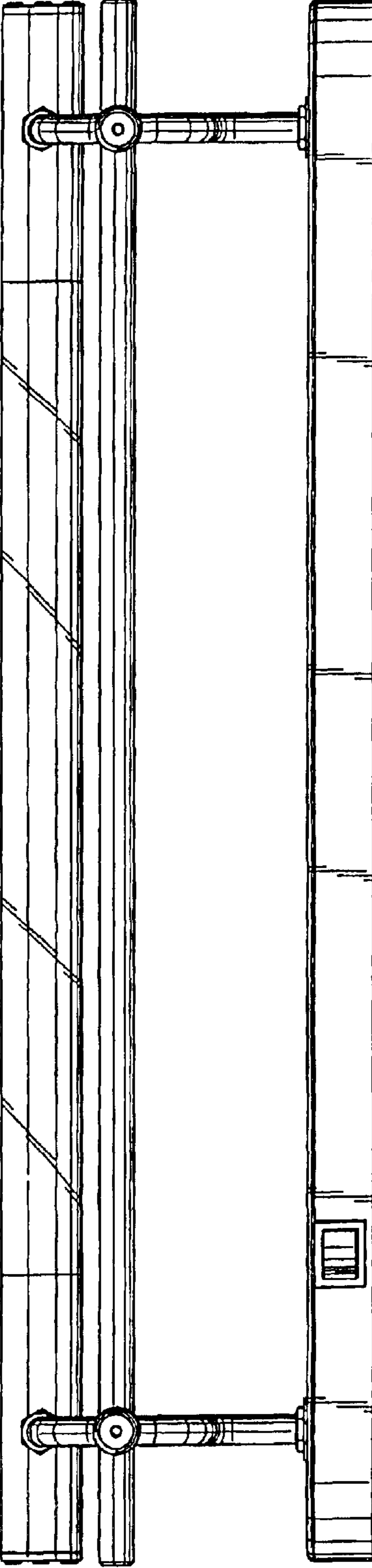


FIG. 7