



US00D505743S

(12) **United States Design Patent** (10) **Patent No.:** **US D505,743 S**  
**Chen** (45) **Date of Patent:** **\*\* May 31, 2005**

(54) **SOLAR LIGHT** D483,138 S 12/2003 Chen  
D484,630 S \* 12/2003 Chen ..... D26/67  
(75) Inventor: **Chi Gon Chen**, Guang Zhou (CN) D484,631 S 12/2003 Chen  
D485,000 S \* 1/2004 Chen ..... D26/67  
(73) Assignee: **International Development** D485,001 S 1/2004 Chen  
**Corporation**, Southlake, TX (US) D485,930 S 1/2004 Chen  
D485,933 S \* 1/2004 Kuelbs et al. .... D26/67  
(\*\*) Term: **14 Years** D488,576 S 4/2004 Chen  
6,719,442 B1 4/2004 Chen

(21) Appl. No.: **29/200,252**

**FOREIGN PATENT DOCUMENTS**

(22) Filed: **Feb. 25, 2004**

CA 99516 6/2003  
CA 99517 6/2003  
CA 99518 6/2003  
CA 99519 6/2003  
CA 100603 2/2004

(51) **LOC (7) Cl.** ..... **26-05**

(52) **U.S. Cl.** ..... **D26/67**

(58) **Field of Search** ..... D26/37-50, 67-73;  
362/147, 153.1, 159, 363, 367, 368, 404-408,  
431-432

\* cited by examiner

(56) **References Cited**

*Primary Examiner*—Marcus A. Jackson  
(74) *Attorney, Agent, or Firm*—Gardere Wynne Sewell  
LLP; Kenneth T. Emanuelson

**U.S. PATENT DOCUMENTS**

D445,209 S 7/2001 Chen  
D445,210 S 7/2001 Chen  
D445,524 S 7/2001 Chen  
D445,525 S 7/2001 Pan  
D445,939 S 7/2001 Pan  
D451,620 S 12/2001 Chen  
D452,029 S 12/2001 Chen  
D457,979 S 5/2002 Chen  
D466,243 S 11/2002 Chen  
D468,470 S 1/2003 Chen  
D468,471 S 1/2003 Chen  
D469,907 S 2/2003 Chen  
D469,908 S 2/2003 Chen  
D469,909 S 2/2003 Chen  
D470,963 S \* 2/2003 Cheong ..... D26/67  
D482,156 S \* 11/2003 Kuelbs et al. .... D26/67

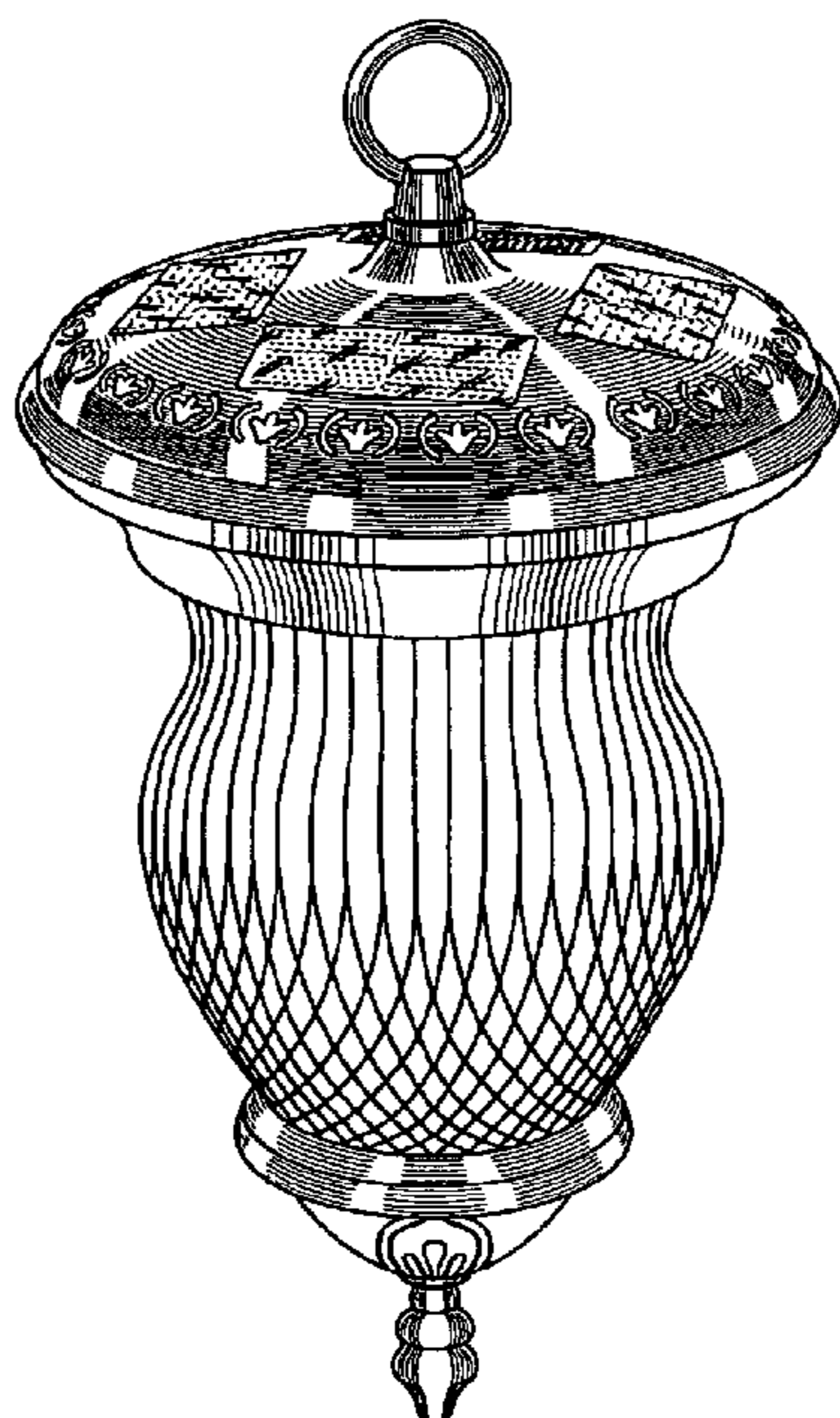
(57) **CLAIM**

The ornamental design for a solar light, as shown and described.

**DESCRIPTION**

FIG. 1 is a three-dimensional view of one preferred embodiment of a solar light in accordance with my invention; FIG. 2 is a front view of the solar light shown in FIG. 1; FIG. 3 is a side view of the solar light shown in FIG. 1; FIG. 4 is a top view of the solar light shown in FIG. 1; and, FIG. 5 is a bottom view of the solar light shown in FIG. 1.

**1 Claim, 2 Drawing Sheets**



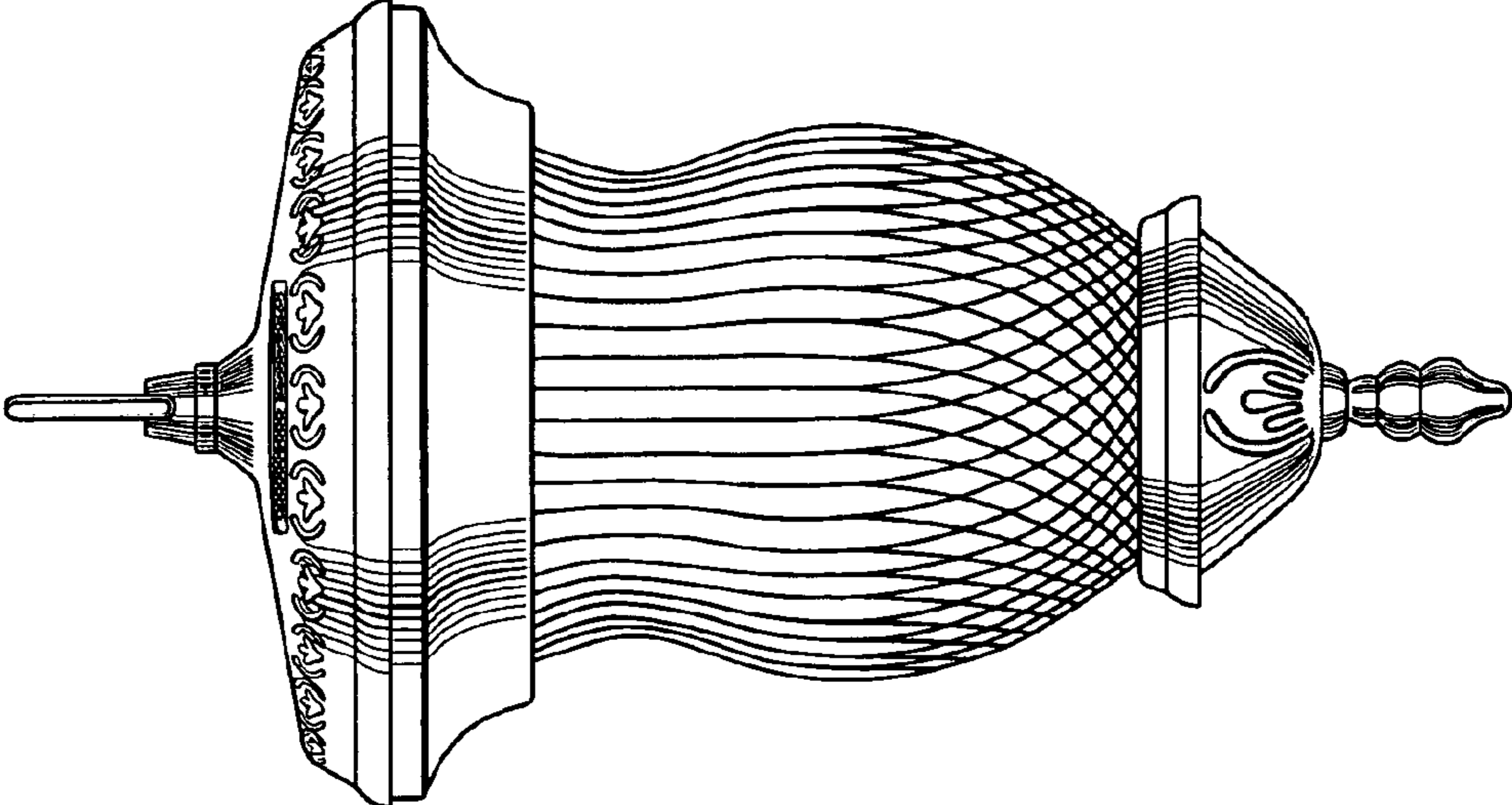


Fig.3

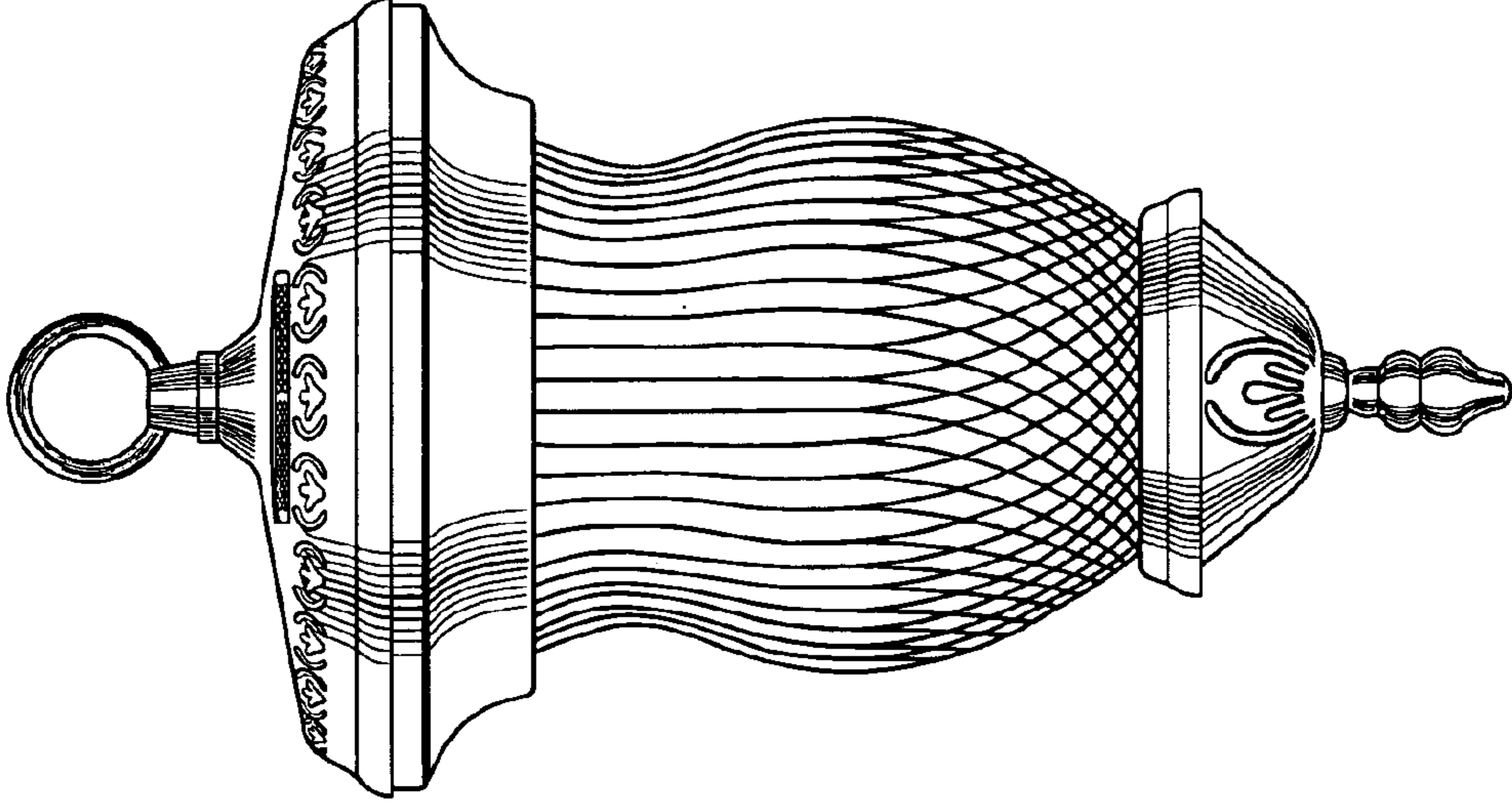


Fig.2

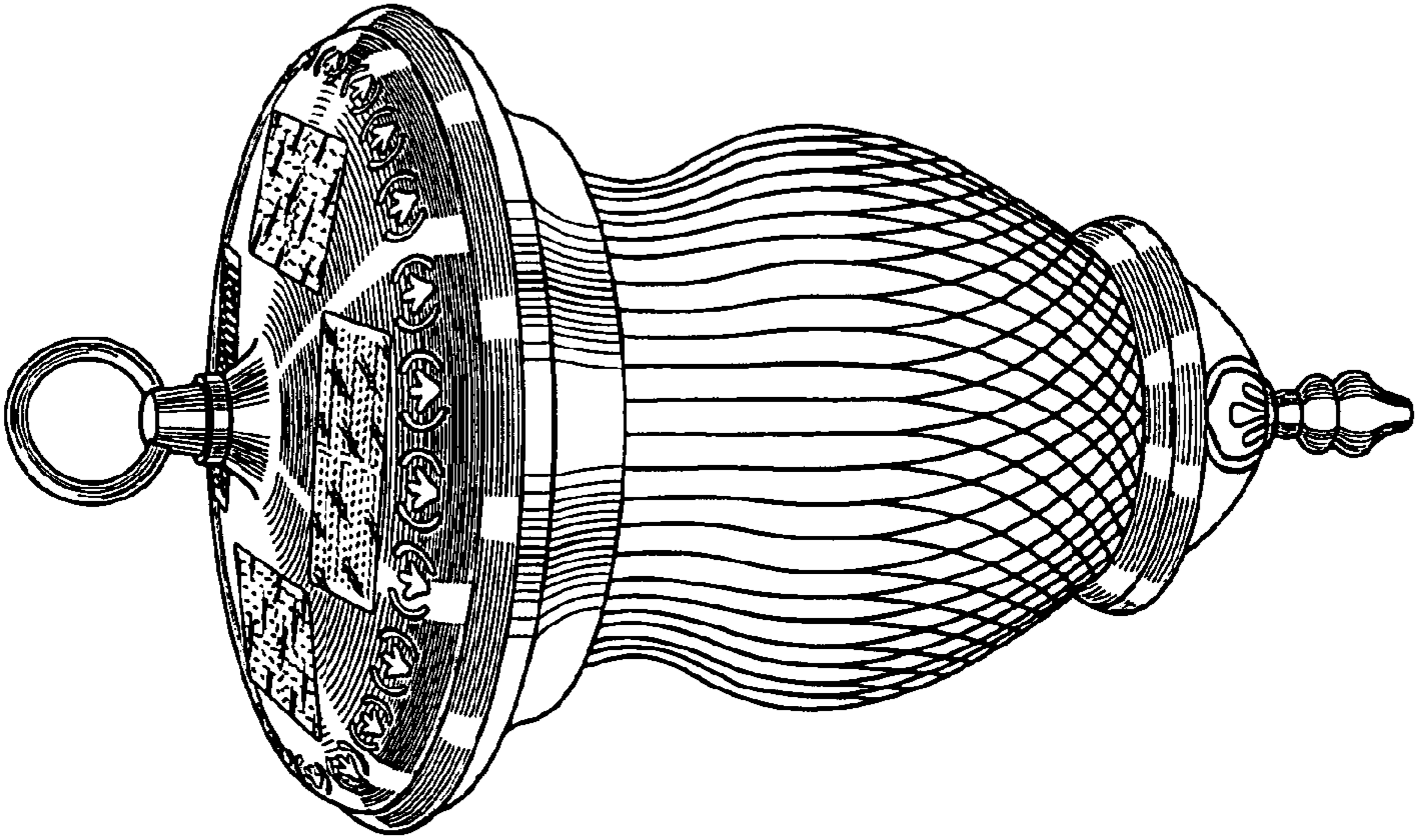


Fig.1



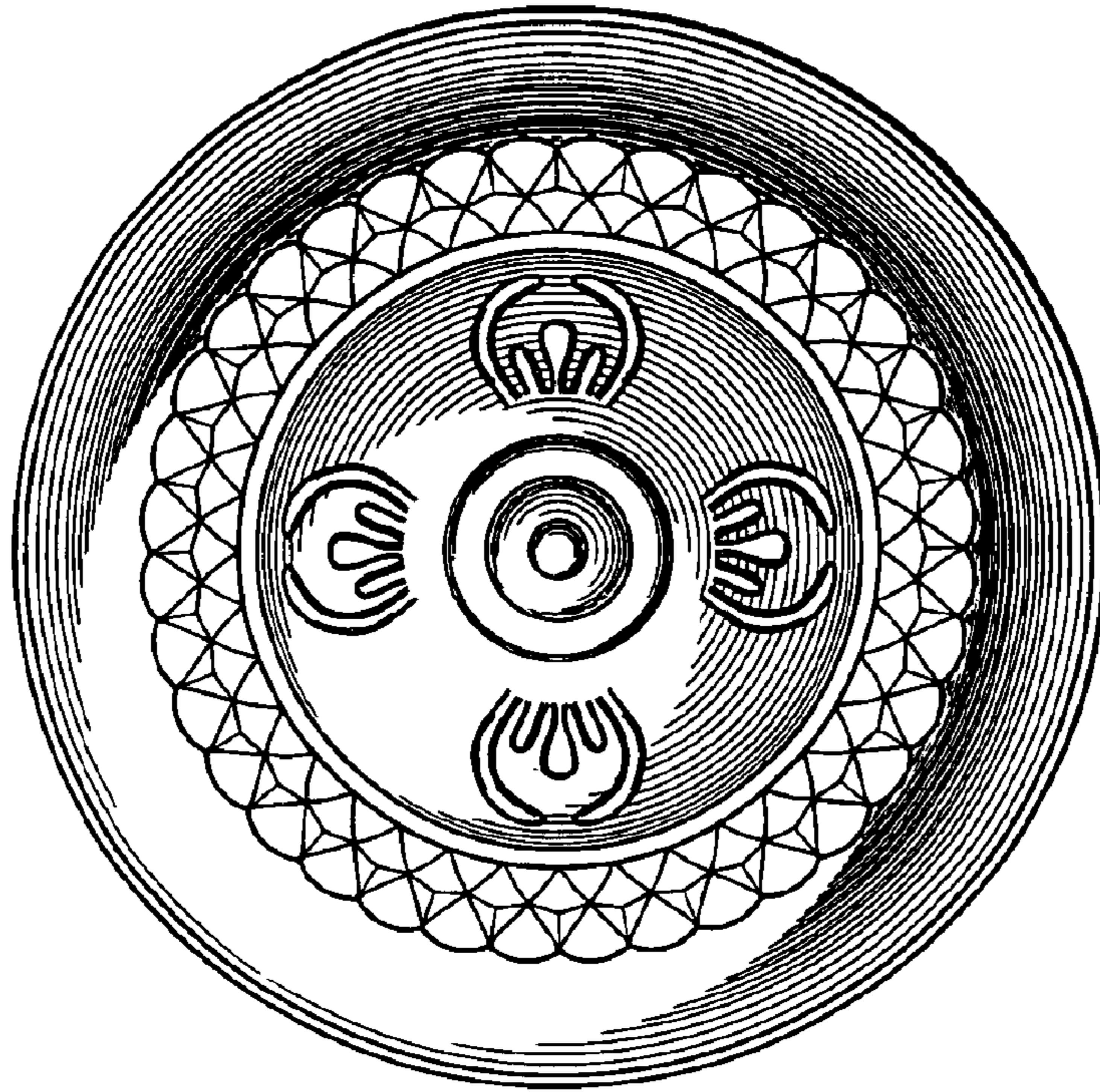


Fig. 5

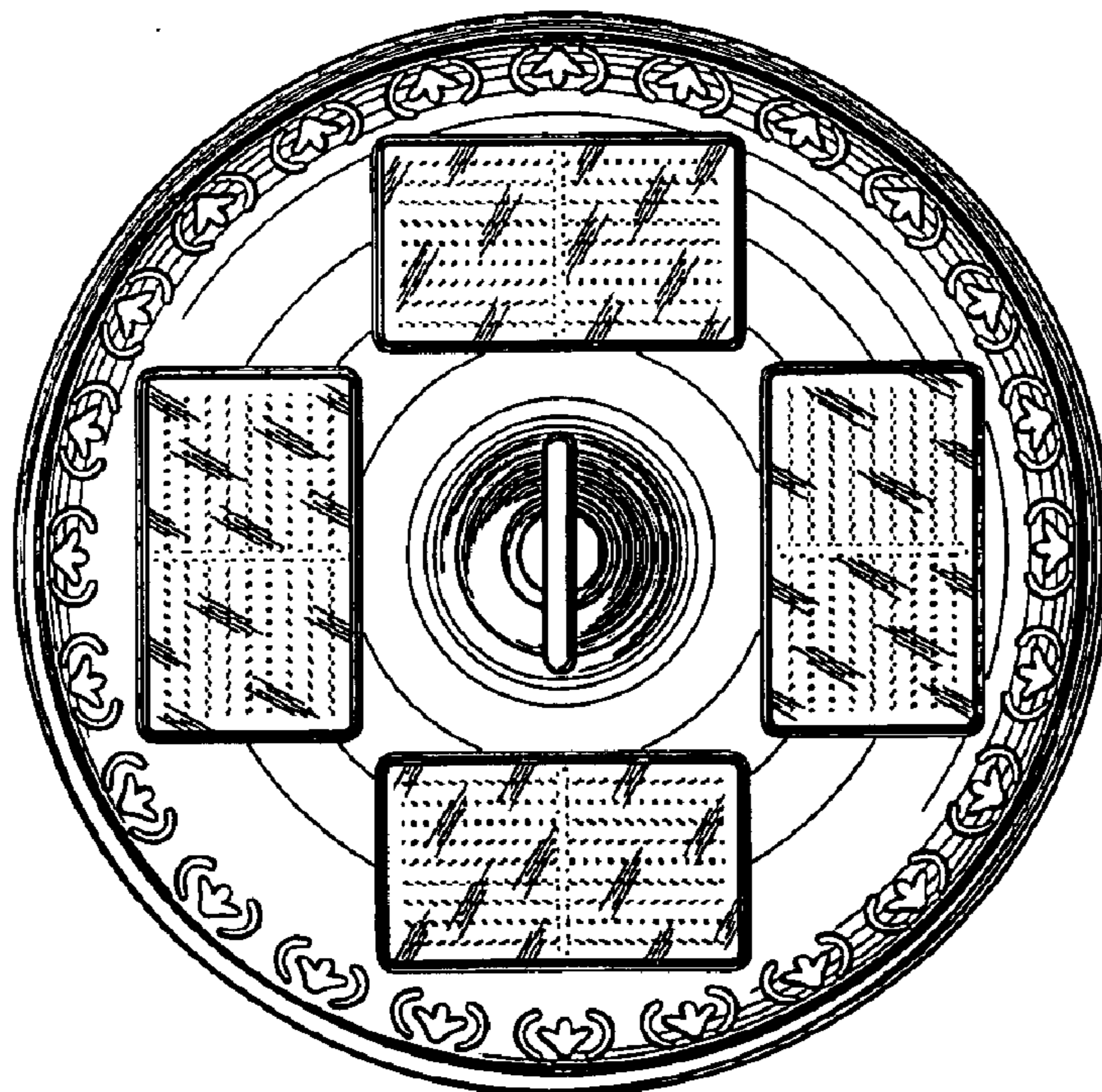


Fig. 4