

US00D505741S

(12) **United States Design Patent**  
**Avery et al.**

(10) **Patent No.: US D505,741 S**

(45) **Date of Patent: \*\* May 31, 2005**

(54) **LIGHT DEVICE**

(75) Inventors: **Jason Avery**, Berkeley, CA (US); **John Caldwell**, San Jose, CA (US)

(73) Assignee: **LeapFrog Enterprises, Inc.**, Emeryville, CA (US)

(\*\*) Term: **14 Years**

(21) Appl. No.: **29/185,379**

(22) Filed: **Jun. 26, 2003**

(51) **LOC (7) Cl.** ..... **26-05**

(52) **U.S. Cl.** ..... **D26/60; D26/62**

(58) **Field of Search** ..... **D26/60-66; 362/427, 362/581, 277, 278, 285-288, 396**

(56) **References Cited**

**U.S. PATENT DOCUMENTS**

2,648,762	A	*	8/1953	Dunkelberger	.....	362/198
3,103,723	A	*	9/1963	Becker	.....	24/3.12
D255,275	S		6/1980	Brown		
D295,589	S		5/1988	Walker		
D314,246	S	*	1/1991	Bache	.....	D26/62
D337,839	S	*	7/1993	Zeller	.....	D26/43
5,567,115	A	*	10/1996	Carbone	.....	362/198
D381,448	S		7/1997	Chen		
D387,457	S	*	12/1997	Bennett	.....	D26/62

D428,177	S		7/2000	Chan		
D436,202	S	*	1/2001	Chen	.....	D26/60
D446,873	S	*	8/2001	Fisher et al.	.....	D26/60

\* cited by examiner

*Primary Examiner*—Clare E Heflin

(74) *Attorney, Agent, or Firm*—Townsend and Townsend and Crew LLP

(57) **CLAIM**

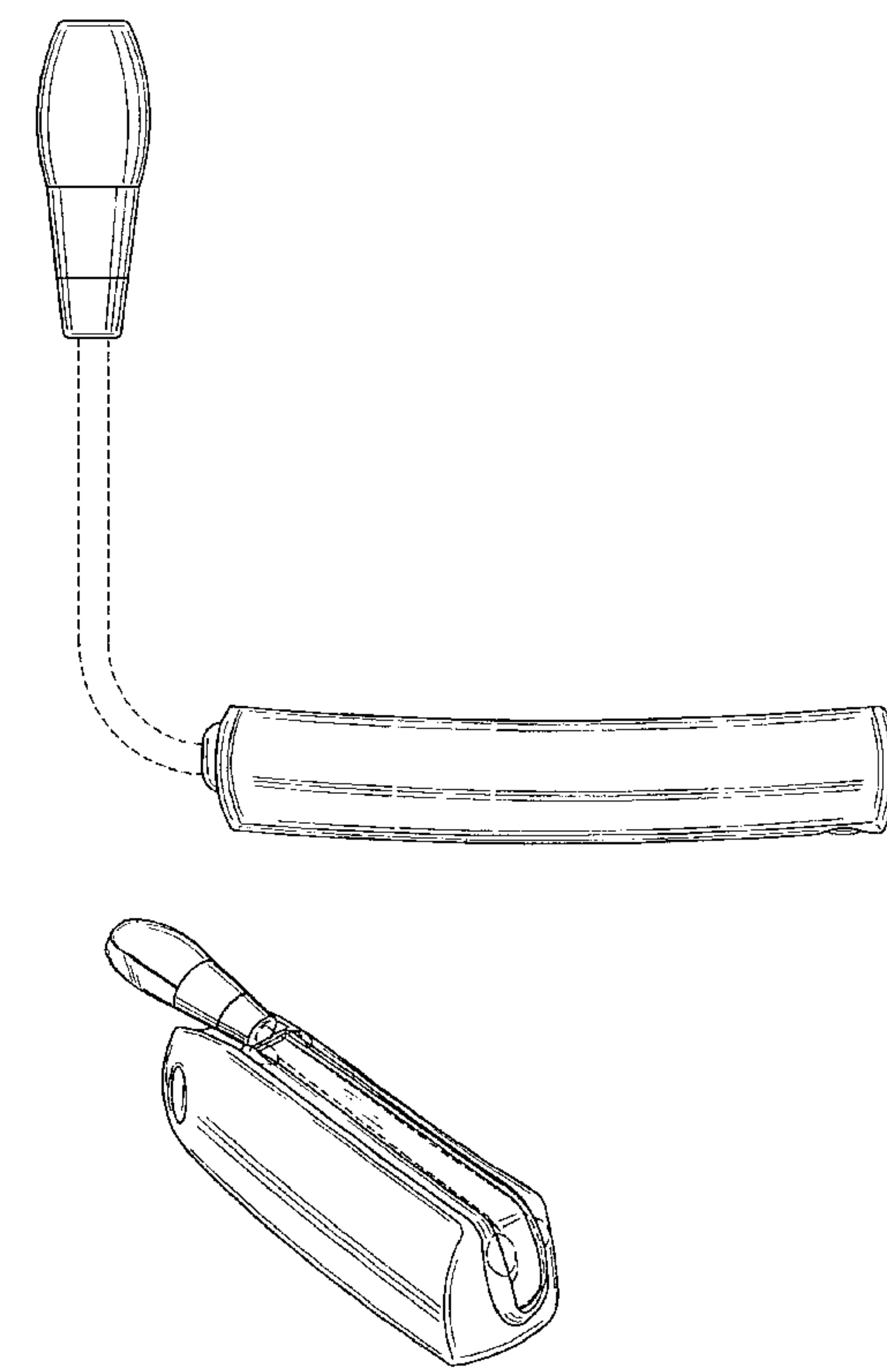
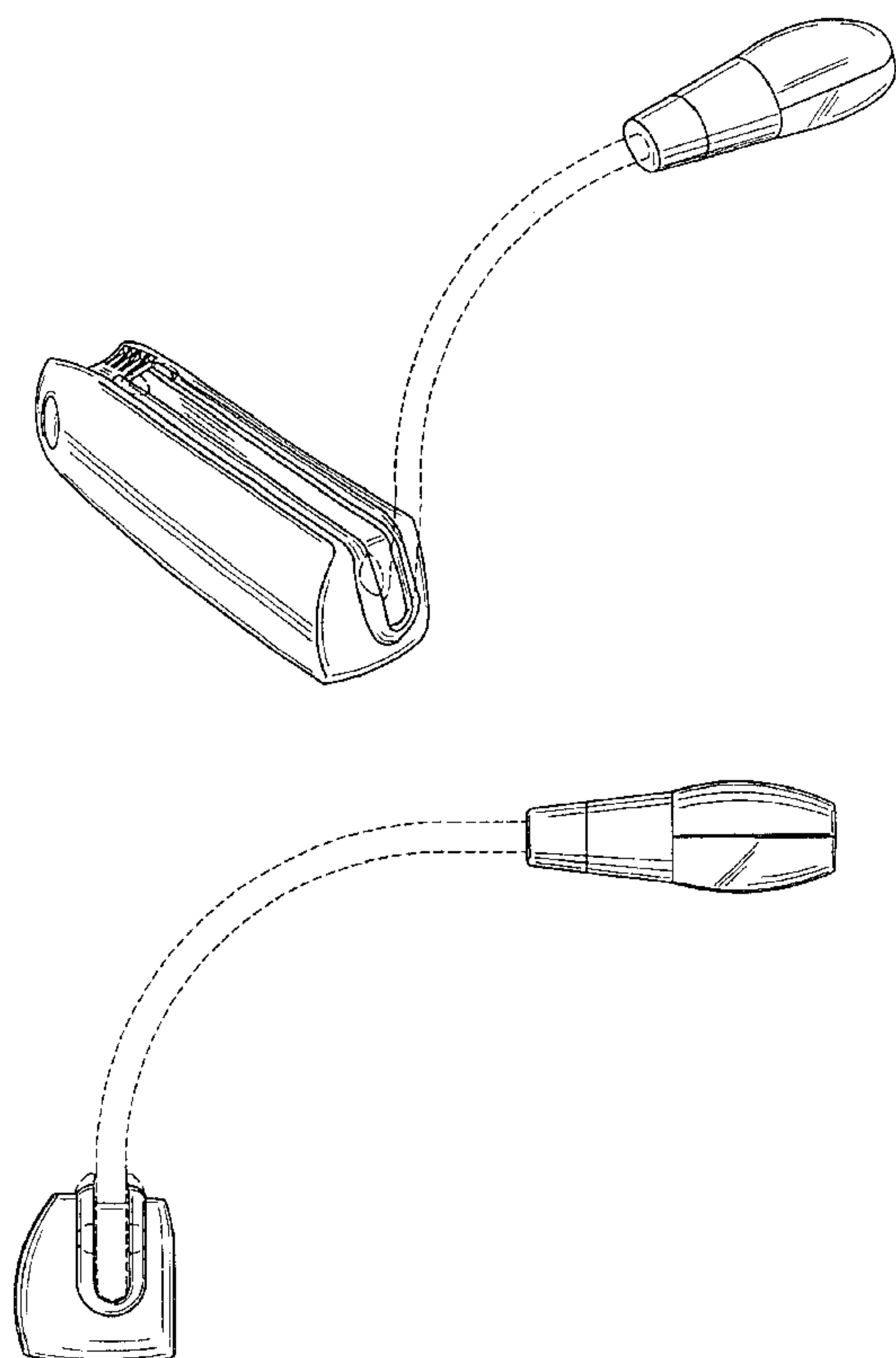
The ornamental design for a light device, as shown and described.

**DESCRIPTION**

FIG. 1 is a perspective view of a light device showing our new design in an open position;  
FIG. 2 is rear elevation view thereof;  
FIG. 3 is a left side elevation view thereof;  
FIG. 4 is a front elevation view thereof;  
FIG. 5 is a right side elevation view thereof;  
FIG. 6 is a top plan view thereof;  
FIG. 7 is a bottom plan view thereof; and,  
FIG. 8 is a perspective view of the light device in a closed position.

The broken lines shown on the drawings form no part of the claimed design.

**1 Claim, 5 Drawing Sheets**



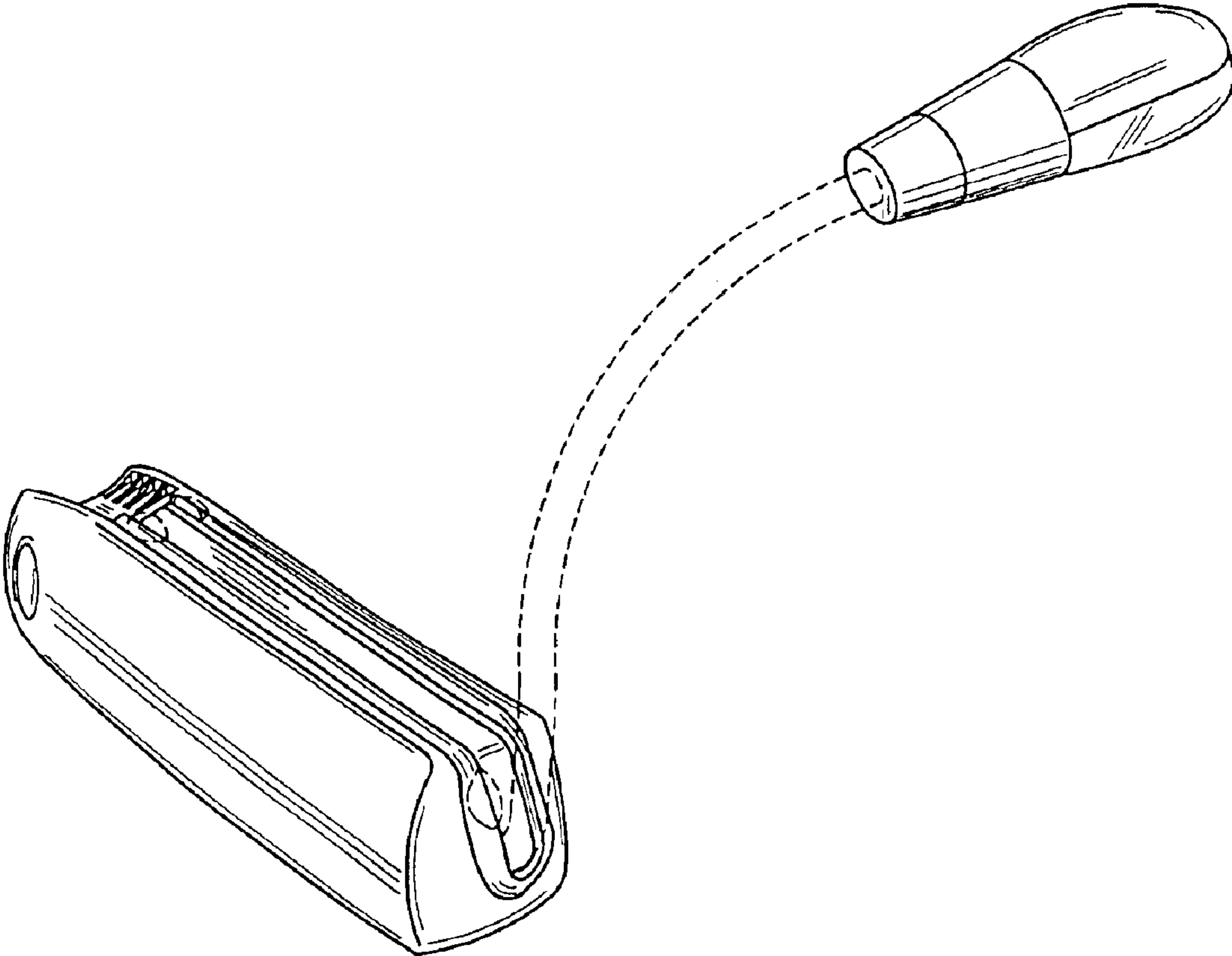


FIG. 1

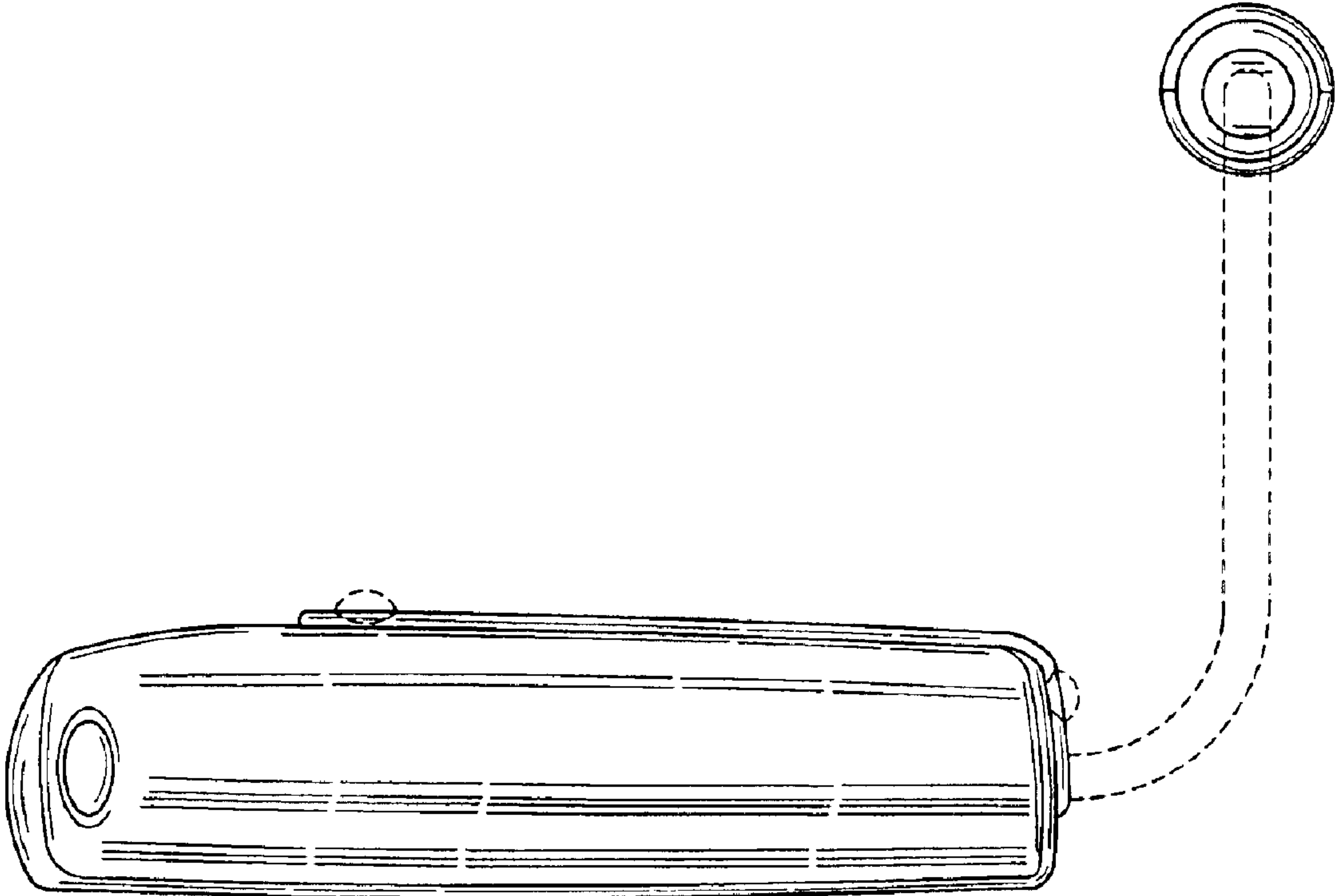


FIG. 2

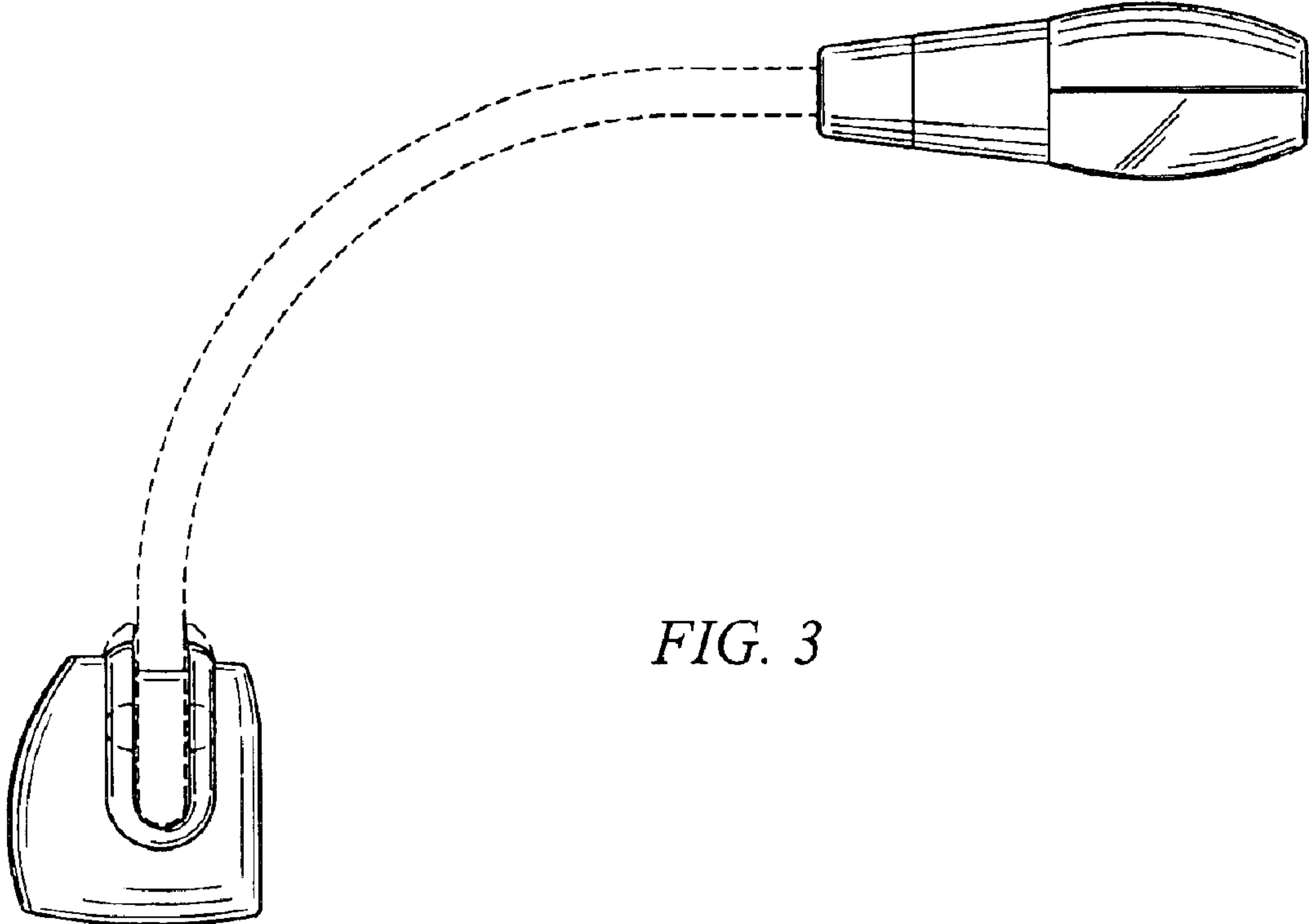


FIG. 3

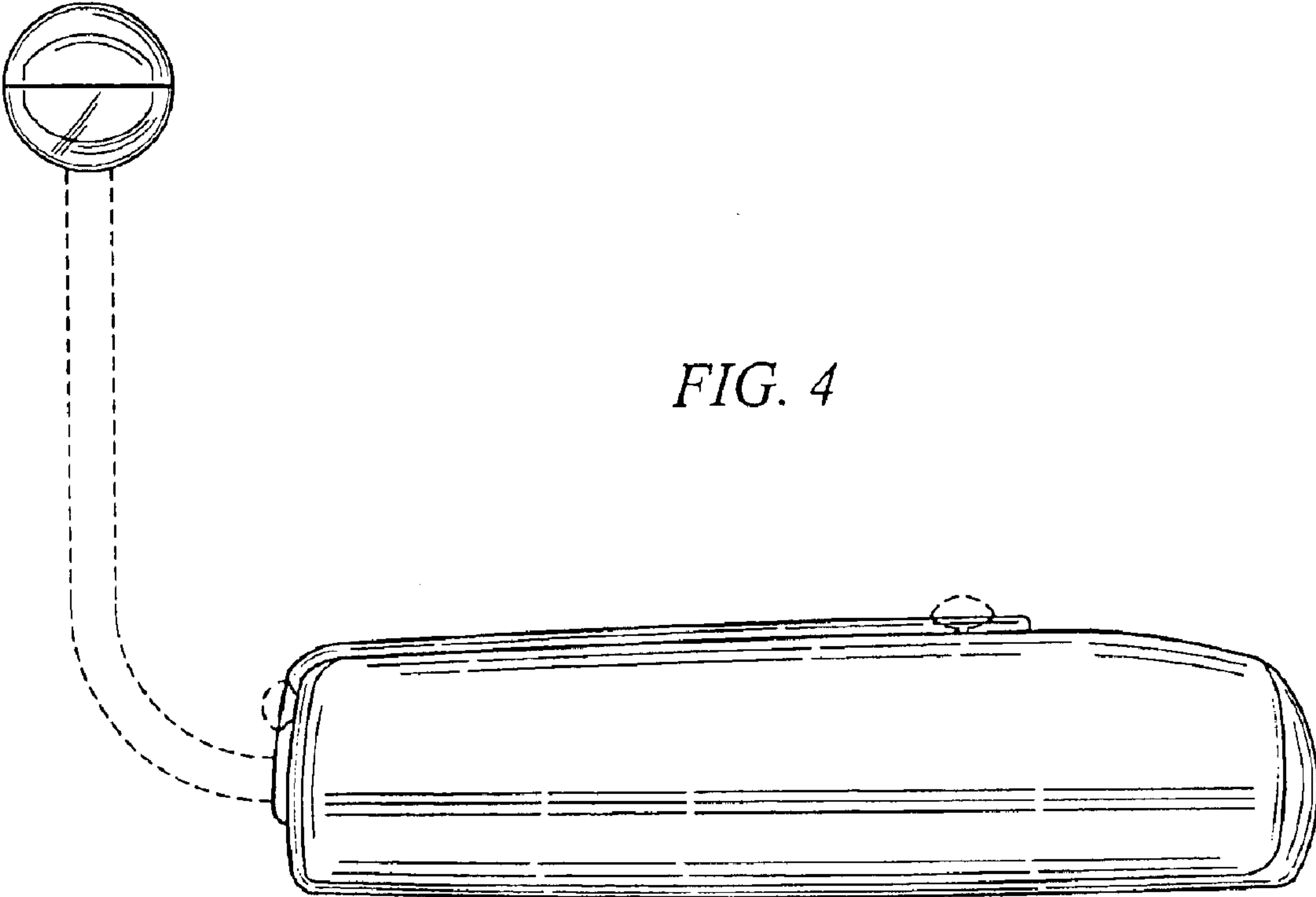


FIG. 4

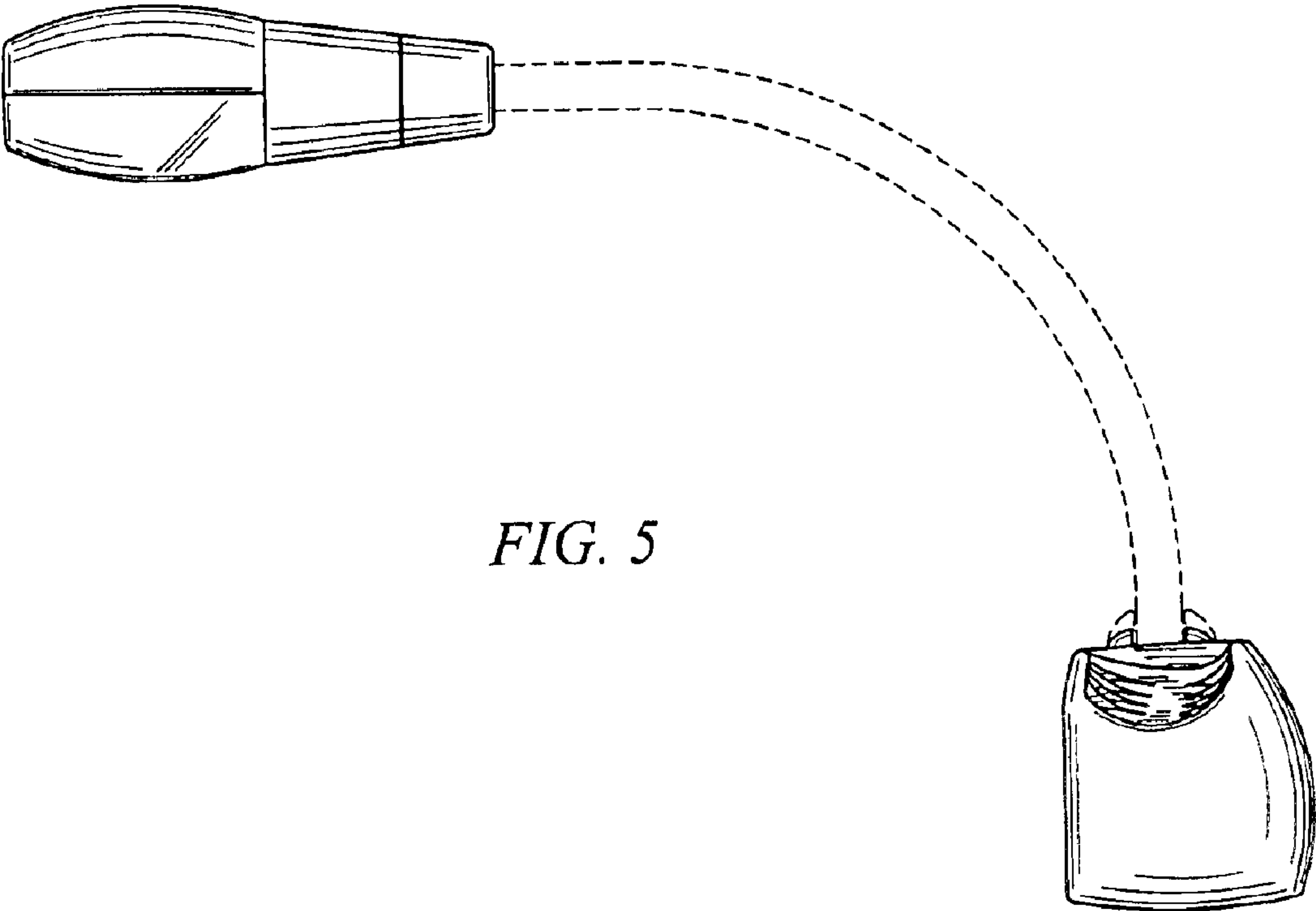


FIG. 5

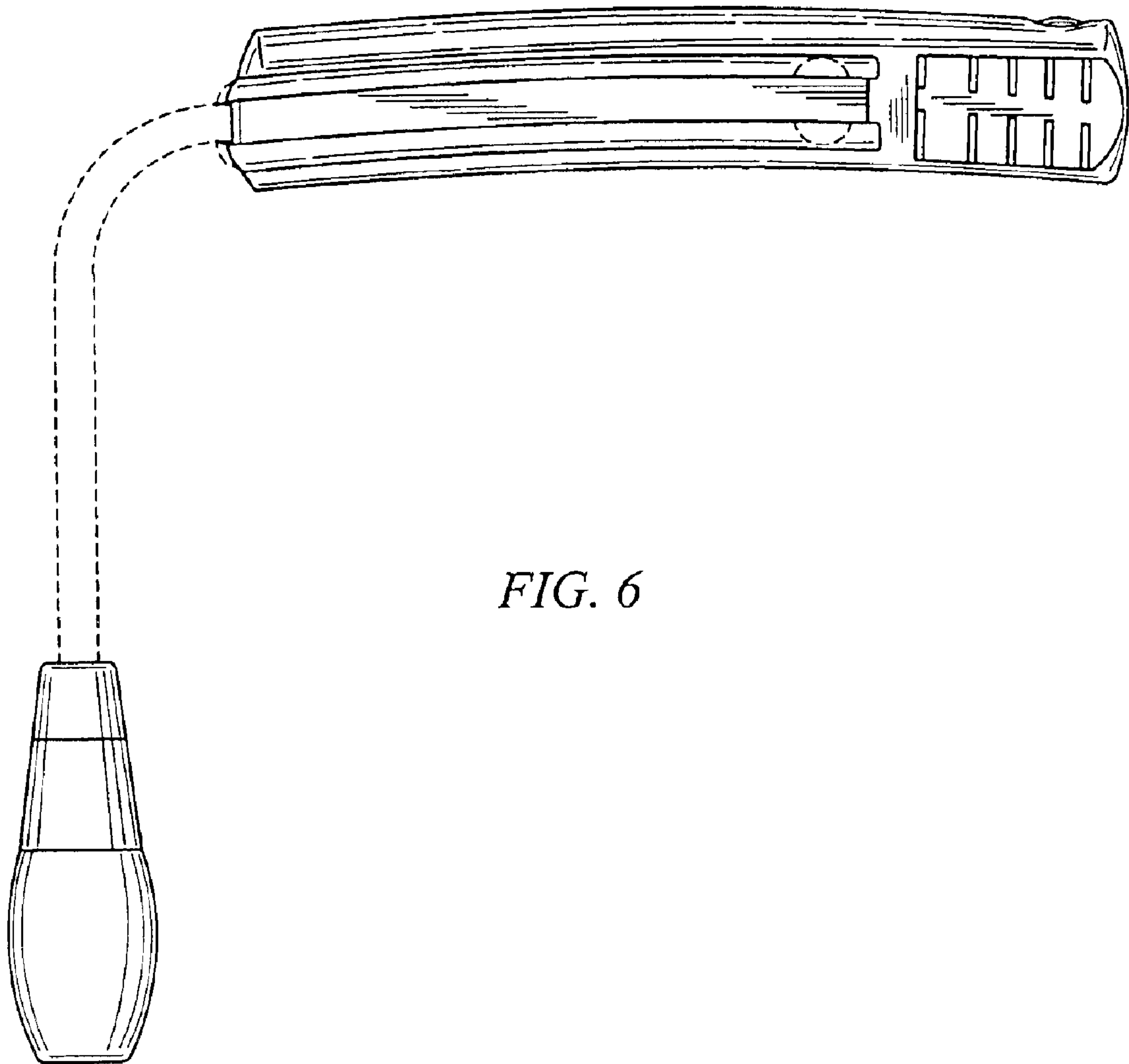


FIG. 6

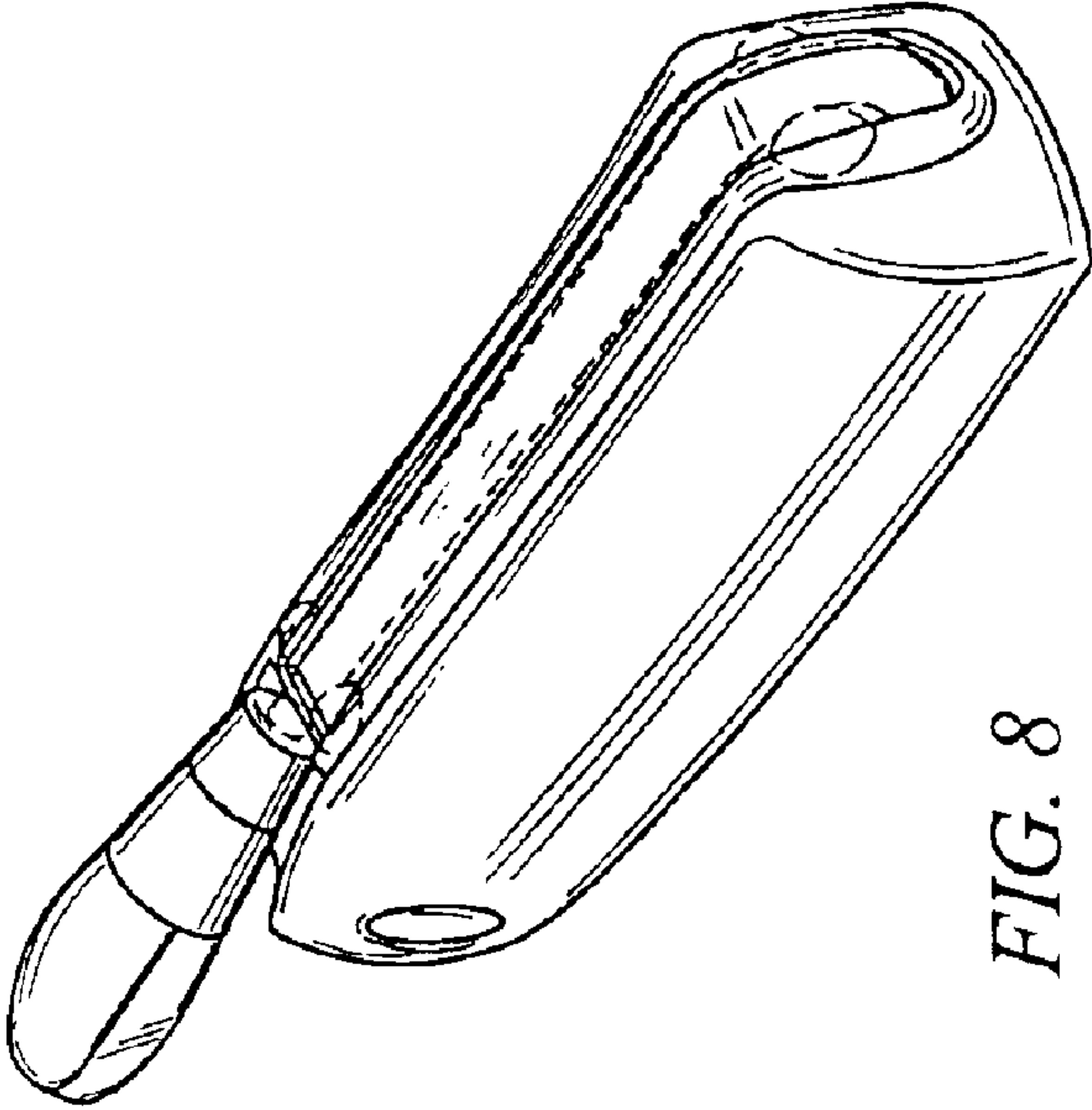


FIG. 8

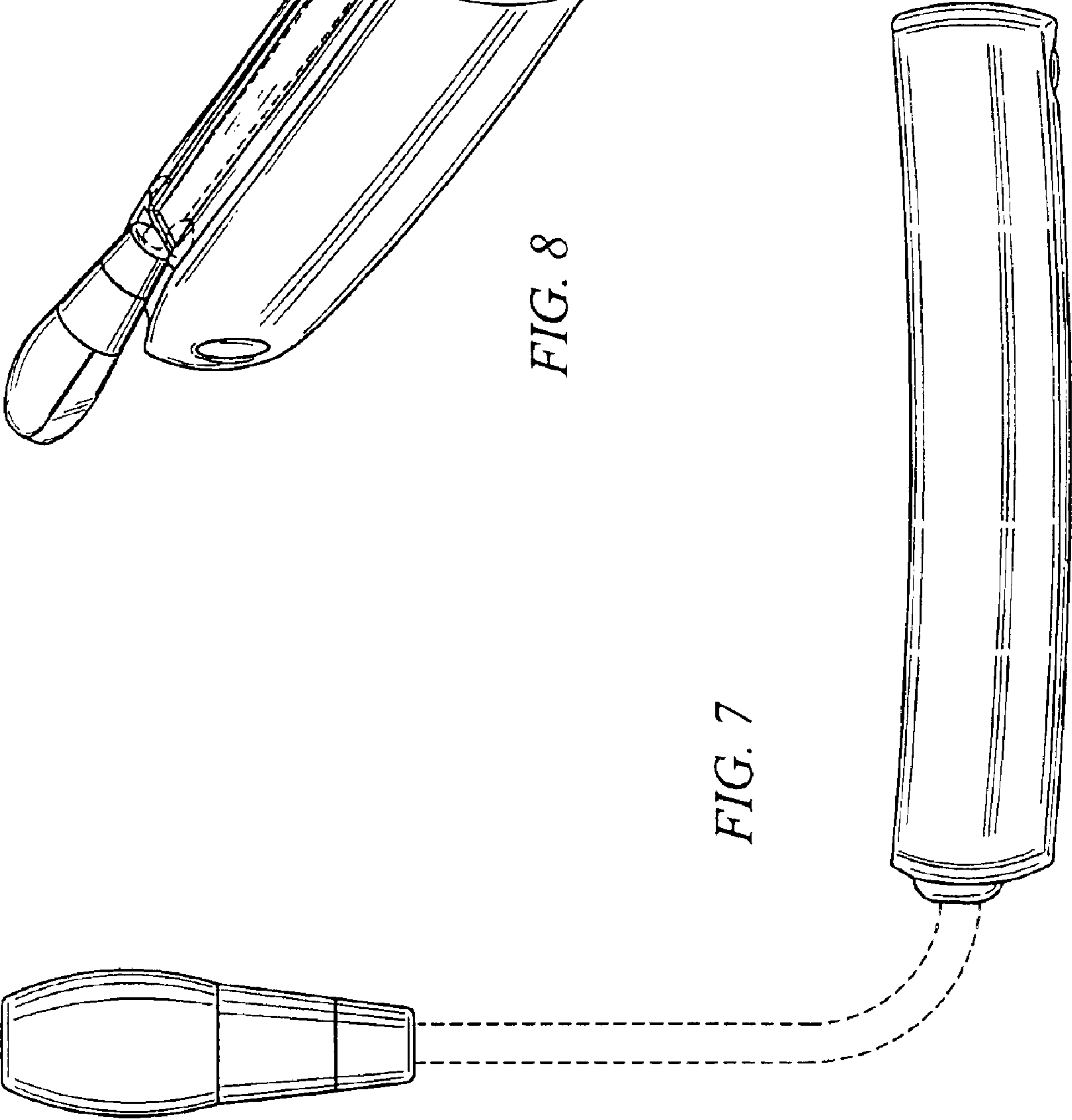


FIG. 7