

US00D505737S

(12) **United States Design Patent**
Beranek et al.

(10) **Patent No.:** **US D505,737 S**

(45) **Date of Patent:** **** May 31, 2005**

(54) **FISHTAIL CHAMFER**

6,702,659 B1 * 3/2004 Moncrieff et al. 451/358

(75) Inventors: **Chris Beranek**, Cumming, IA (US);
Jim Johnson, Clive, IA (US)

* cited by examiner

Primary Examiner—Doris Clark

(73) Assignee: **Wilian Holding Company**, Des Moines, IA (US)

(74) *Attorney, Agent, or Firm*—Daniel A. Rosenberg; Kent A. Herink; Emily E. Harris

(**) Term: **14 Years**

(57) **CLAIM**

We claim the ornamental design for a fishtail chamfer, as shown and described.

(21) Appl. No.: **29/194,582**

DESCRIPTION

(22) Filed: **Nov. 26, 2003**

(51) **LOC (7) Cl.** **25-99**

FIG. 1 is a perspective view of the fishtail chamfer of the present invention.

(52) **U.S. Cl.** **D25/199; D25/136**

FIG. 2 is a side view of the fishtail chamfer of the present invention, the opposite side view being identical.

(58) **Field of Search** D25/199; 249/13, 249/15; 405/257

FIG. 3 is a top view of the fishtail chamfer of the present invention.

(56) **References Cited**

FIG. 4 is a backview of the fishtail chamfer of the present invention.

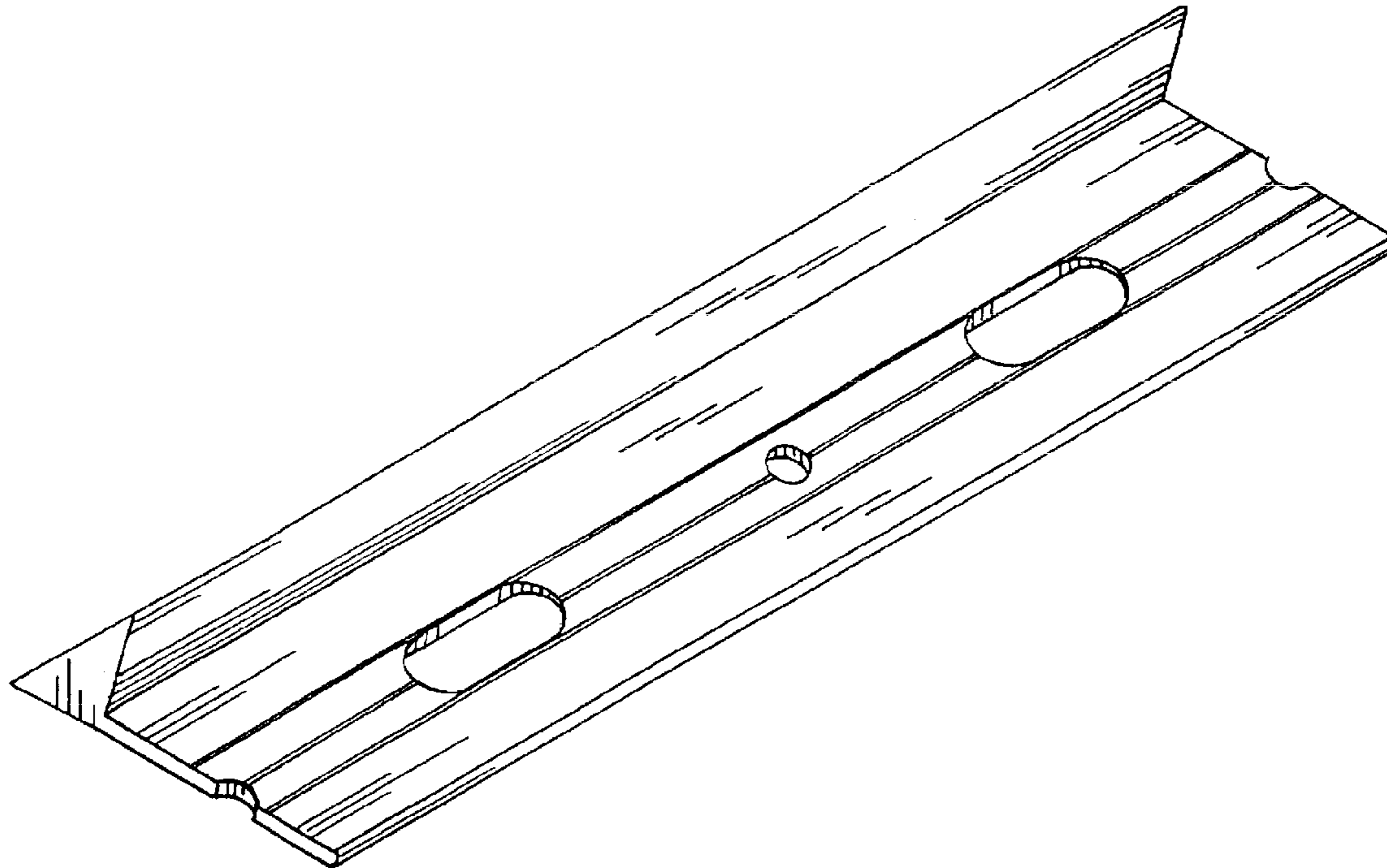
U.S. PATENT DOCUMENTS

FIG. 5 is a front view of the fishtail chamfer of the present invention; and,

5,399,050 A	*	3/1995	Jacobus	405/229
D359,368 S	*	6/1995	Anderson	D25/136
6,488,257 B2	*	12/2002	McSwain	249/219.2
D475,470 S	*	6/2003	Oakley	D25/199

FIG. 6 is a bottom view of the fishtail chamfer of the present invention.

1 Claim, 3 Drawing Sheets



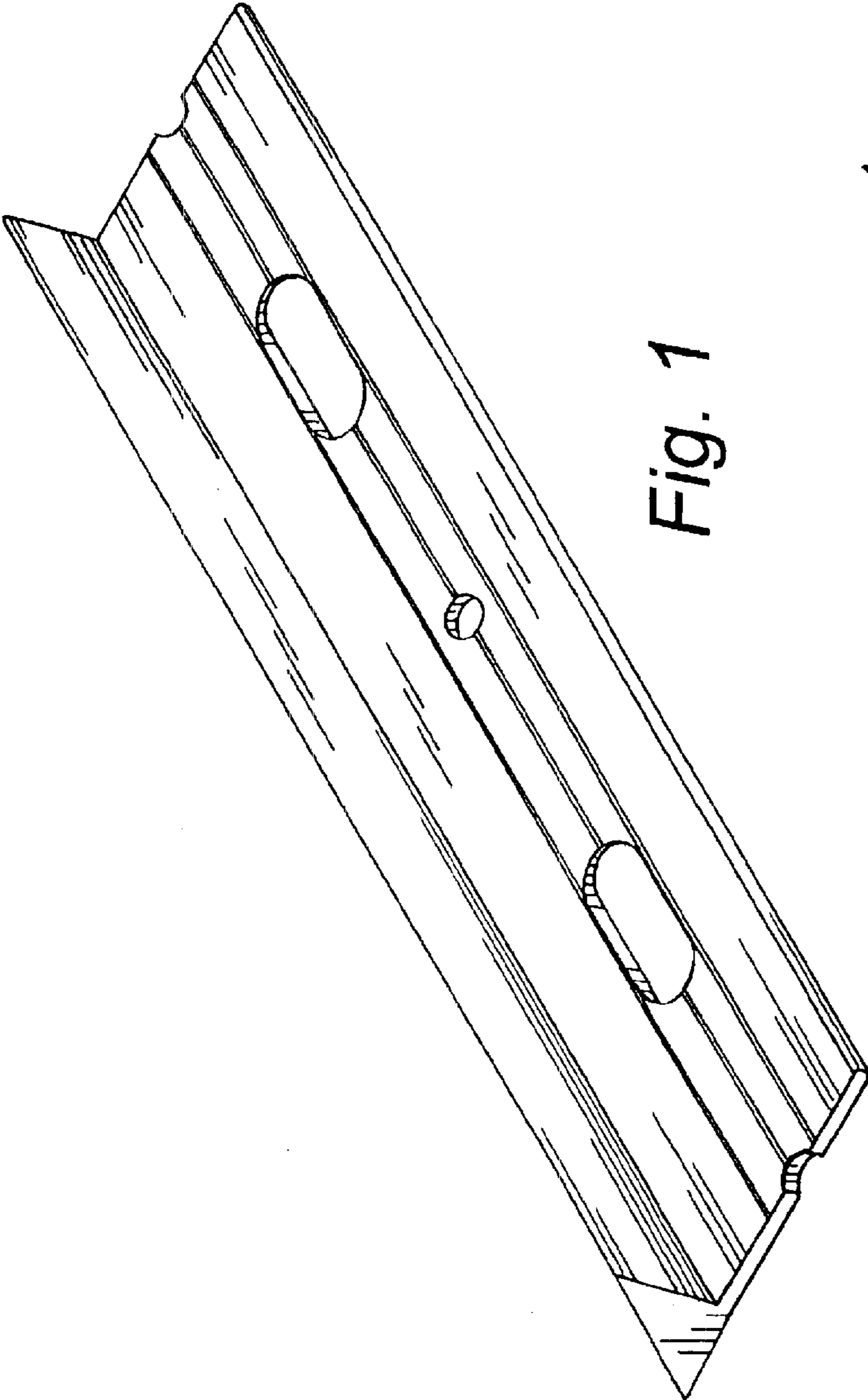


Fig. 1

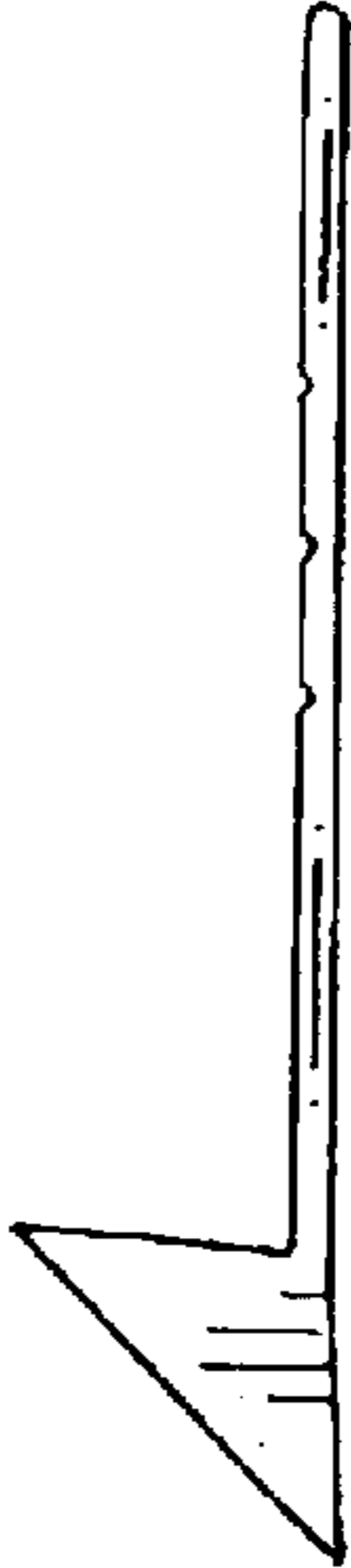


Fig. 2

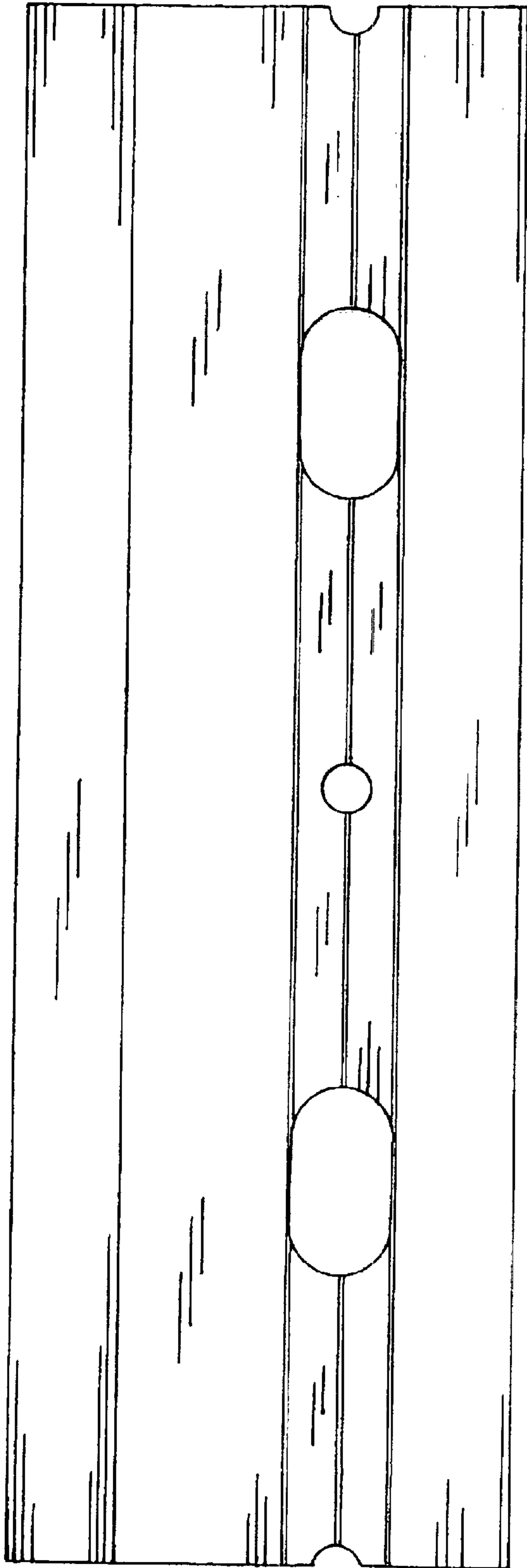


Fig. 3

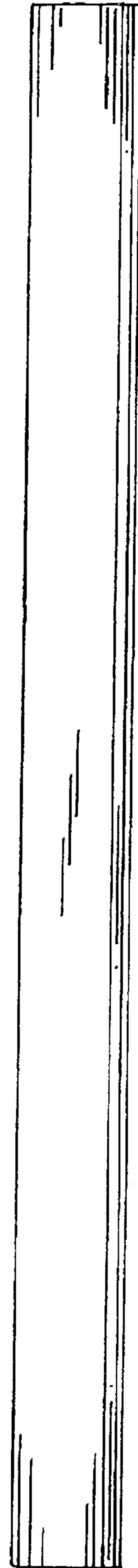


Fig. 4

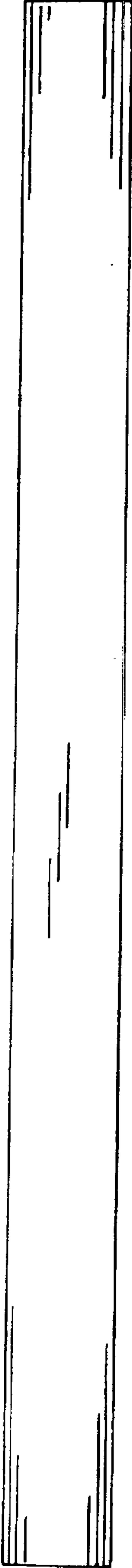


Fig. 5

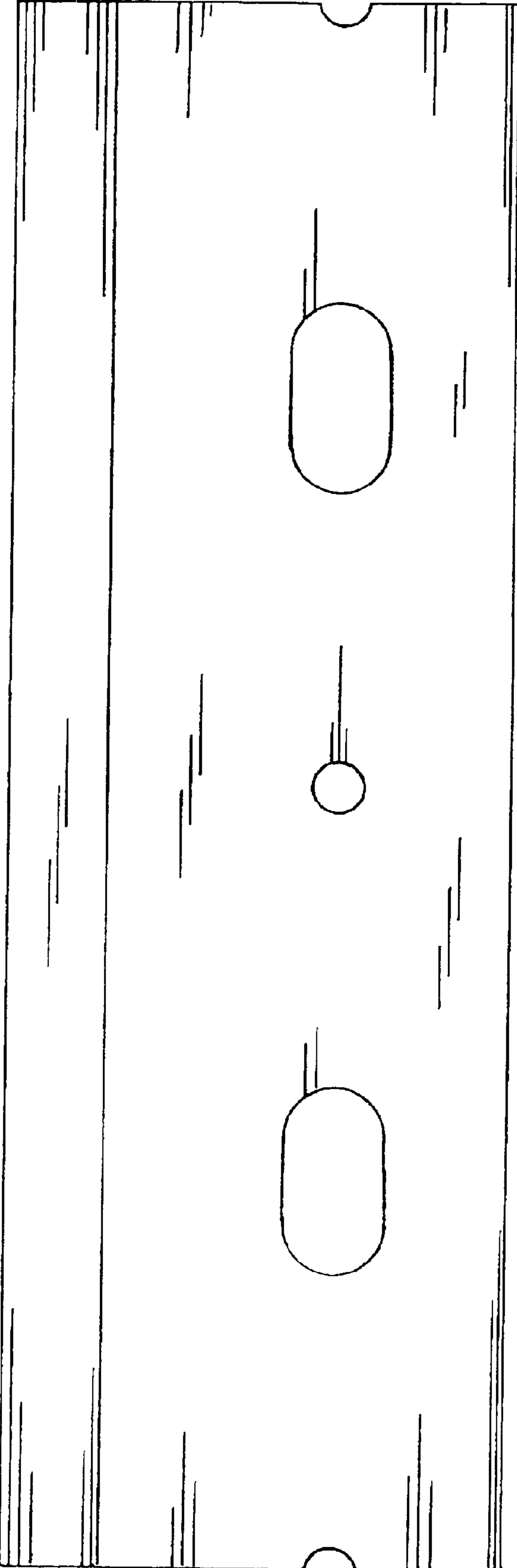


Fig. 6