



US00D505735S

(12) **United States Design Patent**
Franson

(10) **Patent No.:** **US D505,735 S**
(45) **Date of Patent:** **** May 31, 2005**

(54) **WINDOW COMPONENT EXTRUSION**

(75) **Inventor:** **Jeffrey R. Franson**, Maple Valley, WA (US)

(73) **Assignee:** **Mikron Industries, Inc.**, Kent, WA (US)

(**) **Term:** **14 Years**

(21) **Appl. No.:** **29/200,104**

(22) **Filed:** **Feb. 24, 2004**

(51) **LOC (7) Cl.** **25-01**

(52) **U.S. Cl.** **D25/124**

(58) **Field of Search** D25/124, 125;
52/204.5, 761, 474; 49/DIG. 2, 504

(56) **References Cited**

U.S. PATENT DOCUMENTS

D366,333 S 1/1996 Franson
D369,419 S 4/1996 Franson
D470,251 S * 2/2003 Cole D25/124

OTHER PUBLICATIONS

Mikron Part No. 7383; First Drawn: Jun. 4, 1994, First Sold: Jun. 19, 1996.

Mikron Part No. 8200; First Drawn: Aug. 11, 2000, First Sold: Jan. 15, 2001.

* cited by examiner

Primary Examiner—Doris Clark

(74) *Attorney, Agent, or Firm*—Black Lowe & Graham PLLC

(57) **CLAIM**

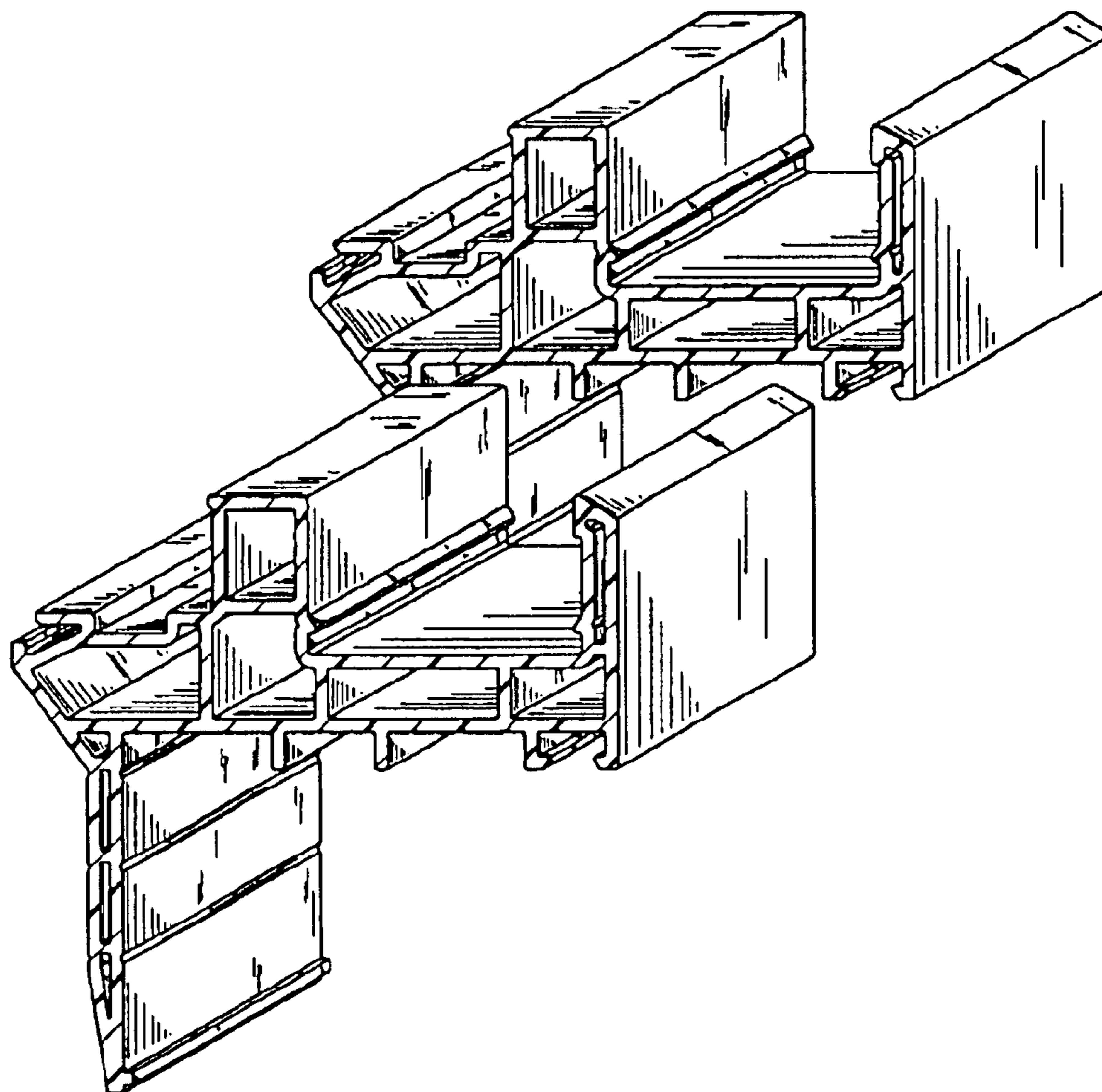
The ornamental design for a window component extrusion, as shown and described.

DESCRIPTION

FIG. 1 is a top right perspective view of the window component extrusion which is broken in the center indicating indefinite length; and,

FIG. 2 is a bottom left perspective view of the window component extrusion shown in FIG. 1.

1 Claim, 1 Drawing Sheet



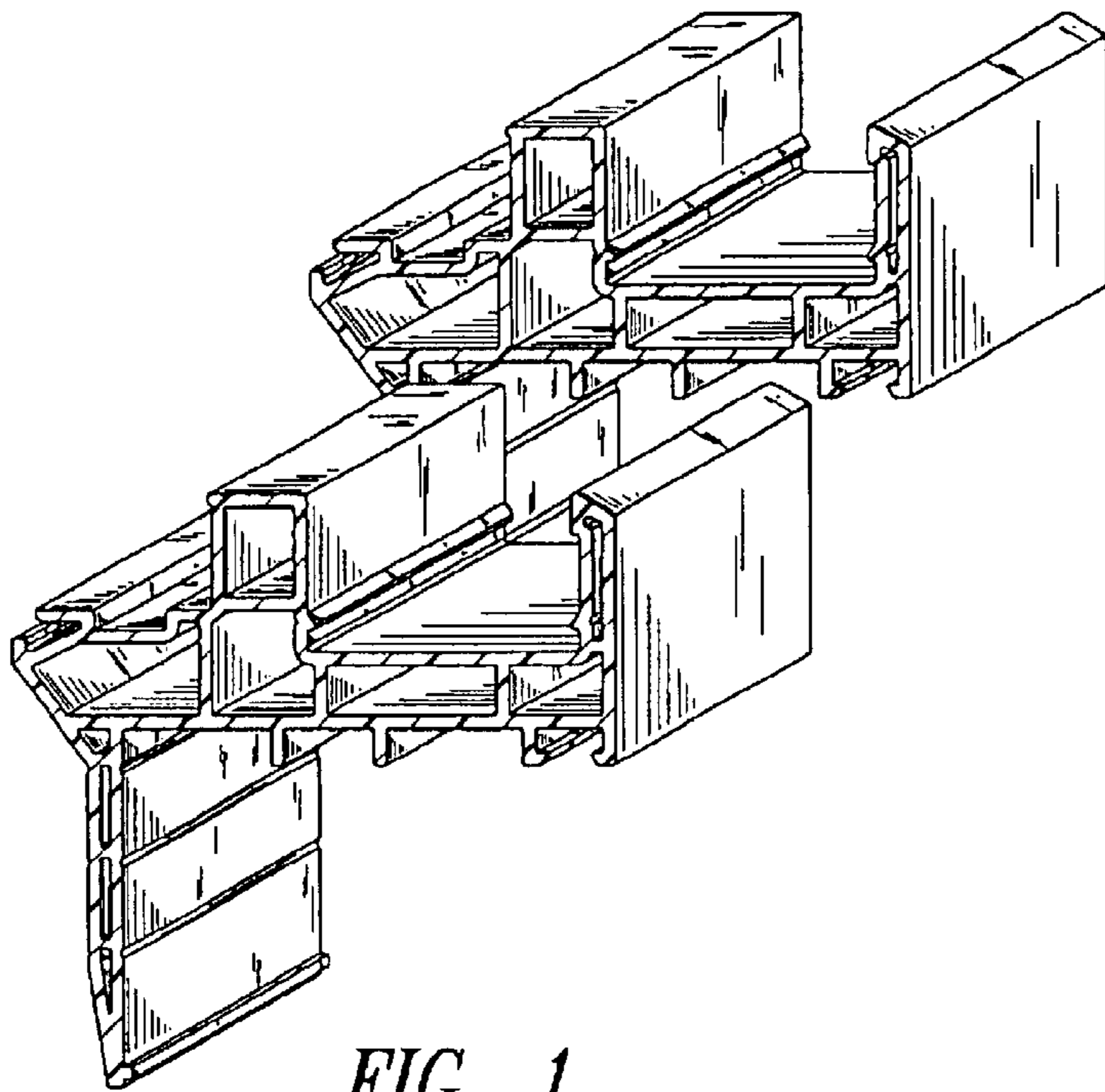


FIG. 1

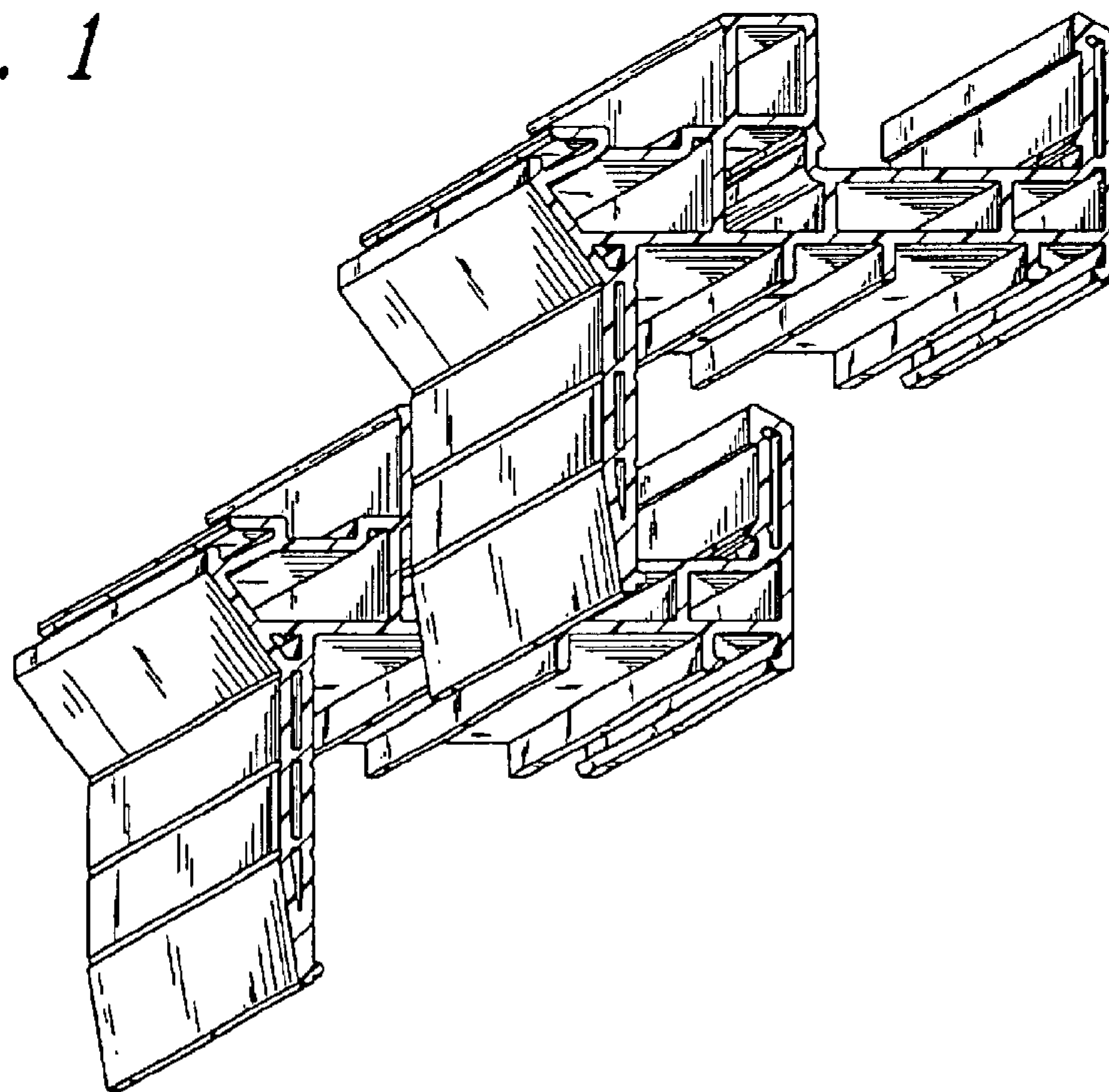


FIG. 2