

US00D505734S

(12) **United States Design Patent**
Rintamaki

(10) **Patent No.:** **US D505,734 S**

(45) **Date of Patent:** **** May 31, 2005**

(54) **WALL EXTRUSION**

D474,549 S * 5/2003 Krieger D25/136

(75) **Inventor:** **George Rintamaki, Newmarket (CA)**

* cited by examiner

(73) **Assignee:** **Contemporary Walls, Mississauga (CA)**

Primary Examiner—Doris Clark

(74) *Attorney, Agent, or Firm*—Eugene J.A. Giercza

(**) **Term:** **14 Years**

(57) **CLAIM**

The ornamental design for the “wall extrusion,” as shown and described.

(21) **Appl. No.:** **29/193,188**

(22) **Filed:** **Nov. 6, 2003**

DESCRIPTION

(51) **LOC (7) Cl.** **25-01**

FIG. 1 is a cross-sectional view of the broken central rear end of the wall extrusion in FIG. 2.

(52) **U.S. Cl.** **D25/121**

FIG. 2 is a perspective view of the broken central rear end of the wall extrusion broken in the center indicating in definite length.

(58) **Field of Search** D25/121; 52/481.1, 52/459, 461

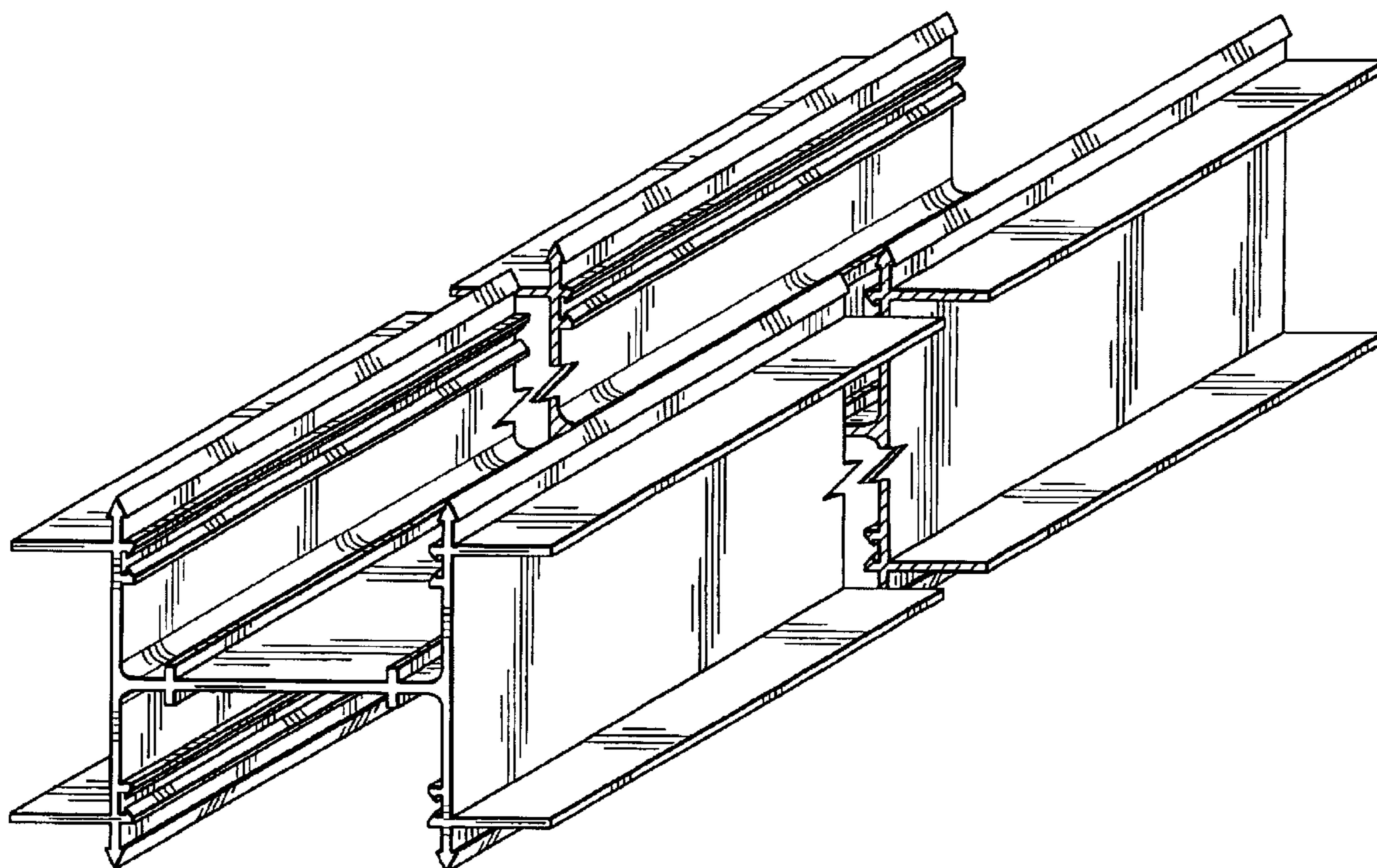
FIG. 3 is a side elevational view of the wall extrusion; and, FIG. 4 is a top plan view of the wall extrusion.

(56) **References Cited**

U.S. PATENT DOCUMENTS

- 4,463,534 A * 8/1984 Crigler 52/395
- 6,553,731 B2 * 4/2003 Hsueh 52/239

1 Claim, 2 Drawing Sheets



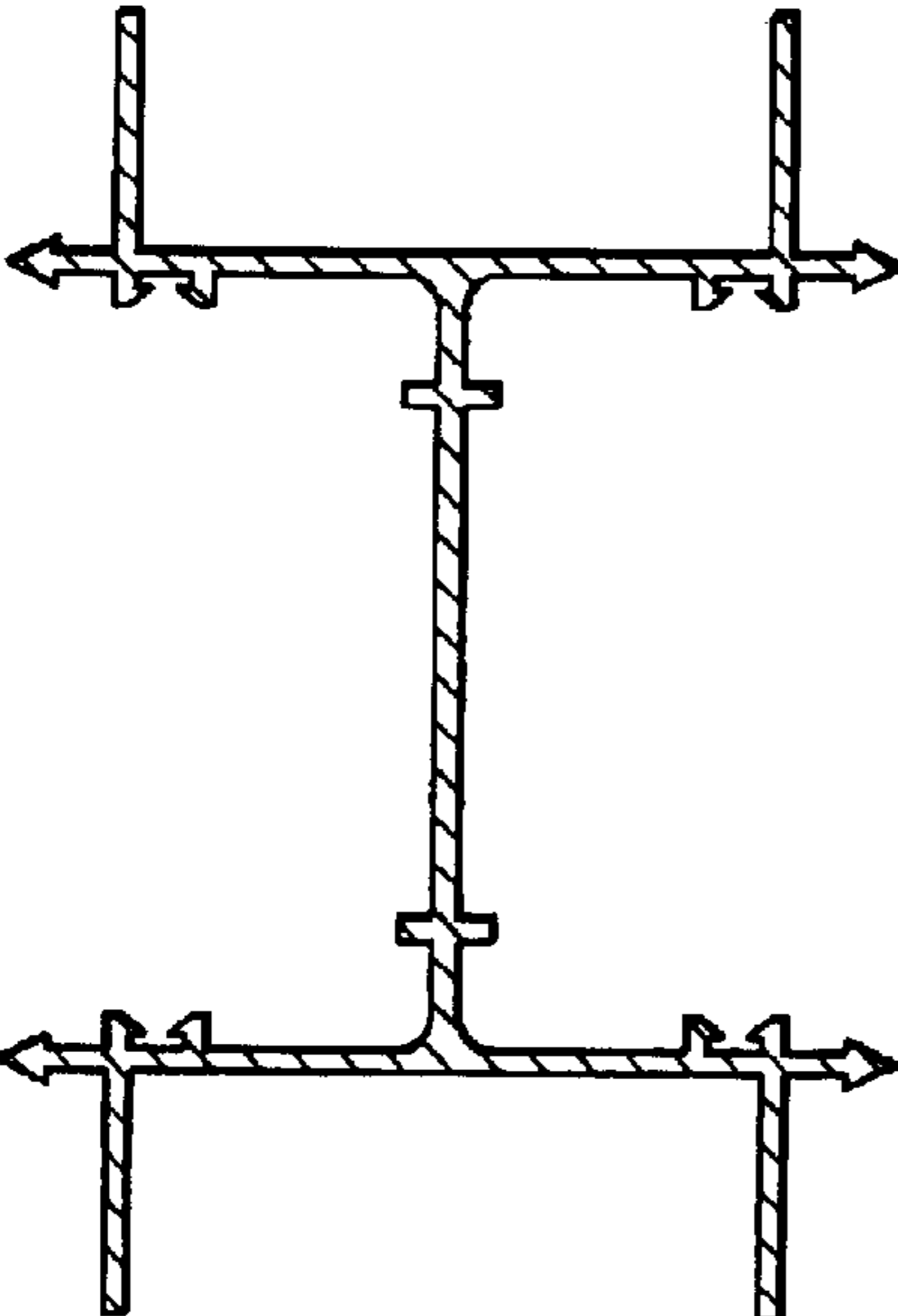


FIG. 1

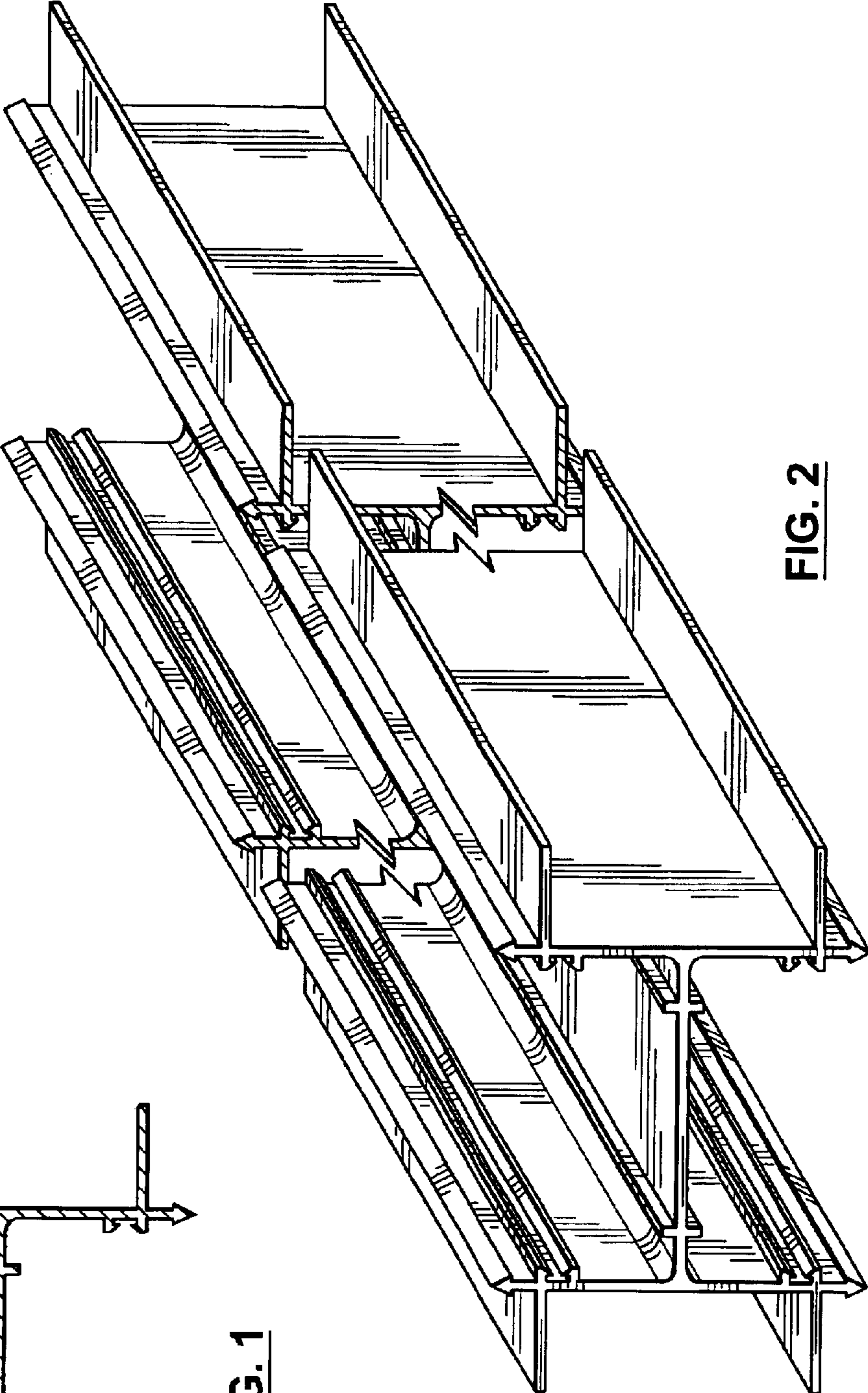


FIG. 2

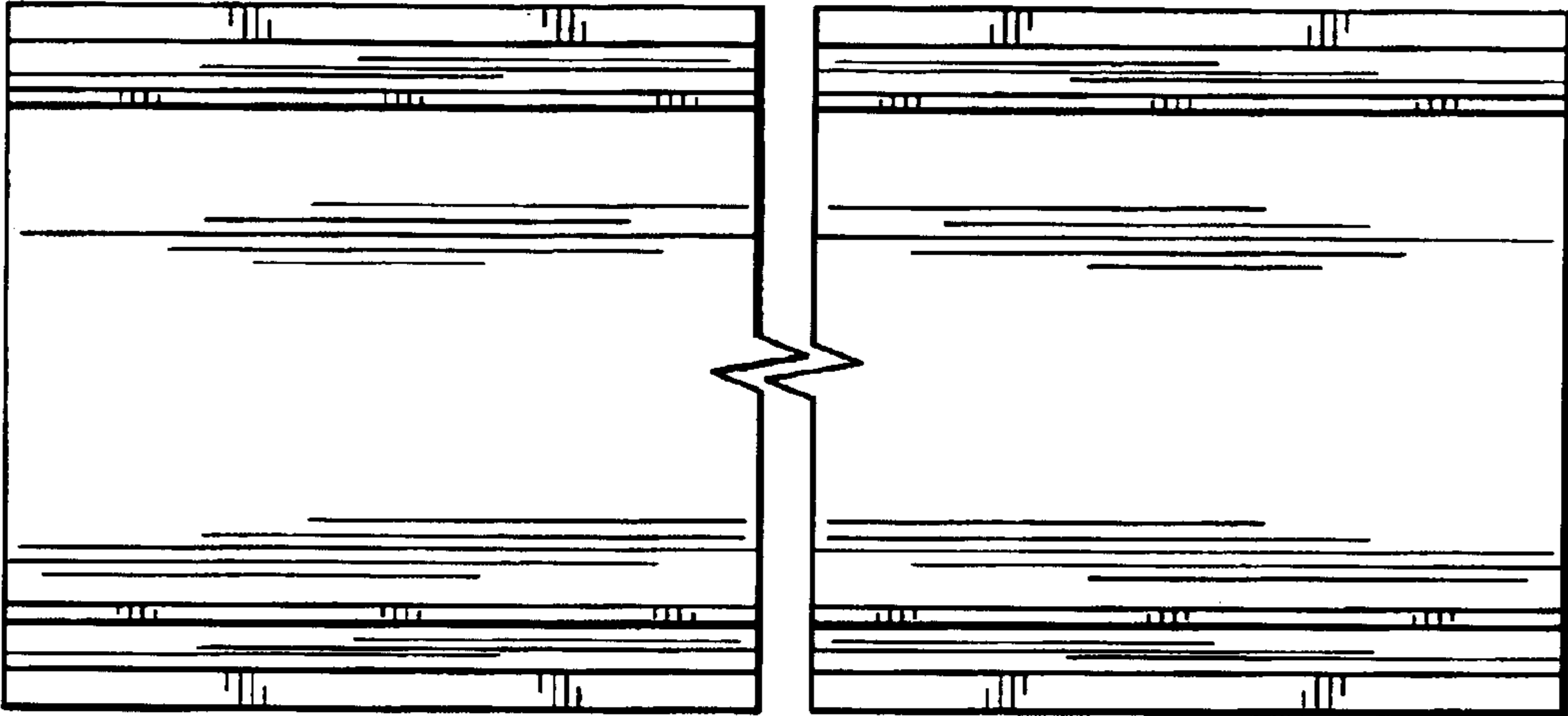


FIG. 3

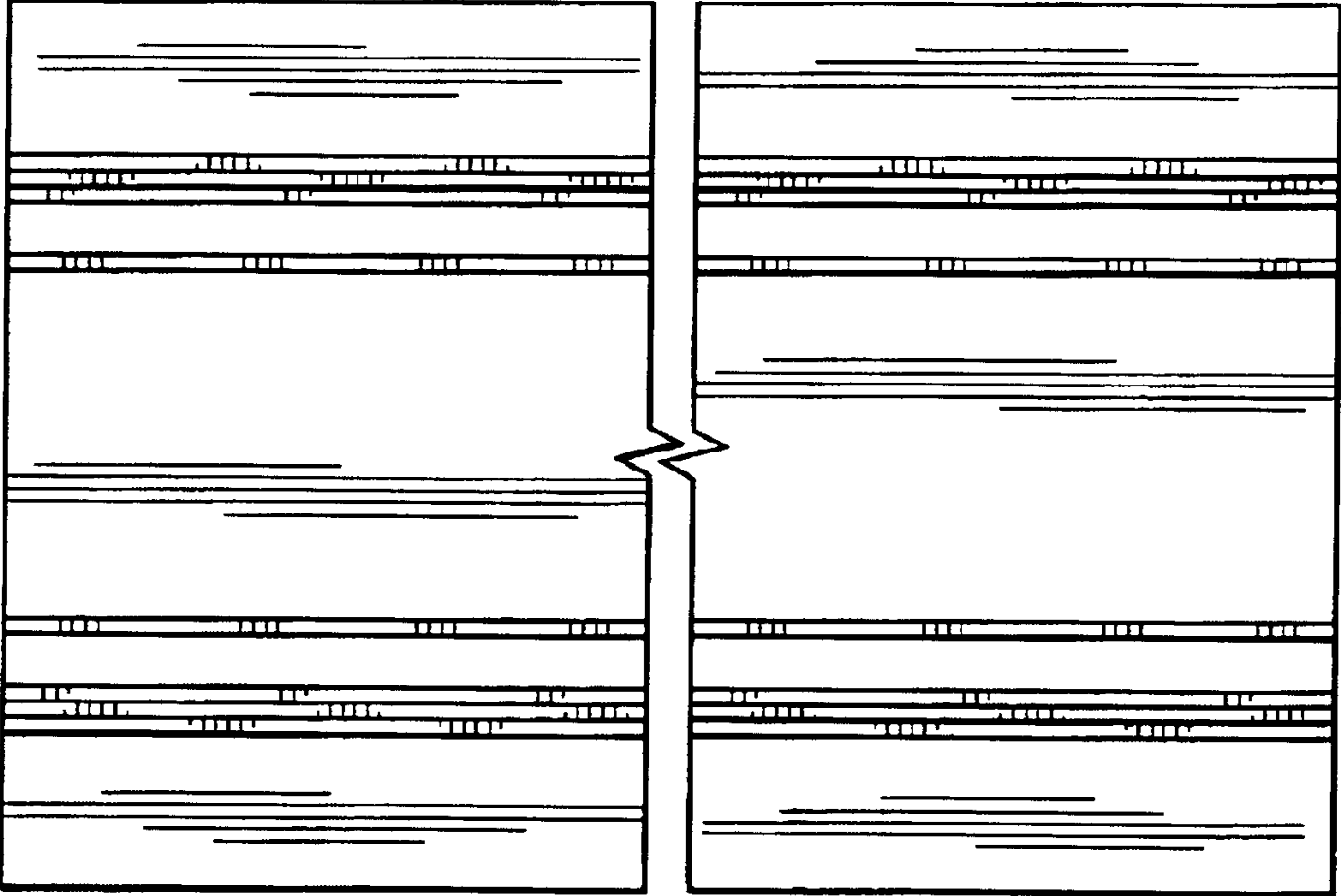


FIG. 4