

US00D505723S

(12) **United States Design Patent** (10) **Patent No.:** **US D505,723 S**
Young (45) **Date of Patent:** **** May 31, 2005**

- (54) **CEILING FAN BLADE IRON**
 (75) Inventor: **Stanfield Young**, Garden Grove, CA (US)
 (73) Assignee: **Minka Lighting, Inc.**, Corona, CA (US)
 (**) Term: **14 Years**
 (21) Appl. No.: **29/193,884**
 (22) Filed: **Nov. 13, 2003**
 (51) **LOC (7) Cl.** **23-04**
 (52) **U.S. Cl.** **D23/411**
 (58) **Field of Search** D23/411, 377, D23/379, 413, 416; 416/5, 210 R; 392/364

(56) **References Cited**

U.S. PATENT DOCUMENTS

D480,796 S	10/2003	Young	D23/411
D481,450 S	10/2003	Young	D23/377
D481,454 S	10/2003	Young	D23/411
D482,773 S	11/2003	Young	D23/411
D490,515 S	* 5/2004	Young	D23/411

OTHER PUBLICATIONS

- U.S. Appl. No. 29/193,834 filed Nov. 13, 2003, Stanfield Young.
 U.S. Appl. No. 29/193,873 filed Nov. 13, 2003, Stanfield Young.
 U.S. Appl. No. 29/193,886 filed Nov. 13, 2003, Stanfield Young.
 U.S. Appl. No. 10/196,481 filed Jul. 15, 2002, Stanfield Young.
 U.S. Appl. No. 29/190,991 filed Sep. 29, 2003, Stanfield Young.
 U.S. Appl. No. 29/191,015 filed Sep. 29, 2003, Stanfield Young.

U.S. Appl. No. 29/191,033 filed Sep. 29, 2003, Stanfield Young.
 Minka Aire Two Thousand Two; p. 2,3 Apr. 22, 2002, Minka Lighting, Inc. USA.
 Minka Aire Two Thousand Three; p. 2,3, Jan. 2003, Minka Lighting, Inc. USA.

* cited by examiner

Primary Examiner—Lisa Lichtenstein
 (74) *Attorney, Agent, or Firm*—Baker & McKenzie, LLP

(57) **CLAIM**

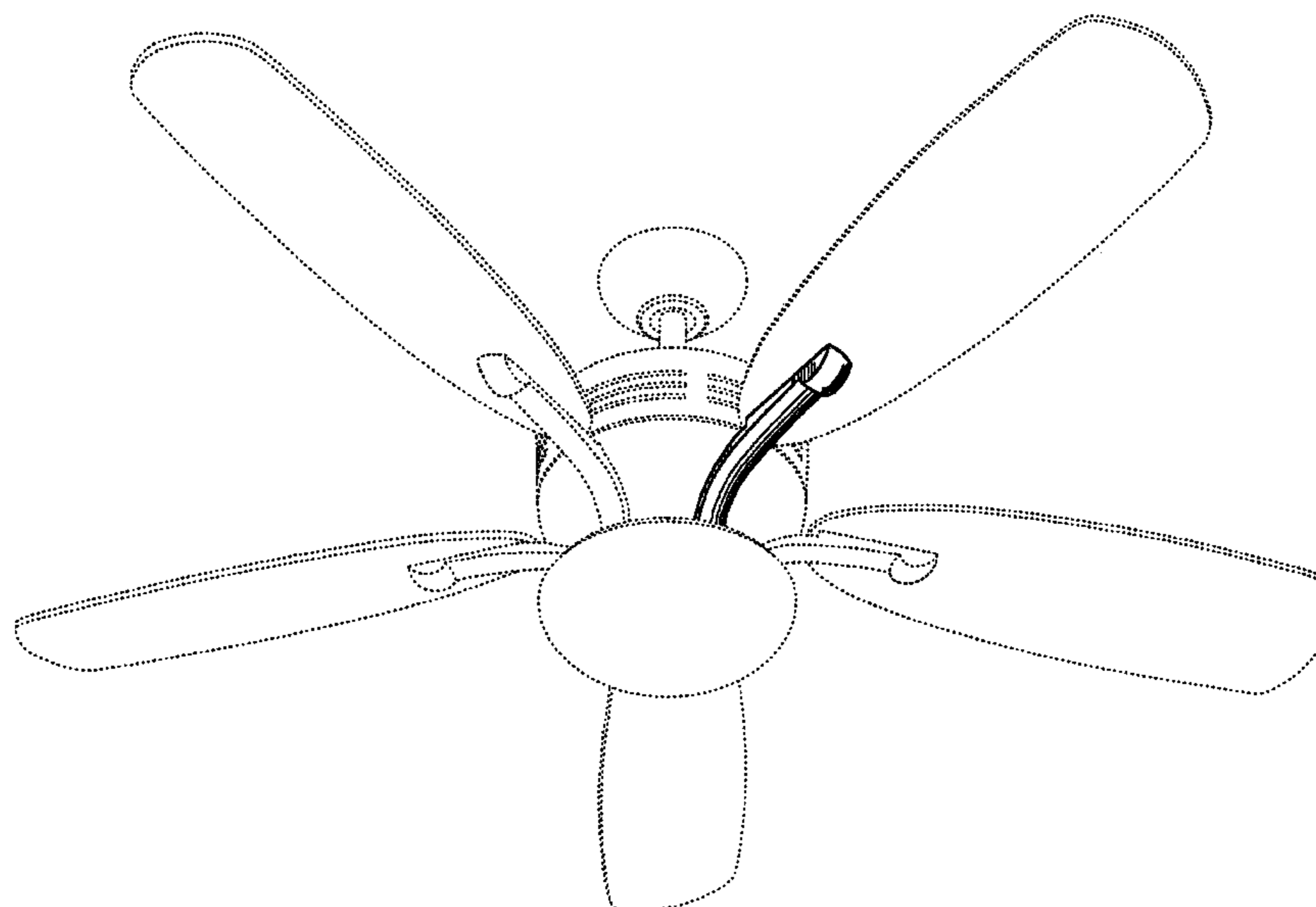
The ornamental design for a ceiling fan blade iron, as shown and described.

DESCRIPTION

FIG. 1 is a perspective view from below of a ceiling fan blade iron in accordance with my design, illustrating the environment of said blade iron;
 FIG. 2 is an enlarged perspective view from below of the ceiling fan blade iron in accordance with my design, illustrating the environment of said blade iron;
 FIG. 3 is an enlarged side elevation view of the ceiling fan blade iron in accordance with my design, illustrating the environment of said blade iron;
 FIG. 4 is an enlarged bottom plan view of the ceiling fan blade iron in accordance with my design, illustrating the environment of said blade iron;
 FIG. 5 is an enlarged distal view of the ceiling fan blade iron in accordance with my design, illustrating the environment of said blade iron; and,
 FIG. 6 is an enlarged proximal view of the ceiling fan blade iron in accordance with my design, illustrating the environment of said blade iron.

The broken lines showing environmental structure are for illustrative purposes and form no part of the claimed design.

1 Claim, 3 Drawing Sheets



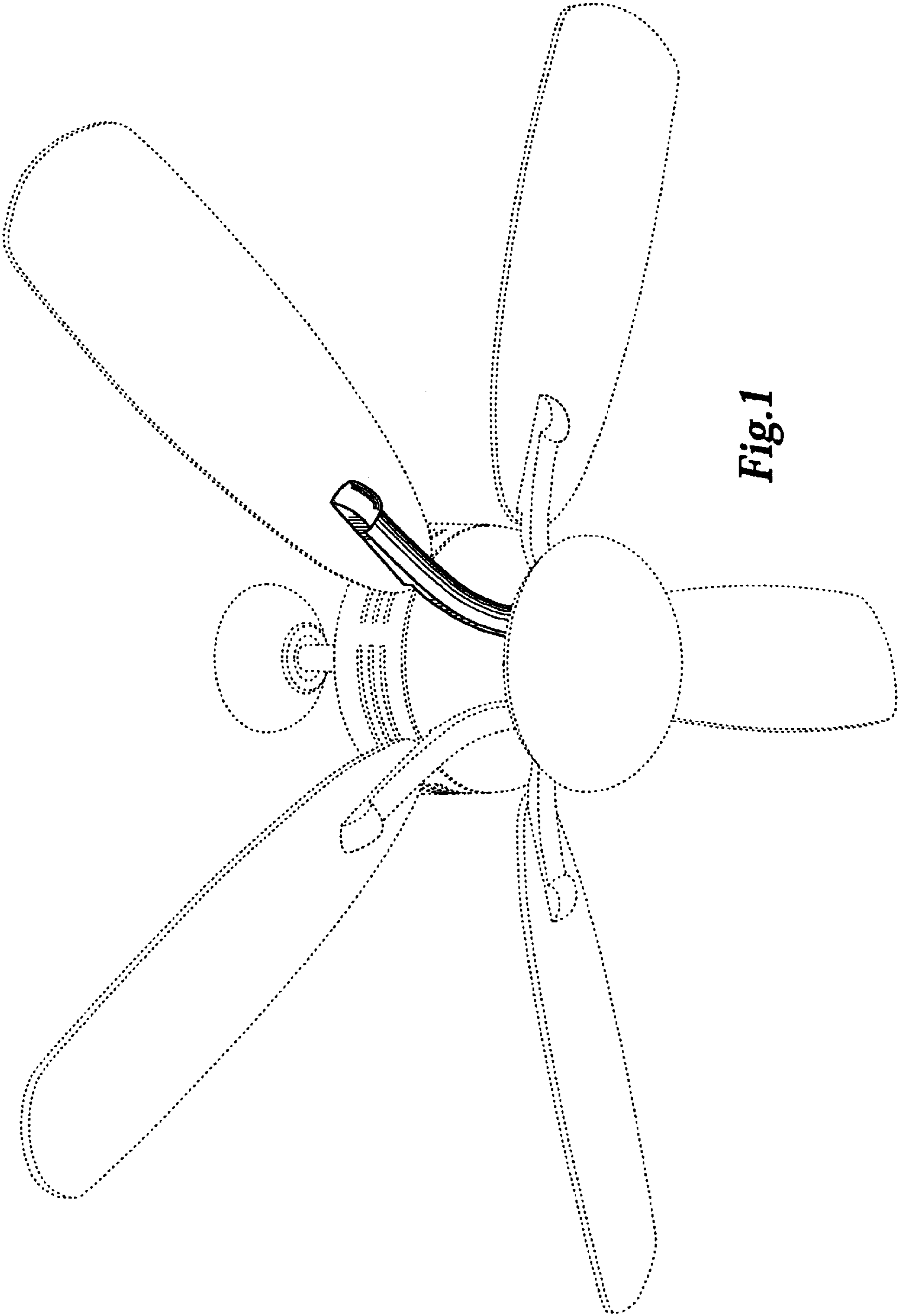


Fig. 1

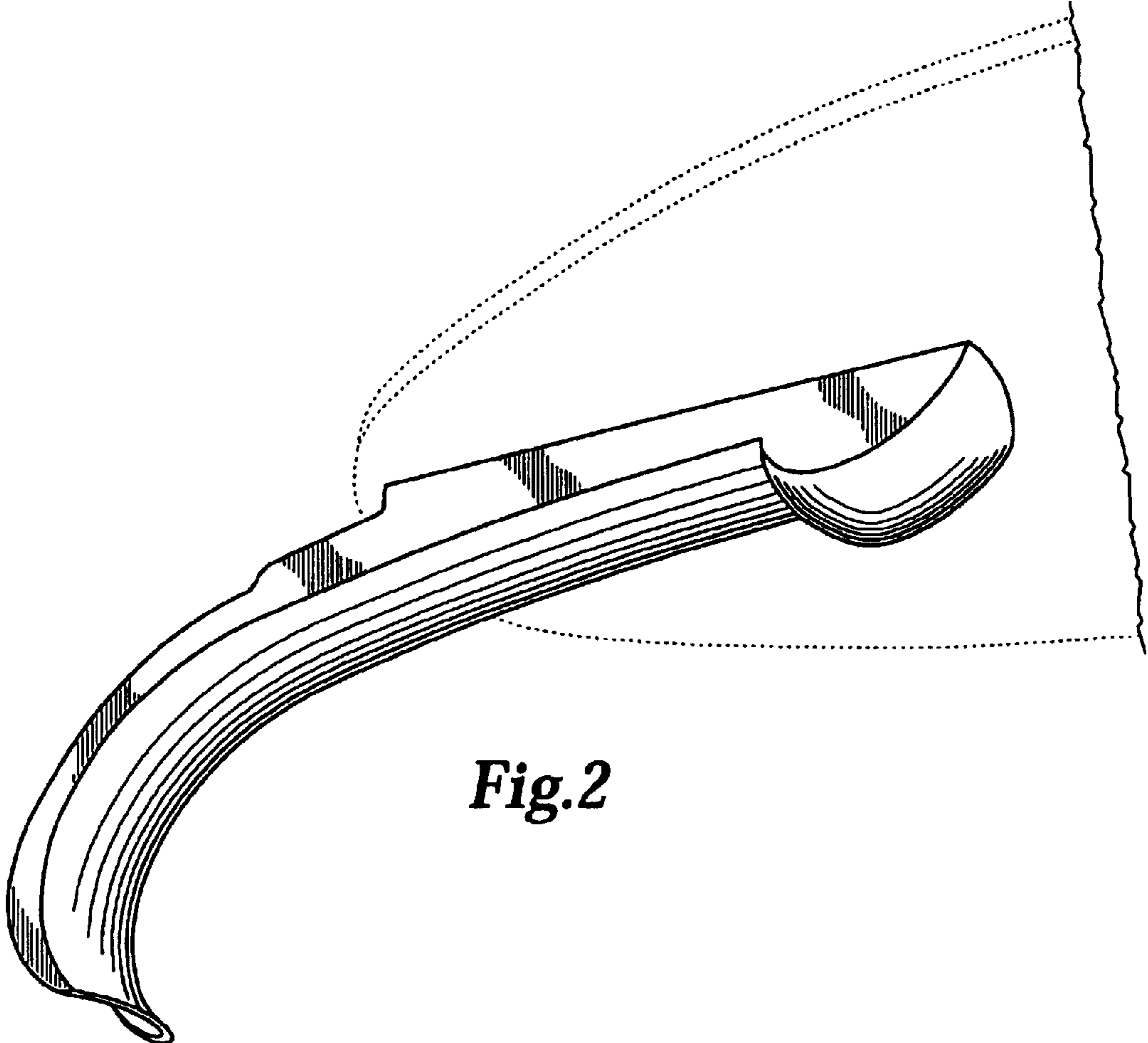


Fig.2

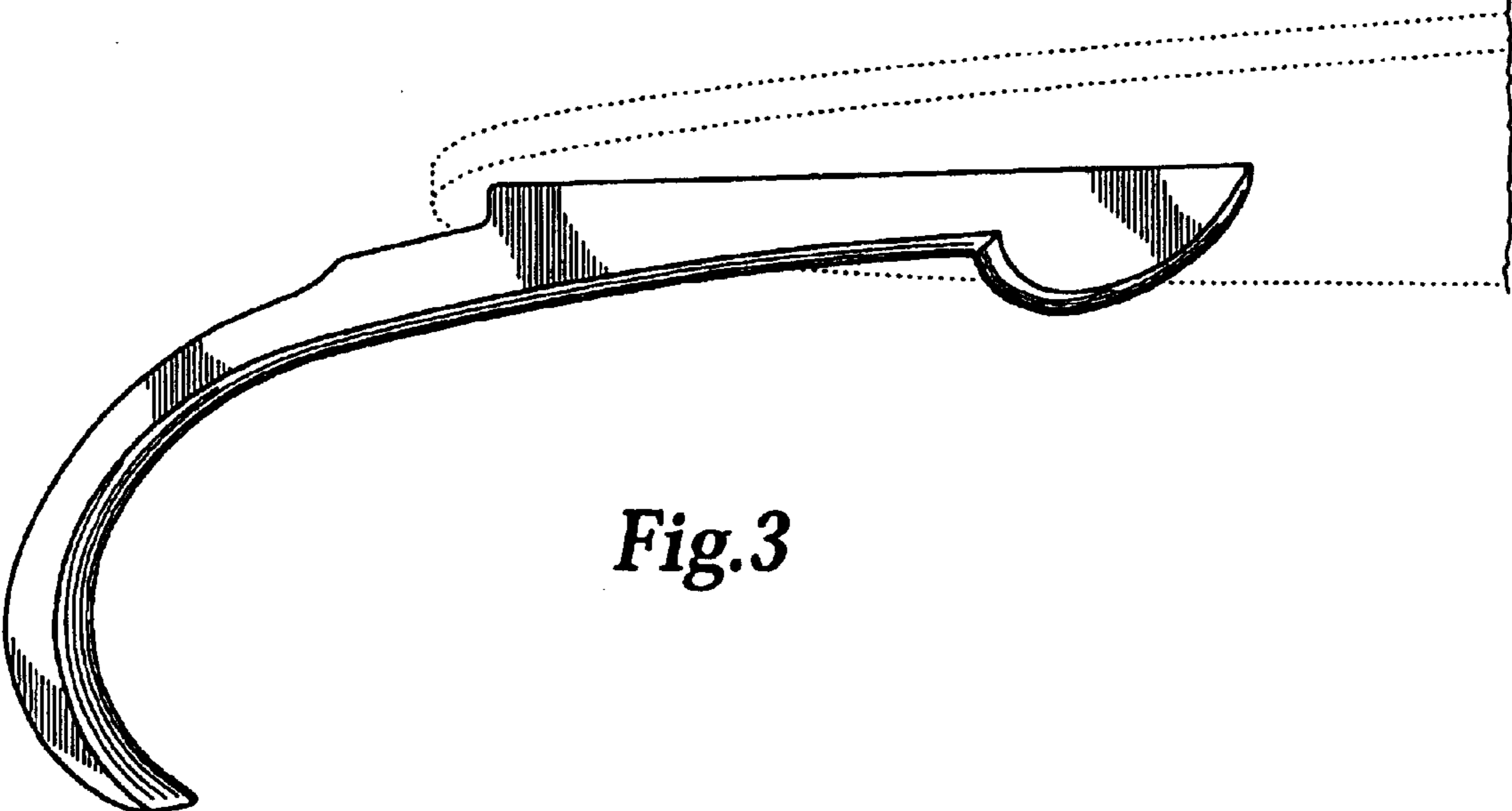


Fig.3

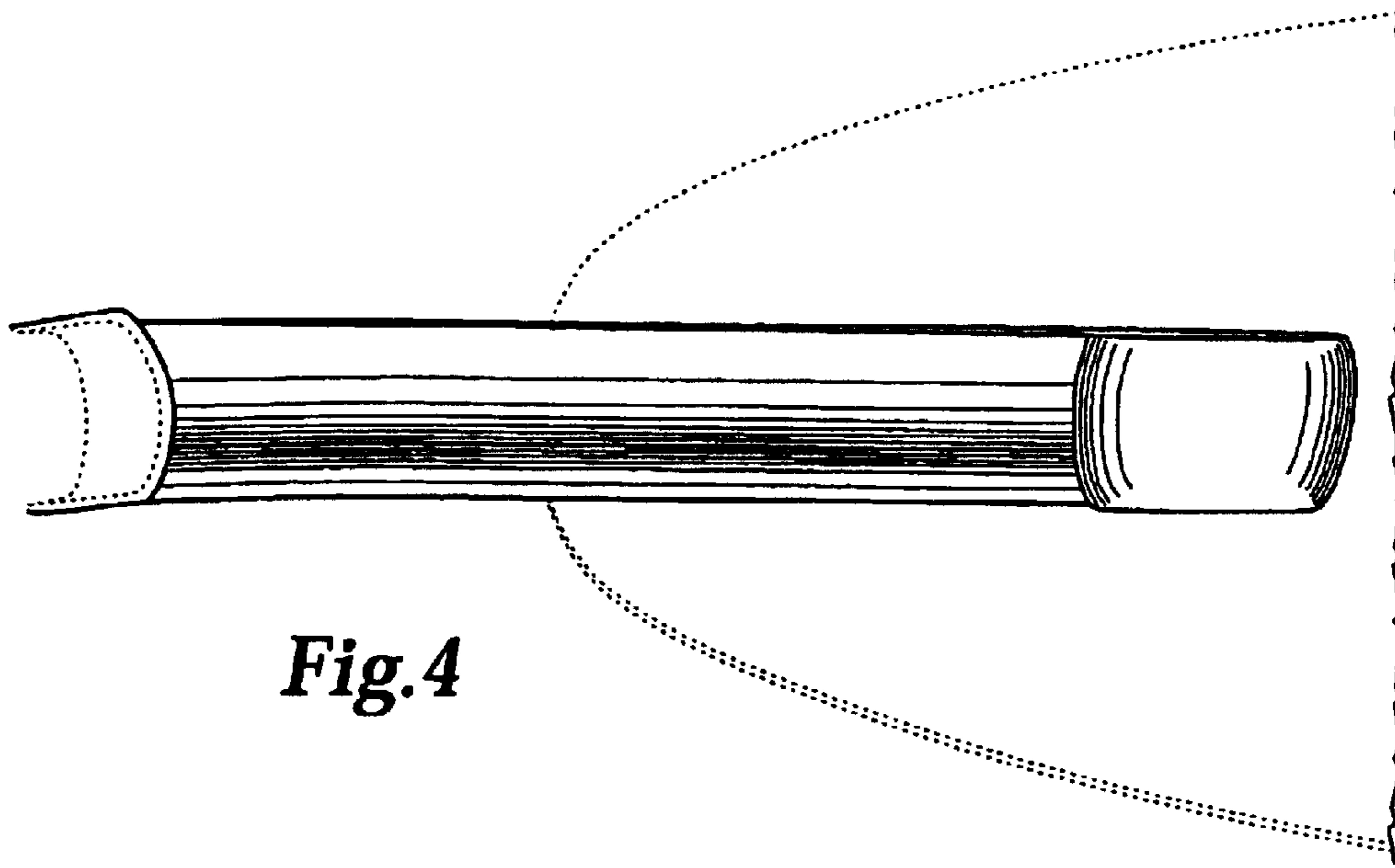


Fig.4

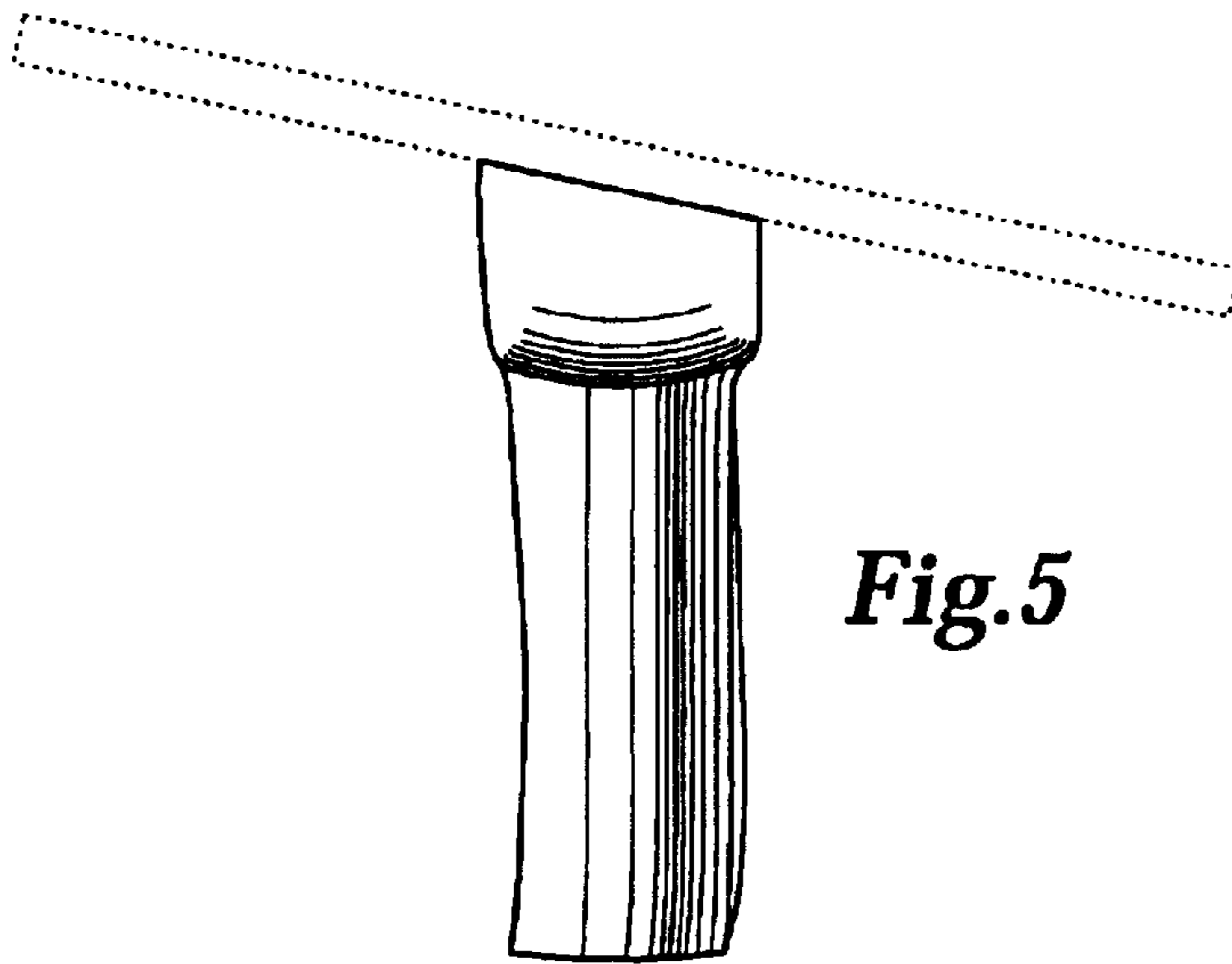


Fig.5

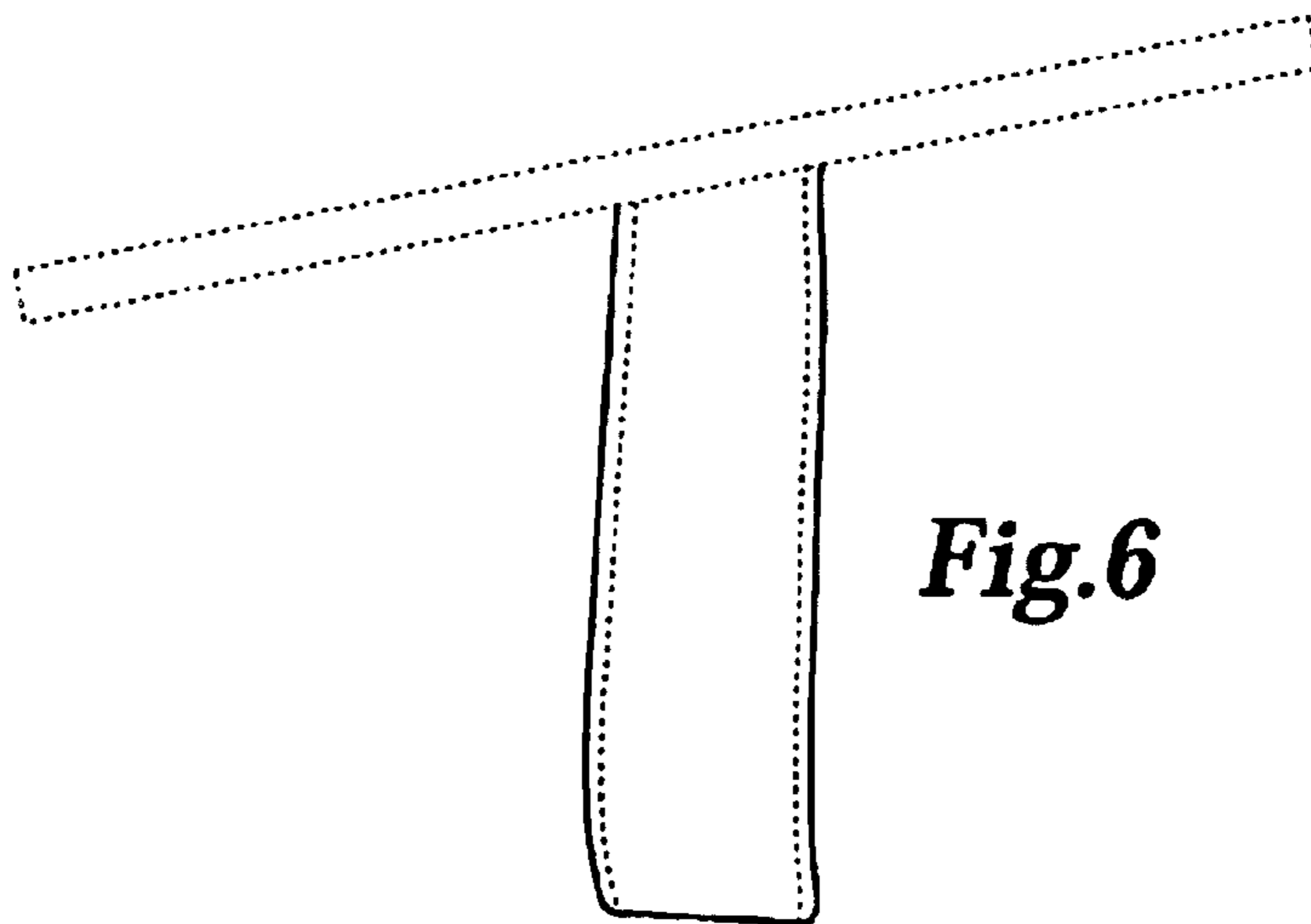


Fig.6