

US00D505722S

(12) **United States Design Patent** (10) **Patent No.:** **US D505,722 S**
Burns (45) **Date of Patent:** **** May 31, 2005**

(54) **CEILING FAN LIGHT KIT**

(75) Inventor: **James P. Burns**, Memphis, TN (US)

(73) Assignee: **Hunter Fan Company**, Memphis, TN (US)

(**) Term: **14 Years**

(21) Appl. No.: **29/193,334**

(22) Filed: **Nov. 8, 2003**

(51) **LOC (7) Cl.** **23-04**

(52) **U.S. Cl.** **D23/411; D26/59**

(58) **Field of Search** **D23/411, 377, D23/379, 385; 416/5; D26/59, 81-86, 88, 72; 362/96**

(56) **References Cited**

U.S. PATENT DOCUMENTS

D434,490 S * 11/2000 Tsuji et al. D23/411
D485,349 S 1/2004 Burns D23/411
D499,478 S * 12/2004 Thomas, Jr. D23/411

OTHER PUBLICATIONS

Casablanca Fan Company 2001 Product Catalog pg. 21, (19th Century) pg. 23, (Nouvelle) , and pg. 33 (Delta), pg. 37 (Palisades) , pg. 52 (Victorian) , and pg. 54 (Commodore Vanderbilt).

Hunter Fan Company 2002 Brochure, Chandelle Light Fixtures, Covent Garden, and Hampshire.

Sonica Catalog pgs. 38 and 39 (Lights Kits and Fitters) pgs. 40, 41, 42, 43 and 44 (Glass and Center Shades).

* cited by examiner

Primary Examiner—Lisa Lichtenstein

(74) *Attorney, Agent, or Firm*—Baker Donelson

(57) **CLAIM**

The ornamental design for a ceiling fan light kit, as shown and described.

DESCRIPTION

FIG. 1 is a perspective view of a ceiling fan light kit showing my new design.

FIG. 2 is a front view thereof.

FIG. 3 is a right side view thereof, the left side view being a mirror image thereof.

FIG. 4 is a rear view thereof.

FIG. 5 is a bottom view thereof; and,

FIG. 6 is a top view thereof.

The broken lines in the views show environmental features which are for illustrative purposes only and form no part of the claimed design.

1 Claim, 3 Drawing Sheets

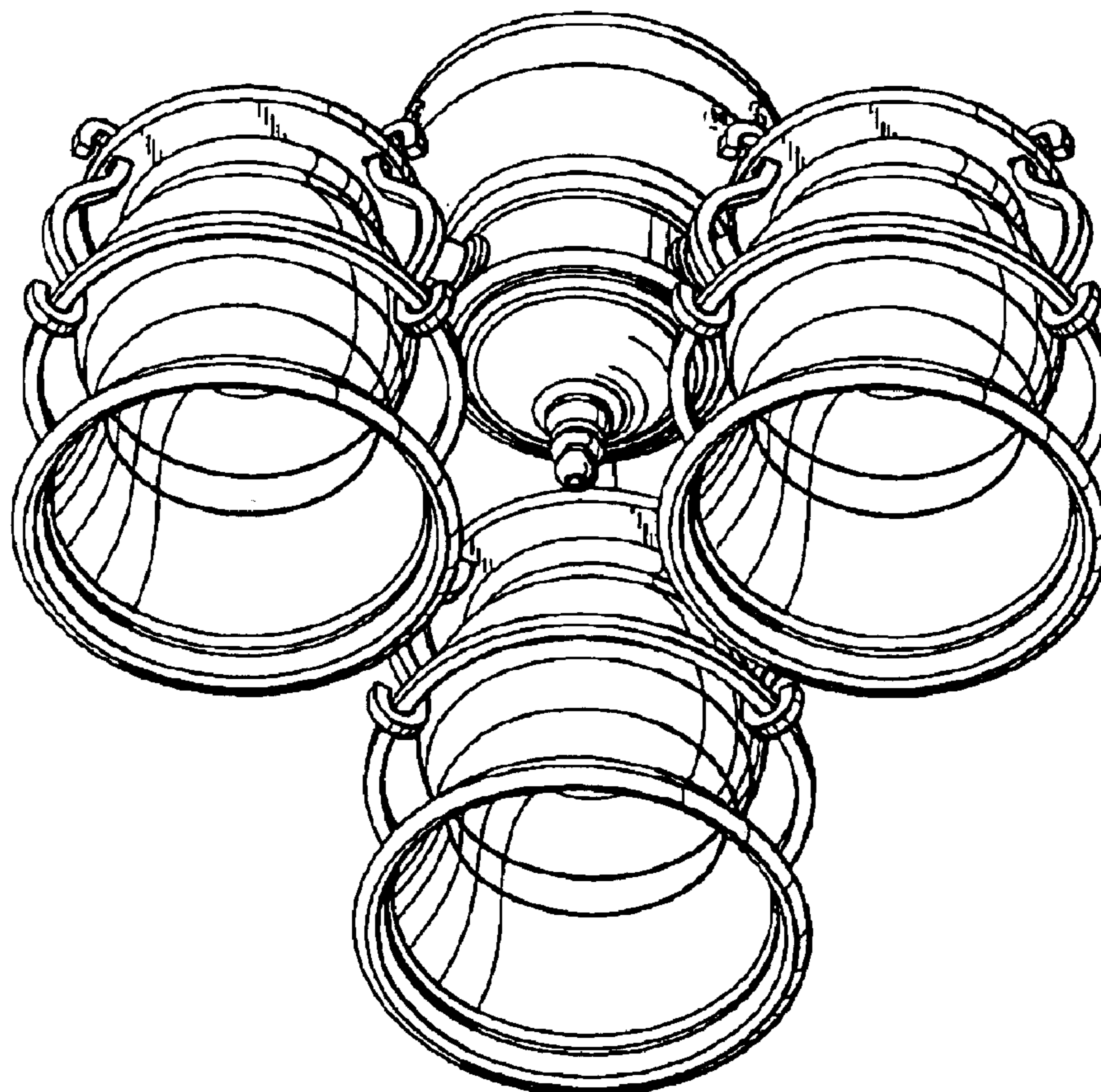


Fig. 1

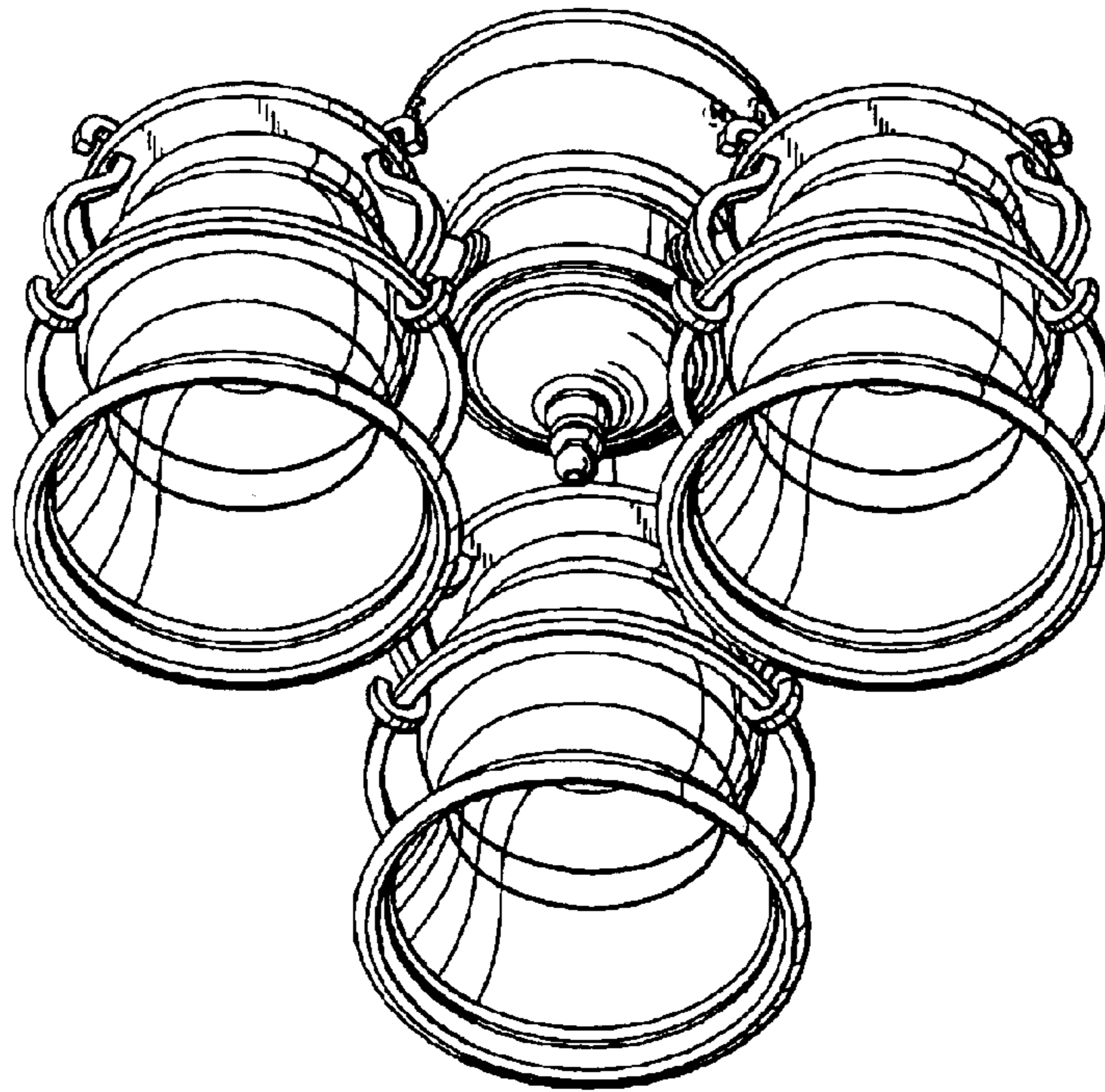


Fig. 2

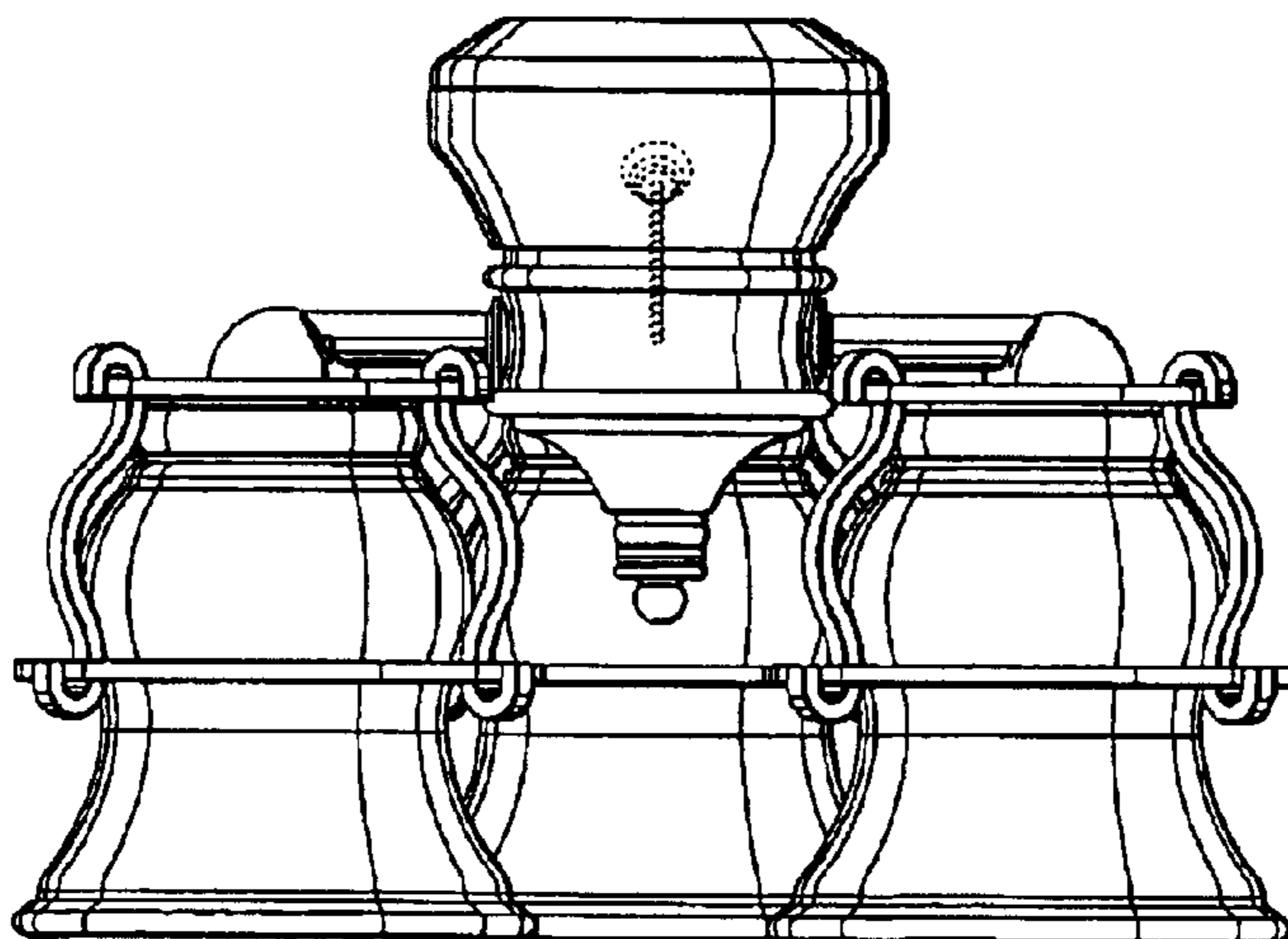


Fig. 3

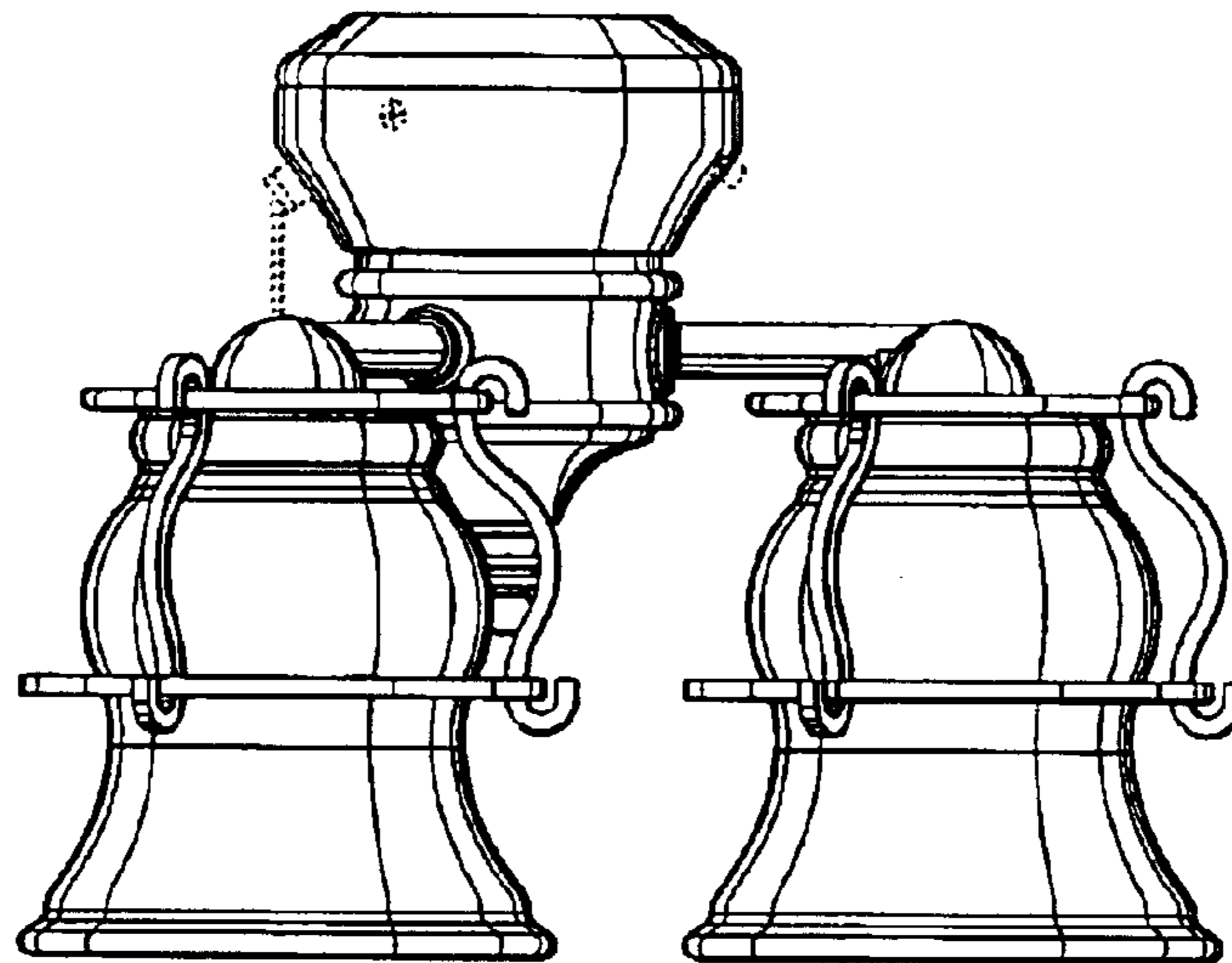


Fig. 4

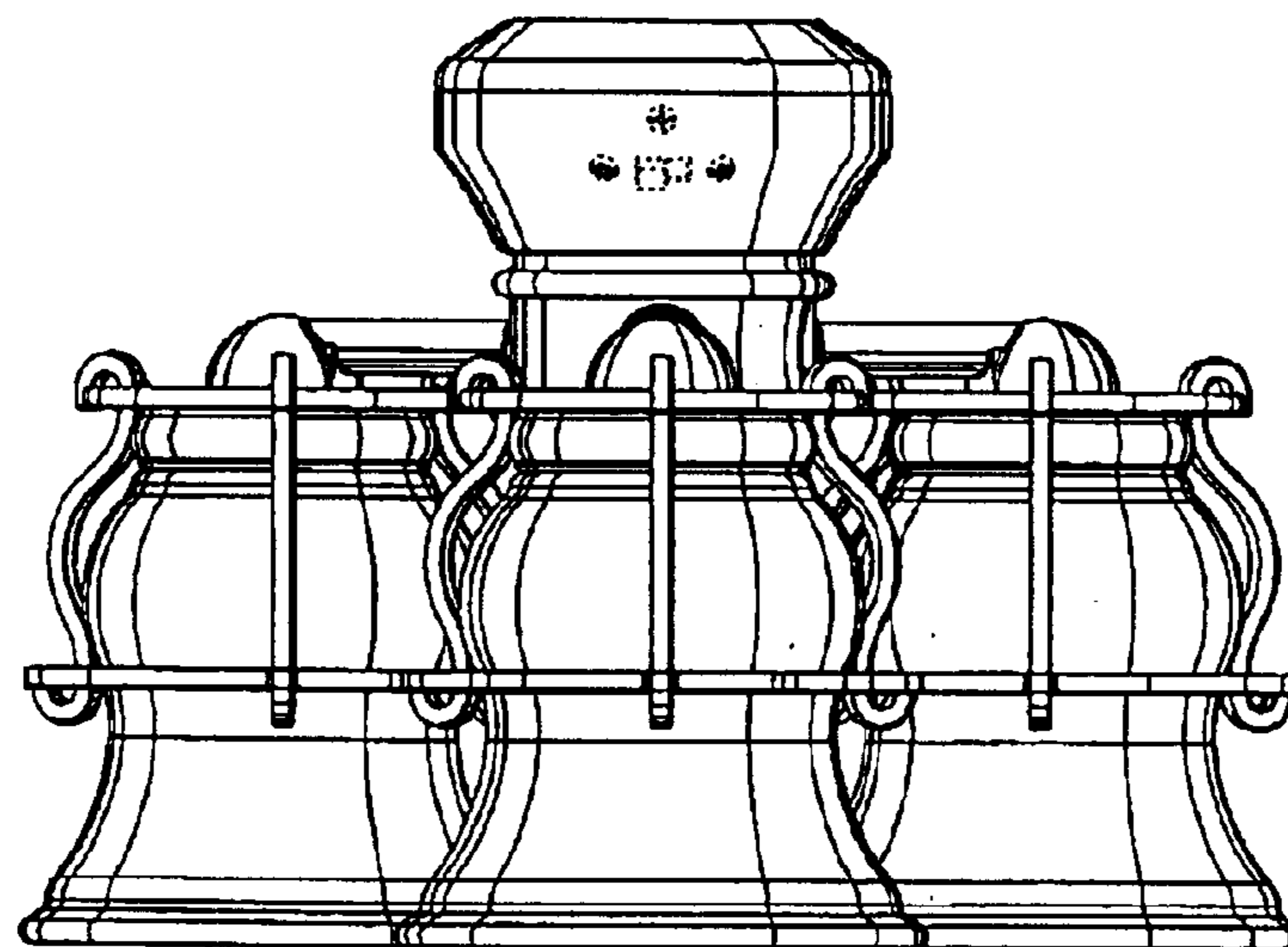


Fig. 6

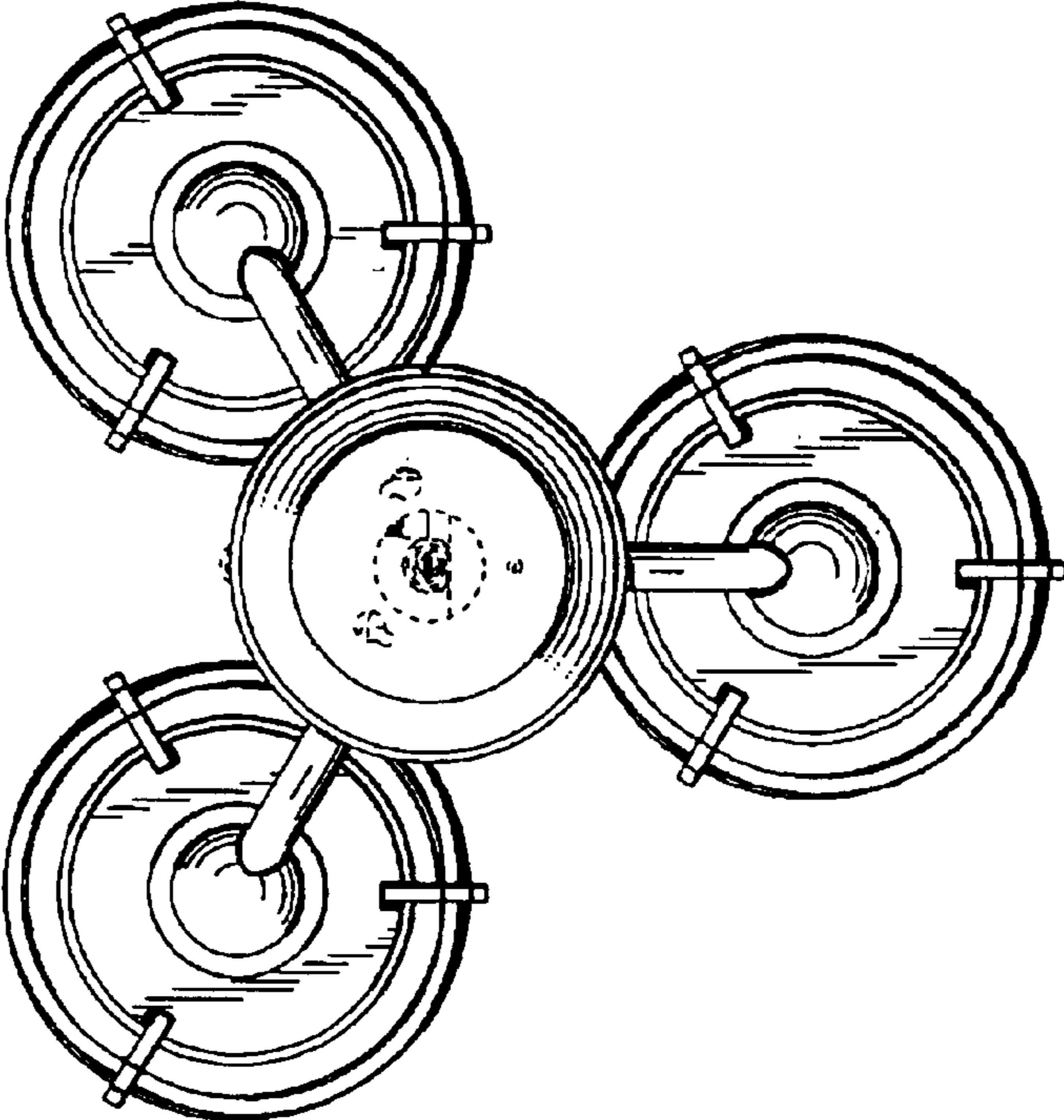


Fig. 5

