

US00D505720S

(12) **United States Design Patent**
Hsieh

(10) **Patent No.:** **US D505,720 S**

(45) **Date of Patent:** **** May 31, 2005**

(54) **MOTOR ROTOR OF A CEILING FAN**

Primary Examiner—Lisa Lichtenstein

(76) **Inventor:** **Frank Hsieh**, 235 Chung-Ho Box 8-24,
Taipei (TW)

(57) **CLAIM**

The ornamental design for a motor rotor of a ceiling fan, as shown and described.

(**) **Term:** **14 Years**

DESCRIPTION

(21) **Appl. No.:** **29/187,425**

FIG. 1 is a perspective view of a motor rotor of a ceiling fan showing my new design.

(22) **Filed:** **Aug. 1, 2003**

FIG. 2 is a top plan view thereof.

(51) **LOC (7) Cl.** **23-04**

FIG. 3 is a bottom plan view thereof.

(52) **U.S. Cl.** **D23/411**

FIG. 4 is a left side view thereof.

(58) **Field of Search** D23/411, 377,
D23/379, 385; 416/5

FIG. 5 is a right side view thereof.

FIG. 6 is a front elevational view thereof;

(56) **References Cited**

FIG. 7 is a rear elevational view thereof; and,

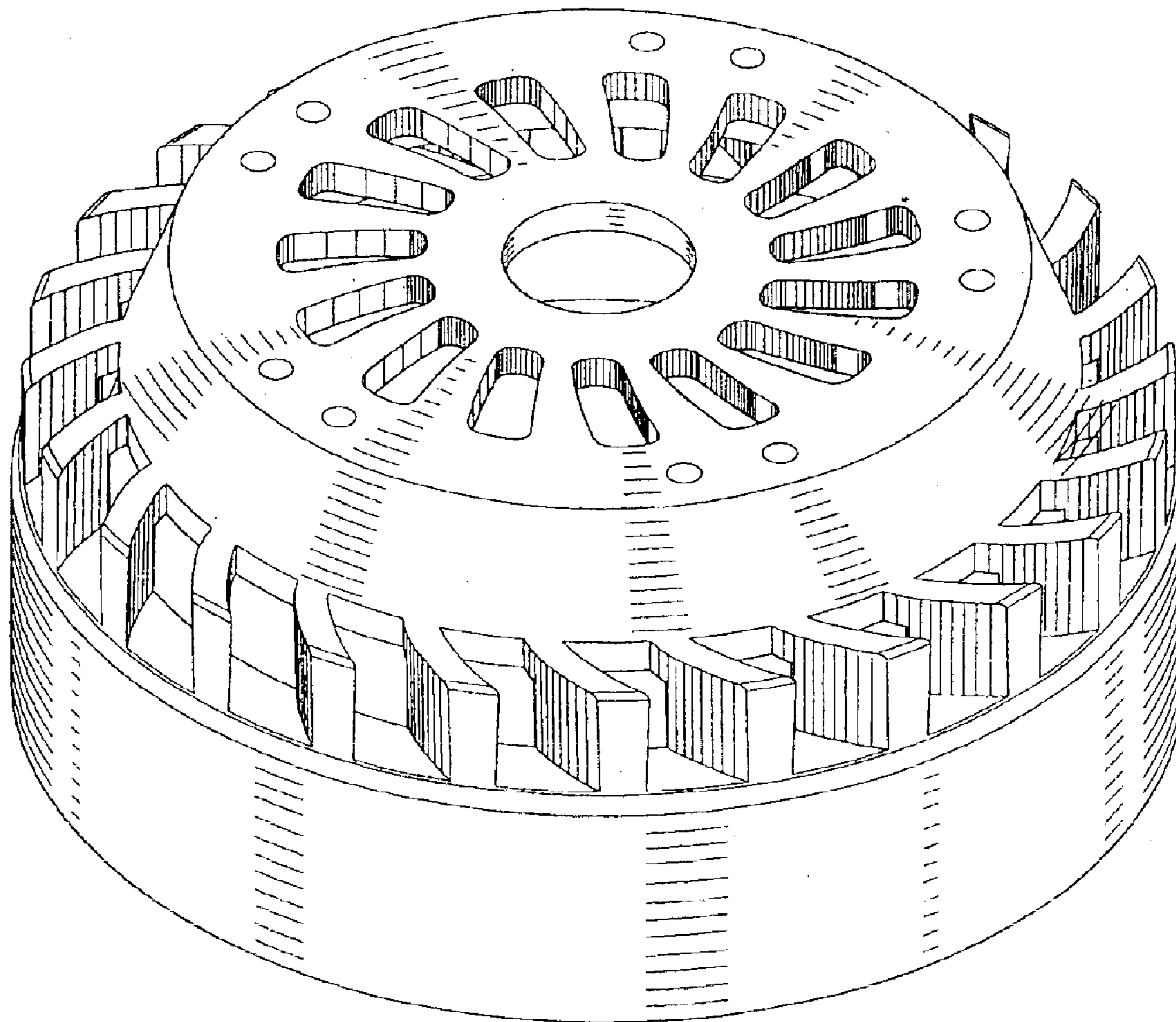
U.S. PATENT DOCUMENTS

FIG. 8 shows one application of the present invention, where those.

D480,464 S * 10/2003 Liu D23/377

* cited by examiner

1 Claim, 8 Drawing Sheets



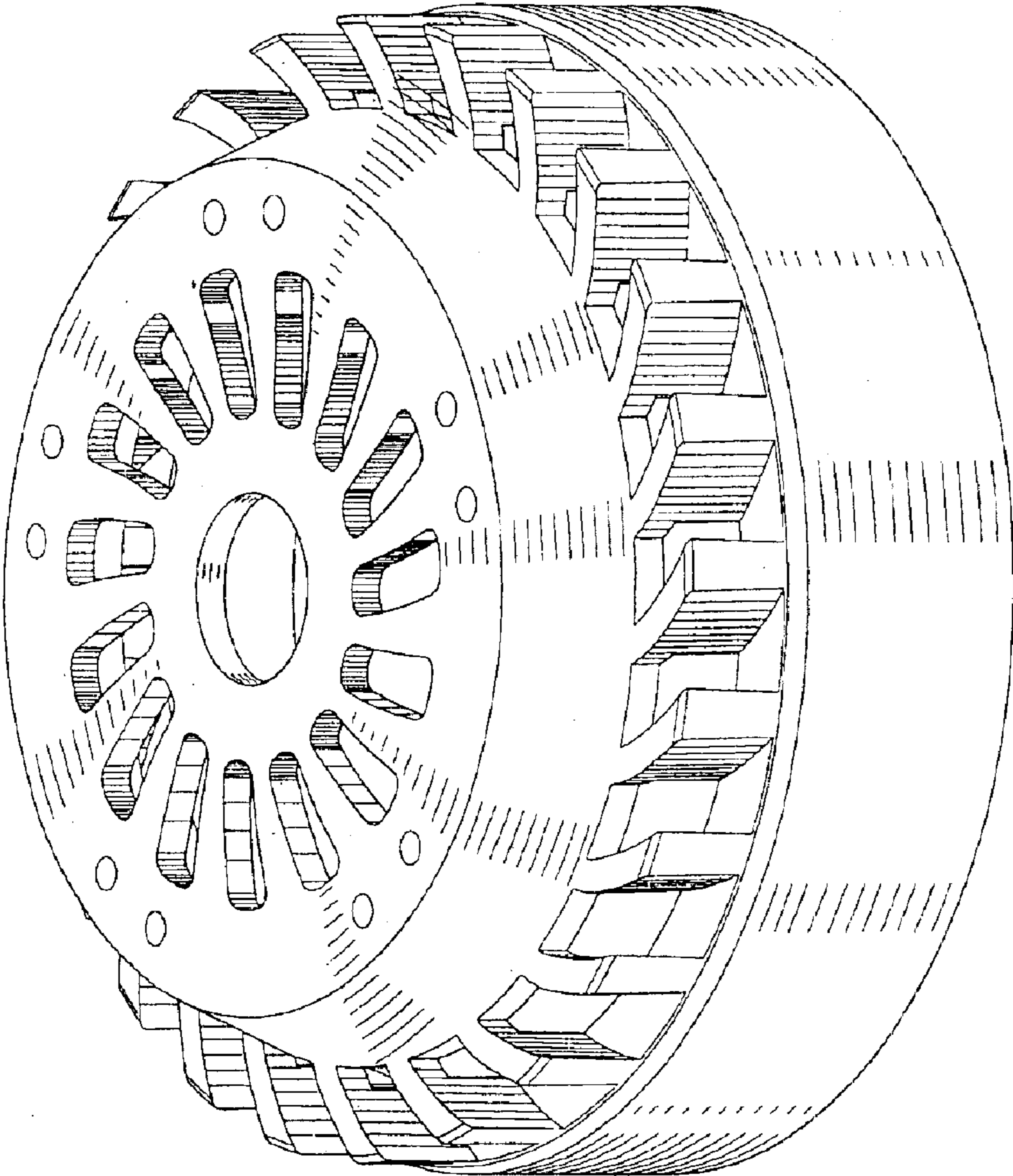


Fig. 1

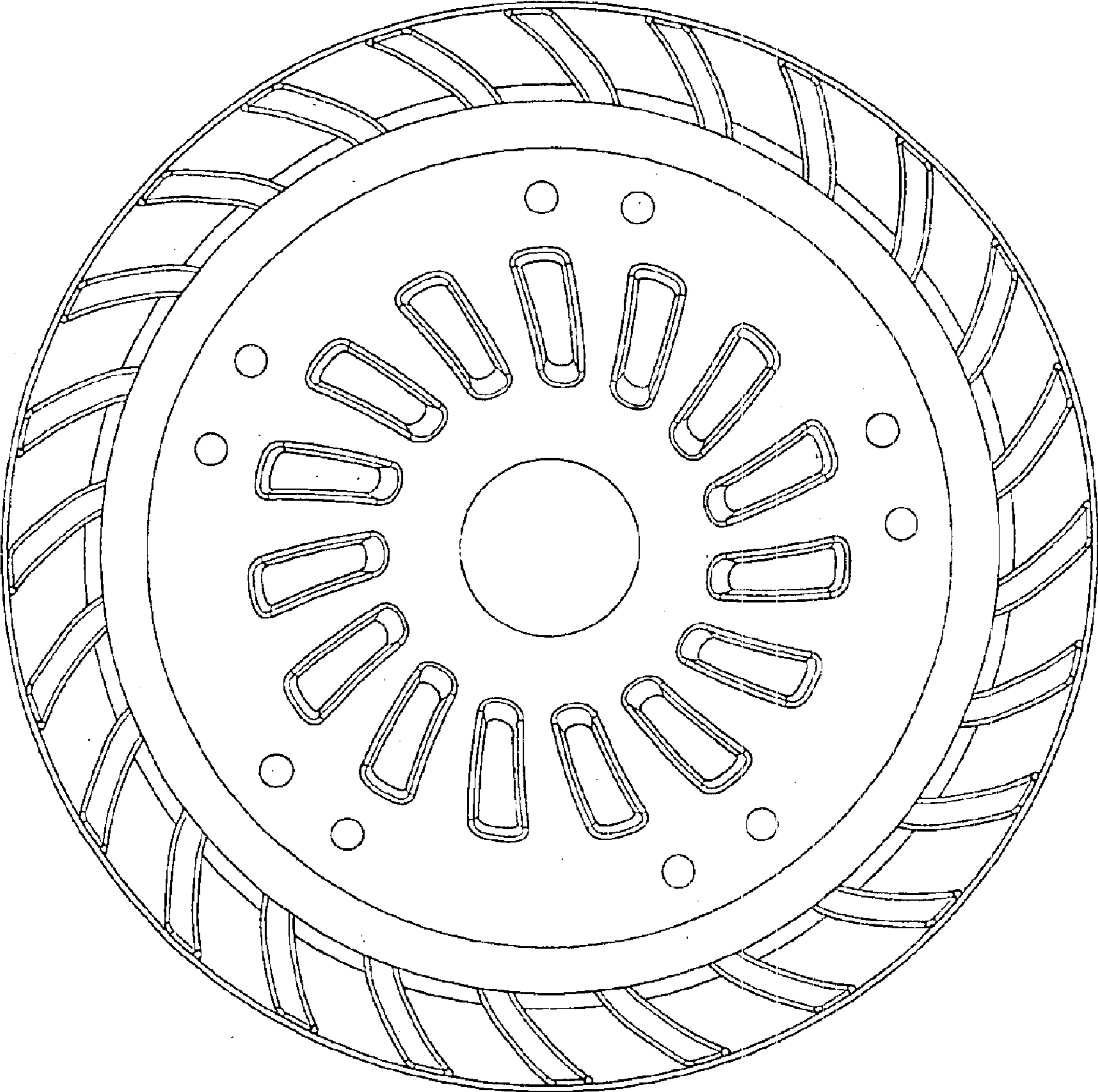


Fig. 2

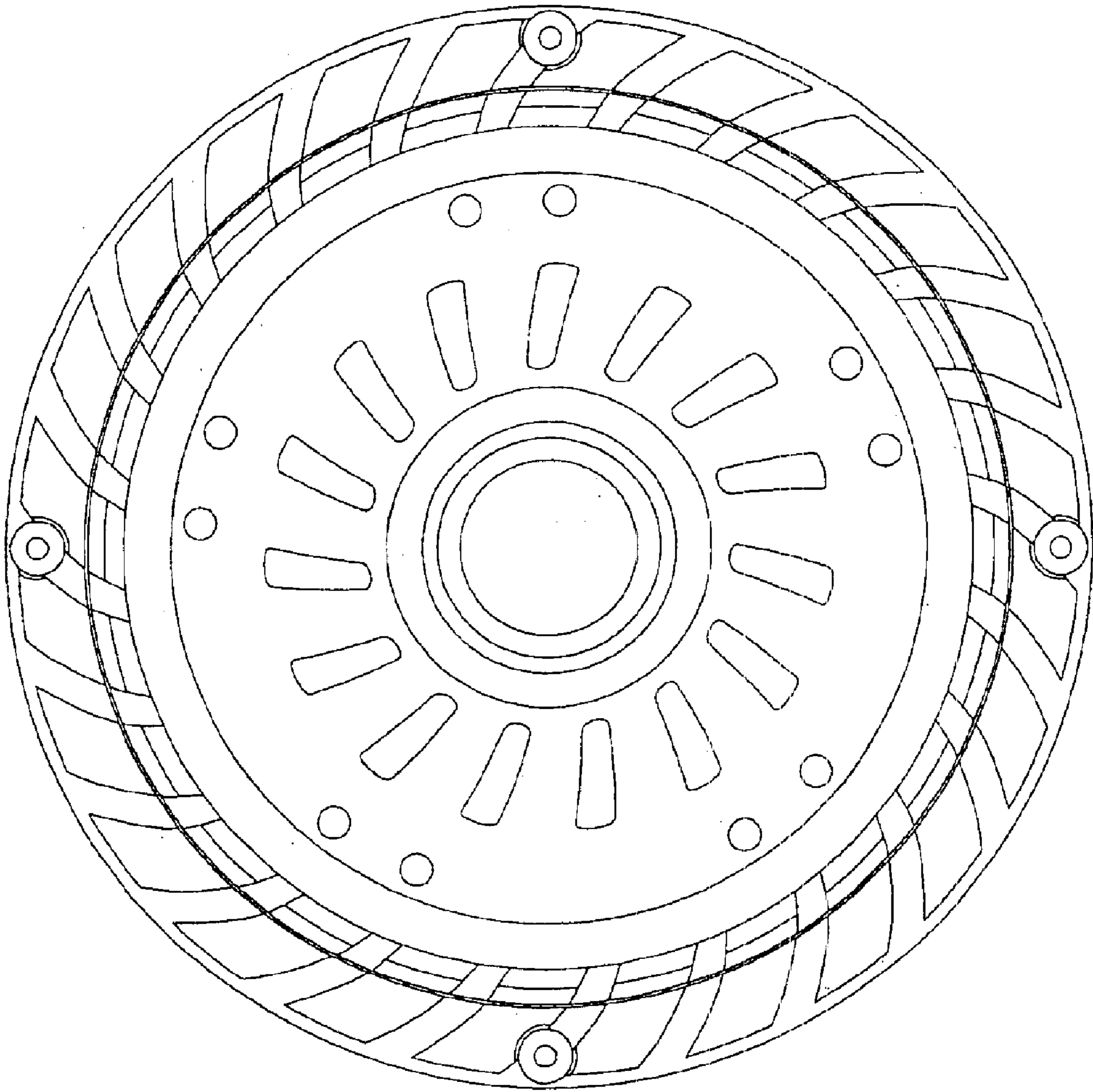


Fig. 3

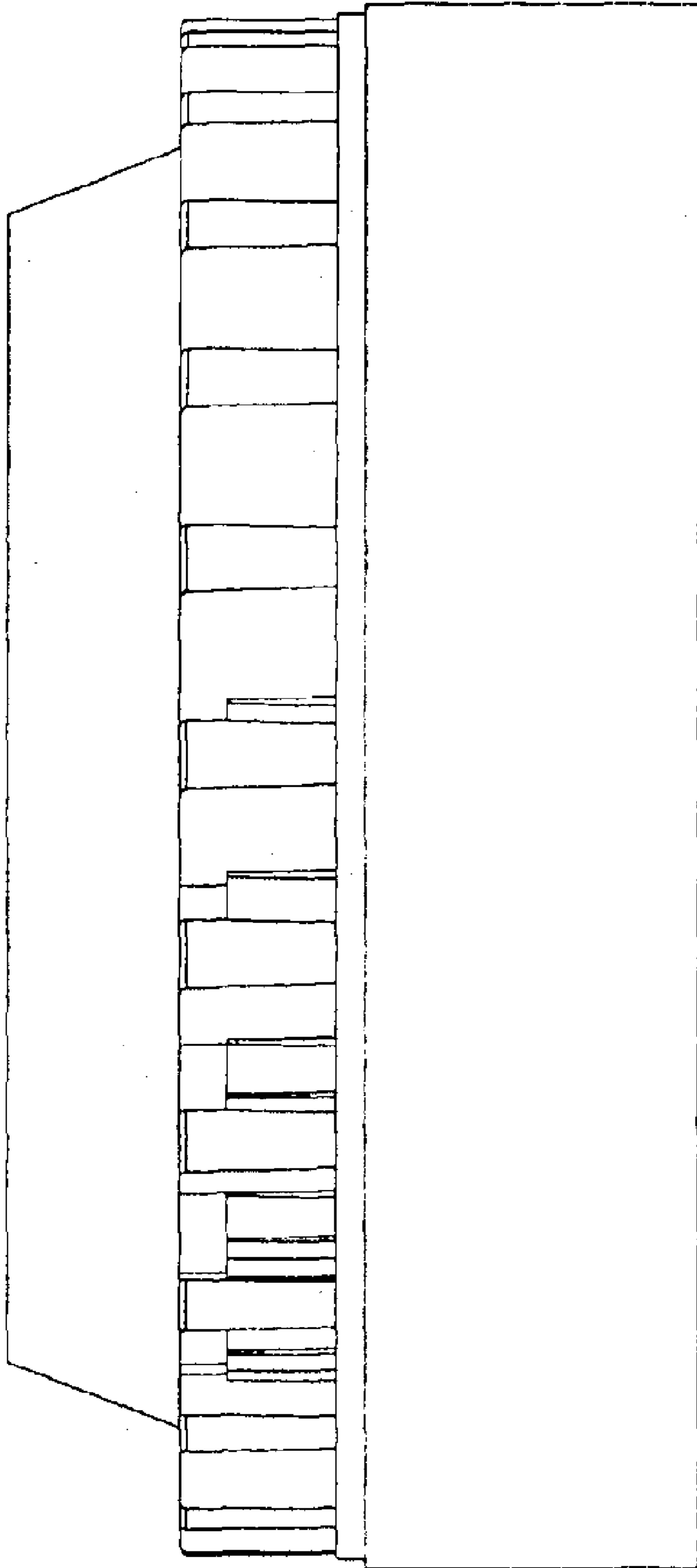


Fig. 4

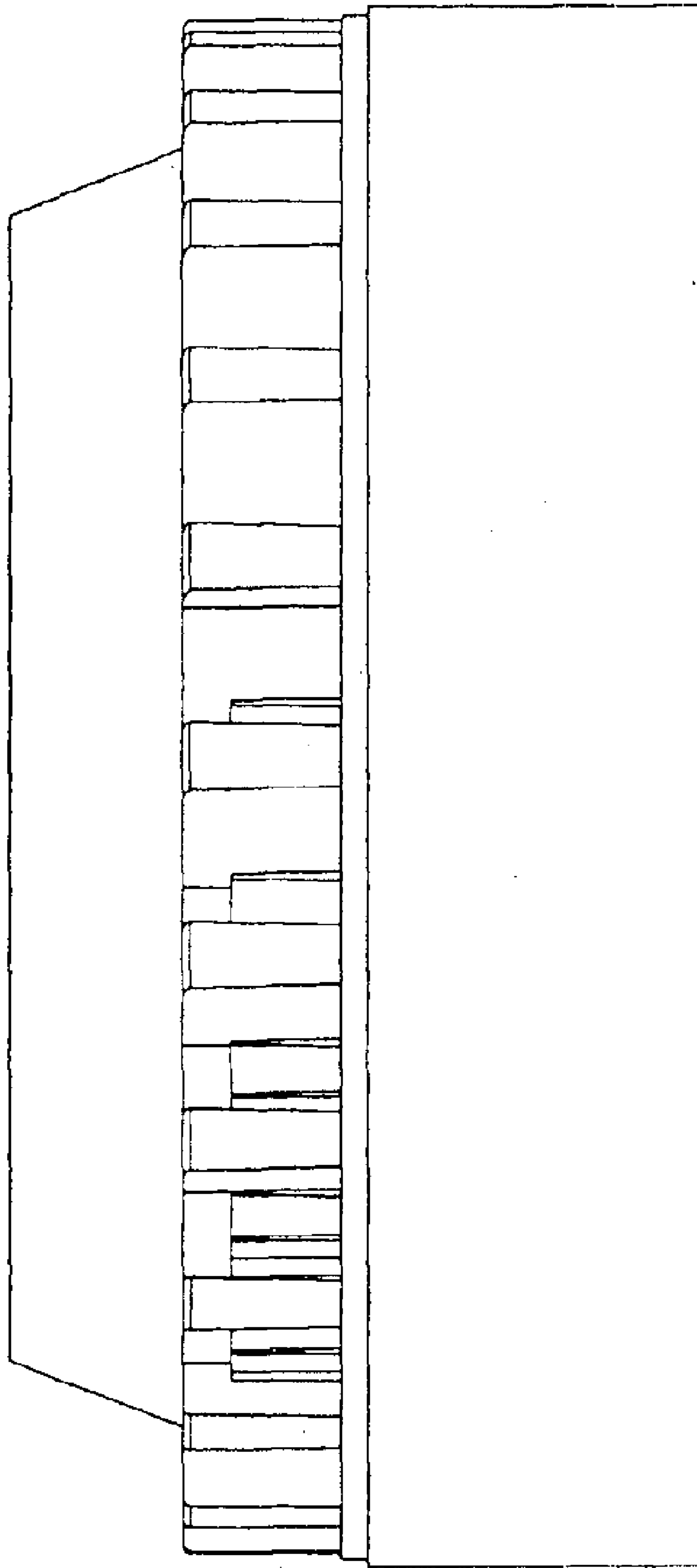


Fig. 5

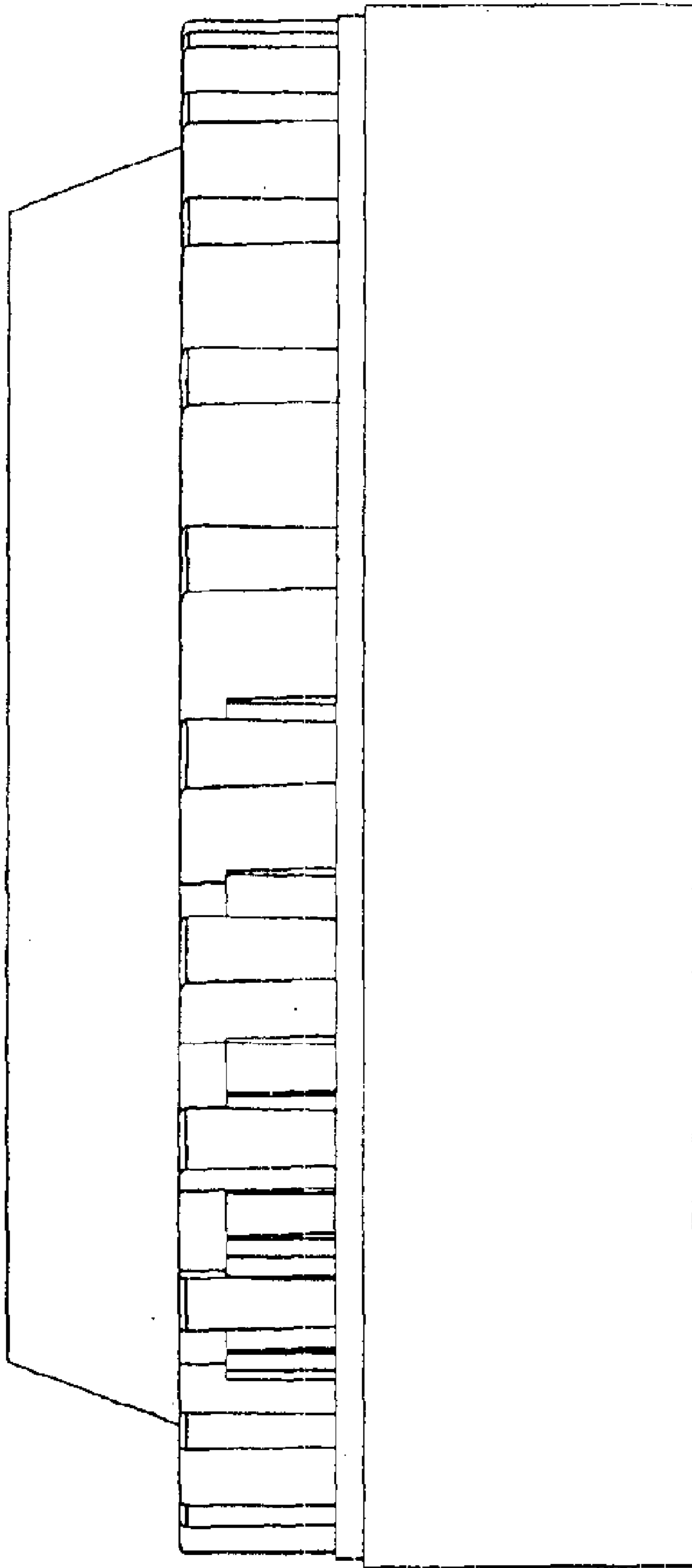


Fig. 6

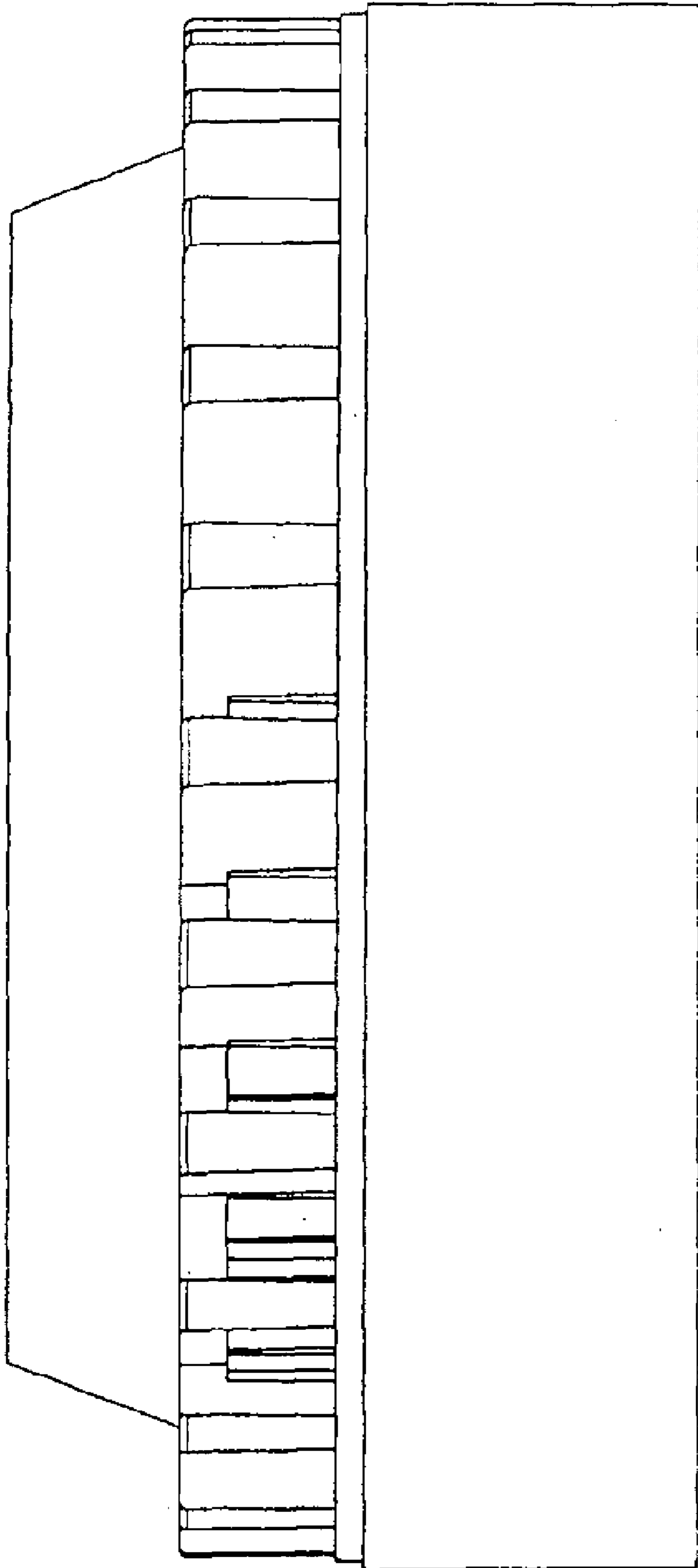


Fig. 7

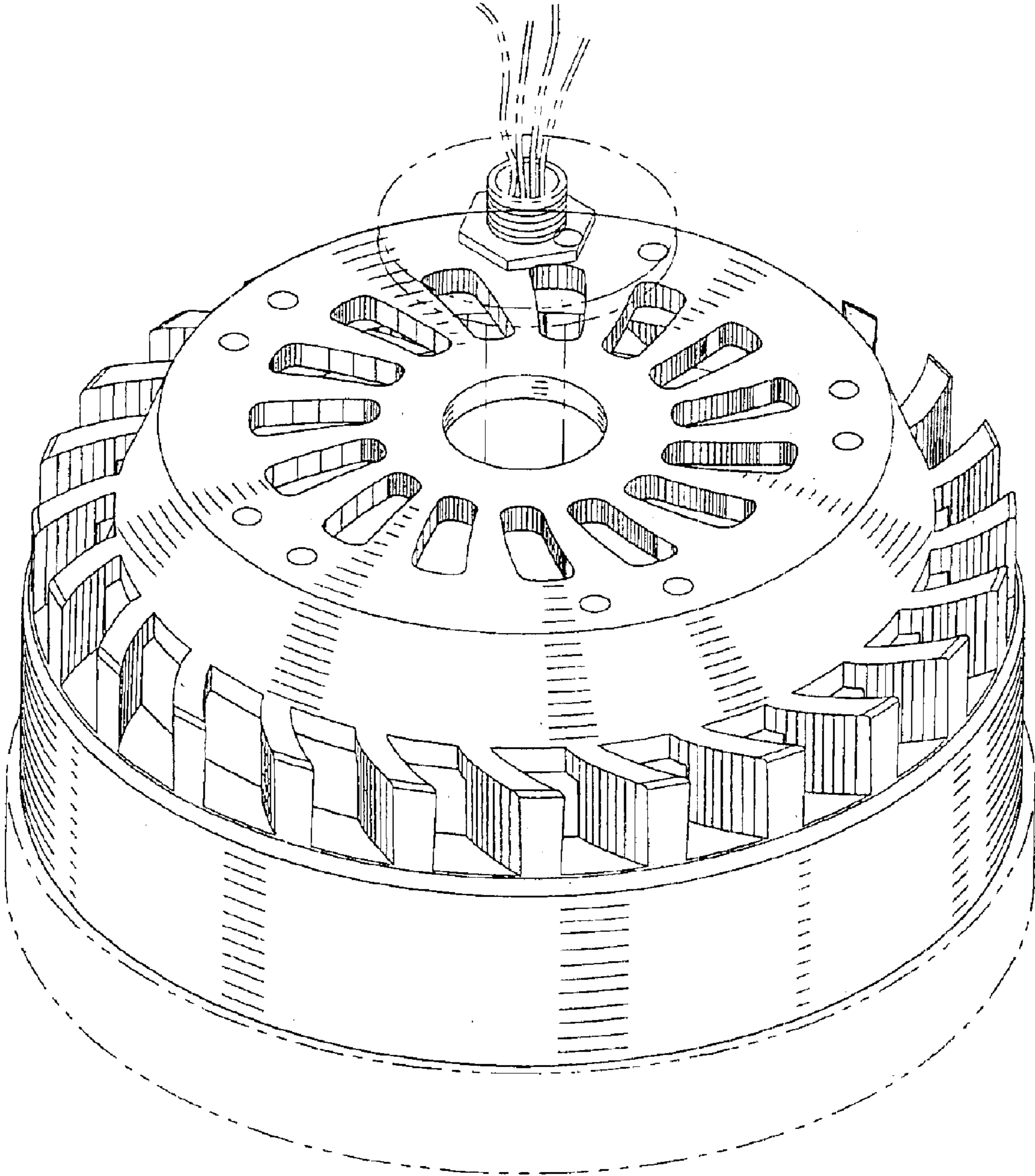


Fig. 8