



US00D505719S

(12) **United States Design Patent** (10) **Patent No.:** **US D505,719 S**
Hidalgo (45) **Date of Patent:** **** May 31, 2005**

(54) **CEILING FAN BLADE IRON**
(75) Inventor: **Rolando Hidalgo**, Orange, CA (US)
(73) Assignee: **Minka Lighting, Inc.**, Corona, CA (US)
(**) Term: **14 Years**

(21) Appl. No.: **29/185,943**
(22) Filed: **Jul. 7, 2003**
(51) **LOC (7) Cl.** **23-04**
(52) **U.S. Cl.** **D23/411**
(58) **Field of Search** D23/411, 377, D23/379, 385, 413

(56) **References Cited**

U.S. PATENT DOCUMENTS

D420,125 S * 2/2000 Johnson D23/411
D477,069 S * 7/2003 Johnson D23/411

OTHER PUBLICATIONS

U.S. Appl. No. 29/185,967, filed Jul. 7, 2003, Rolando Hidalgo.
U.S. Appl. No. 29/185,965, filed Jul. 7, 2003, Rolando Hidalgo.
U.S. Appl. No. 29/185,966, filed Jul. 7, 2003, Rolando Hidalgo.

* cited by examiner

Primary Examiner—Lisa Lichtenstein
(74) *Attorney, Agent, or Firm*—Jenkins & Gilchrist, P.C.

(57) **CLAIM**

The ornamental design for the ceiling fan blade iron, as shown and described.

DESCRIPTION

FIG. 1 is a perspective view from below of a ceiling fan blade iron in accordance with my design, shown in its environment.

FIG. 2 is a bottom plan view of the ceiling fan blade iron in accordance with my design, shown in its environment.

FIG. 3 is a perspective view from below of an enlarged ceiling fan blade iron in accordance with my design.

FIG. 4 is a bottom plan view of an enlarged ceiling fan blade iron in accordance with my design.

FIG. 5 is an enlarged side elevation view of a ceiling fan blade iron in accordance with my design, the opposite side being a mirror image of that shown.

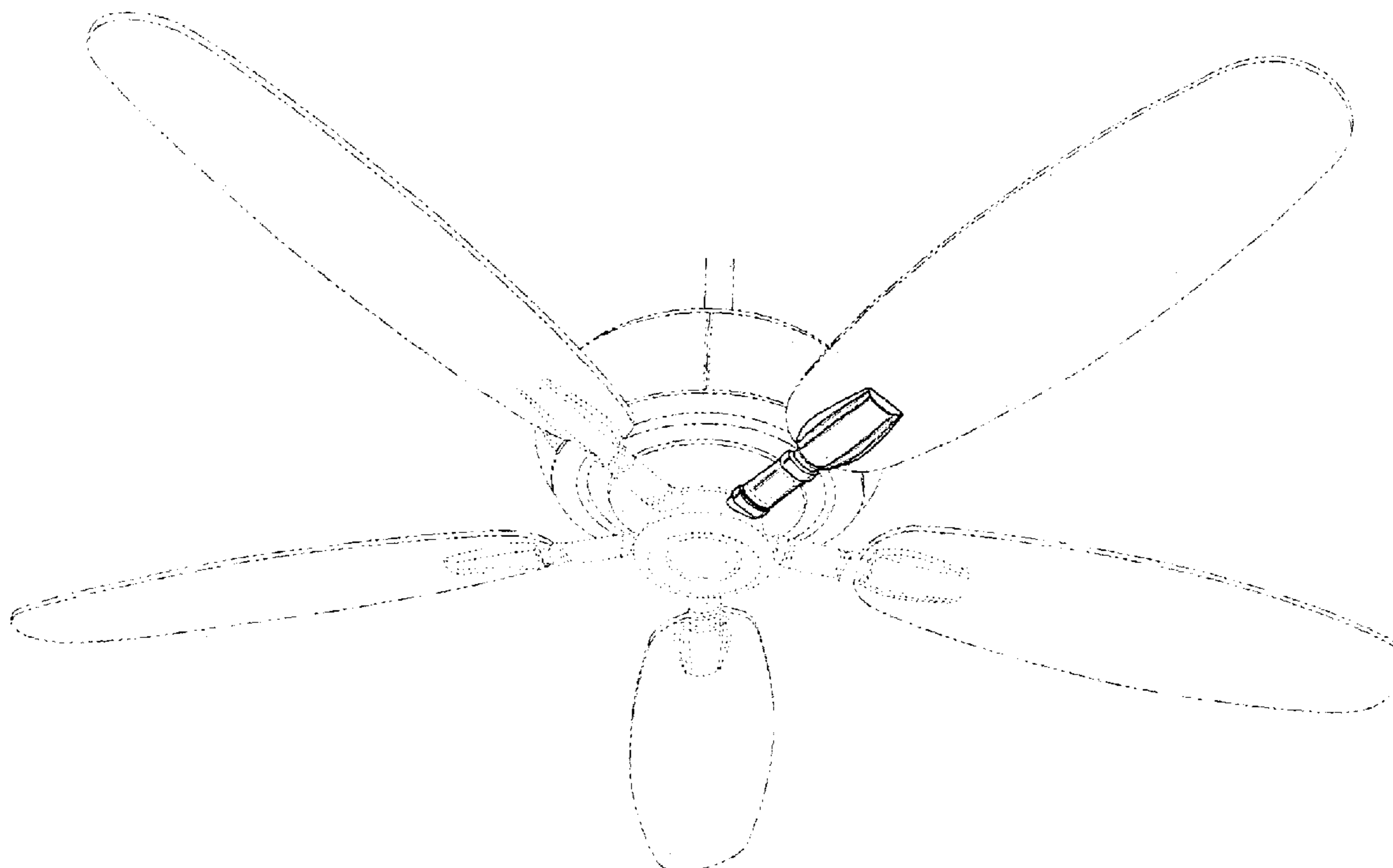
FIG. 6 is a top plan view of an enlarged ceiling fan blade iron in accordance with my design; and,

FIG. 7 is a distal end view of an enlarged ceiling fan blade iron in accordance with my design.

The broken lines showing environmental structure are for illustrative purposes and form no part of the claimed design.

The broken line showing the fan blades in FIGS. 3–6 have been shown broken away for ease of illustration.

1 Claim, 3 Drawing Sheets



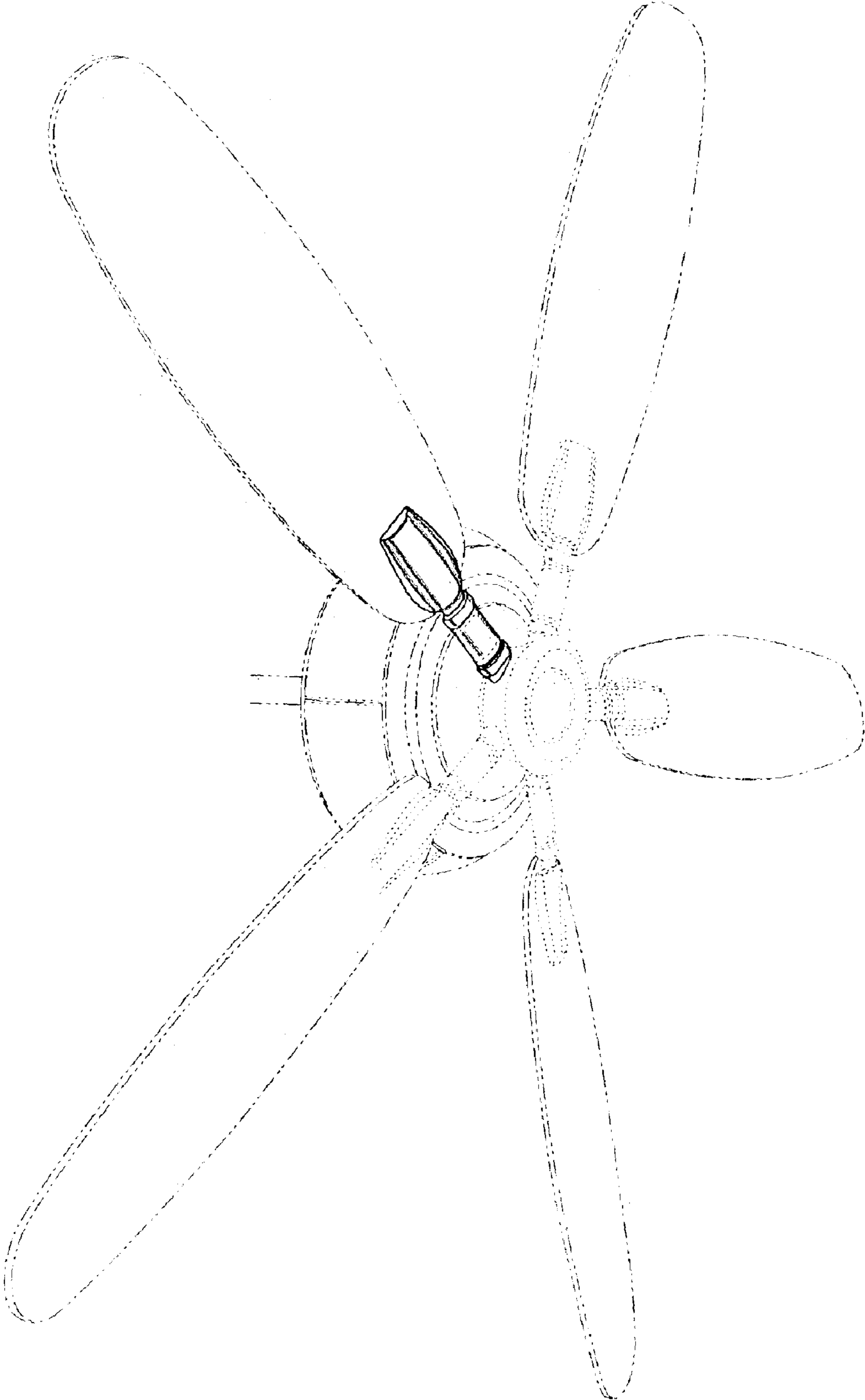


Fig. 1

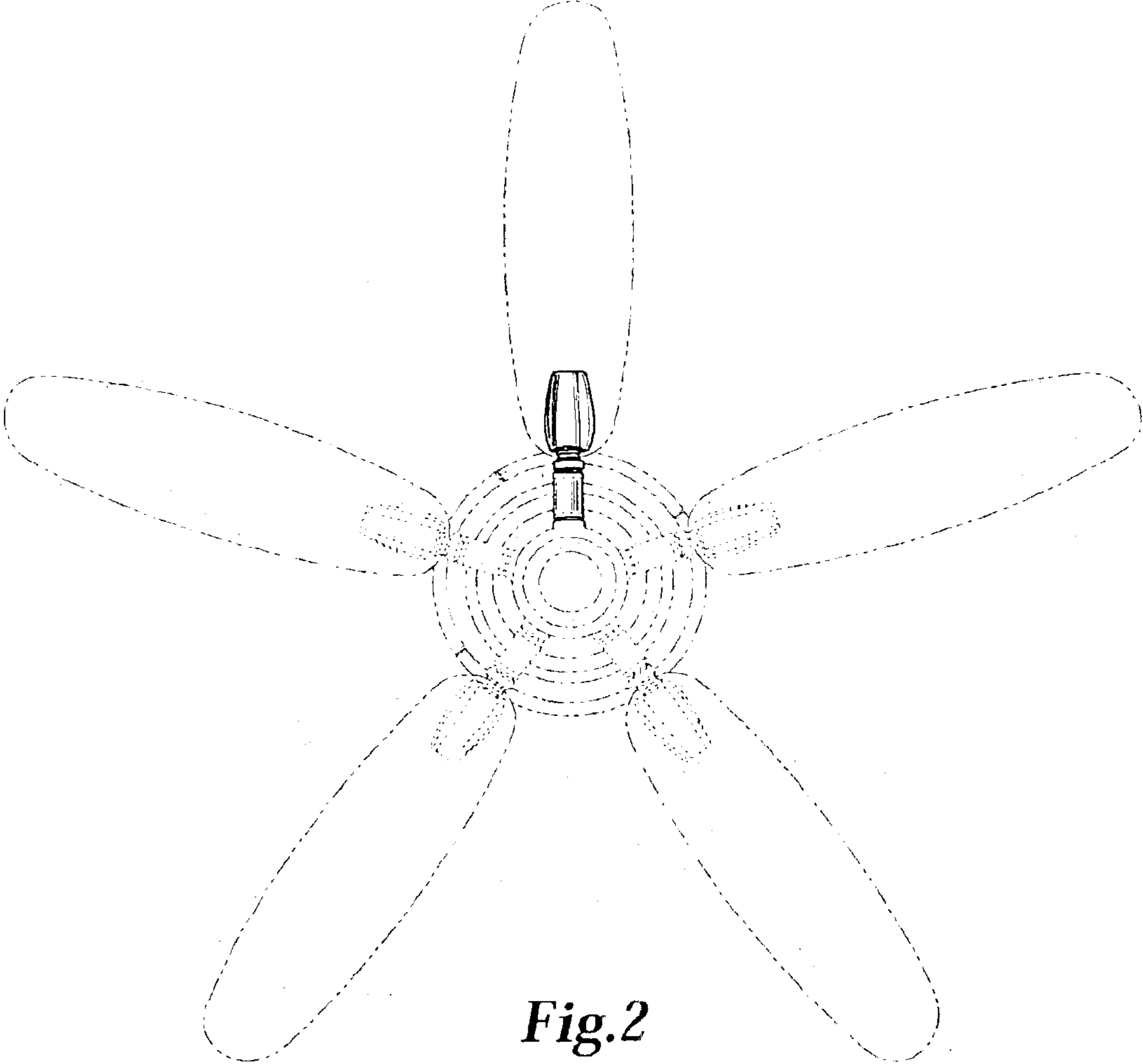


Fig.2

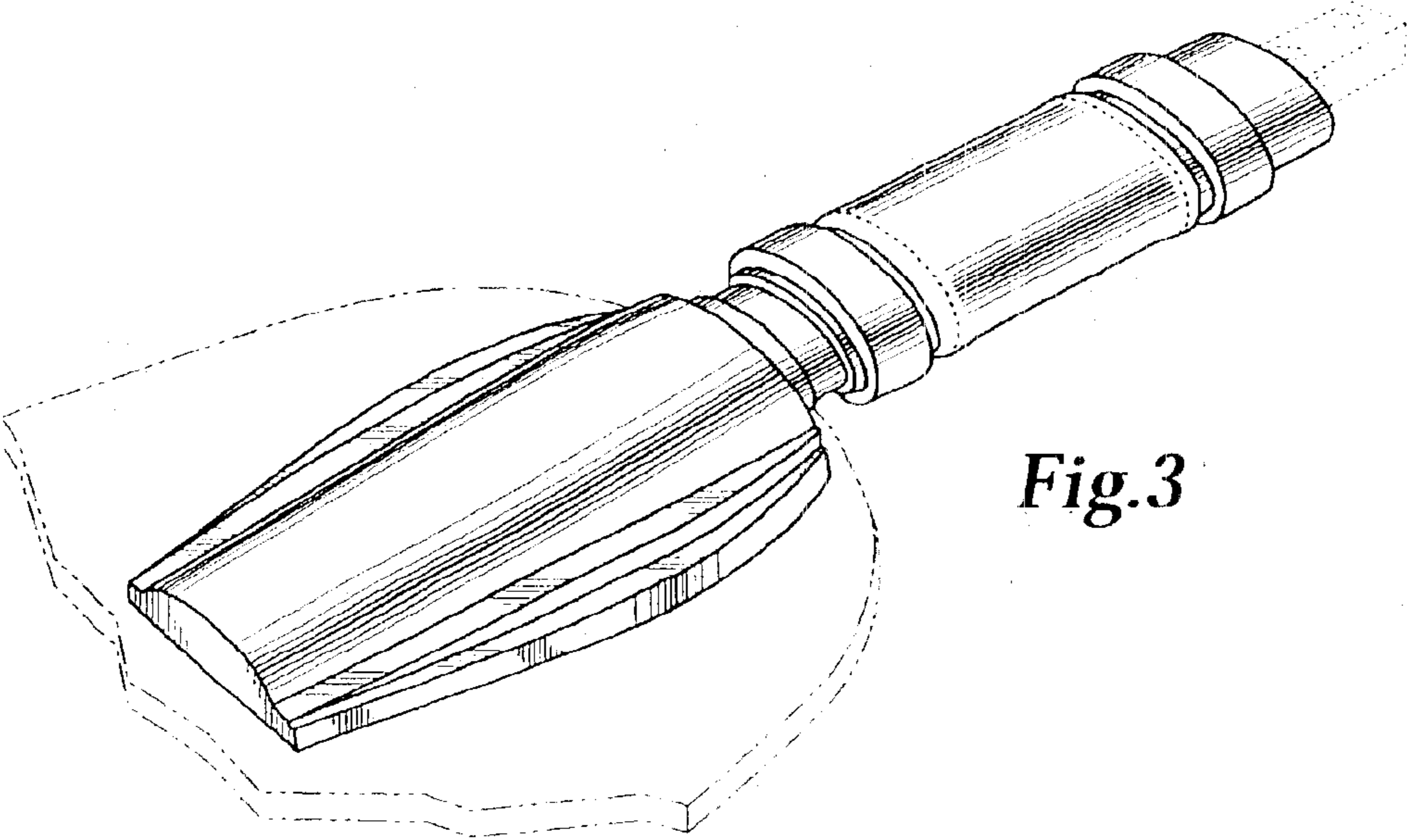


Fig.3

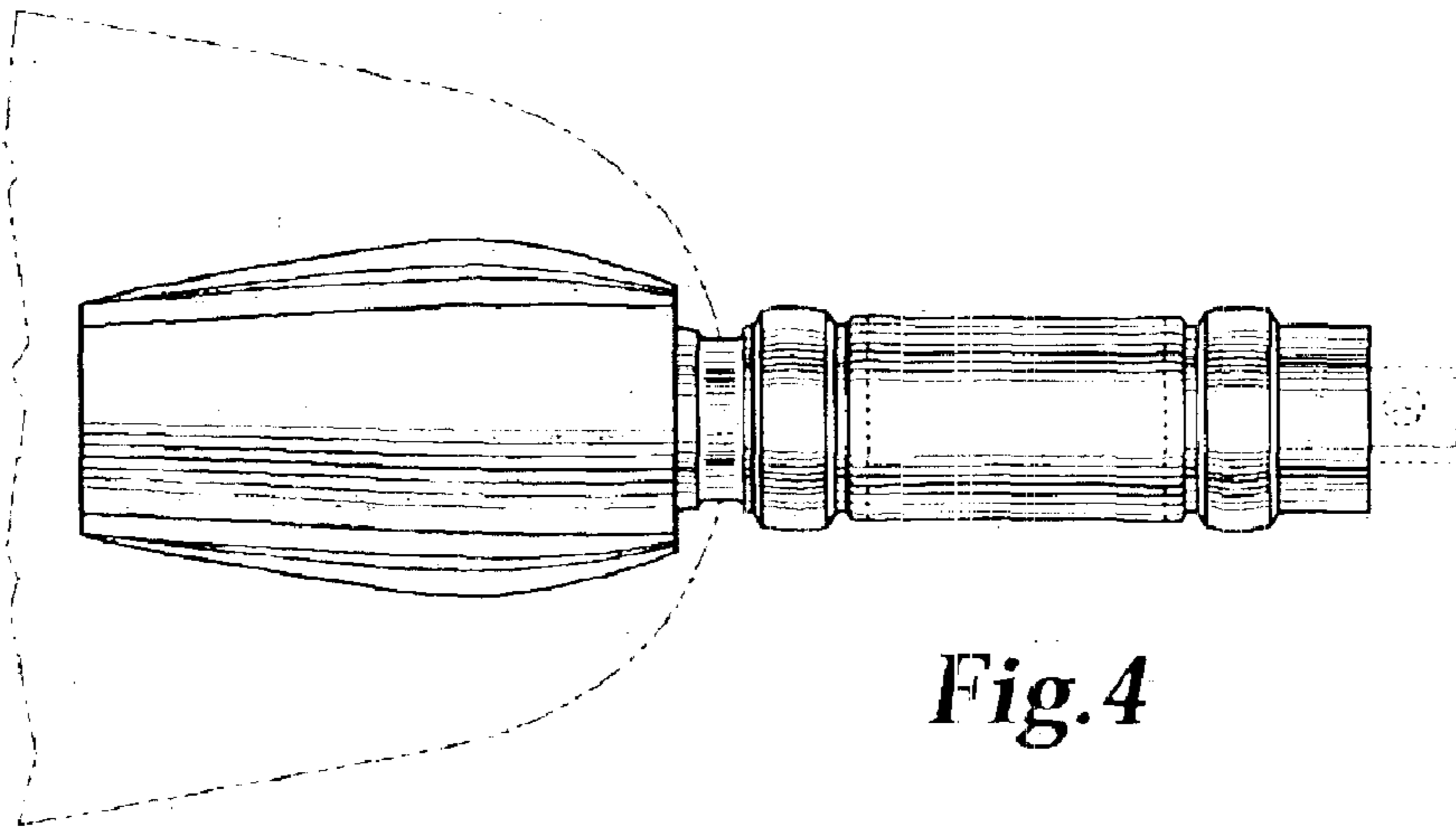


Fig.4

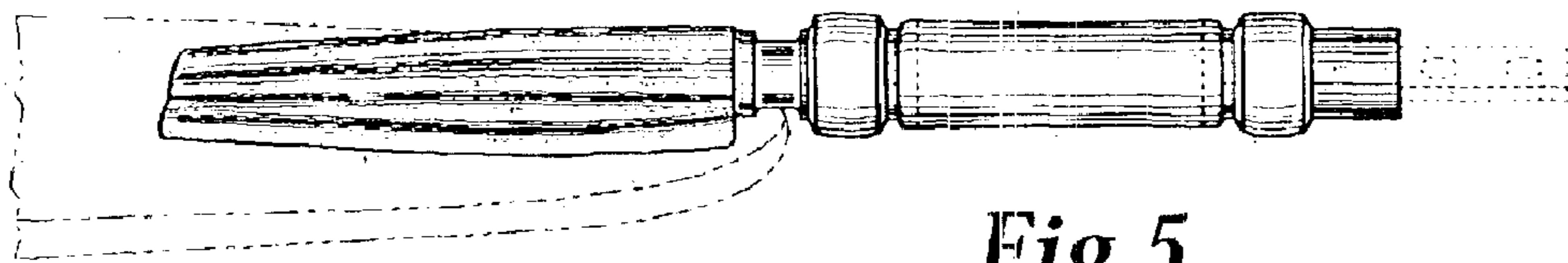


Fig.5

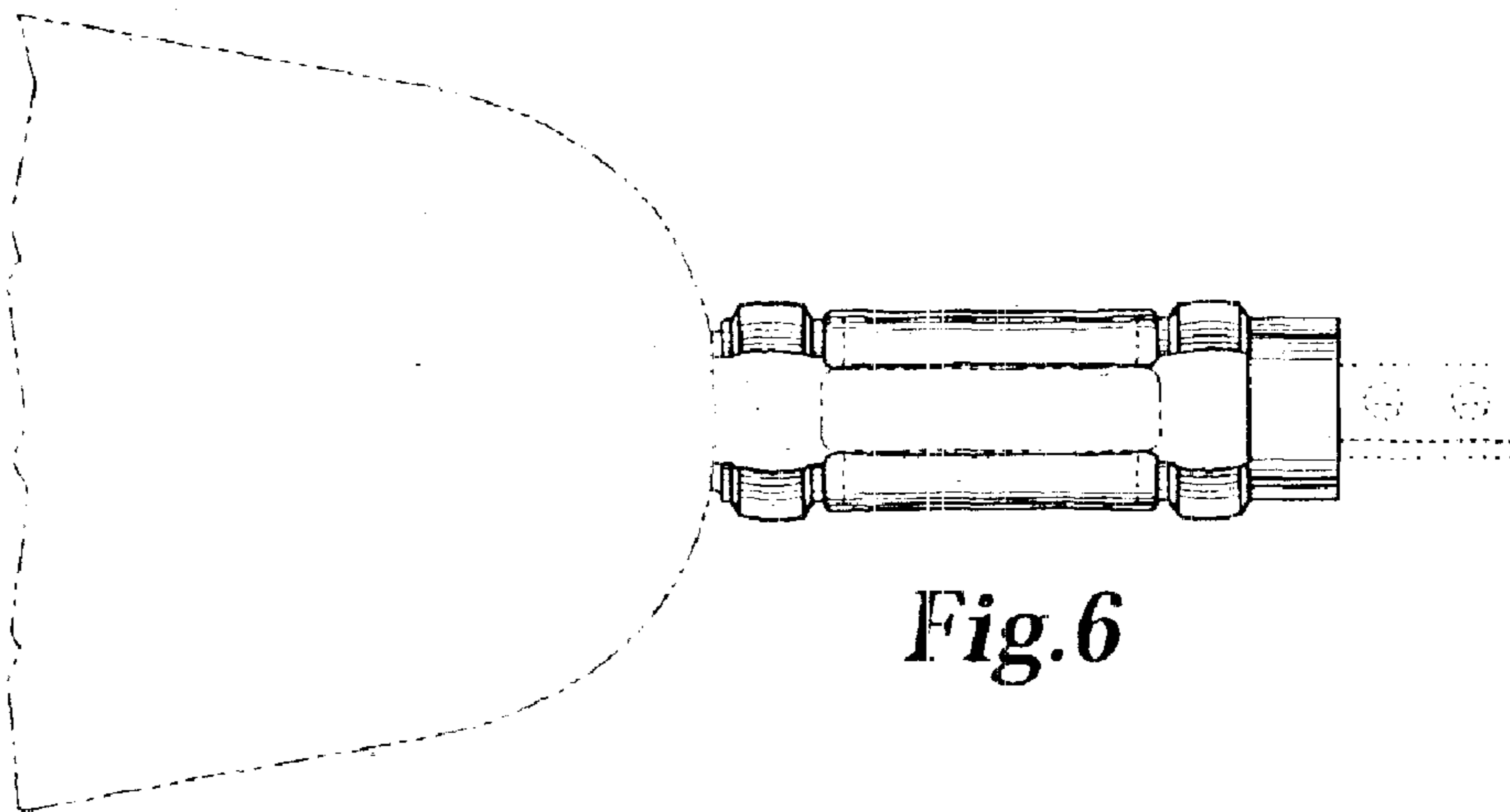


Fig.6

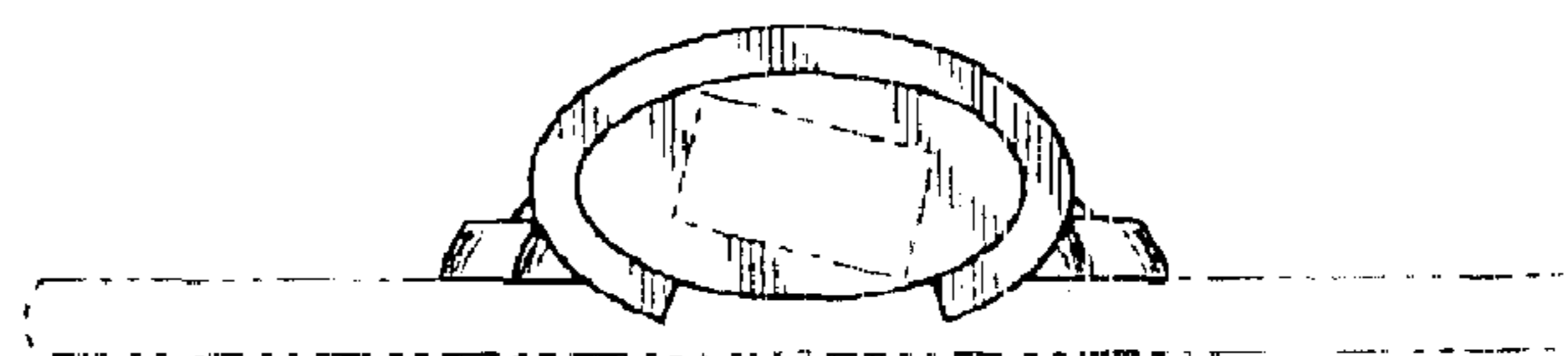


Fig.7