

US00D505711S

(12) **United States Design Patent**
Wu

(10) **Patent No.: US D505,711 S**

(45) **Date of Patent: ** May 31, 2005**

(54) **AQUARIUM FILTER DEVICE**

D473,282 S * 4/2003 Lin D23/210

(76) **Inventor: Hsiu-Mei Wu**, No. 344, Cheng-Gong
E. Rd., Yualin Township, Changhua
Hsien (TW)

* cited by examiner

Primary Examiner—Robin V. Taylor
(74) *Attorney, Agent, or Firm*—Rosenberg, Klein & Lee

(**) **Term: 14 Years**

(57) **CLAIM**

(21) **Appl. No.: 29/200,966**

The ornamental design for a aquarium filter device, as shown and described.

(22) **Filed: Mar. 9, 2004**

DESCRIPTION

(51) **LOC (7) Cl. 23-01**

(52) **U.S. Cl. D23/210**

(58) **Field of Search** D23/210; 210/169,
210/416.2, 151

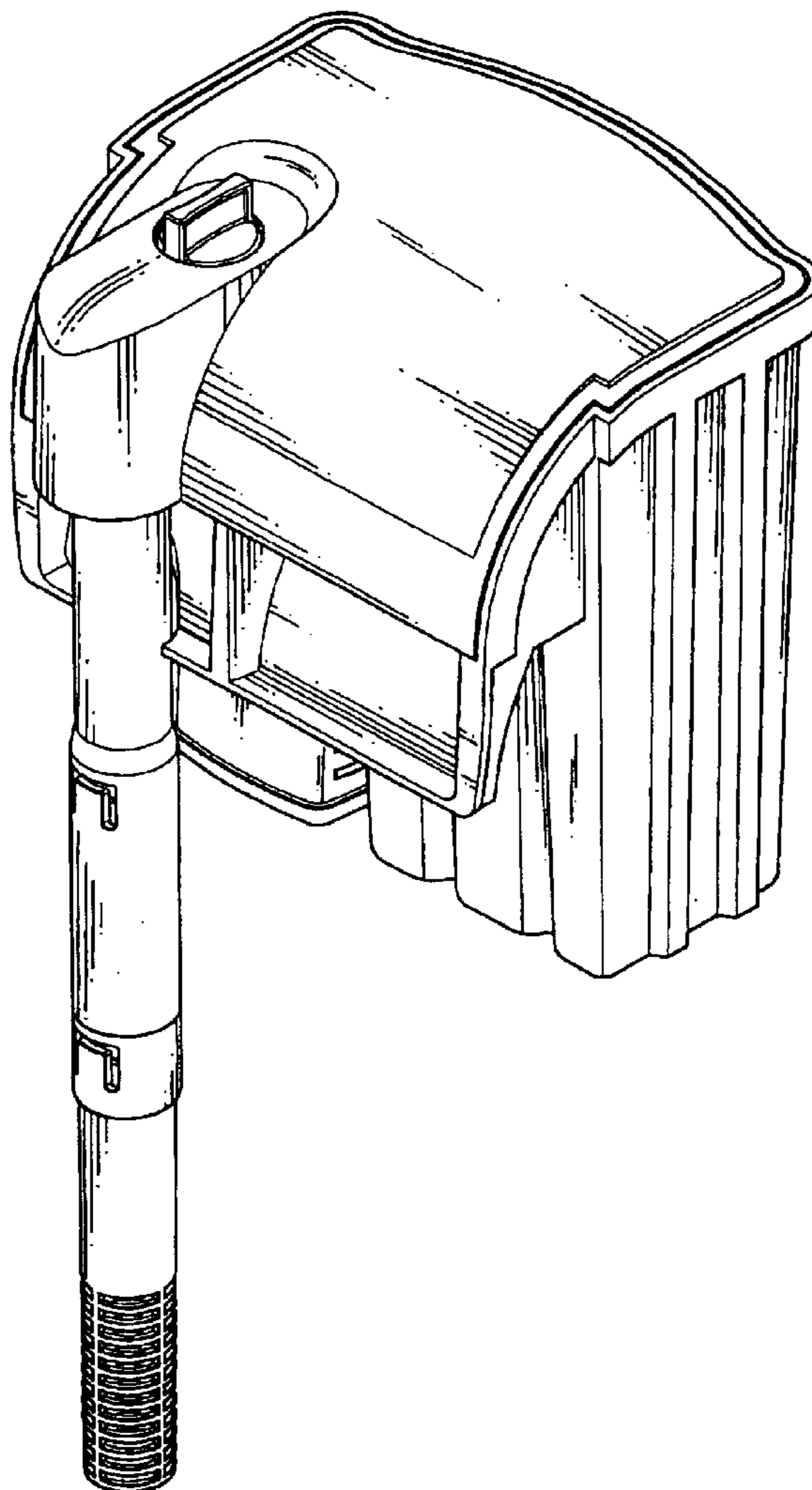
FIG. 1 is a front-right -top perspective view of a aquarium filter device, showing my new design;
FIG. 2 is a front elevational view thereof;
FIG. 3 is a rear elevational view thereof;
FIG. 4 is a left elevational view thereof;
FIG. 5 is a right elevational view thereof, and
FIG. 6 is a top plan view thereof; and,
FIG. 7 is a bottom plan view thereof.

(56) **References Cited**

U.S. PATENT DOCUMENTS

4,602,996 A	*	7/1986	Willinger	210/136
5,728,293 A	*	3/1998	Guoli et al.	210/151
D441,829 S	*	5/2001	Wang	D23/210

1 Claim, 6 Drawing Sheets



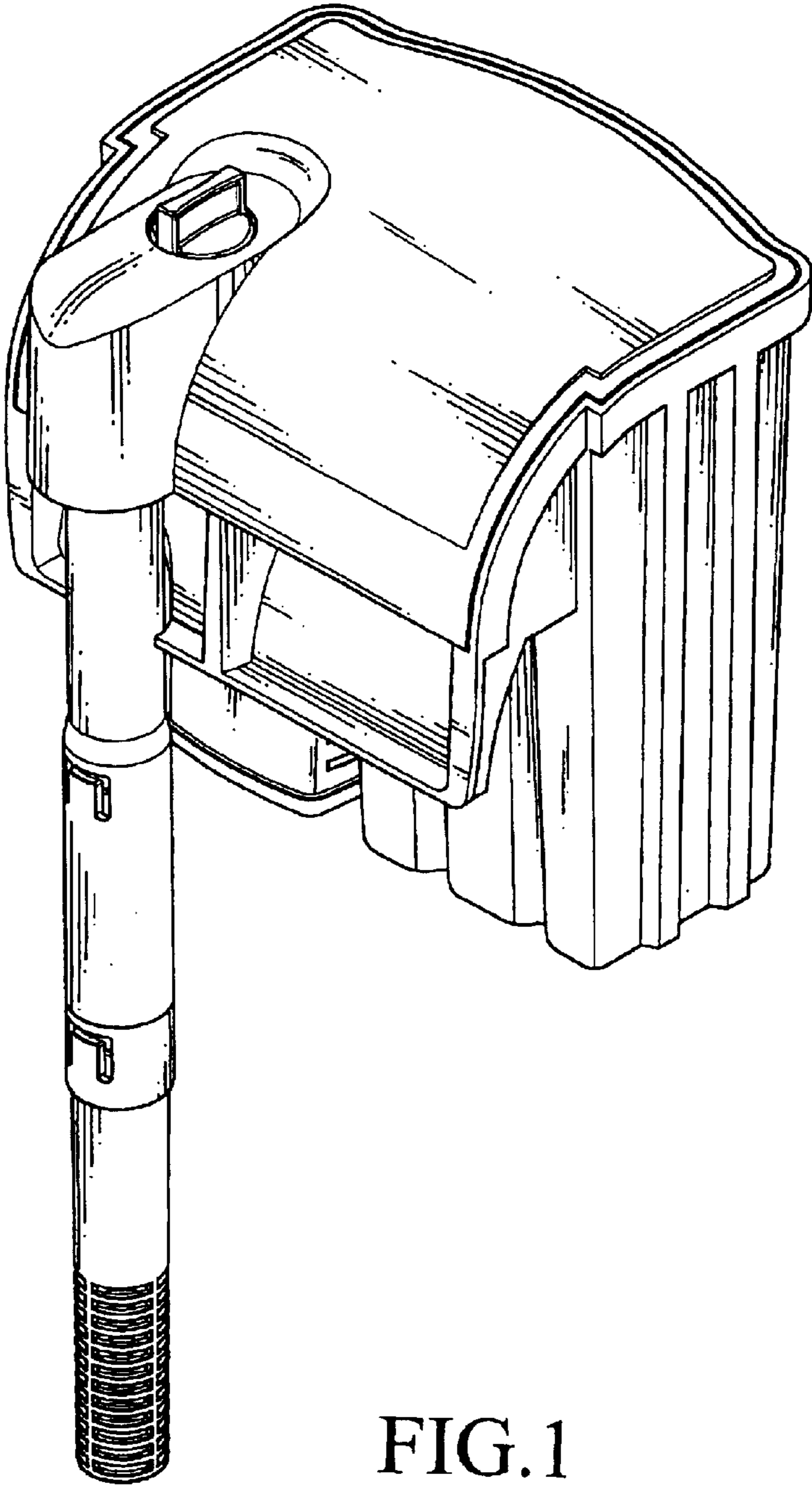


FIG. 1

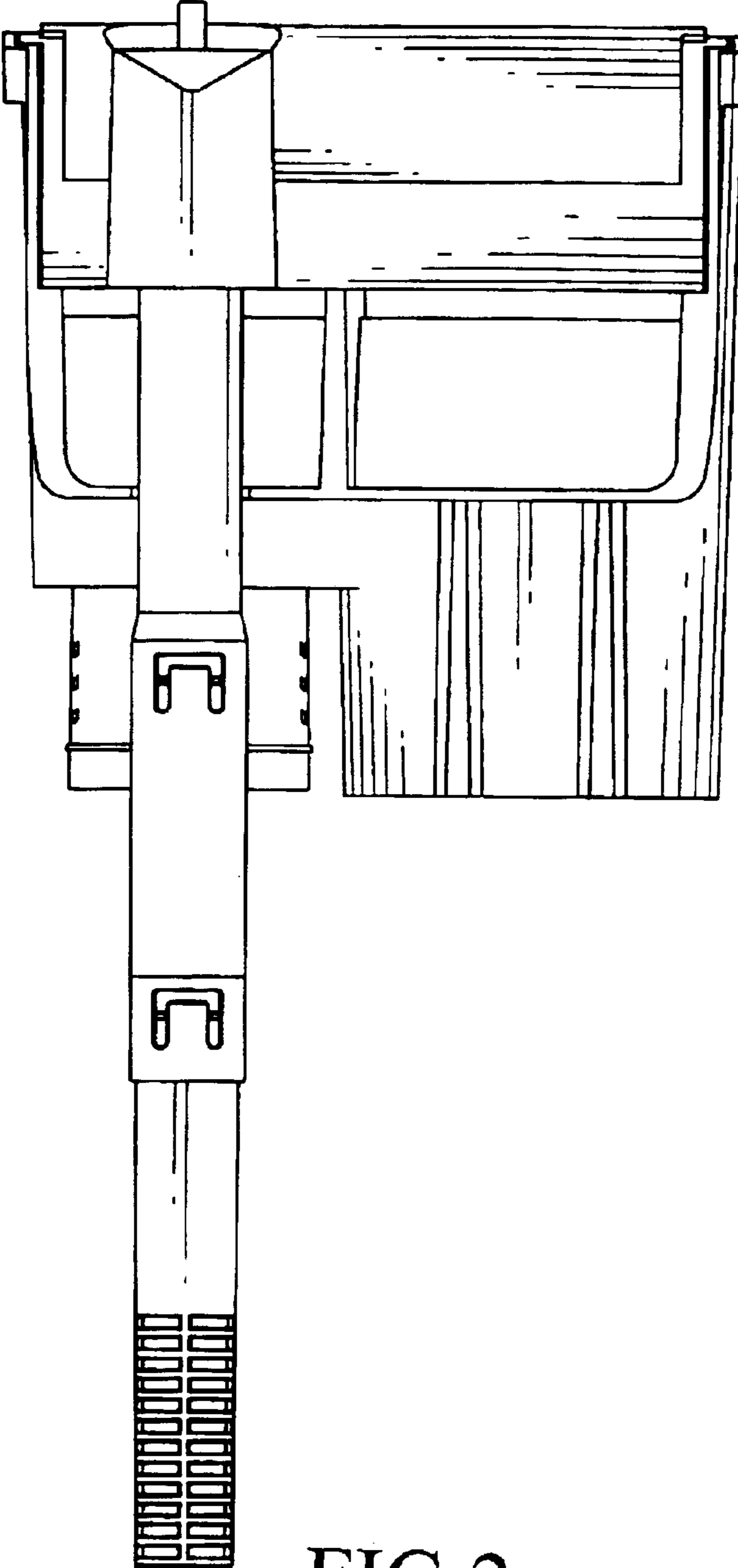


FIG. 2

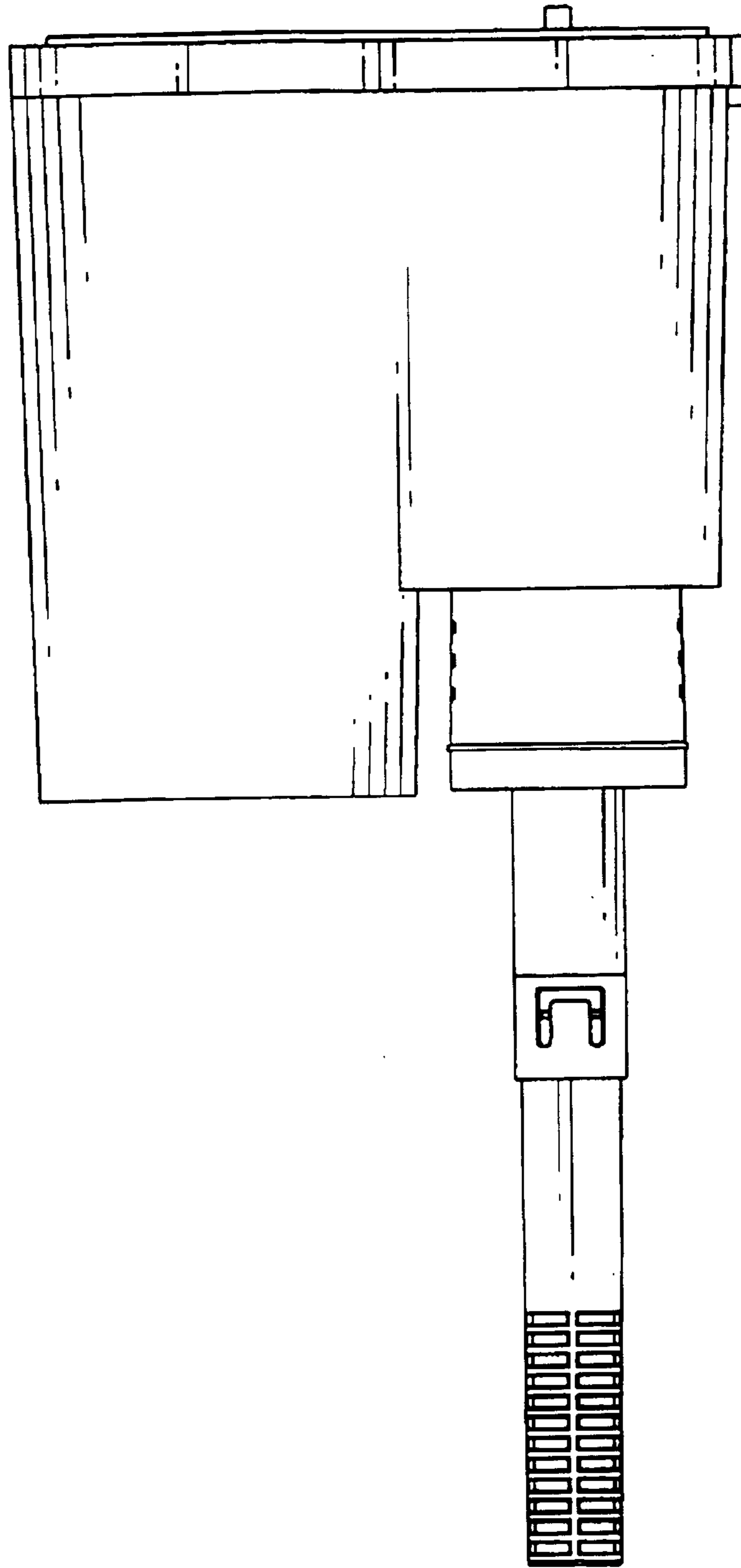


FIG.3

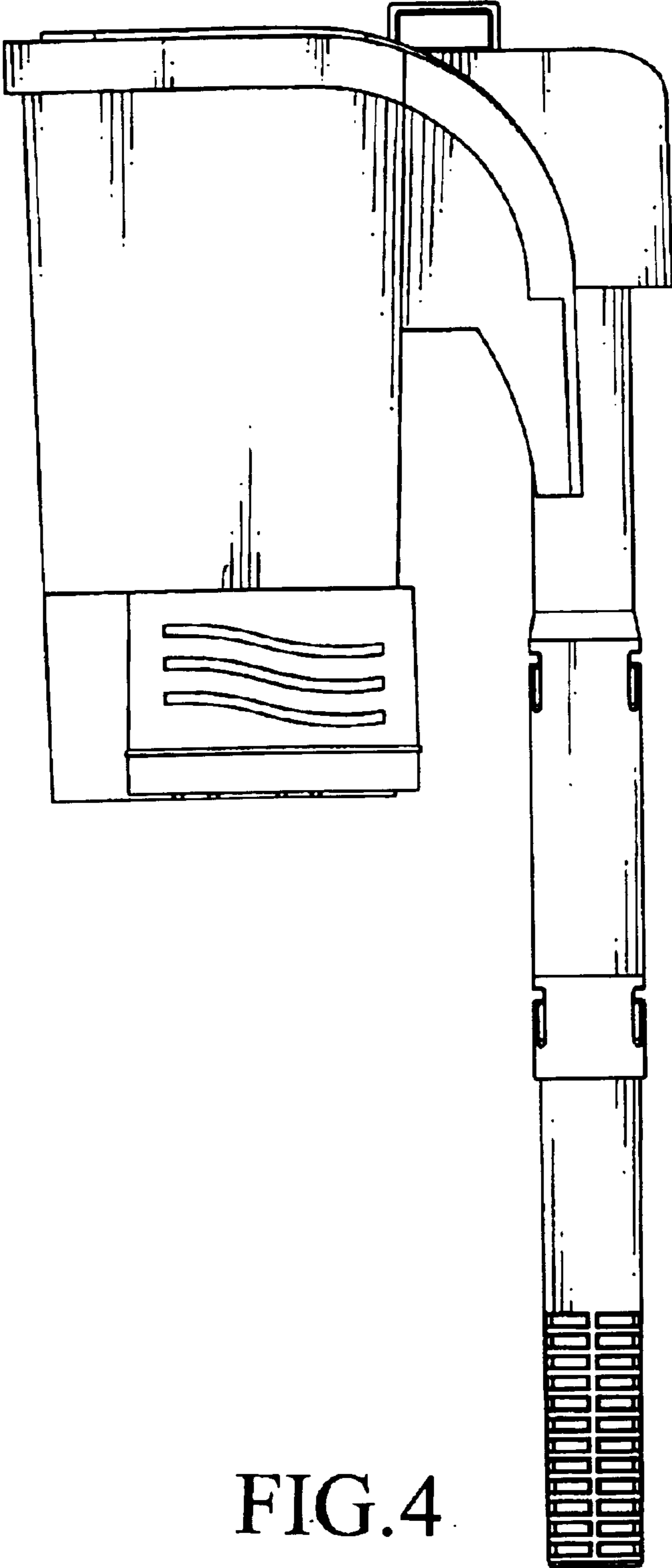


FIG. 4

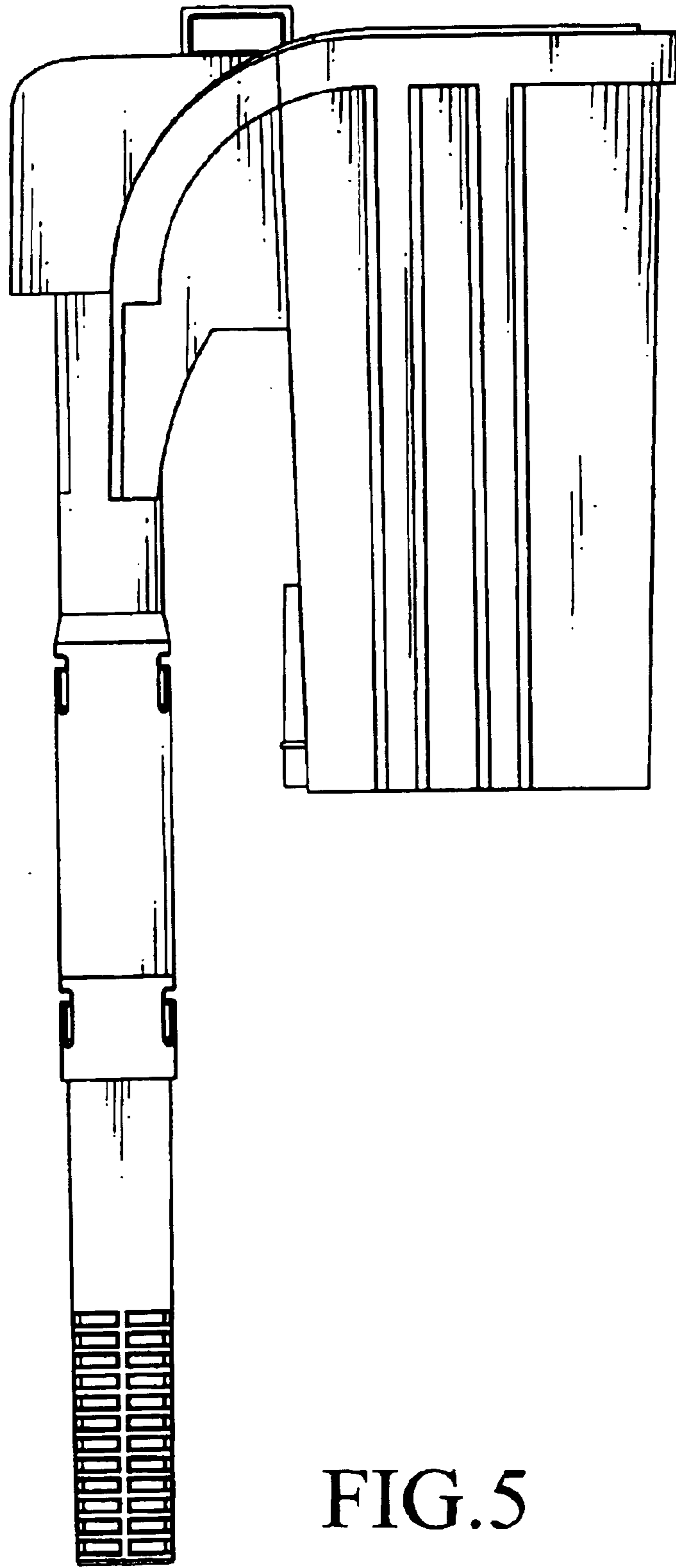


FIG. 5

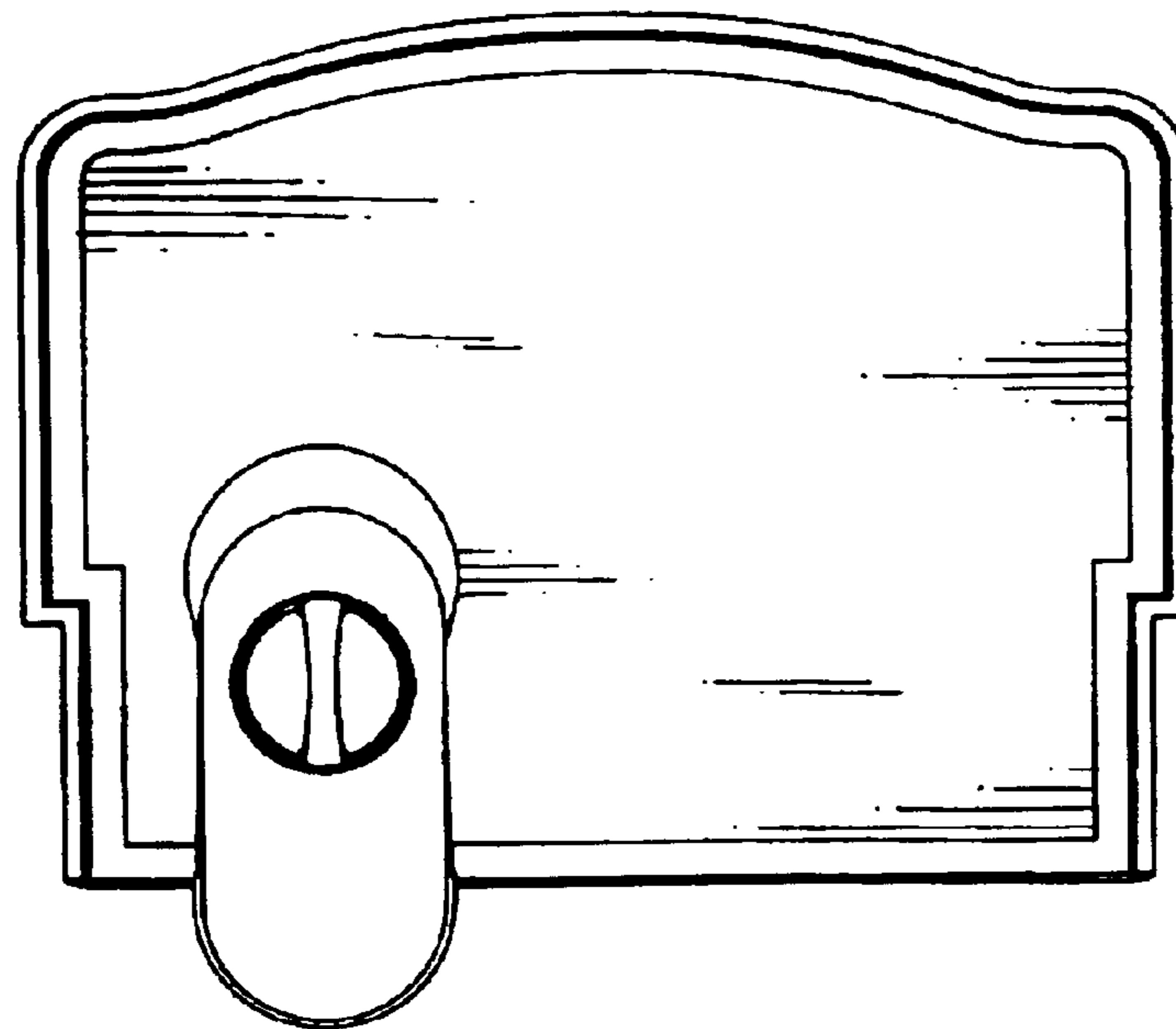


FIG. 6

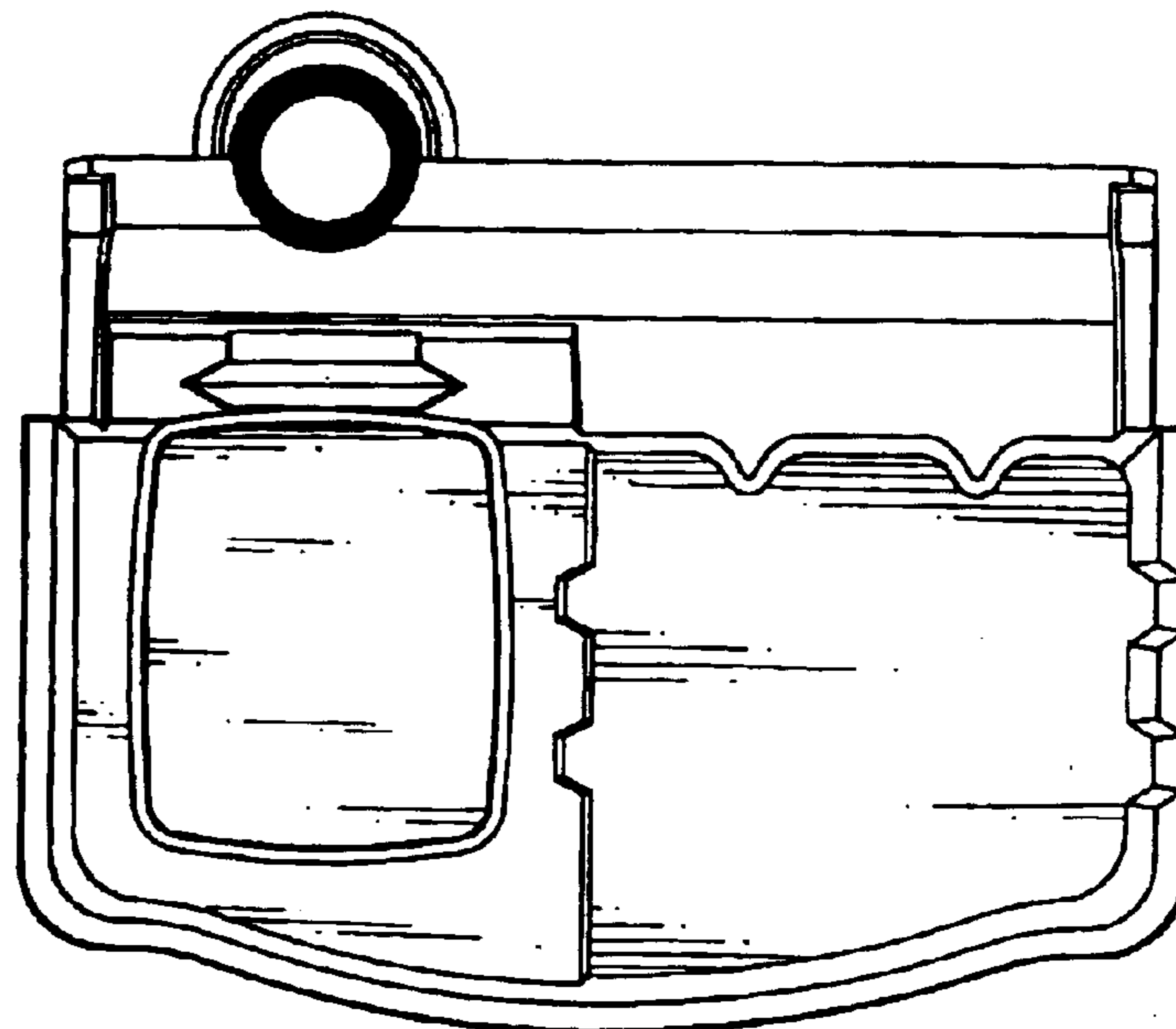


FIG. 7