

US00D505710S

(12) **United States Design Patent**  
**Kitazaki**

(10) **Patent No.:** **US D505,710 S**

(45) **Date of Patent:** **\*\* May 31, 2005**

(54) **FISHING REEL**

(75) **Inventor:** **Tomokazu Kitazaki, Osaka (JP)**

(73) **Assignee:** **Shimano Inc., Osaka (JP)**

(\*\*) **Term:** **14 Years**

(21) **Appl. No.:** **29/202,038**

(22) **Filed:** **Mar. 25, 2004**

(30) **Foreign Application Priority Data**

Sep. 26, 2003 (JP) ..... 2003-028116

(51) **LOC (7) Cl.** ..... **22-05**

(52) **U.S. Cl.** ..... **D22/141**

(58) **Field of Search** ..... D22/141, 140,  
D22/137; 242/316, 224, 370, 223, 234,  
311, 322, 283; 43/19-22

(56) **References Cited**

**U.S. PATENT DOCUMENTS**

5,433,394 A	*	7/1995	Brozio	.....	242/283
D388,860 S	*	1/1998	Iwabuchi	.....	D22/141
D404,793 S	*	1/1999	Oh	.....	D22/141
D414,237 S	*	9/1999	Kang et al.	.....	D22/141
D423,635 S	*	4/2000	Robbins	.....	D22/141
D424,657 S	*	5/2000	Kang et al.	.....	D22/141
D443,019 S	*	5/2001	Kang et al.	.....	D22/141

\* cited by examiner

*Primary Examiner*—Catherine R. Oliver

(74) *Attorney, Agent, or Firm*—Shinju Global IP  
Counselors, LLP

(57) **CLAIM**

The ornamental design for a fishing reel, as shown and described.

**DESCRIPTION**

FIG. 1 is a top plan view of a fishing reel in accordance with my new design;

FIG. 2 is a bottom rear view of the fishing reel in accordance with my new design;

FIG. 3 is a front elevational view of the fishing reel in accordance with my new design;

FIG. 4 is a rear view of the fishing reel in accordance with my new design;

FIG. 5 is a right side view of the fishing reel in accordance with my new design;

FIG. 6 is a left side view of the fishing reel in accordance with my new design;

FIG. 7 is a right side perspective view of the fishing reel in accordance with my new design.

FIG. 8 is a left side perspective view of the fishing reel in accordance with my new design.

FIG. 9 is a cross sectional view shown along line 9—9 of FIG. 1; and,

FIG. 10 is a cross sectional view shown along line 10—10 of FIG. 1.

The broken line showing of environment (the remaining structure of the fishing reel) in the Figures is for illustrative purposes only and forms no part of the claimed design.

Specifically, the inner surfaces of various components of fishing reel such as the rotor arms and the spool are hereby disclaimed. The inner surfaces of the components of fishing reel do not form part of the claimed design.

**1 Claim, 5 Drawing Sheets**

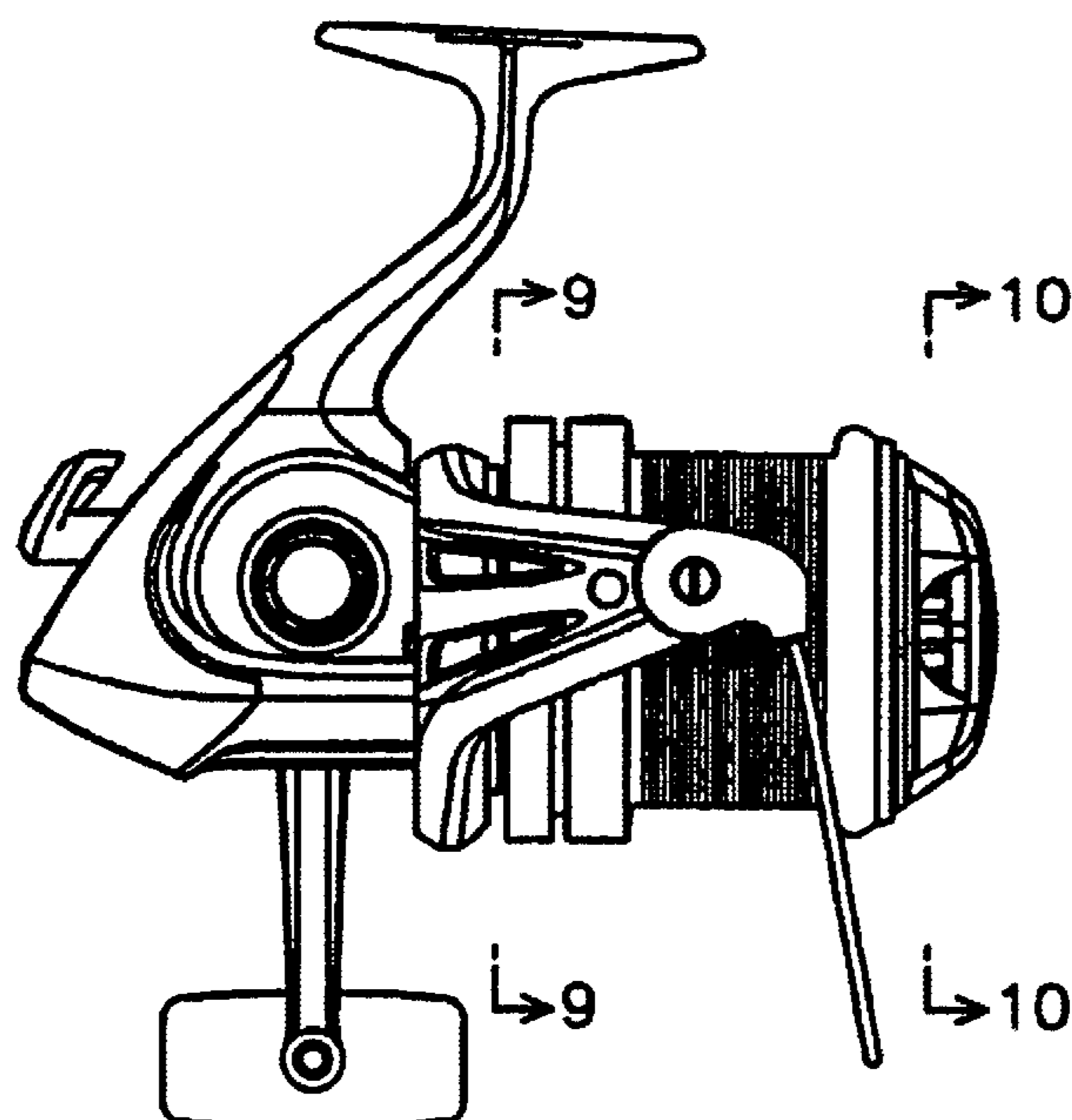


Figure 1

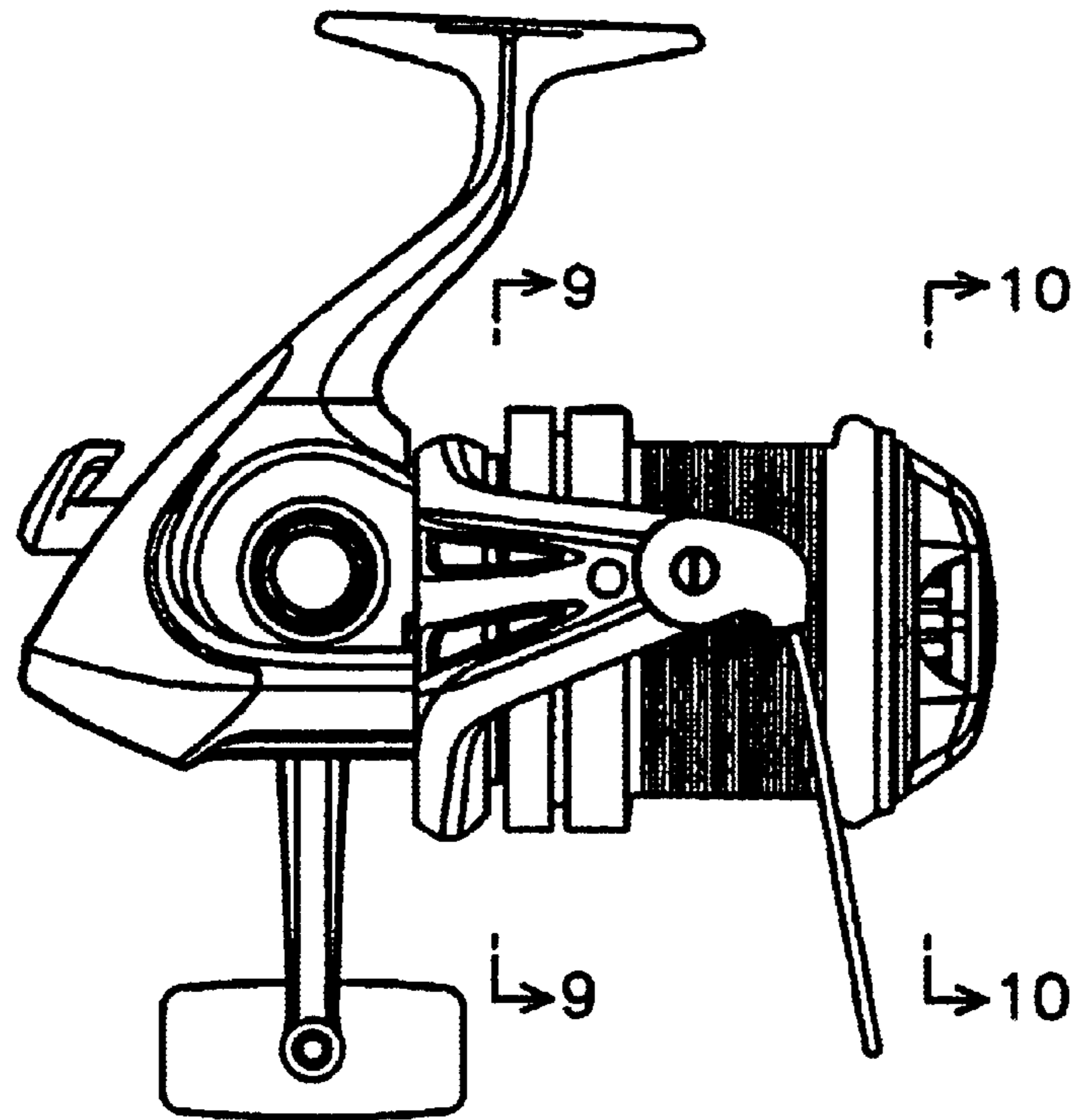


Figure 2

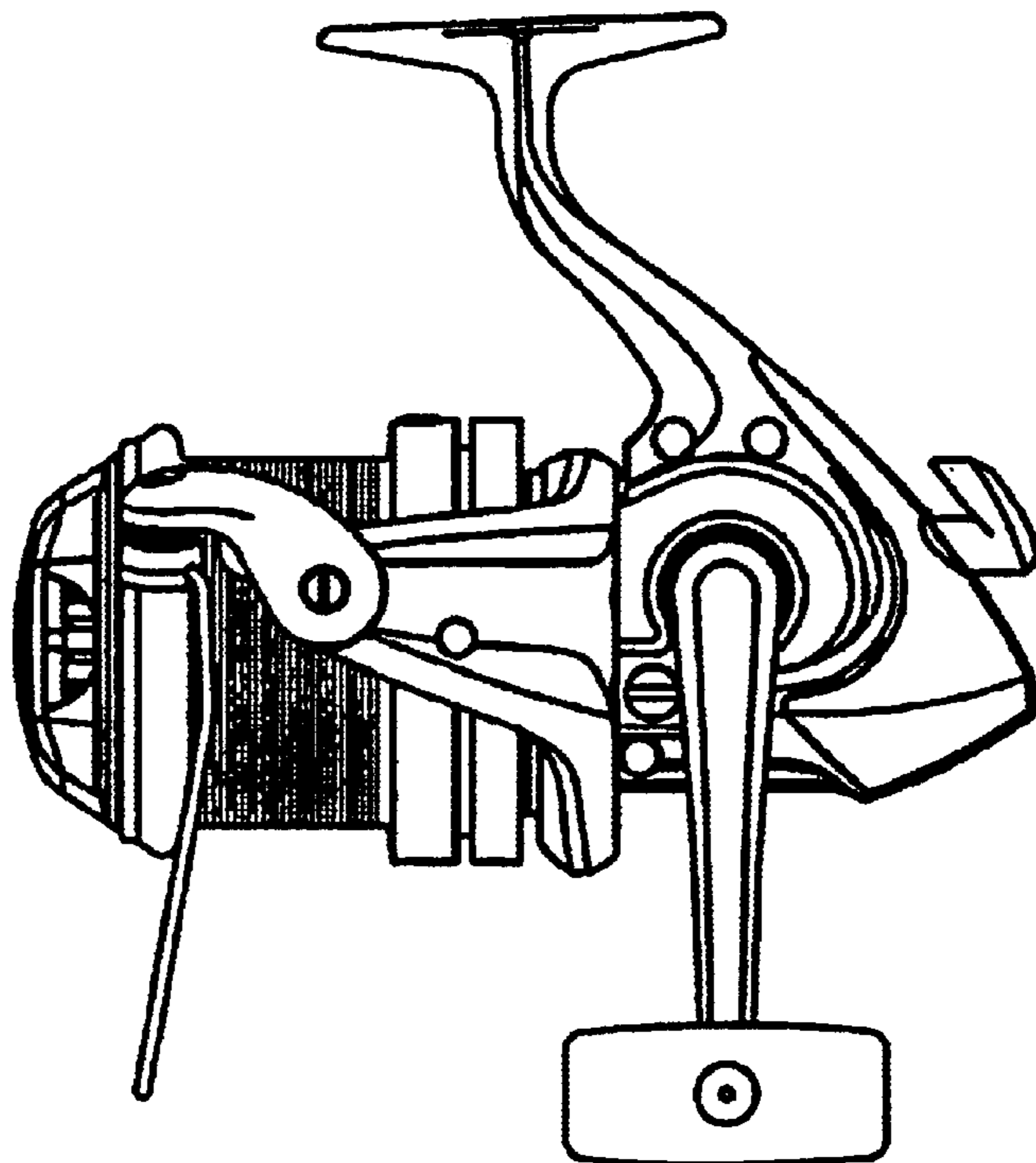


Figure 3

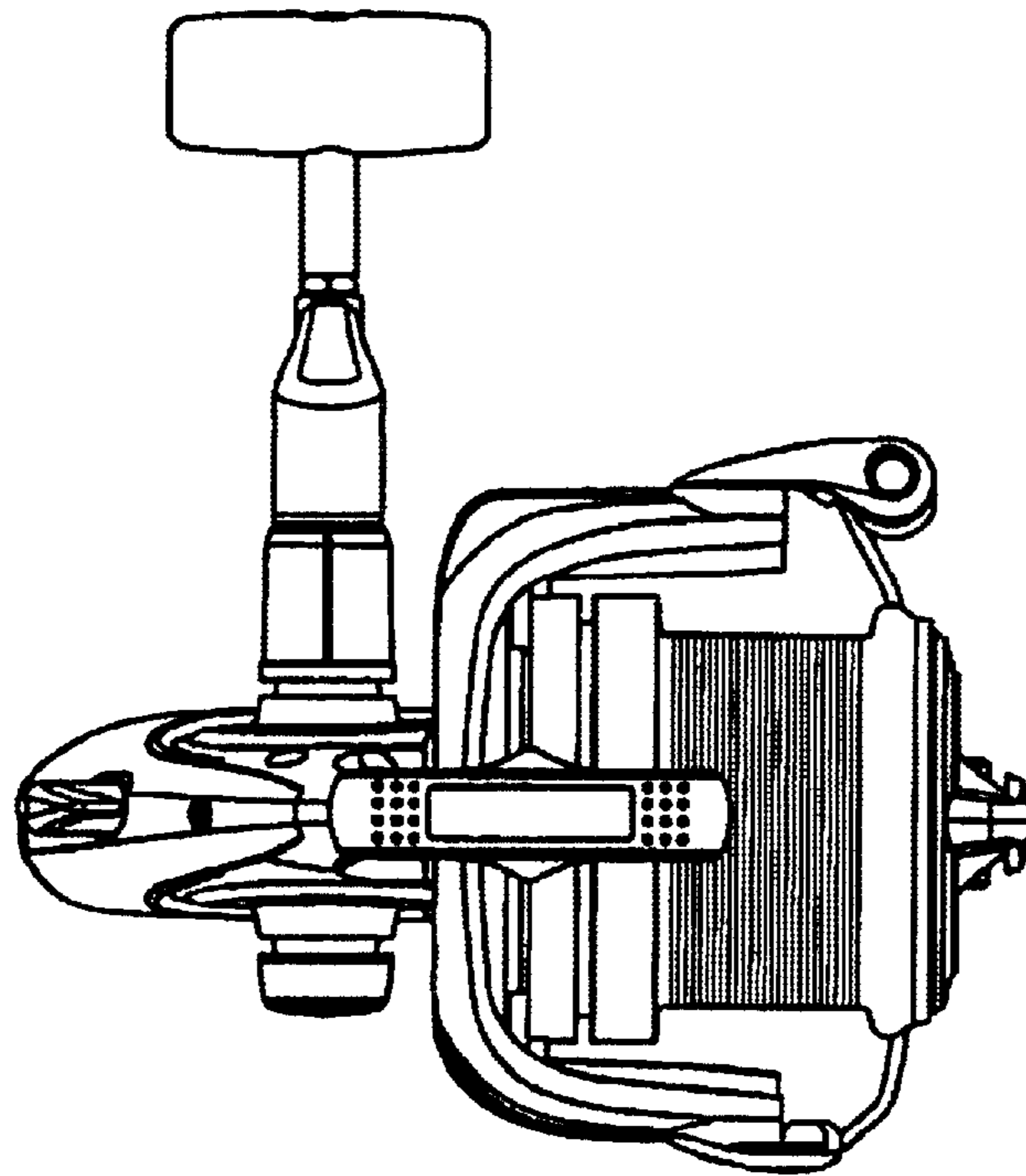


Figure 4

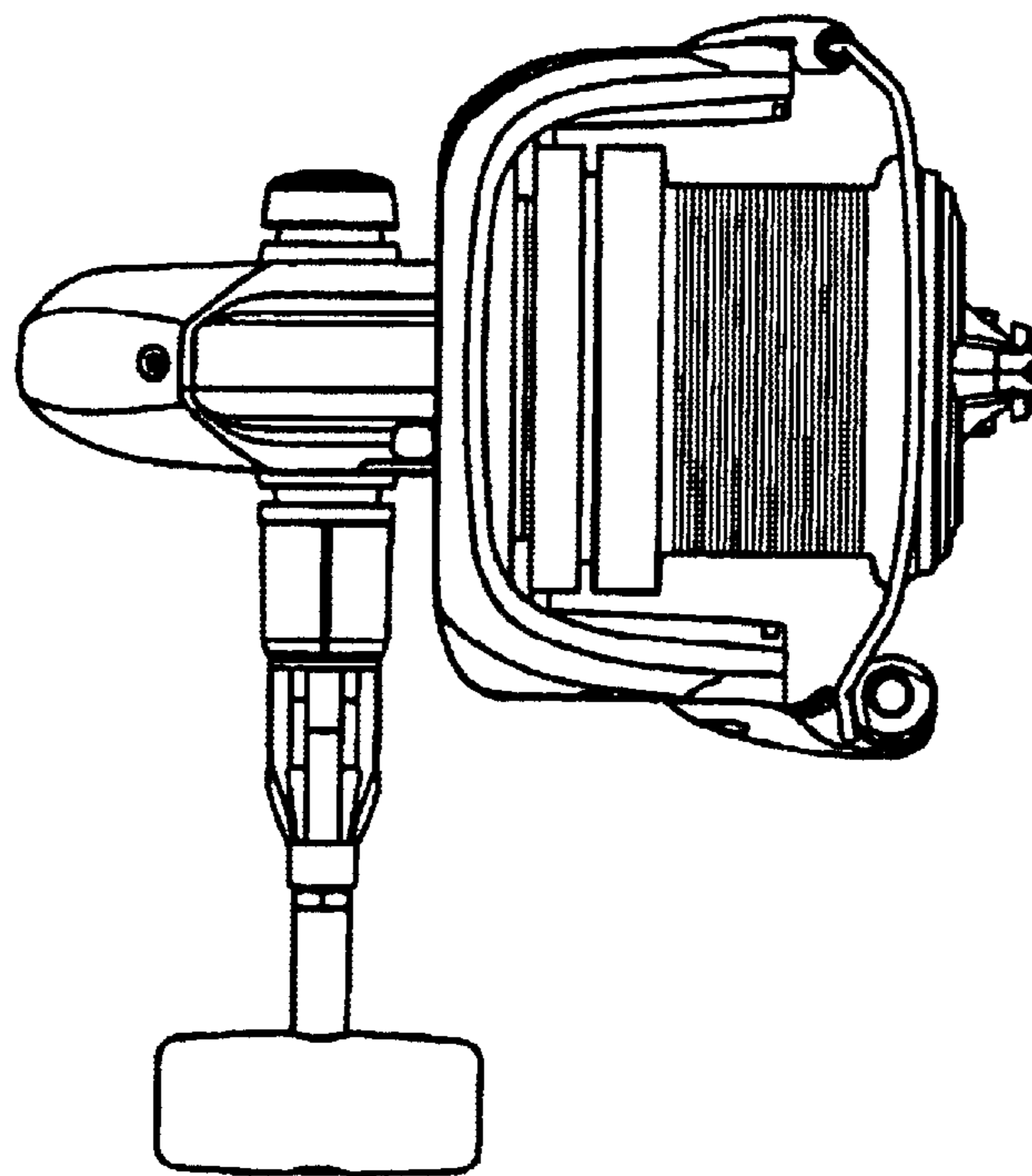


Figure 5

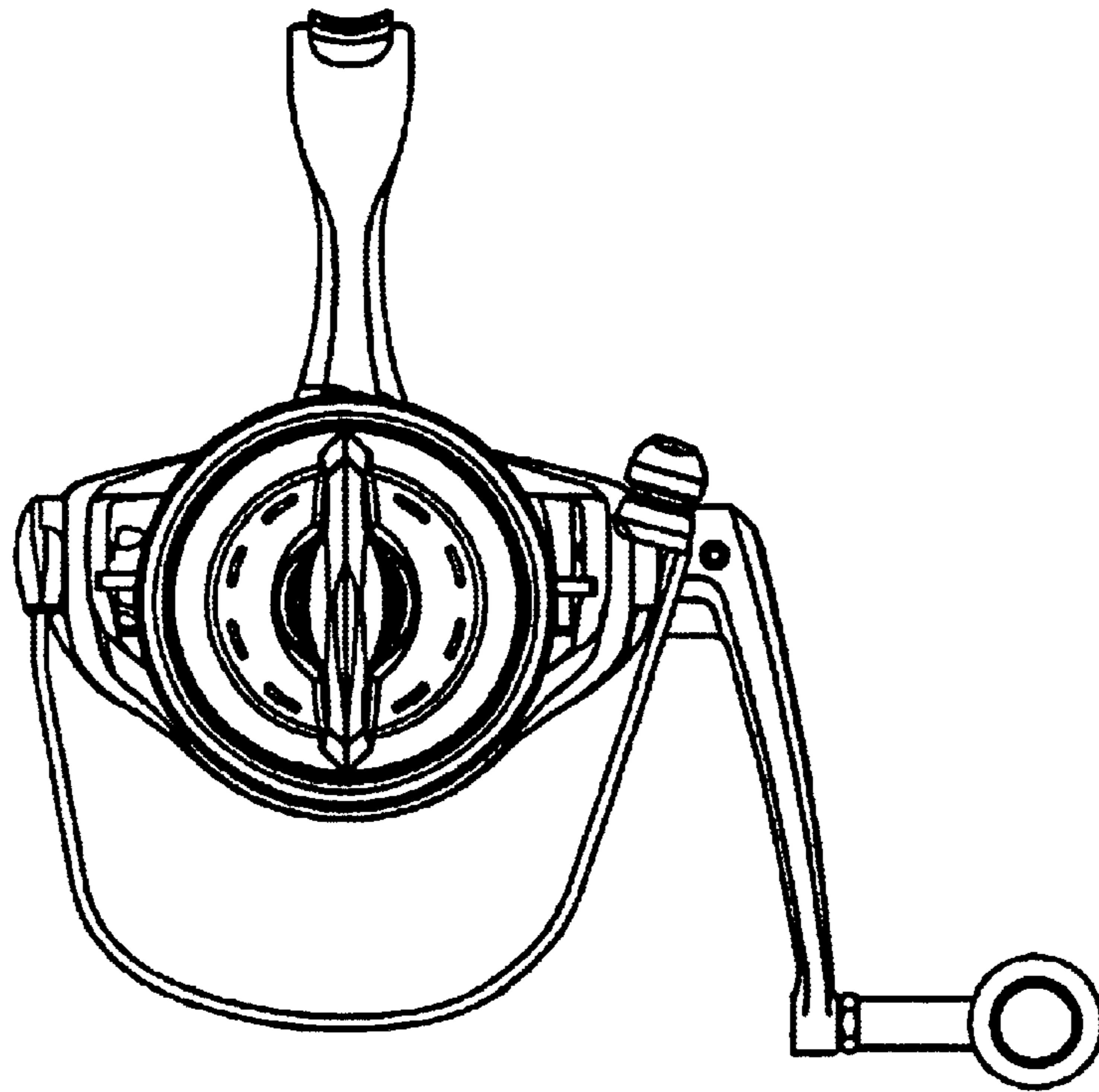


Figure 6

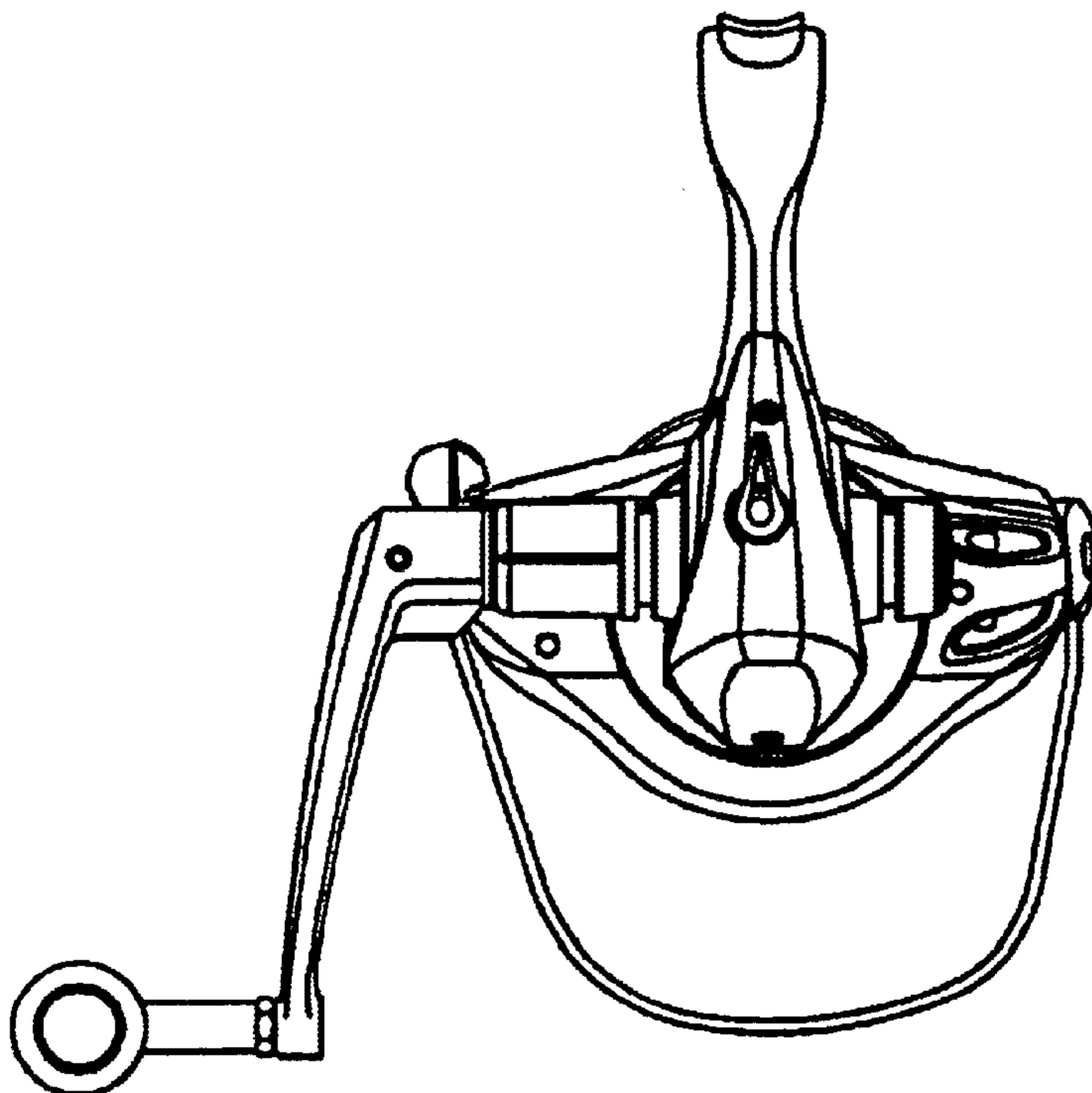


Figure 7

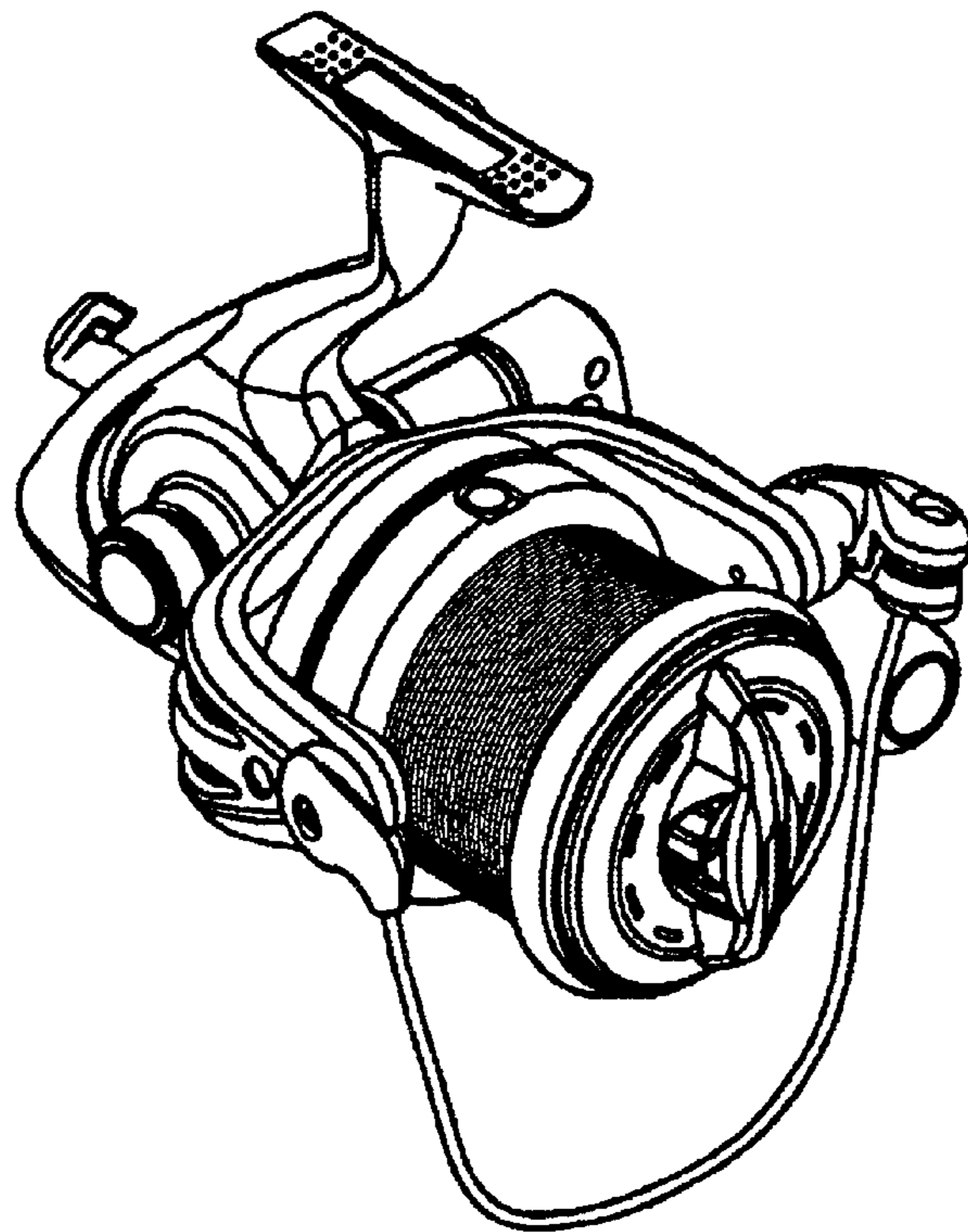


Figure 8

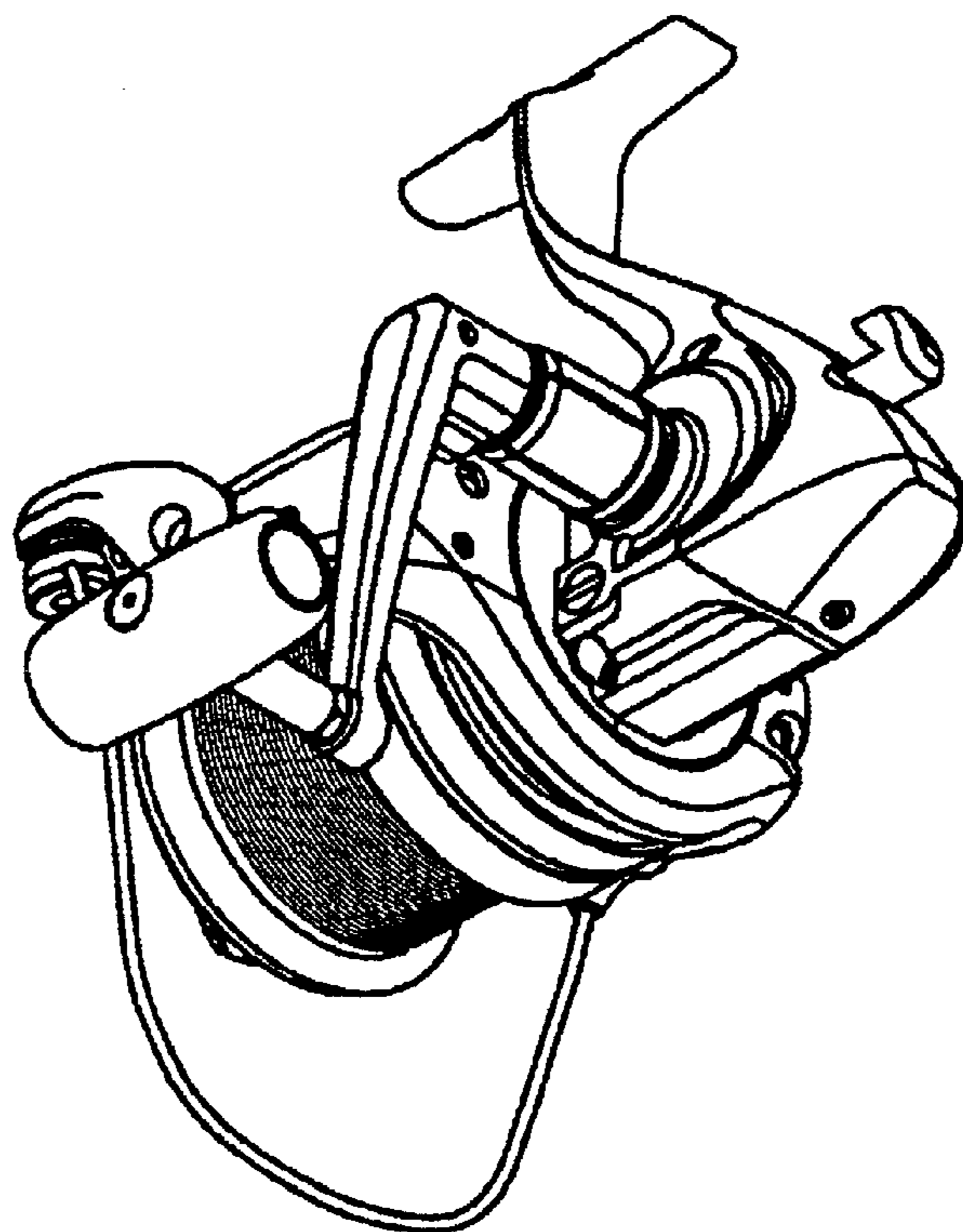


Figure 9

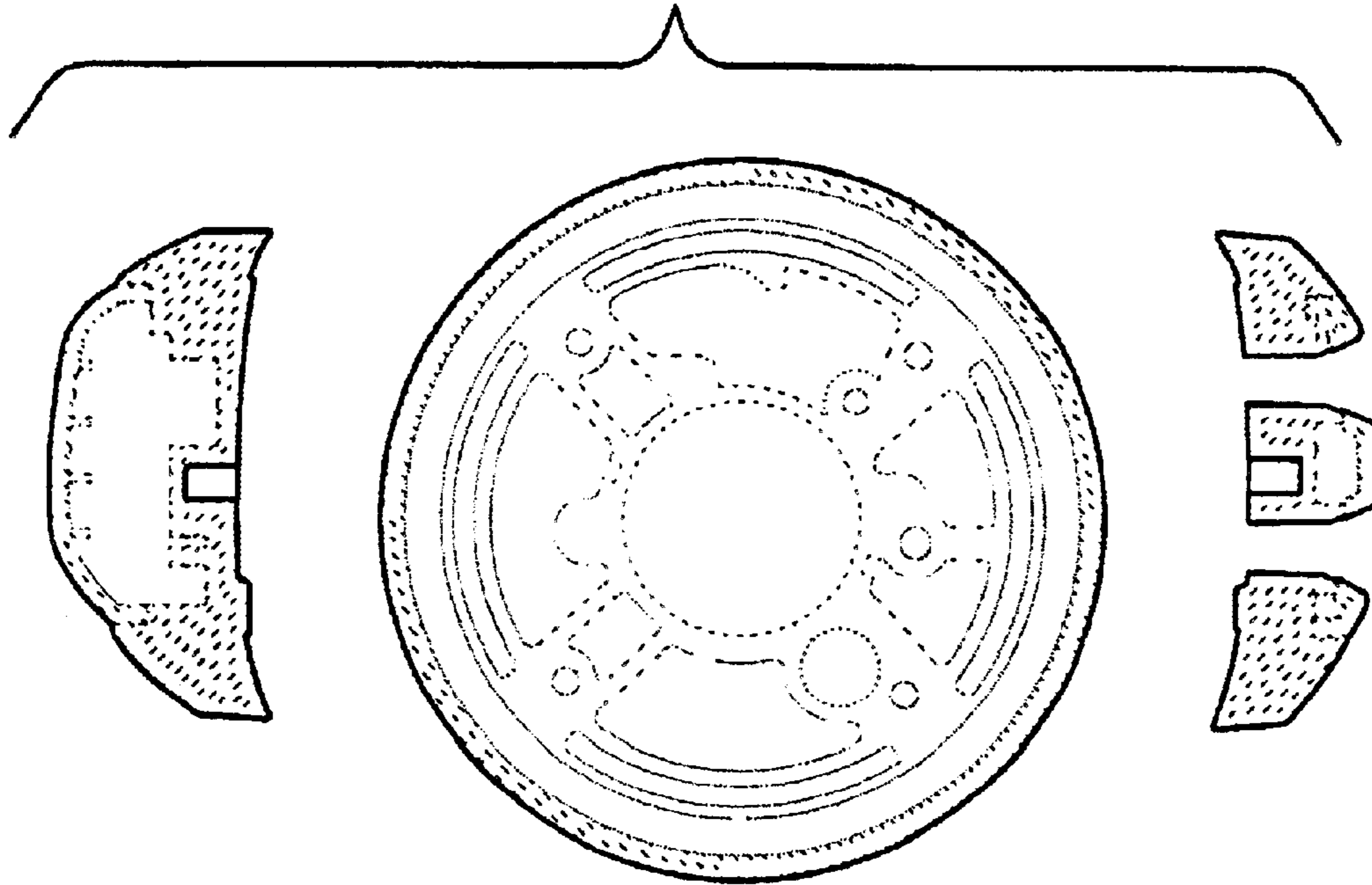


Figure 10

