



US00D505703S

(12) **United States Design Patent**
Fiskari

(10) **Patent No.:** **US D505,703 S**

(45) **Date of Patent:** **** May 31, 2005**

(54) **PUTTER HEAD**

(76) **Inventor:** **Harold Fiskari**, 119 Beechwood Drive,
RR2 Site 10, Parry Sound, Ontario
(CA), P2A 2W8

(**) **Term:** **14 Years**

(21) **Appl. No.:** **29/179,431**

(22) **Filed:** **Apr. 10, 2003**

(30) **Foreign Application Priority Data**

Oct. 30, 2002 (CA) 101070

(51) **LOC (7) Cl.** **21-02**

(52) **U.S. Cl.** **D21/743**

(58) **Field of Search** D21/736-746;
473/324-330, 251-256, 340, 341

(56) **References Cited**

U.S. PATENT DOCUMENTS

D297,964 S	*	10/1988	Shearer	D21/743
D334,959 S	*	4/1993	Iinuma et al.	D21/743
D337,804 S	*	7/1993	Sauber	D21/743
D385,320 S	*	10/1997	Schmidt	D21/742

OTHER PUBLICATIONS

Odyssey Putters, 2001.
Dynacraft, The Clubmaker's Component Company,
Golfquip Canadian Catalog 2002, pp. 23, 27 to 31, Golfquip,
Inc., Waterloo, Ontario, Canada.
Royal Canadian Golf Association, Putters, Golf Canada,
Apr. 2002, pp. 113 and 114, Relevant Communications, Inc.
Toronto, Ontario, Canada.
Ping Putter Advertising, 2002.

* cited by examiner

Primary Examiner—Mitchell Siegel

(57) **CLAIM**

The ornamental design for a putter head, as shown and
described.

DESCRIPTION

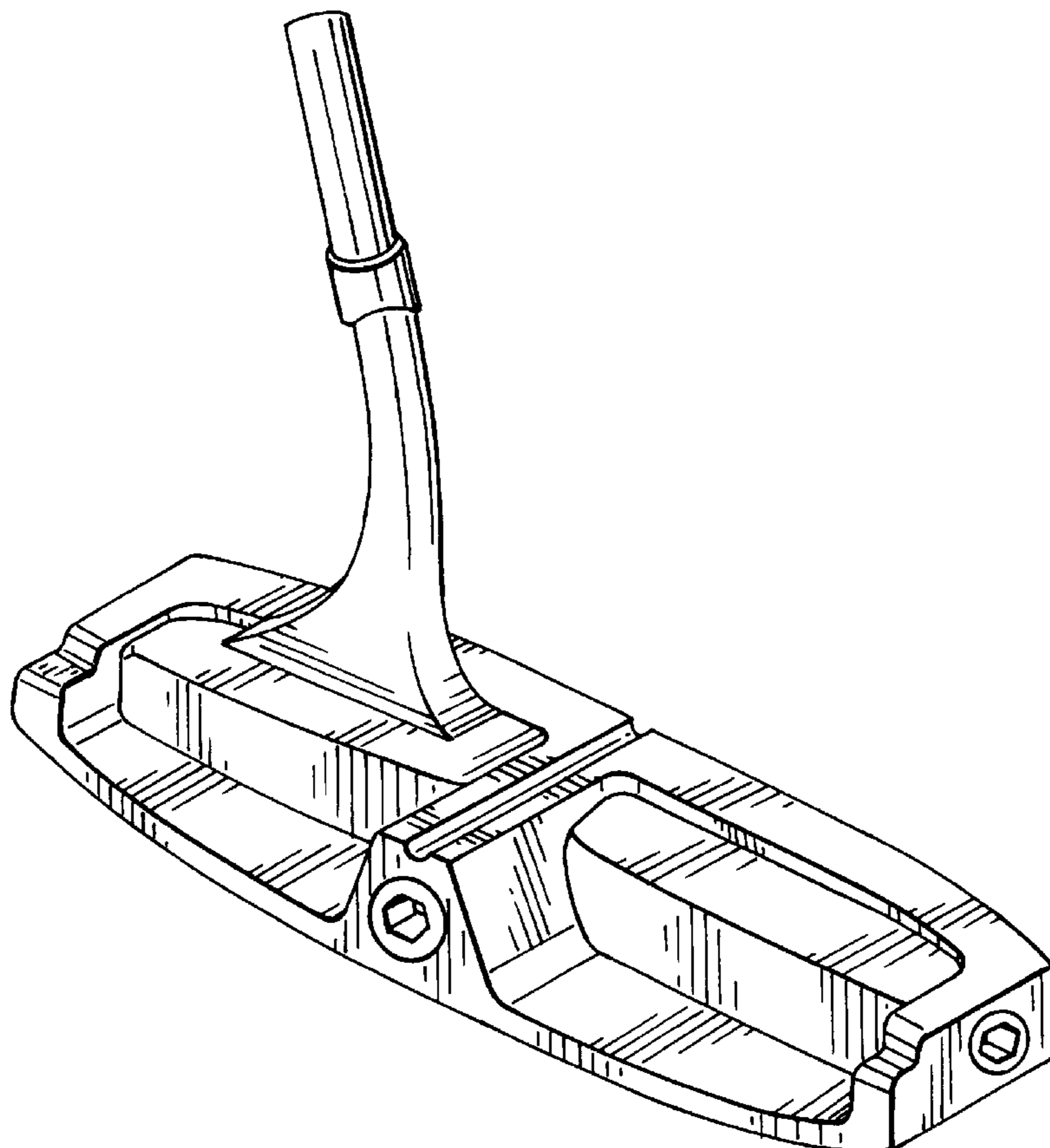
FIG. 1 is a perspective view of the putter head showing my
new design;

FIG. 2 is a top plan view thereof;

FIG. 3 is a side elevation view thereof; and,

FIG. 4 is an end elevation view thereof.

1 Claim, 2 Drawing Sheets



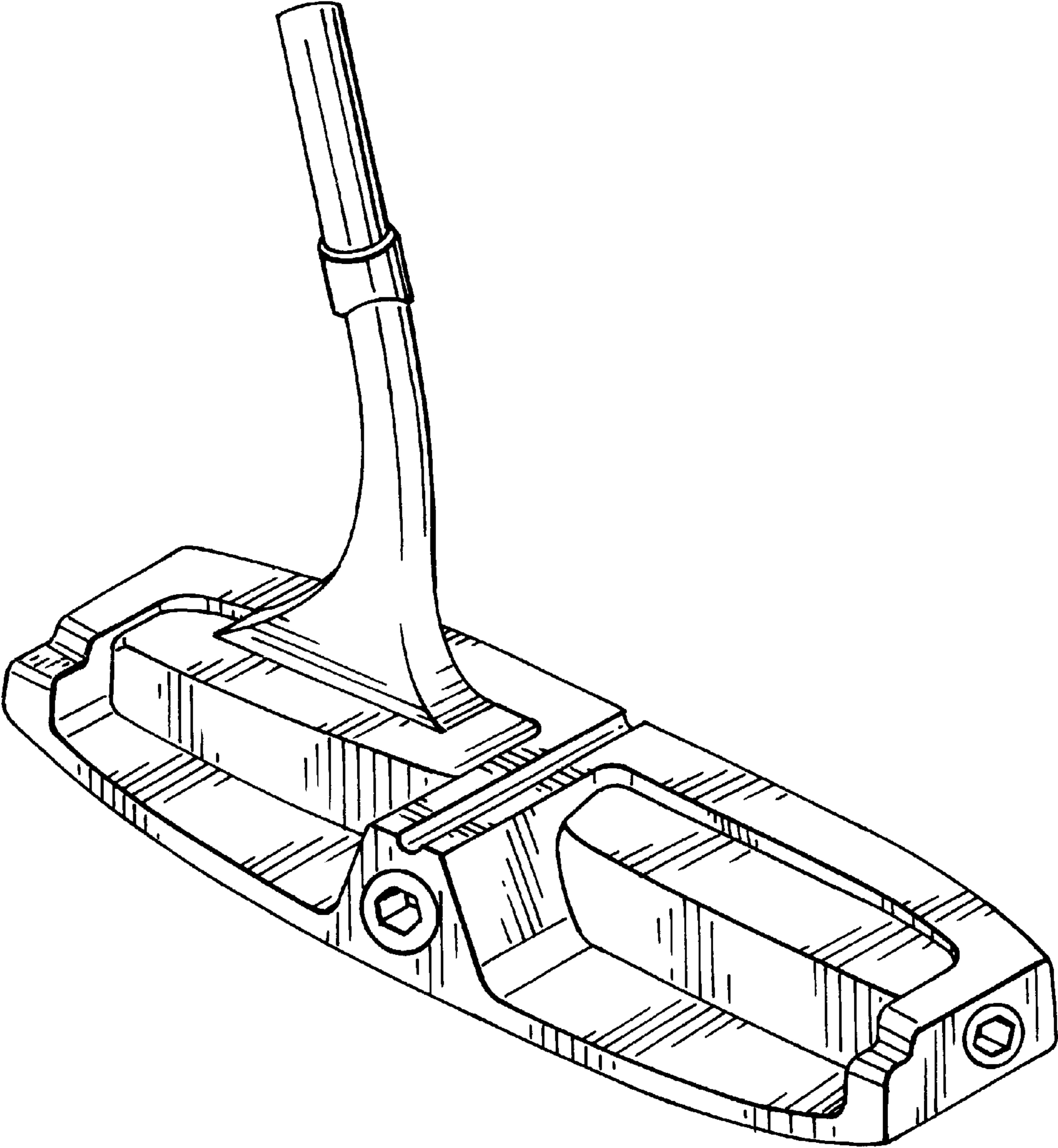


FIG. 1

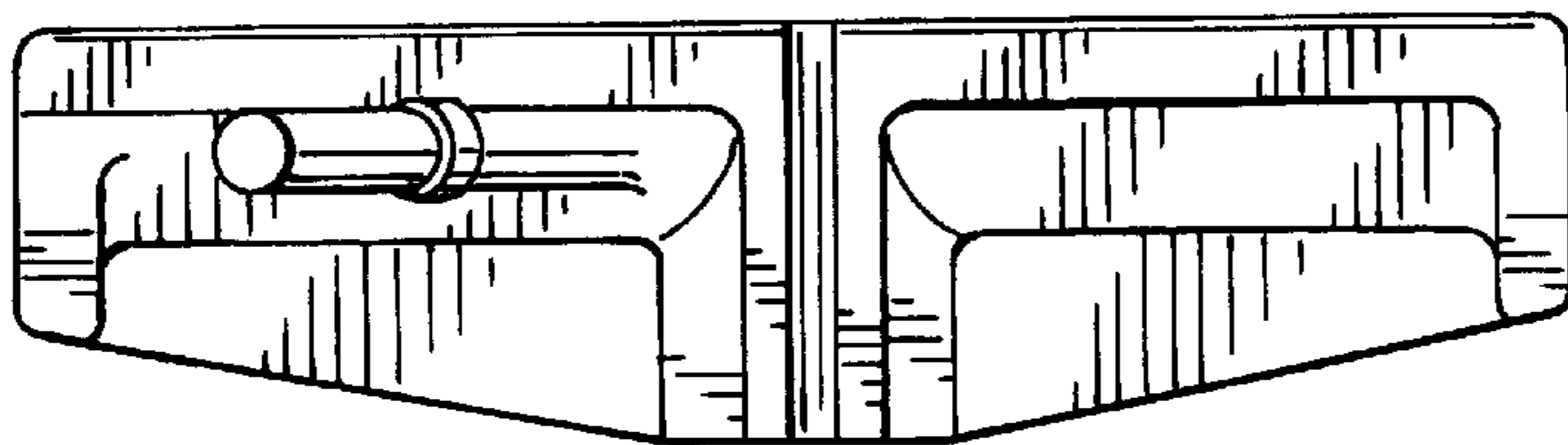


FIG. 2

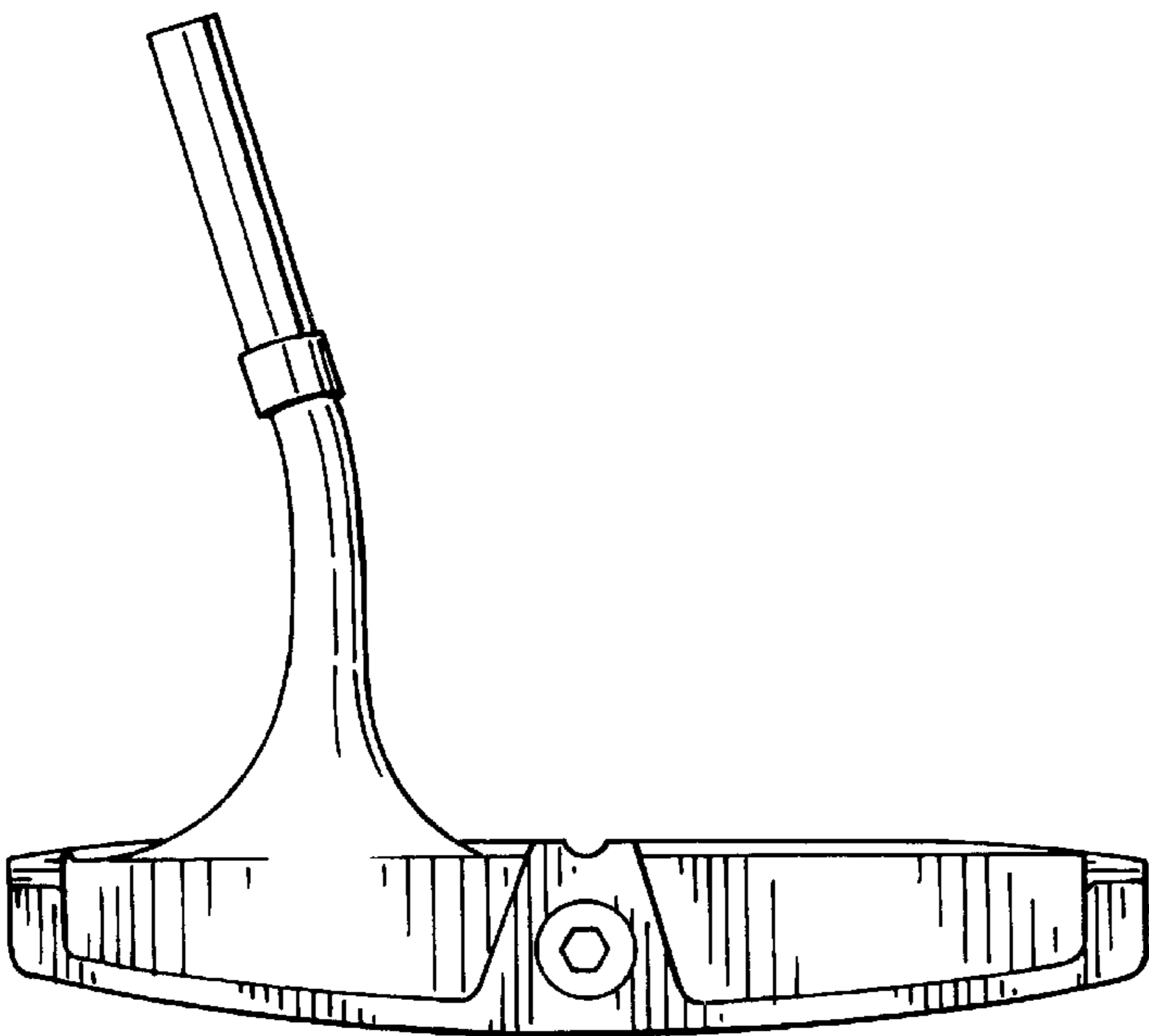


FIG. 3

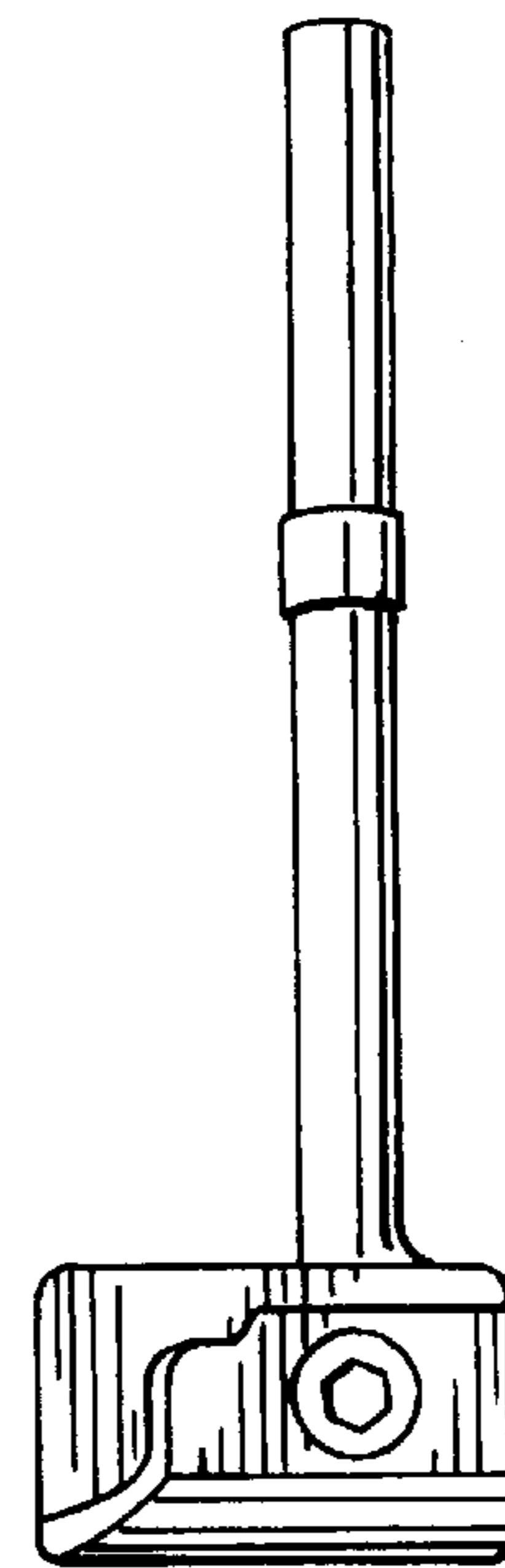


FIG. 4