

US00D505696S

(12) **United States Design Patent**
Bushey

(10) **Patent No.:** **US D505,696 S**

(45) **Date of Patent:** **** May 31, 2005**

(54) **POSTER BOARD CORNER**

6,422,797 B2 * 7/2002 Pas 412/33
6,467,742 B1 * 10/2002 Pitcher 248/205.3

(76) **Inventor:** **Richard D. Bushey**, 1596 39th Ave.,
Kenosha, WI (US) 53140

* cited by examiner

(**) **Term:** **14 Years**

Primary Examiner—Joel A. Sincavage
Assistant Examiner—Elizabeth Albert

(21) **Appl. No.:** **29/187,709**

(74) *Attorney, Agent, or Firm*—Boyle Fredrickson
Newholm Stein & Gratz S.C.

(22) **Filed:** **Aug. 6, 2003**

(57) **CLAIM**

(51) **LOC (7) Cl.** **19-01**

The ornamental design for a poster board corner, as shown
and described.

(52) **U.S. Cl.** **D19/1; D20/43**

(58) **Field of Search** D6/300, 301, 302;
D19/1, 26, 32; D20/43, 44; 24/67 CF; 40/642.02,
666, 754, 758, 759, 778, 779, 786; 150/154;
206/451, 452, 453; 248/316.7, 468, 488;
281/15.1, 20, 21.1, 28, 37, 38, 42, 45, 51;
462/71

DESCRIPTION

(56) **References Cited**

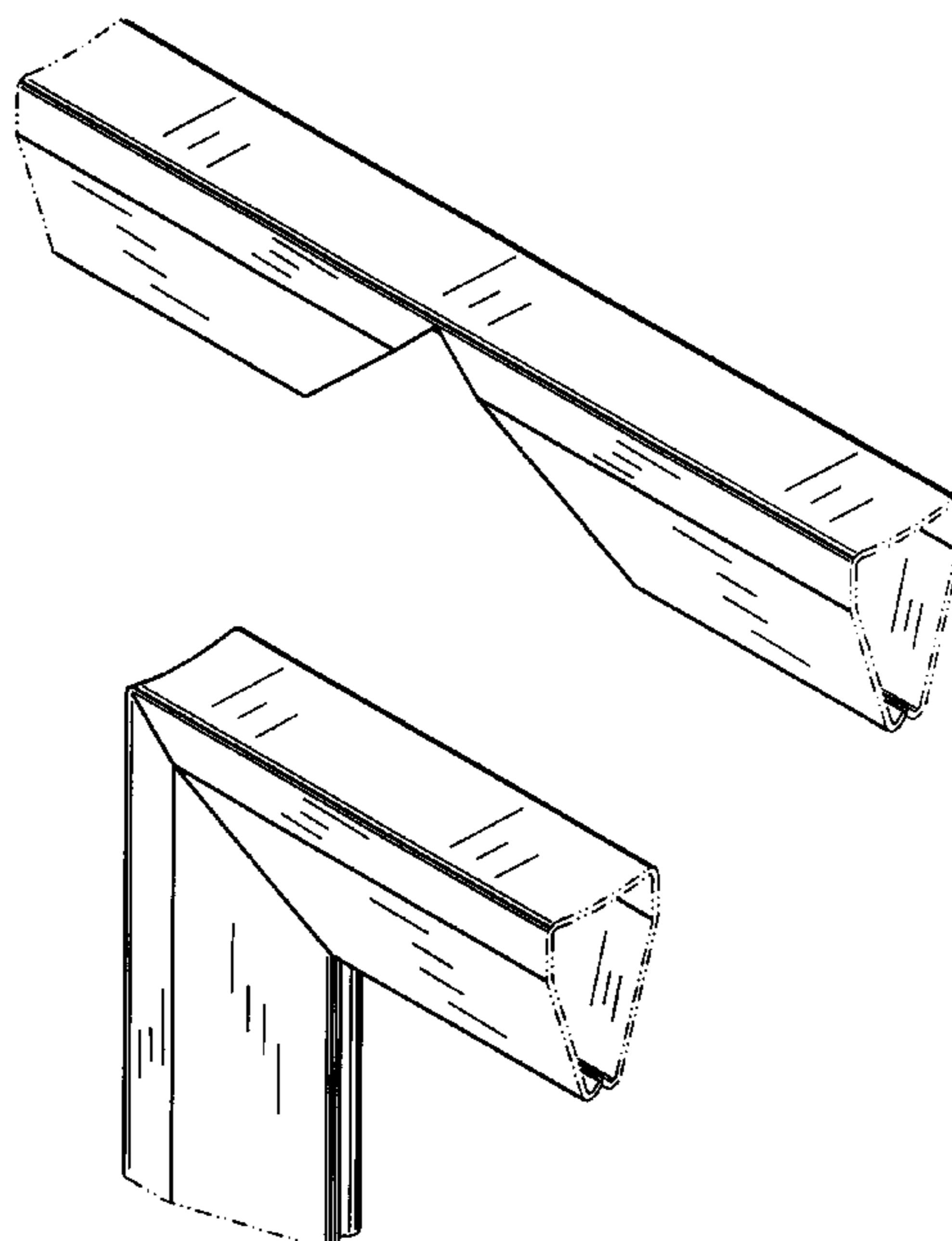
U.S. PATENT DOCUMENTS

133,707	A	*	12/1872	Hutchinson	40/779
668,615	A	*	2/1901	Benham	40/701
768,313	A	*	8/1904	Scherf	281/20
1,232,747	A	*	7/1917	Yochim	40/360
1,773,742	A		8/1930	Milton		
1,910,781	A	*	5/1933	Way	206/451
2,521,603	A	*	9/1950	Prew	40/712
3,684,636	A	*	8/1972	Rothrock, Jr. et al.	206/326
3,802,105	A	*	4/1974	Bendix	40/785
4,176,480	A	*	12/1979	Euzarraga et al.	40/780
4,493,495	A	*	1/1985	Linn	281/45
4,575,123	A	*	3/1986	Giblin et al.	281/48
5,199,681	A	*	4/1993	Reidy	248/488
5,390,889	A	*	2/1995	Hiscock	248/488
5,533,758	A		7/1996	Lee		
5,865,469	A	*	2/1999	Chin	281/45
D424,120	S	*	5/2000	Wear	D20/43
6,270,120	B1	*	8/2001	Ong	281/15.1

FIG. 1 is an isometric view of a poster board corner in accordance with the present invention;
FIG. 2 is a side elevational view of the poster board corner of FIG. 1;
FIG. 3 is an end view of the poster board corner of the present invention taken along line 3—3 of FIG. 2;
FIG. 4 is a top plan view of the poster board corner of FIG. 2;
FIG. 5 is a bottom plan view of the poster board corner of FIG. 1;
FIG. 6 shows an alternate configuration of the poster board corner of FIG. 1;
FIG. 7 is a side elevational view of the poster board corner of FIG. 6;
FIG. 8 is an end view of the poster board corner of the present invention taken along line 8—8 of FIG. 7; and,
FIG. 9 is a top plan view of the poster board corner of FIG. 6.

The broken lines showing environment in the drawings are for illustrative purposes only and form no part of the claimed design.

1 Claim, 2 Drawing Sheets



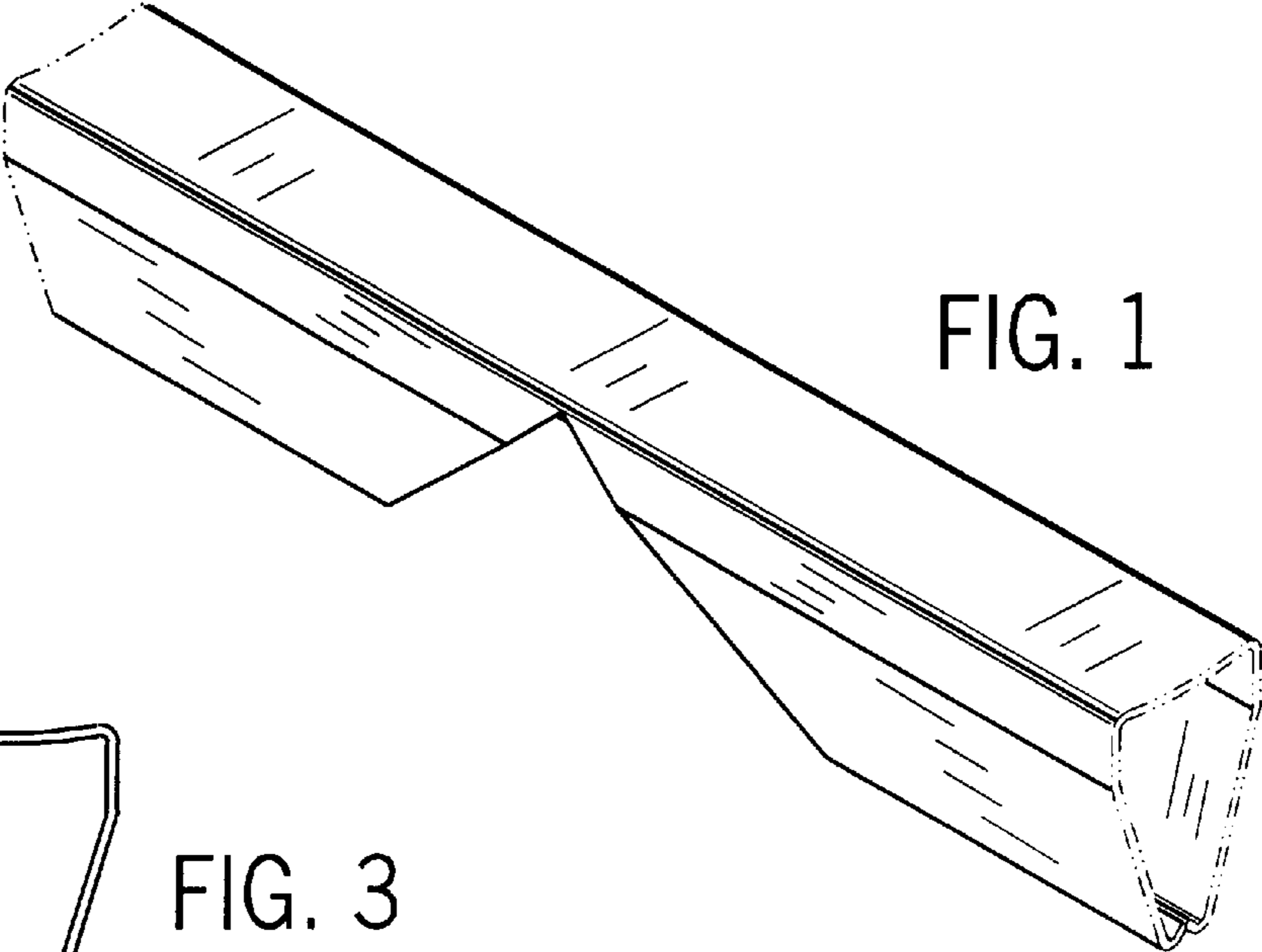


FIG. 1

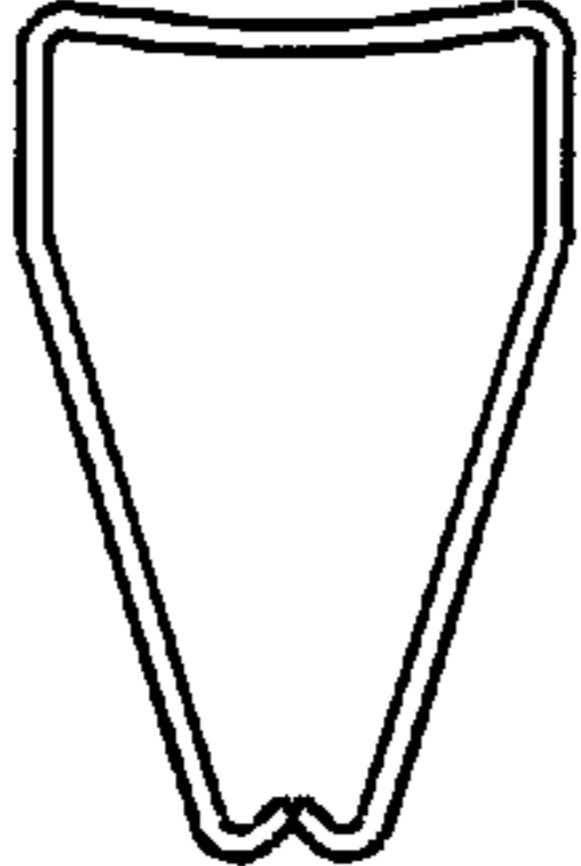


FIG. 3

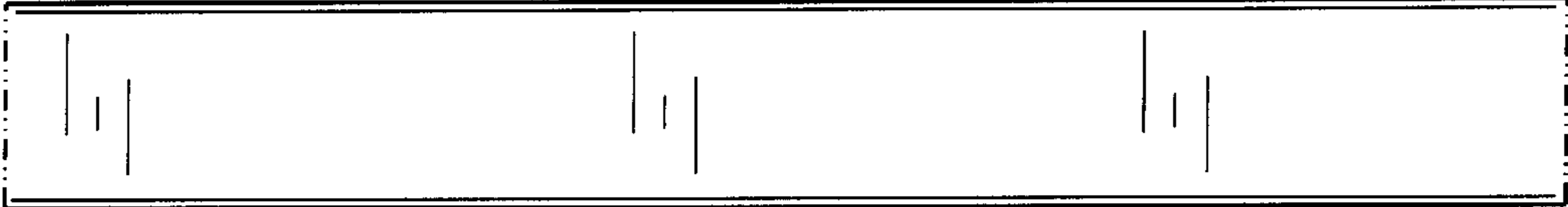


FIG. 4

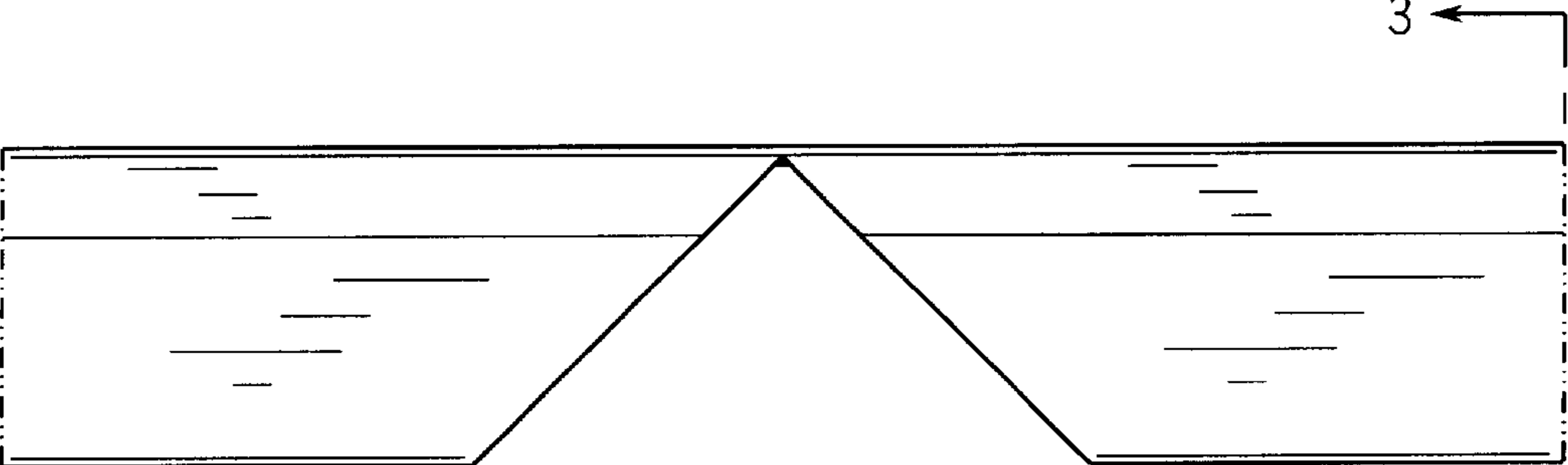


FIG. 2

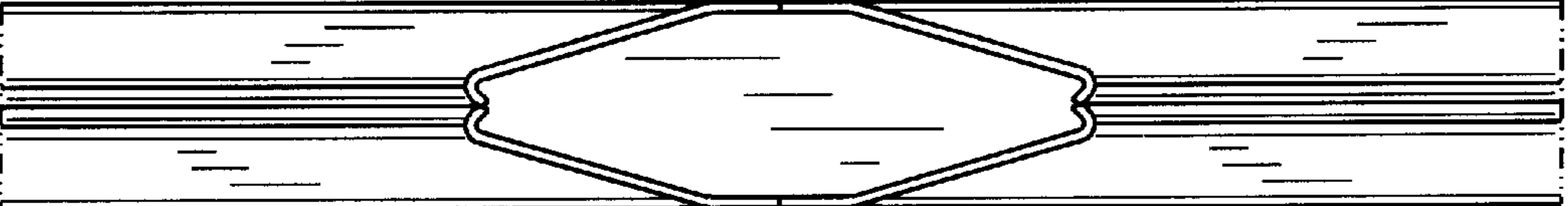
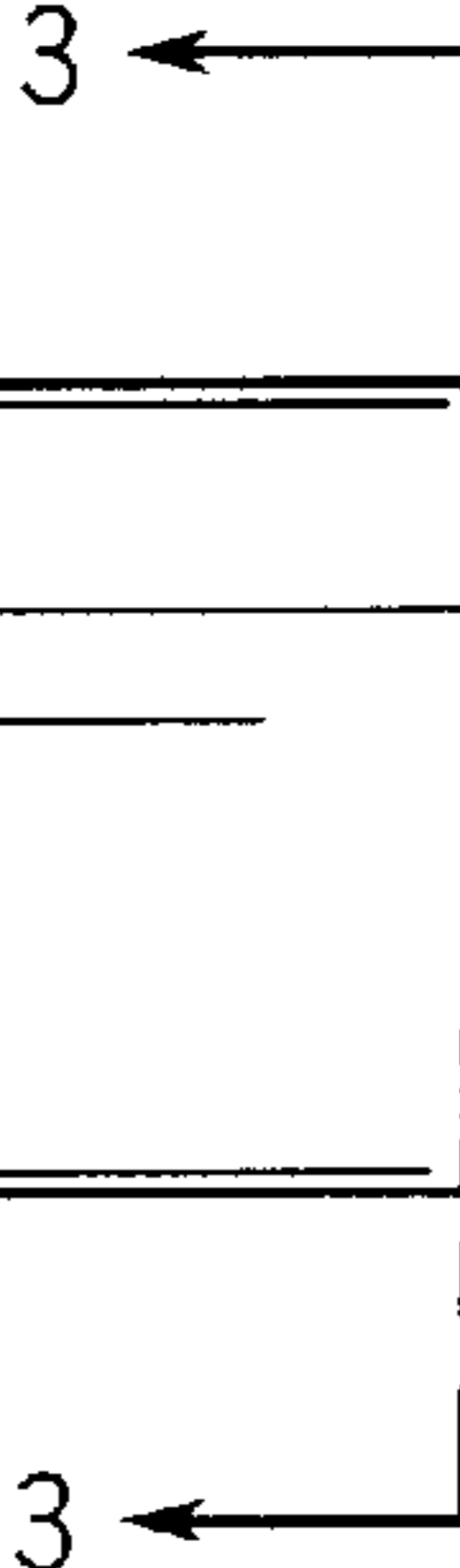


FIG. 5

FIG. 6

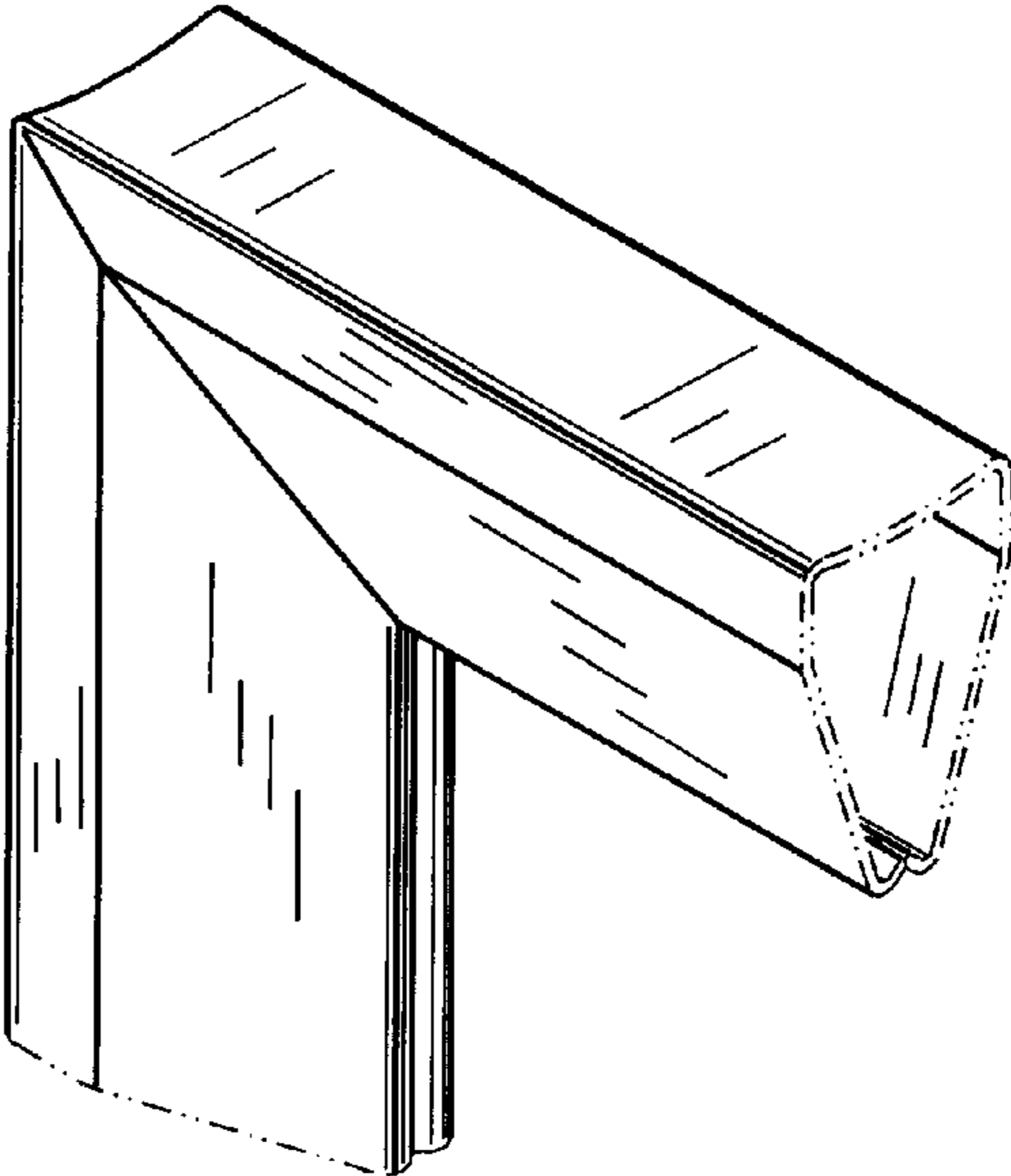


FIG. 9

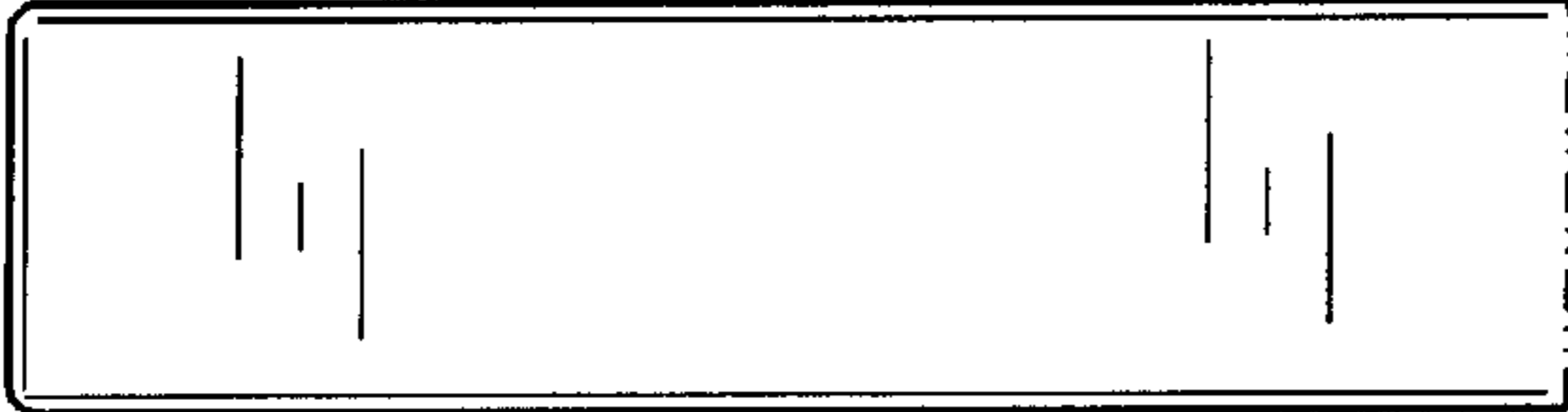


FIG. 7

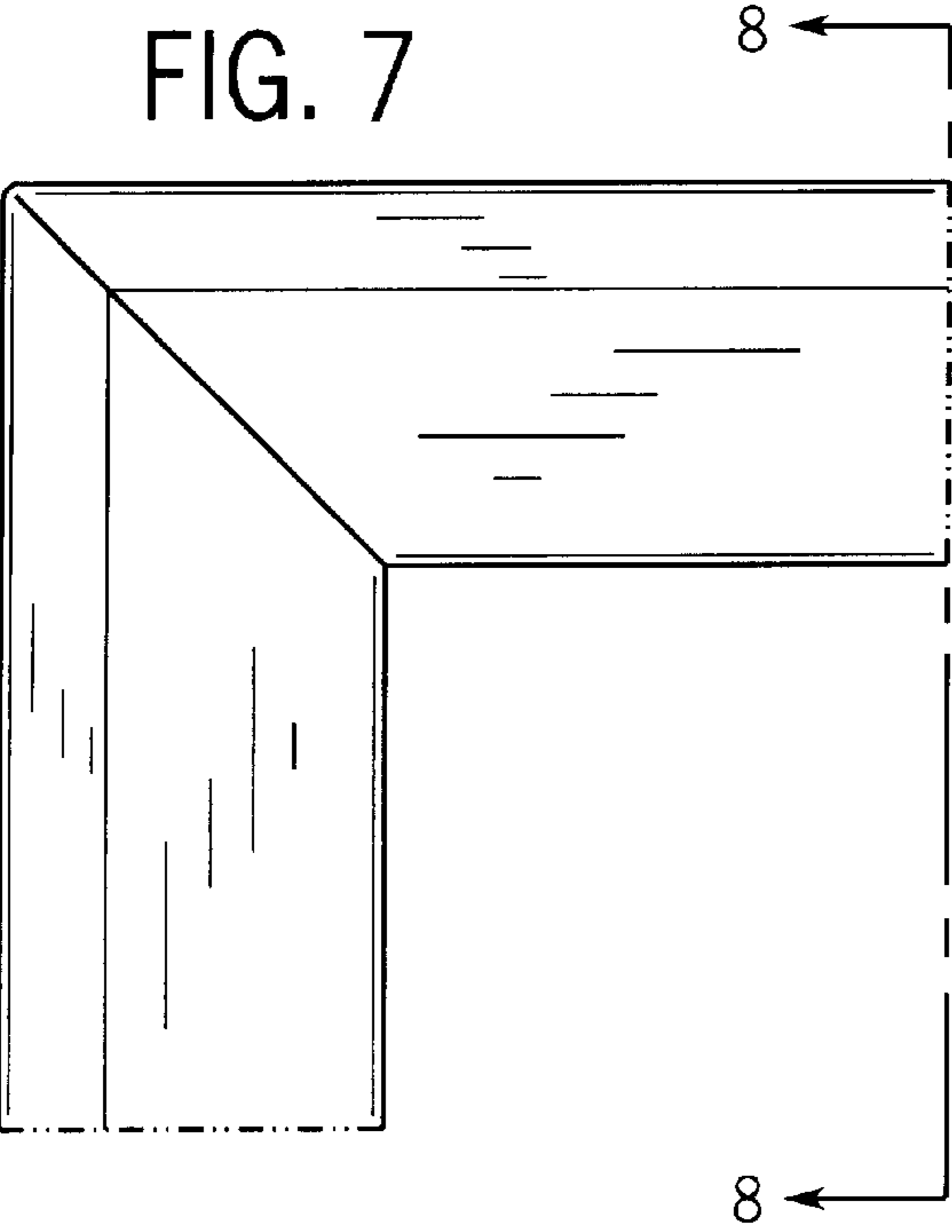


FIG. 8

