

US00D505693S

(12) **United States Design Patent**
Kurosawa

(10) **Patent No.:** **US D505,693 S**
(45) **Date of Patent:** **** May 31, 2005**

(54) **HOPPER**

(75) **Inventor:** **Motoharu Kurosawa, Iwatsuki (JP)**

(73) **Assignee:** **Asahi Seiko Kabushiki Kaisha, Tokyo (JP)**

(**) **Term:** **14 Years**

(21) **Appl. No.:** **29/193,981**

(22) **Filed:** **Nov. 17, 2003**

(30) **Foreign Application Priority Data**

Jun. 30, 2003 (JP) 2003-018759

(51) **LOC (7) Cl.** **18-01**

(52) **U.S. Cl.** **D18/3.1; D99/34**

(58) **Field of Search** **D18/3.1, 12.1, D18/12.2, 12.3; D99/34, 35, 36, 37; 453/2, 3, 4, 9, 12, 13, 14, 15, 17, 30, 32, 34, 41, 44, 56-58, 61; 194/317, 334; 221/92; 232/4 R**

(56) **References Cited**

U.S. PATENT DOCUMENTS

3,942,544 A * 3/1976 Breitenstein et al. 453/17
4,589,433 A * 5/1986 Abe 453/57
5,098,339 A * 3/1992 Dabrowski 453/30
5,190,495 A * 3/1993 Taxon 453/32
D359,152 S * 6/1995 Adams et al. D18/3.1

5,501,632 A * 3/1996 Adams et al. 453/3
5,924,919 A * 7/1999 Hirano 453/57
6,030,284 A * 2/2000 Frank 453/3
6,179,704 B1 1/2001 Suzuki
6,193,598 B1 * 2/2001 Tsuchida 453/57
6,328,646 B1 12/2001 Abe et al.
6,558,245 B2 5/2003 Abe et al.
6,602,125 B2 * 8/2003 Martin 453/12
6,609,966 B1 * 8/2003 Kurosawa et al. 453/57
D481,519 S * 10/2003 Lee D99/34
6,656,033 B2 12/2003 Abe et al.
6,743,087 B2 6/2004 Abe et al.
6,761,627 B2 7/2004 Abe et al.

* cited by examiner

Primary Examiner—Paula A. Greene

(57) **CLAIM**

The ornamental design for the hopper, as shown and described.

DESCRIPTION

FIG. 1 is a front view of the hopper of the present invention; FIG. 2 is a rear view of the hopper; FIG. 3 is a left side view of the hopper; FIG. 4 is a right side view of the hopper; FIG. 5 is a plan view of the hopper; FIG. 6 is a bottom view of the hopper; and, FIG. 7 is a perspective view of the hopper.

1 Claim, 7 Drawing Sheets

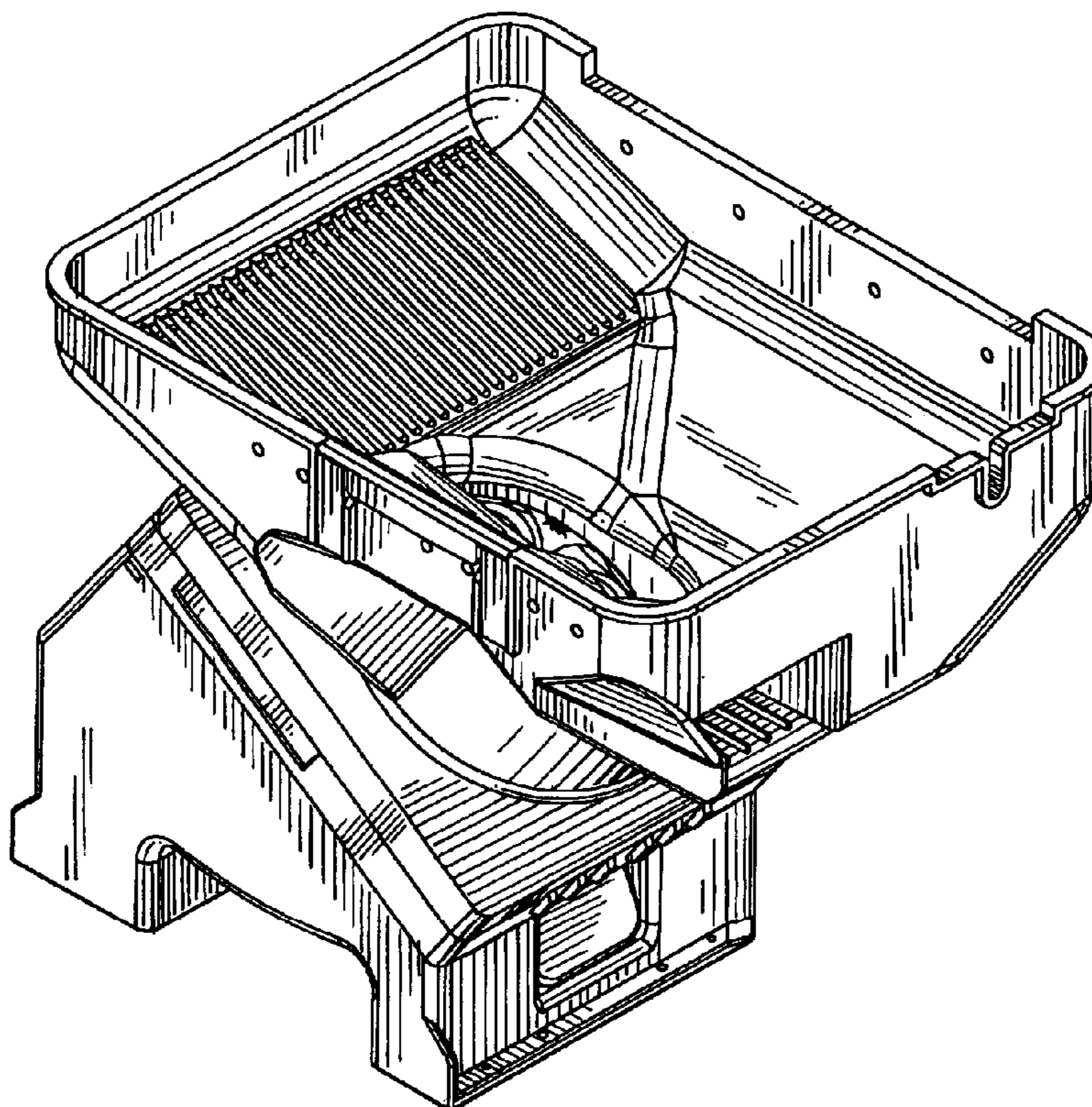


FIG. 1

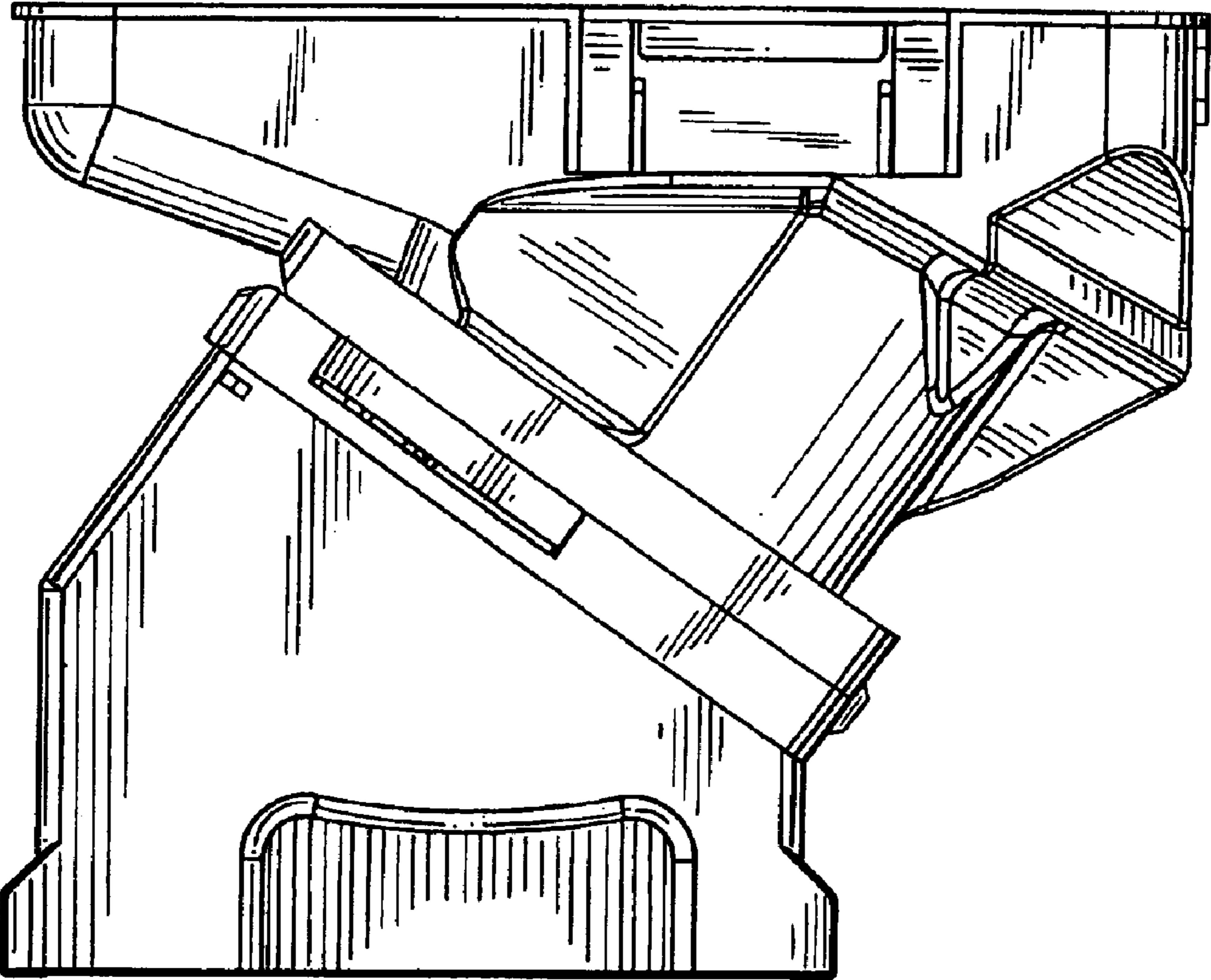


FIG. 2

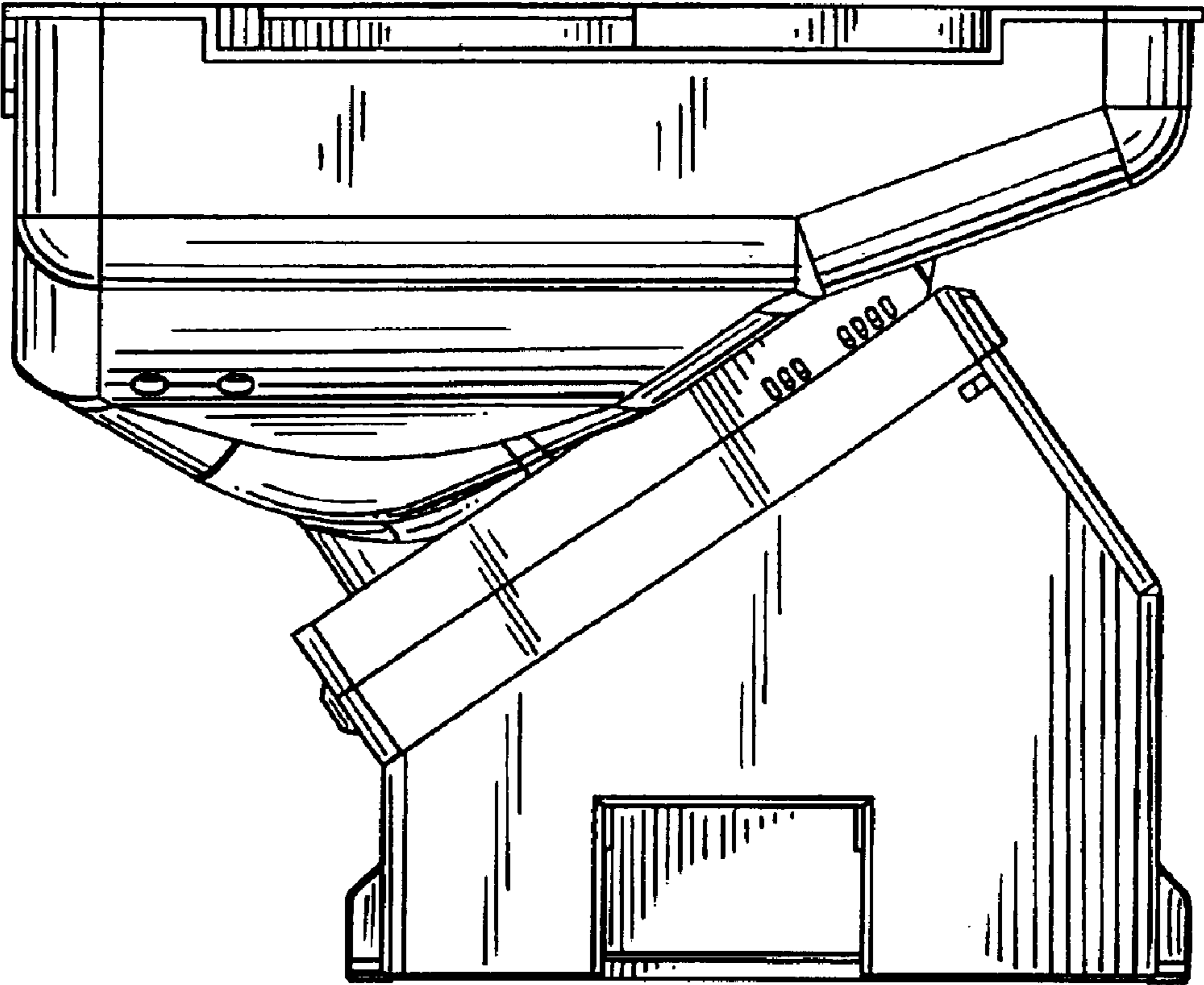


FIG. 3

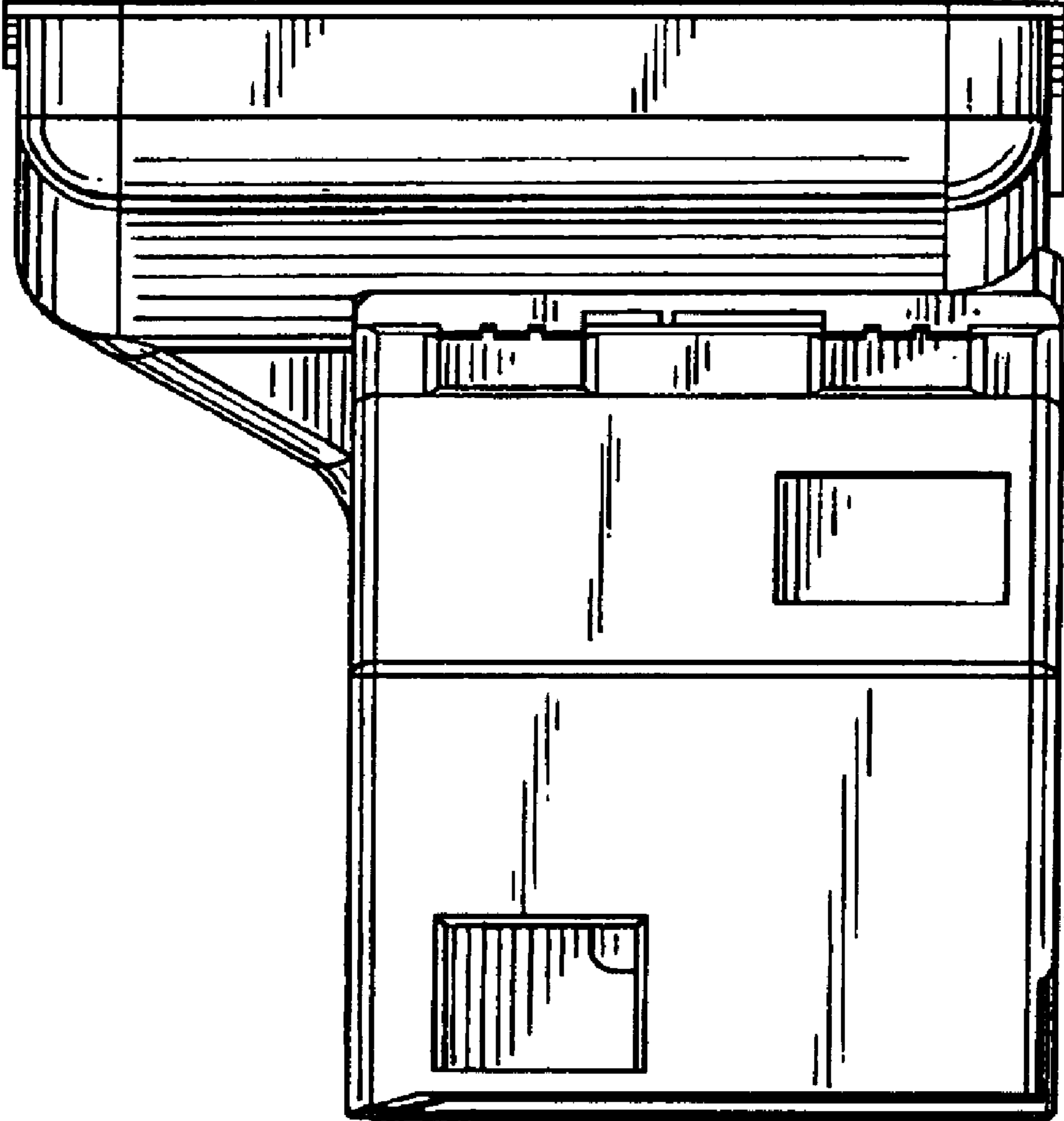


FIG. 4

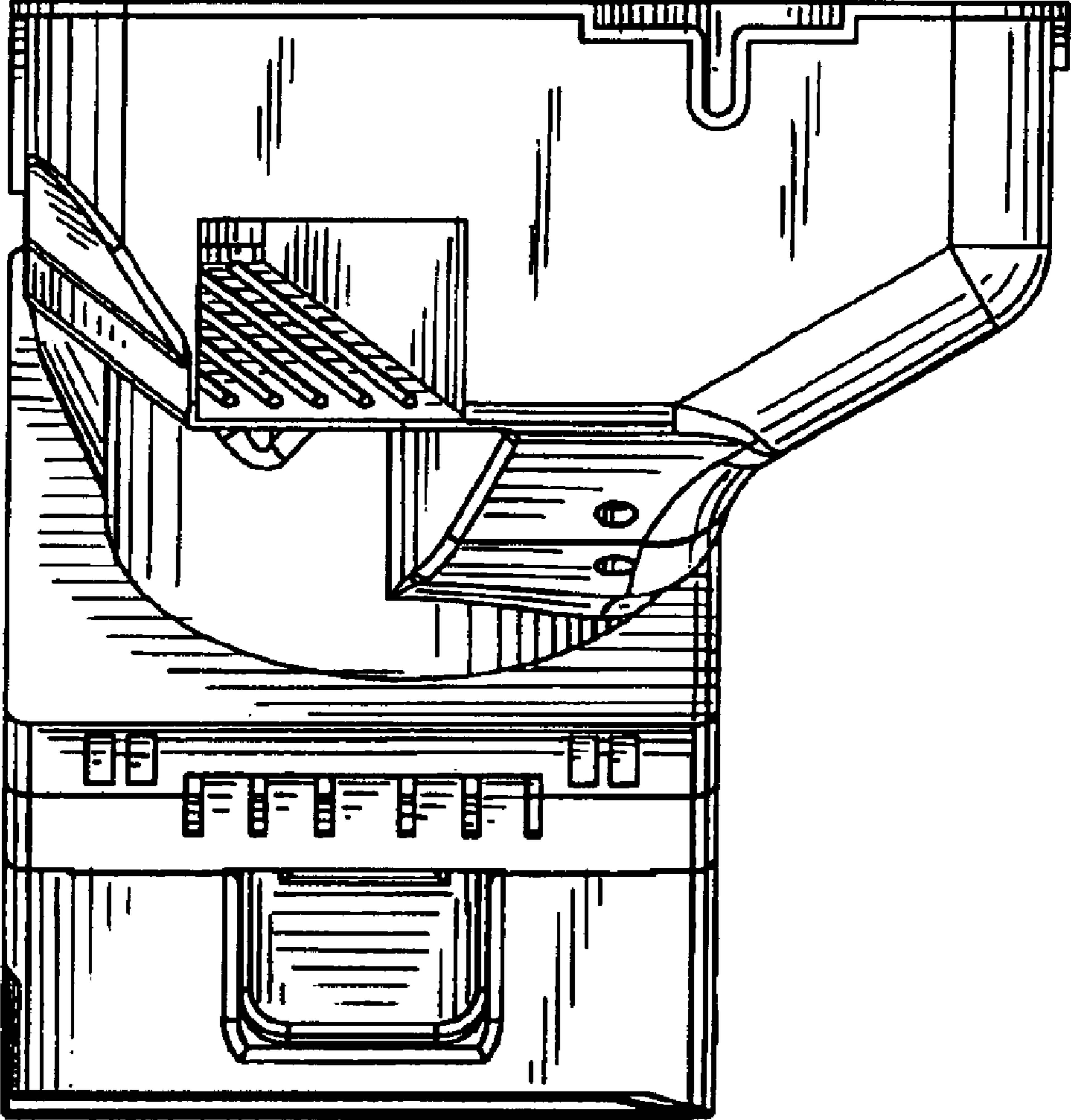


FIG. 5

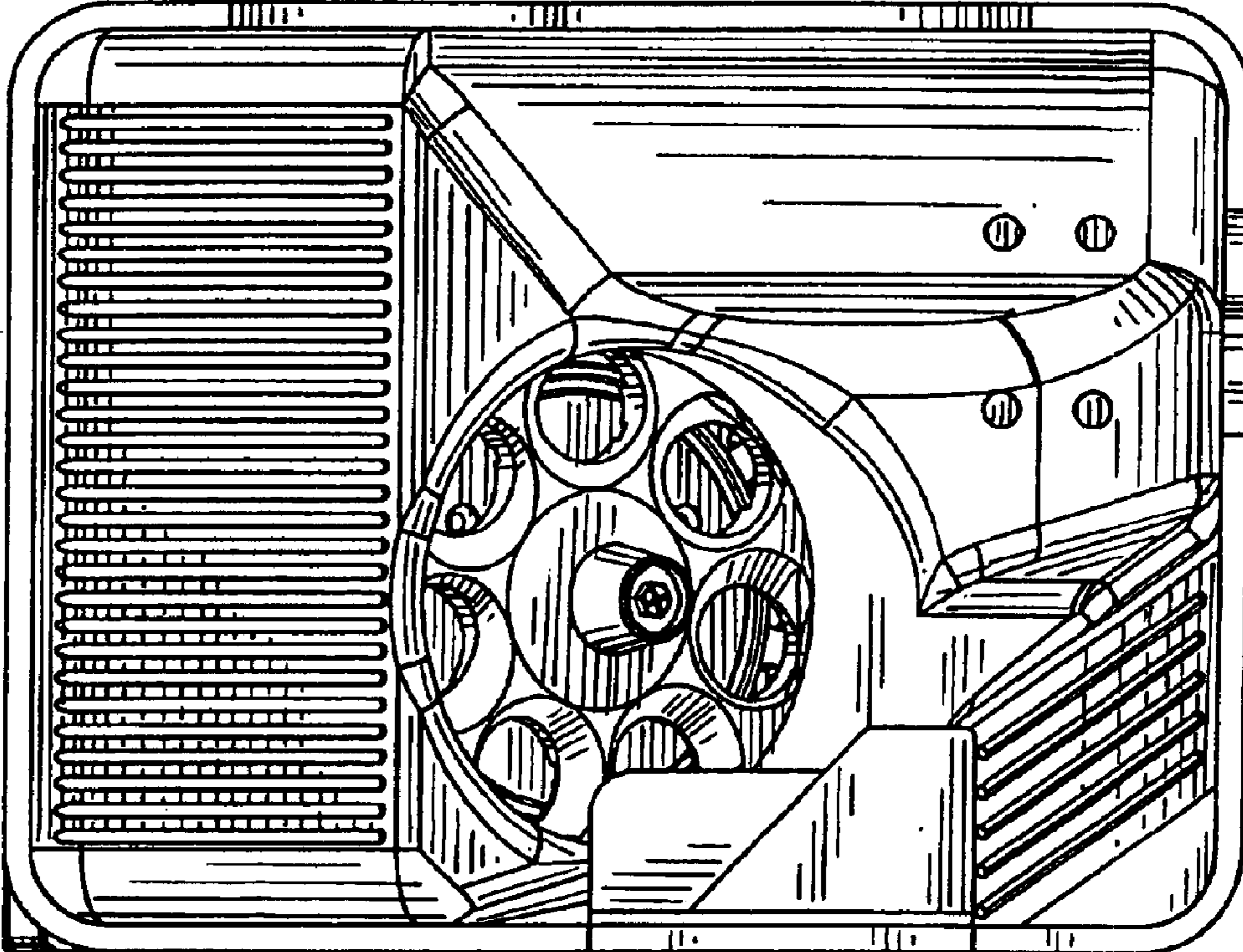


FIG. 6

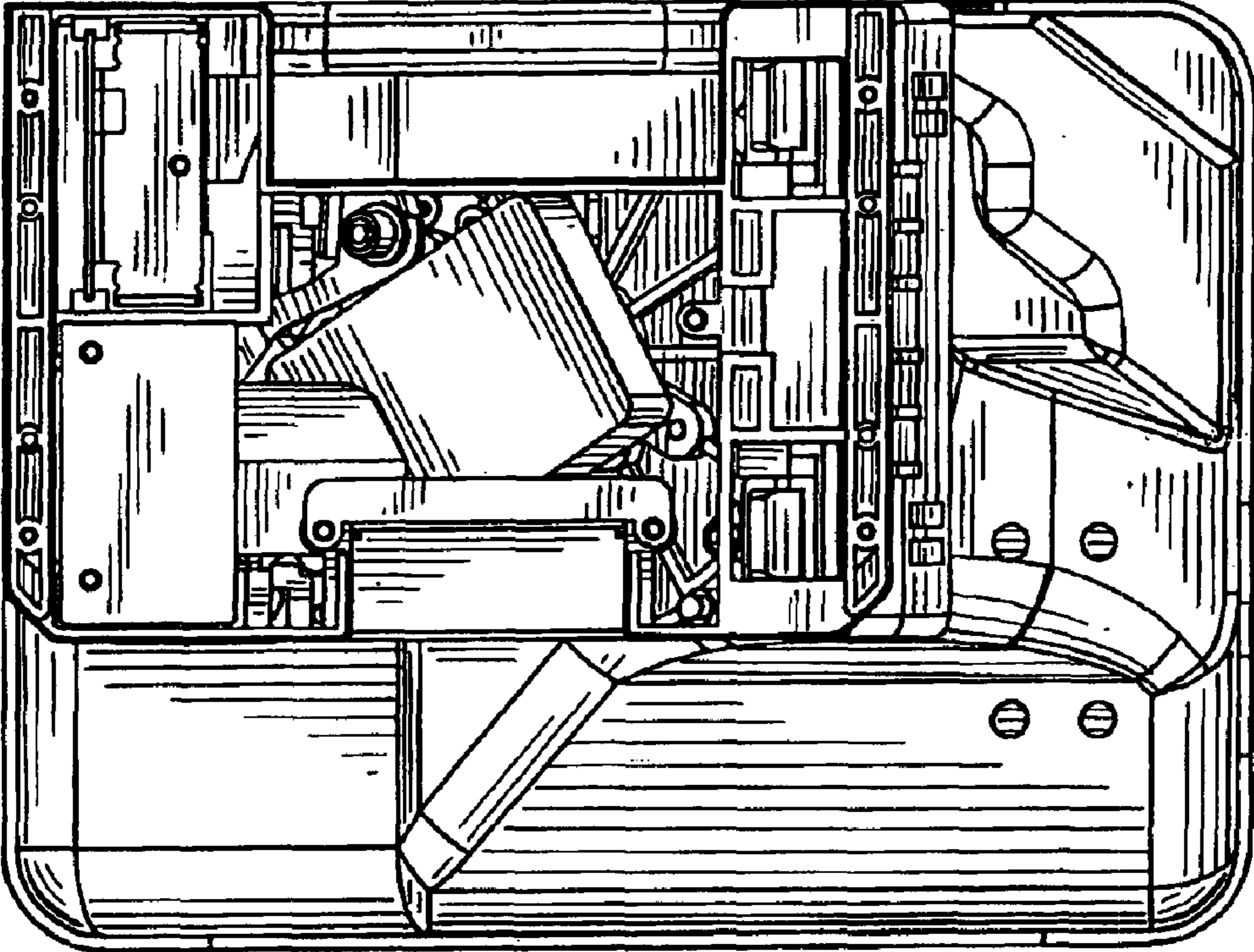


FIG. 7

