

US00D505692S

(12) **United States Design Patent**
Lee

(10) **Patent No.:** **US D505,692 S**
(45) **Date of Patent:** **** May 31, 2005**

- (54) **PRACTICE MUTE FOR A BRASS INSTRUMENT**
- (76) Inventor: **Edward Mitchell Lee**, 831 19th Ave. South, Seattle, WA (US) 98144
- (**) Term: **14 Years**
- (21) Appl. No.: **29/207,896**
- (22) Filed: **Jun. 18, 2004**

1,409,860 A	*	3/1922	Humes	84/400
D71,847 S	*	1/1927	Magosy	D11/99
1,644,272 A	*	10/1927	Pinard	84/400
2,574,591 A	*	11/1951	Rudd	84/723
4,003,555 A	*	1/1977	Swartz	366/130
D258,215 S	*	2/1981	Berg	D17/13
4,273,021 A	*	6/1981	Mackie	84/400
D386,197 S	*	11/1997	Hamanaga	D17/13
D386,198 S	*	11/1997	Hamanaga	D17/13
5,973,246 A	*	10/1999	Hamanaga et al.	84/400

Related U.S. Application Data

- (63) Continuation of application No. 10/210,804, filed on Aug. 1, 2002.
- (51) **LOC (7) Cl.** **17-02**
- (52) **U.S. Cl.** **D17/13**
- (58) **Field of Search** D17/10-11, 13, D17/99; 84/400, 453; D7/300.1, 392.1; 366/130; 220/550, 568; 215/DIG. 8

(56) **References Cited**

U.S. PATENT DOCUMENTS

282,449 A * 7/1883 Ditterline 174/3

* cited by examiner

Primary Examiner—Ruth McInroy

(74) *Attorney, Agent, or Firm*—James L Davison

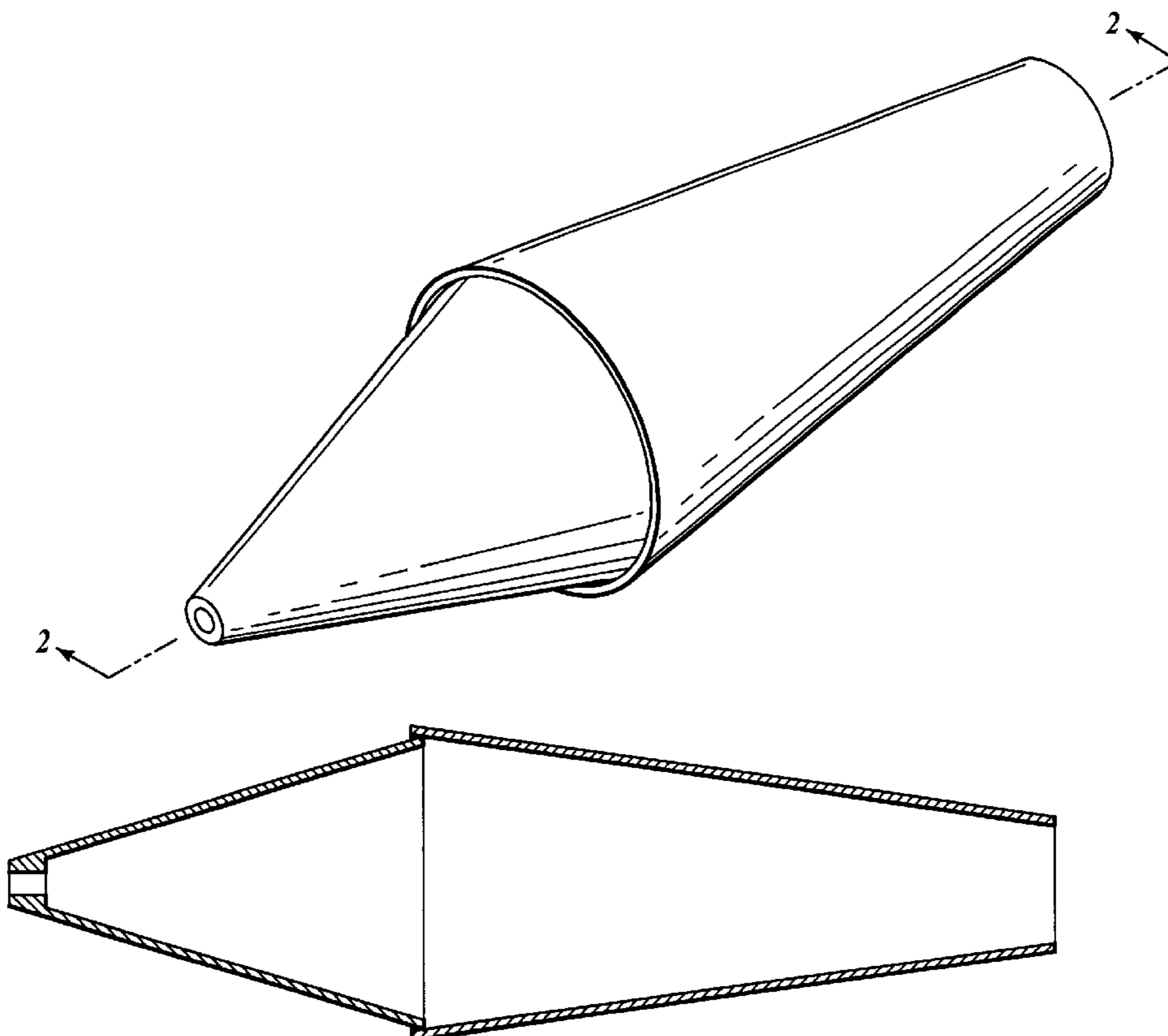
(57) **CLAIM**

The ornamental design for a practice mute for a brass instrument, as shown.

DESCRIPTION

FIG. 1 is a upper right-side perspective view of a practice mute for a brass instrument showing my new design; and, FIG. 2 is a sectional view taken along line 2—2 in FIG. 1.

1 Claim, 1 Drawing Sheet



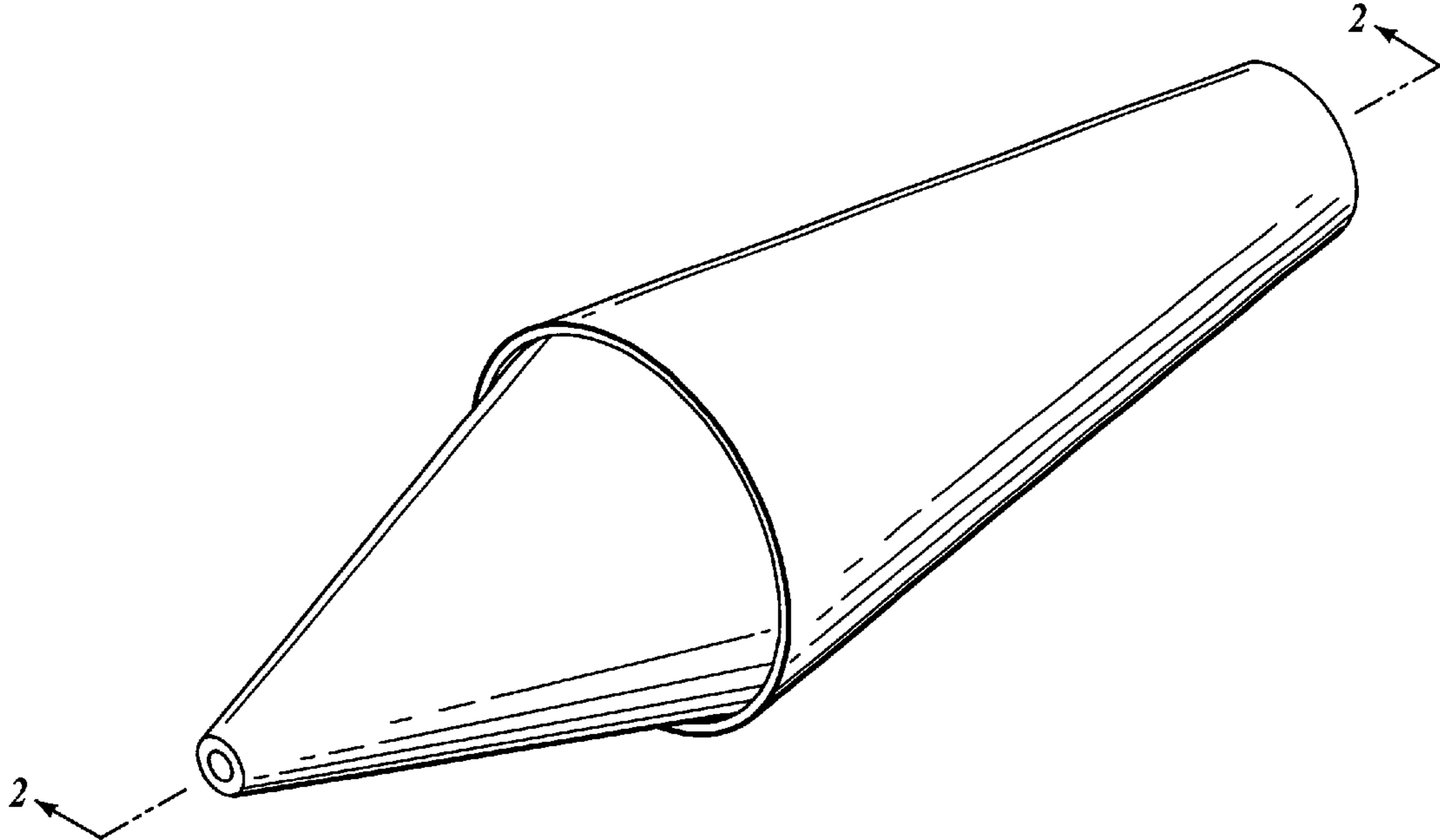


Fig. 1

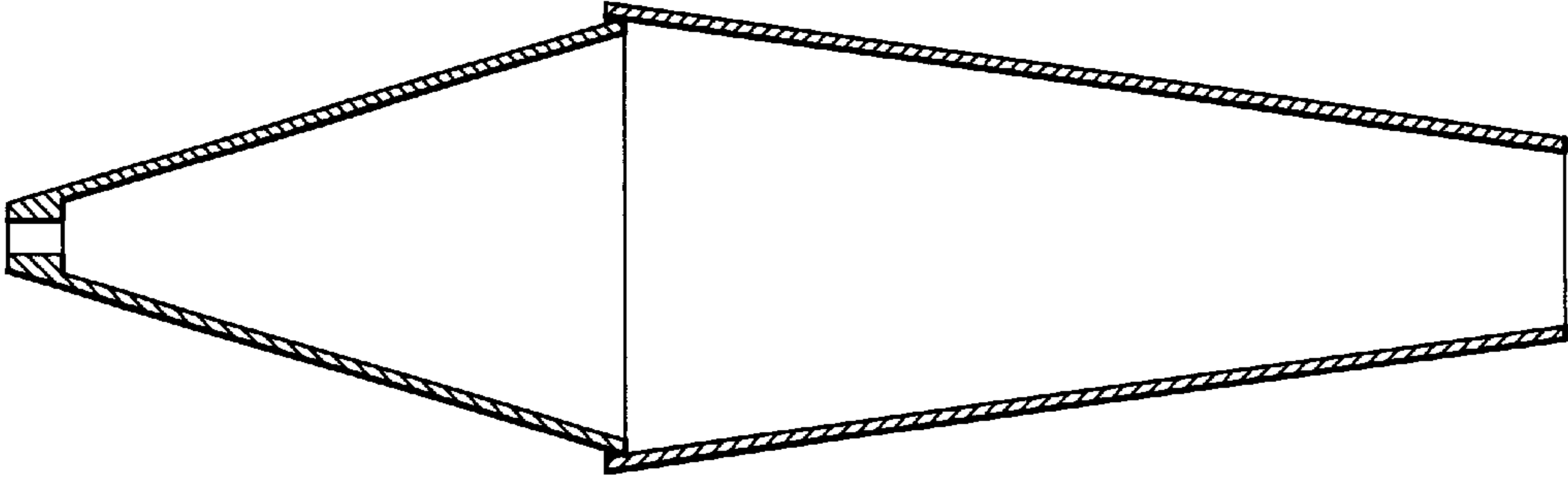


Fig. 2