

US00D505687S

(12) **United States Design Patent**
Asai

(10) **Patent No.:** **US D505,687 S**
(45) **Date of Patent:** **** May 31, 2005**

(54) **SURVEILLANCE TELEVISION CAMERA**

D477,345 S * 7/2003 Hildreth D16/203

(75) **Inventor:** **Yoshihiko Asai, Tokyo (JP)**

FOREIGN PATENT DOCUMENTS

(73) **Assignee:** **Matsushita Electric Industrial Co., Ltd., Osaka (JP)**

JP	D1078670	7/2000
JP	D1078671	7/2000
JP	D1078676	7/2000
JP	D1173412	5/2003

(**) **Term:** **14 Years**

* cited by examiner

(21) **Appl. No.:** **29/206,723**

Primary Examiner—Adir Aronovich

(22) **Filed:** **Jun. 2, 2004**

(74) *Attorney, Agent, or Firm*—Brinks Hofer Gilson & Lione

(30) **Foreign Application Priority Data**

Dec. 5, 2003 (JP) 2003-036195

(51) **LOC (7) Cl.** **16-05**

(52) **U.S. Cl.** **D16/219**

(58) **Field of Search** D10/104, 106;
D16/200–204, 218, 219; 348/143, 151,
373–376; 396/427, 535, 536–541

(57) **CLAIM**

The ornamental design for a surveillance television camera, as shown and described.

(56) **References Cited**

DESCRIPTION

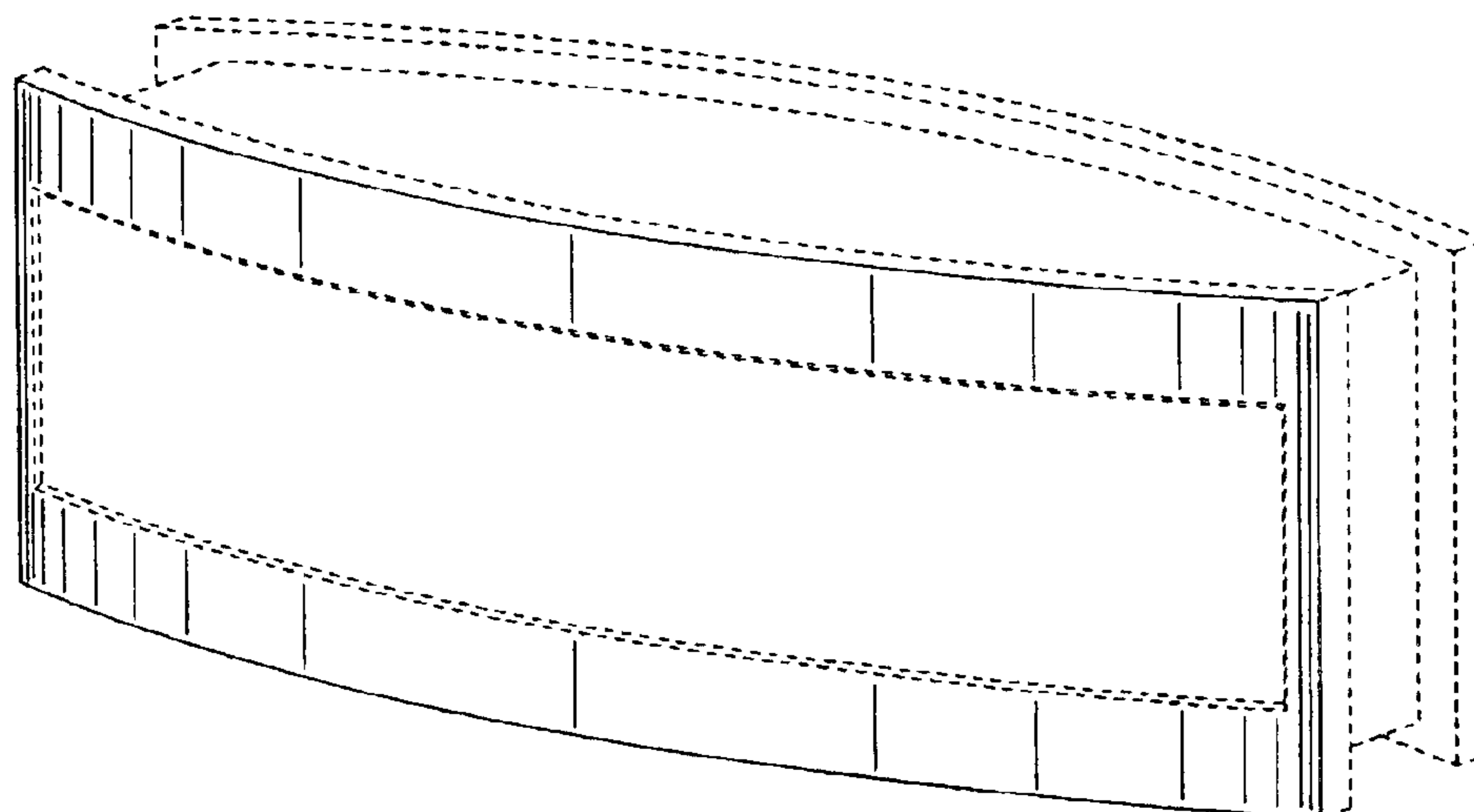
U.S. PATENT DOCUMENTS

D225,280 S	*	11/1972	Conner	D16/219
D301,696 S	*	6/1989	Greenlee et al.	D10/106
D302,951 S		8/1989	Kotlicki et al.		
D312,054 S		11/1990	Melman		
D334,763 S		4/1993	Sedighzadeh et al.		
D341,787 S	*	11/1993	Chan	D10/106
D399,155 S		10/1998	Roberts		
D425,534 S		5/2000	Mutoh et al.		
6,259,476 B1	*	7/2001	Greene	348/151

FIG. 1 is a top perspective view of a surveillance television camera of the present invention;
FIG. 2 is a front view thereof;
FIG. 3 is a rear view thereof;
FIG. 4 is a first side view thereof, wherein the second side view is a mirror image thereof; and,
FIG. 5 is a top view thereof, wherein the bottom view is a mirror image thereof.

The ornamental design which is claimed is shown in solid lines in the drawings. Any broken lines in the drawings are for illustrative purposes only and form no part of the claimed design.

1 Claim, 5 Drawing Sheets



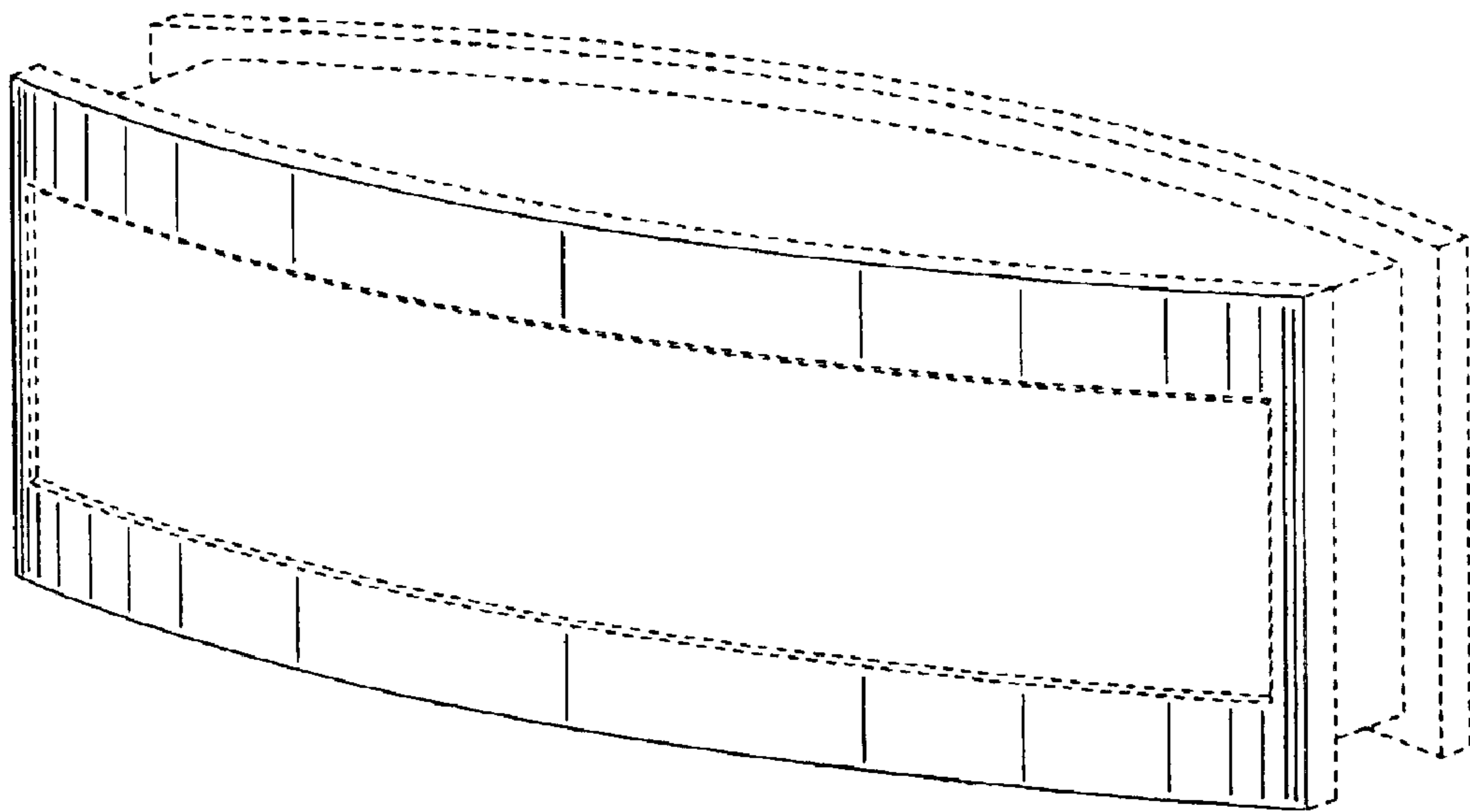


FIG. 1

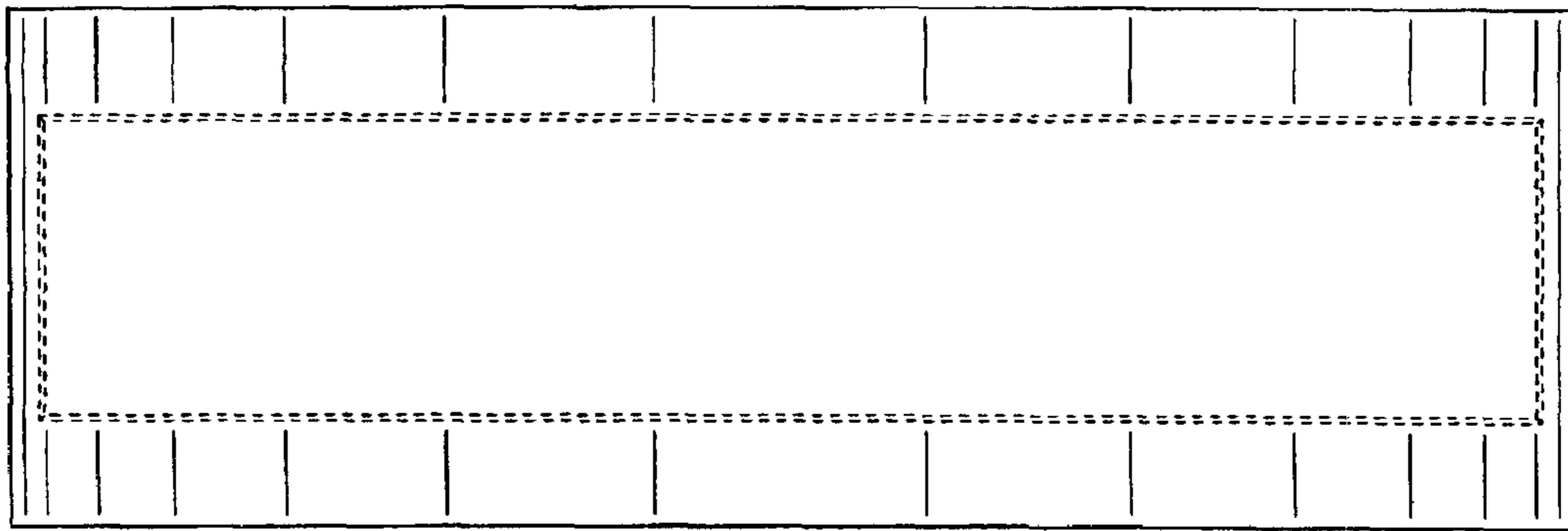


FIG. 2



FIG. 3

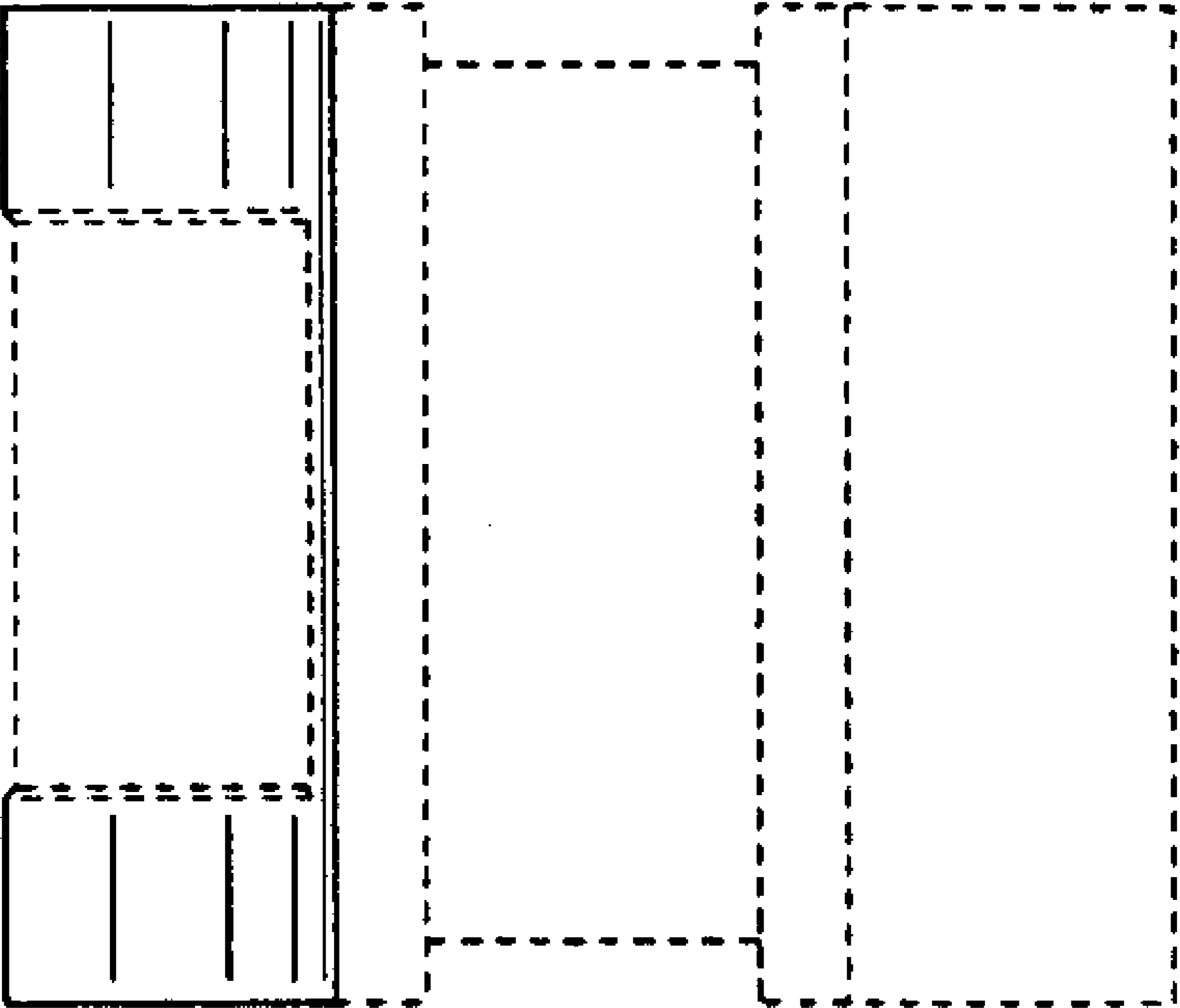


FIG. 4

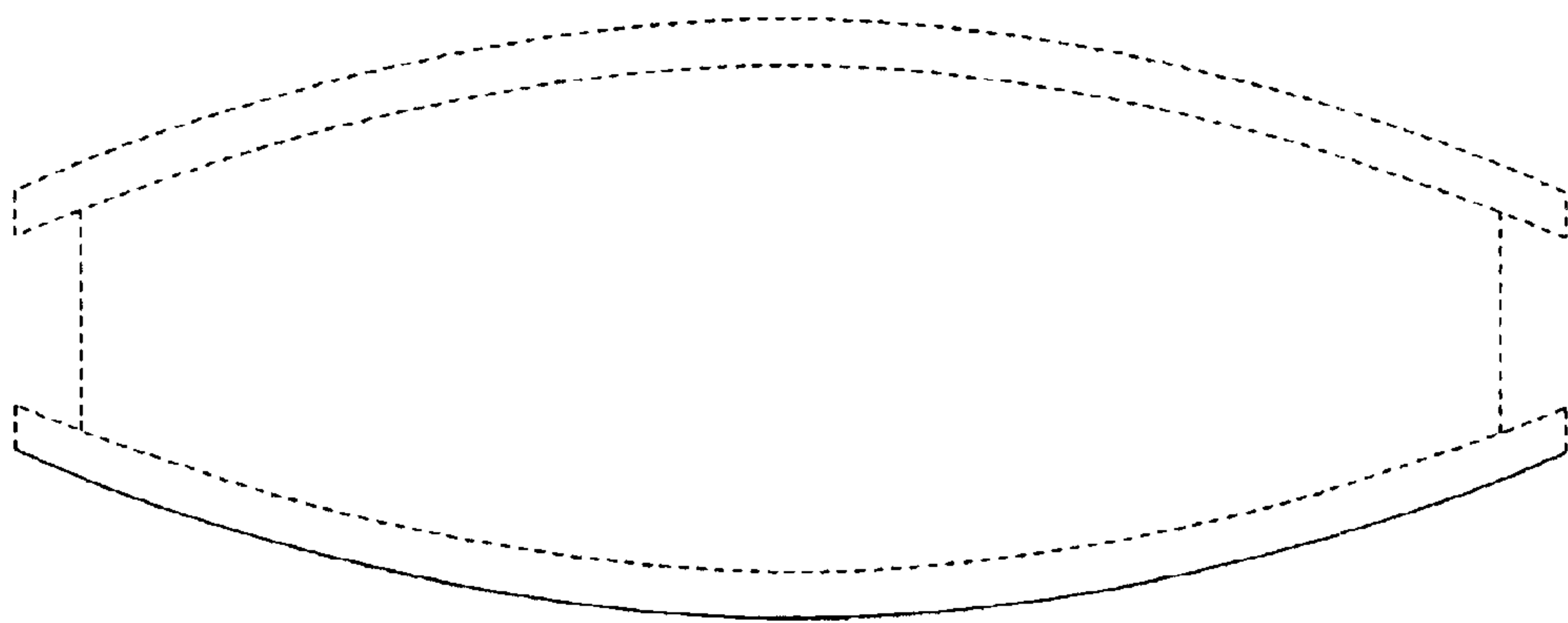


FIG. 5