



US00D505685S

(12) **United States Design Patent**  
**Yoshida**

(10) **Patent No.:** **US D505,685 S**  
(45) **Date of Patent:** **\*\* May 31, 2005**

(54) **ELECTRONIC CAMERA**

(75) **Inventor:** **Koji Yoshida, Tokyo (JP)**

(73) **Assignee:** **Fuji Photo Film, Co., Ltd., Kanagawa (JP)**

(\*\*) **Term:** **14 Years**

(21) **Appl. No.:** **29/199,597**

(22) **Filed:** **Feb. 19, 2004**

(30) **Foreign Application Priority Data**

Oct. 15, 2003 (JP) ..... 2003-030373

(51) **LOC (7) Cl.** ..... **16-05**

(52) **U.S. Cl.** ..... **D16/219**

(58) **Field of Search** ..... D16/200–206,  
D16/208, 209, 218, 219; 348/373–376;  
358/909.1; 396/535–541

(56) **References Cited**

**U.S. PATENT DOCUMENTS**

4,943,822 A \* 7/1990 von Brauhut ..... 396/373  
D407,098 S \* 3/1999 Goto et al. .... D16/202  
D412,517 S \* 8/1999 Hayamizu ..... D16/209  
D418,851 S \* 1/2000 Goto et al. .... D16/202

D434,058 S \* 11/2000 Shinohara et al. .... D16/219  
D455,167 S \* 4/2002 Friedrichs et al. .... D16/218  
D475,383 S \* 6/2003 Omino ..... D16/202  
D483,783 S 12/2003 Yoshida

\* cited by examiner

*Primary Examiner*—Adir Aronovich

(74) *Attorney, Agent, or Firm*—Young & Thompson

(57) **CLAIM**

The ornamental design for an electronic camera, as shown and described.

**DESCRIPTION**

FIG. 1 is a top, front and side perspective view of an electronic camera showing my new design;  
FIG. 2 is a front elevational view thereof;  
FIG. 3 is a top plan view thereof;  
FIG. 4 is a bottom plan view thereof;  
FIG. 5 is a side elevational view thereof from the left of FIG. 2; and,  
FIG. 6 is a side elevational view thereof from the right of FIG. 2.

The material shown in broken line indicates one possible environment in which the present invention may be used, but forms no part of that invention.

**1 Claim, 3 Drawing Sheets**

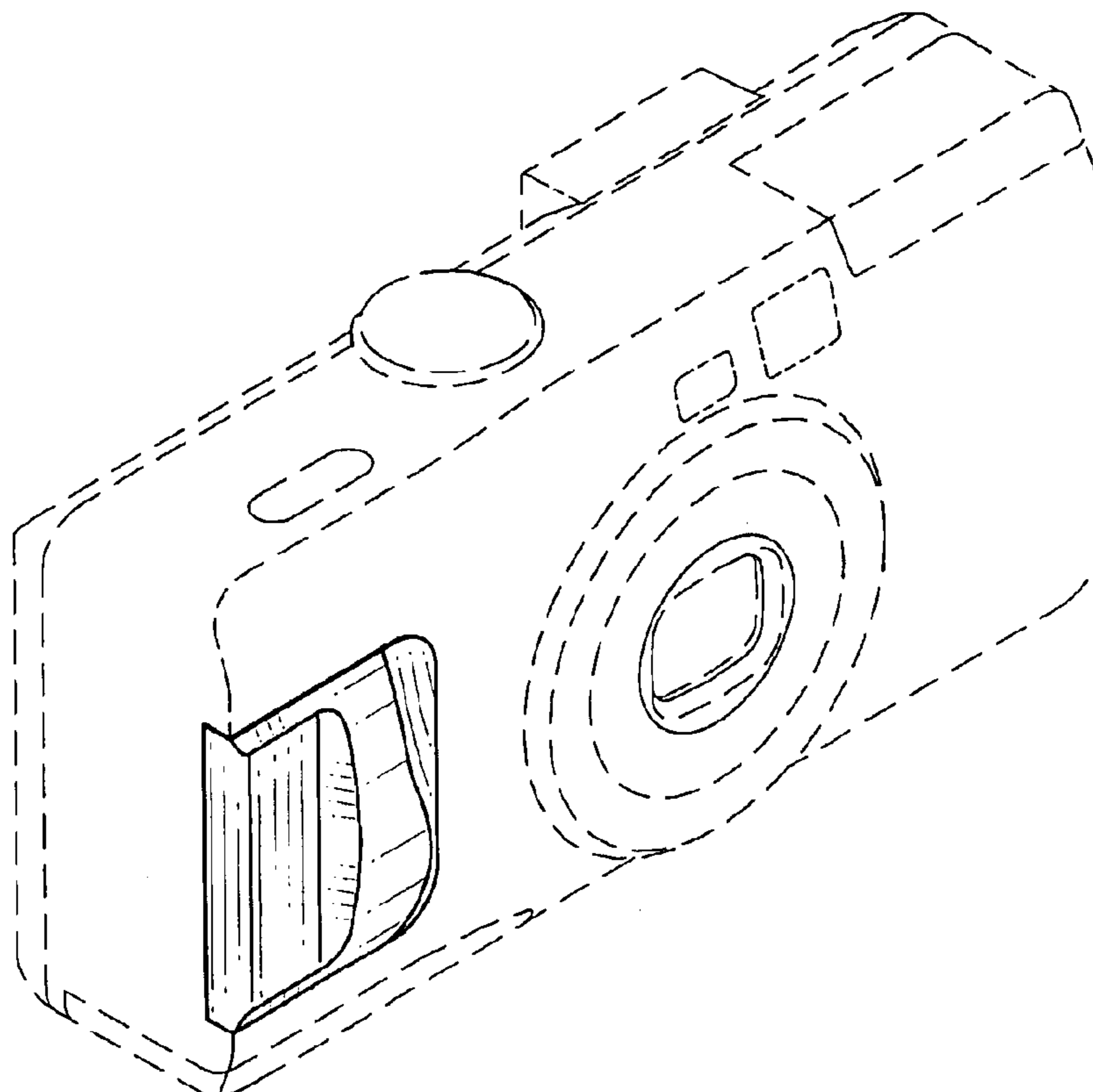


FIG.1

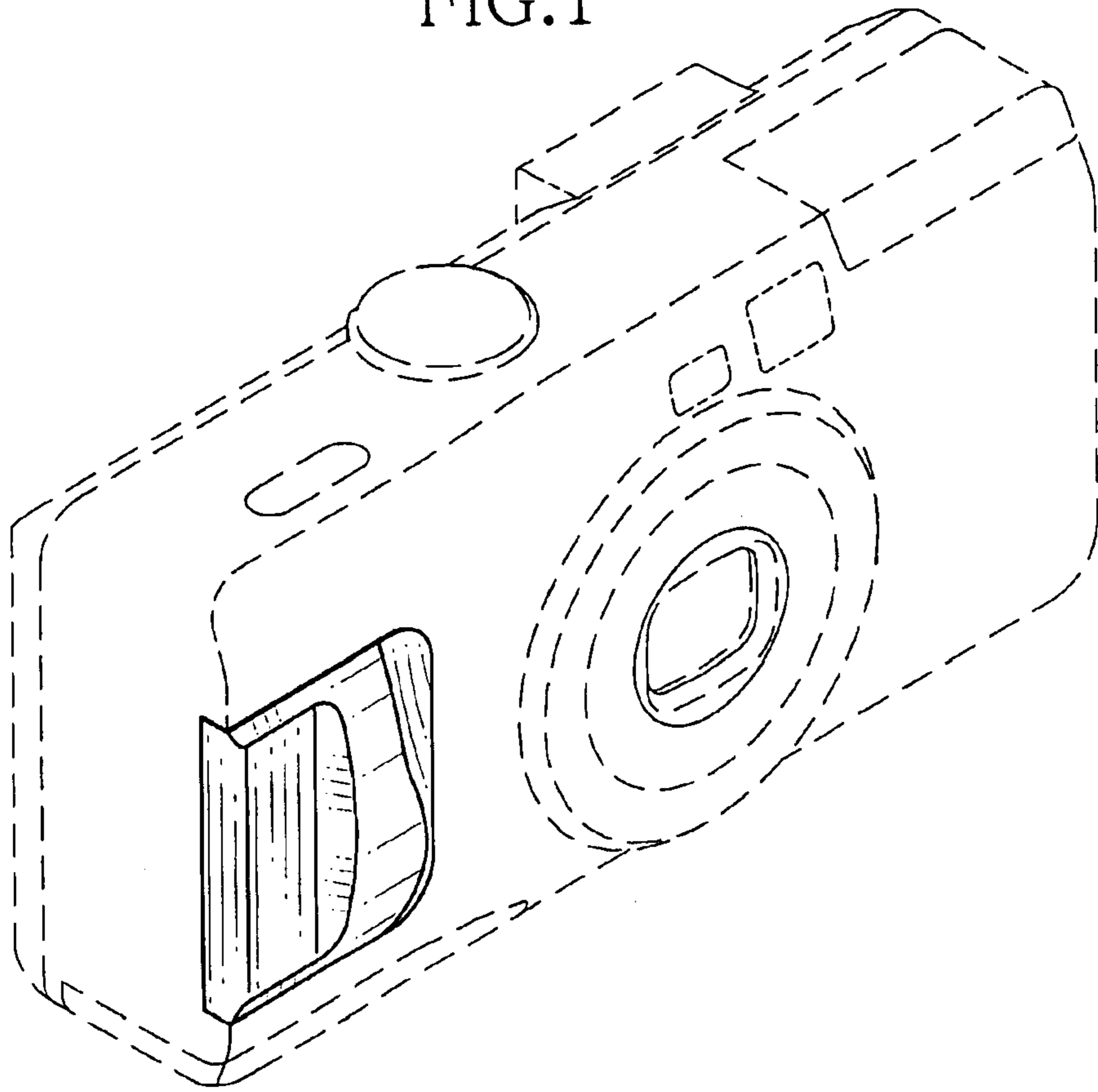


FIG.2

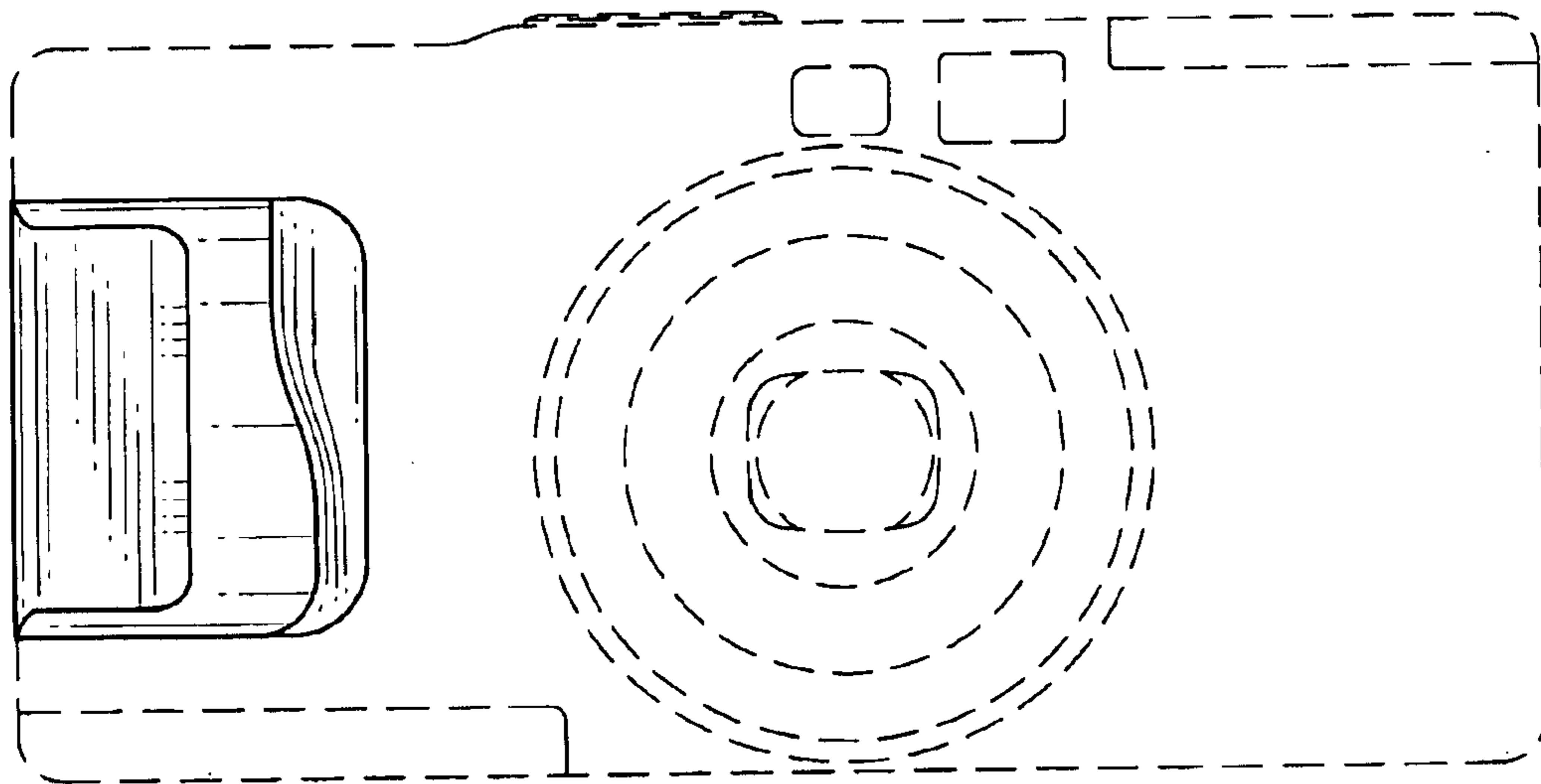


FIG.3

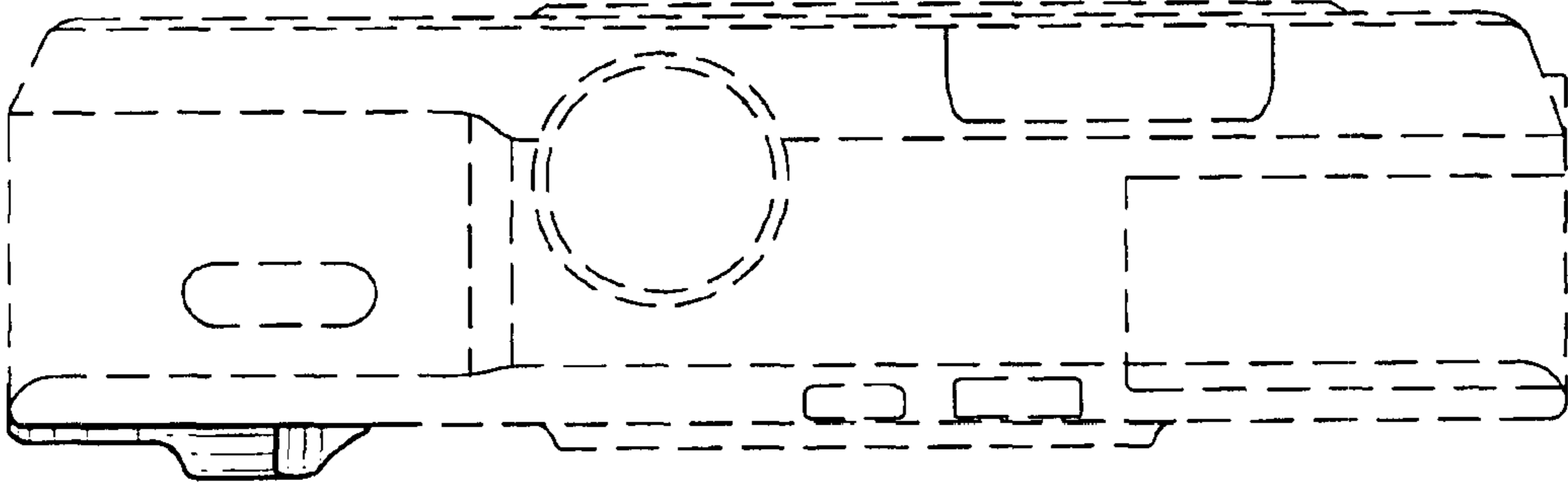


FIG.4

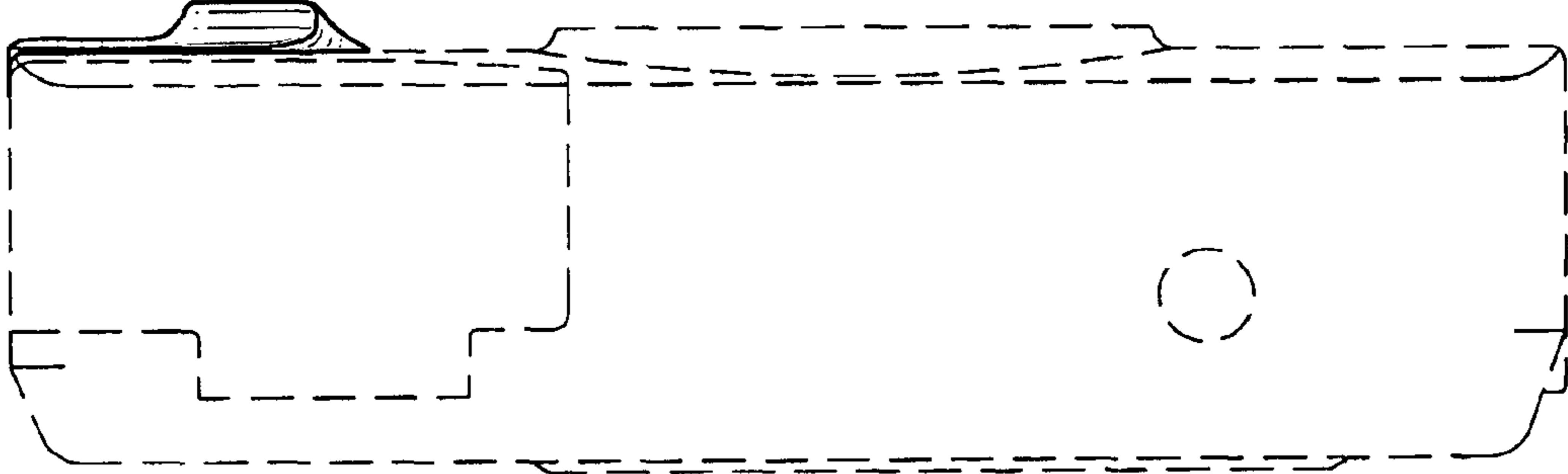


FIG.5

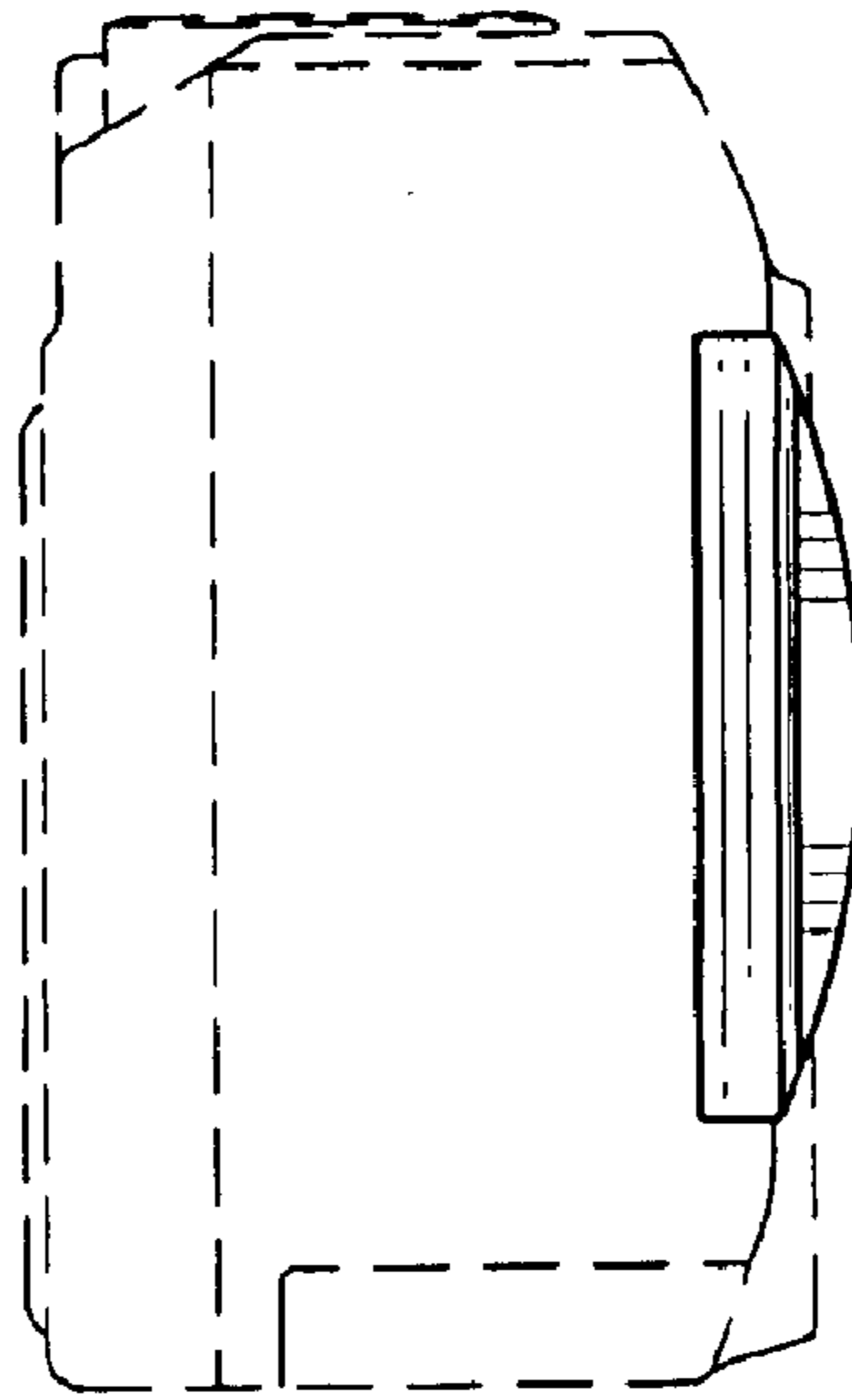


FIG.6

