

US00D505684S

(12) **United States Design Patent**
Gotham et al.

(10) **Patent No.:** **US D505,684 S**

(45) **Date of Patent:** **** May 31, 2005**

(54) **DIGITAL CAMERA**

(75) Inventors: **David R. Gotham**, Rochester, NY (US); **Albert Ferland**, Williamson, NY (US)

(73) Assignee: **Eastman Kodak Company**, Rochester, NY (US)

(**) Term: **14 Years**

(21) Appl. No.: **29/179,991**

(22) Filed: **Apr. 17, 2003**

(51) **LOC (7) Cl.** **16-01**

(52) **U.S. Cl.** **D16/202; D16/217**

(58) **Field of Search** D16/200–206, D16/208, 209, 216–218; 348/373–376; 396/176, 177, 354–355, 535–541

(56) **References Cited**

U.S. PATENT DOCUMENTS

- D439,922 S * 4/2001 Kumakura D16/217
- 6,351,609 B1 * 2/2002 Hosokawa et al. 396/177
- D471,222 S * 3/2003 Matsumura D16/217

- D482,713 S * 11/2003 Hayashi D16/217
- D487,105 S * 2/2004 Takahashi D16/202

* cited by examiner

Primary Examiner—Adir Aronovich

(74) *Attorney, Agent, or Firm*—Pamela R. Crocker

(57) **CLAIM**

The ornamental design for a digital camera, as shown and described.

DESCRIPTION

The design is embodied as a digital camera for capturing digital images.

FIG. 1 is a front, top, right-side perspective of a digital camera according to the present invention;

FIG. 2 is a rear, bottom, left-side perspective thereof;

FIG. 3 is a front view thereof;

FIG. 4 is a rear view thereof;

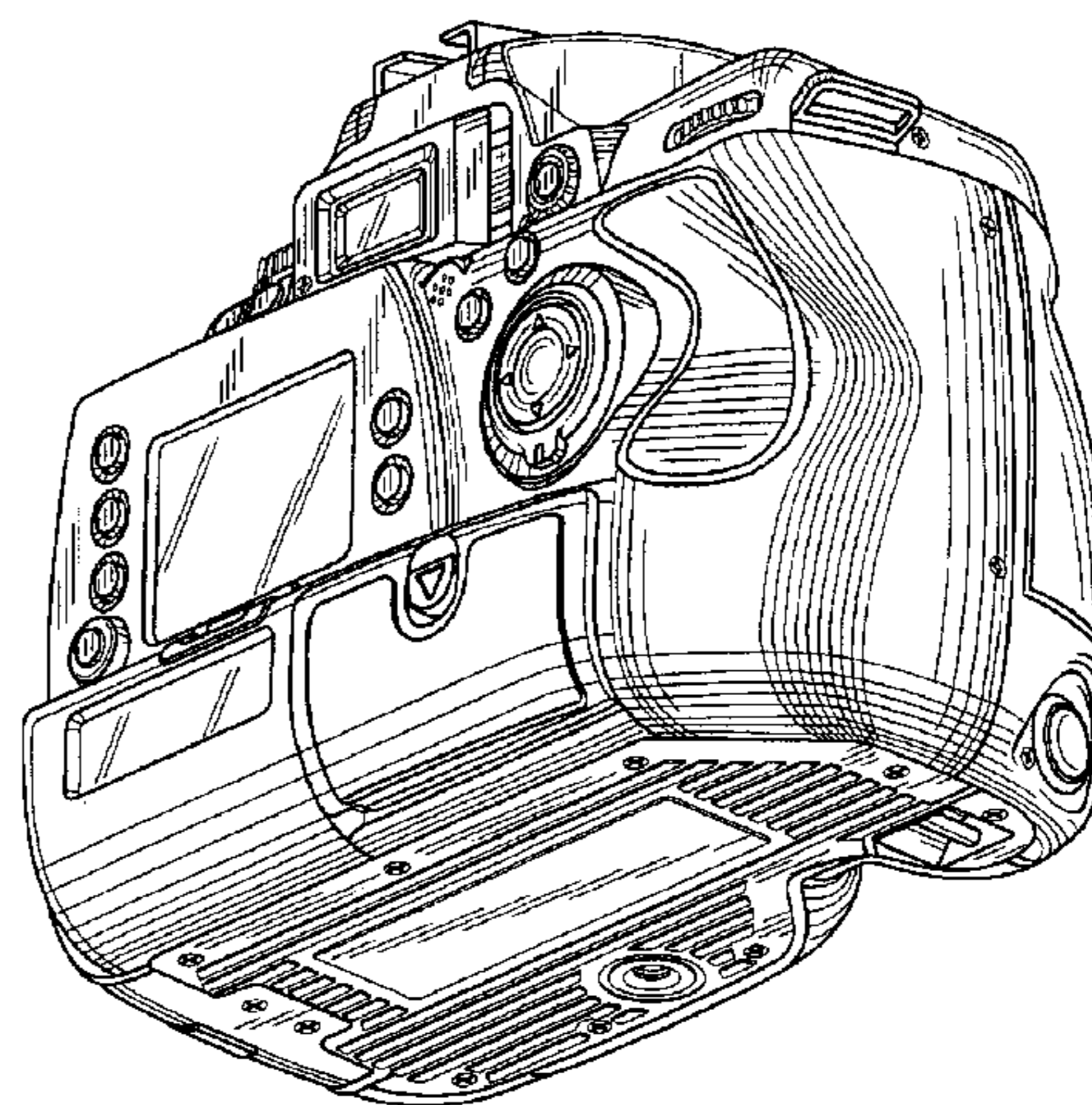
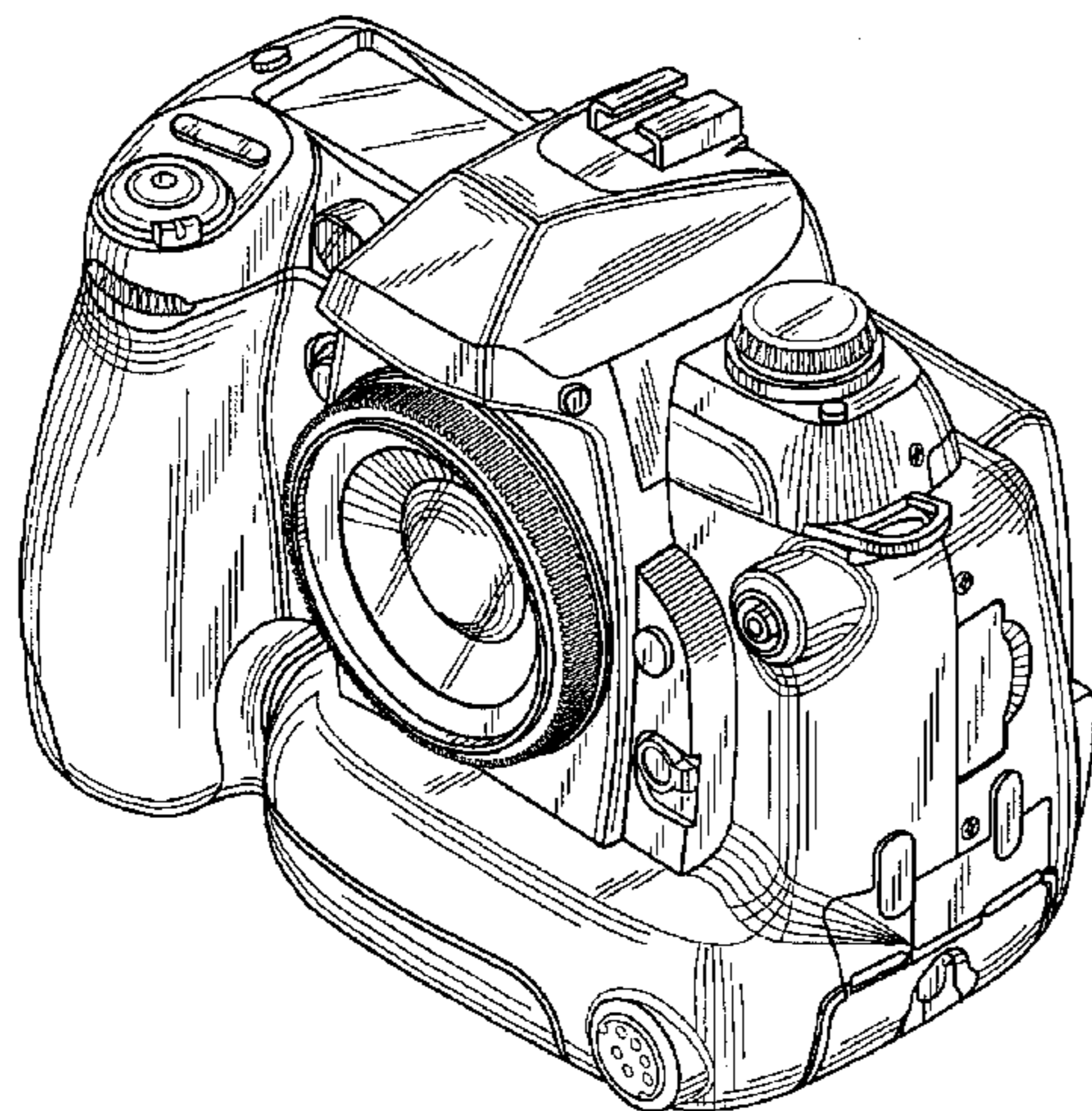
FIG. 5 is a top view thereof;

FIG. 6 is a bottom view thereof;

FIG. 7 is a right-side view thereof; and,

FIG. 8 is a left-side view thereof.

1 Claim, 6 Drawing Sheets



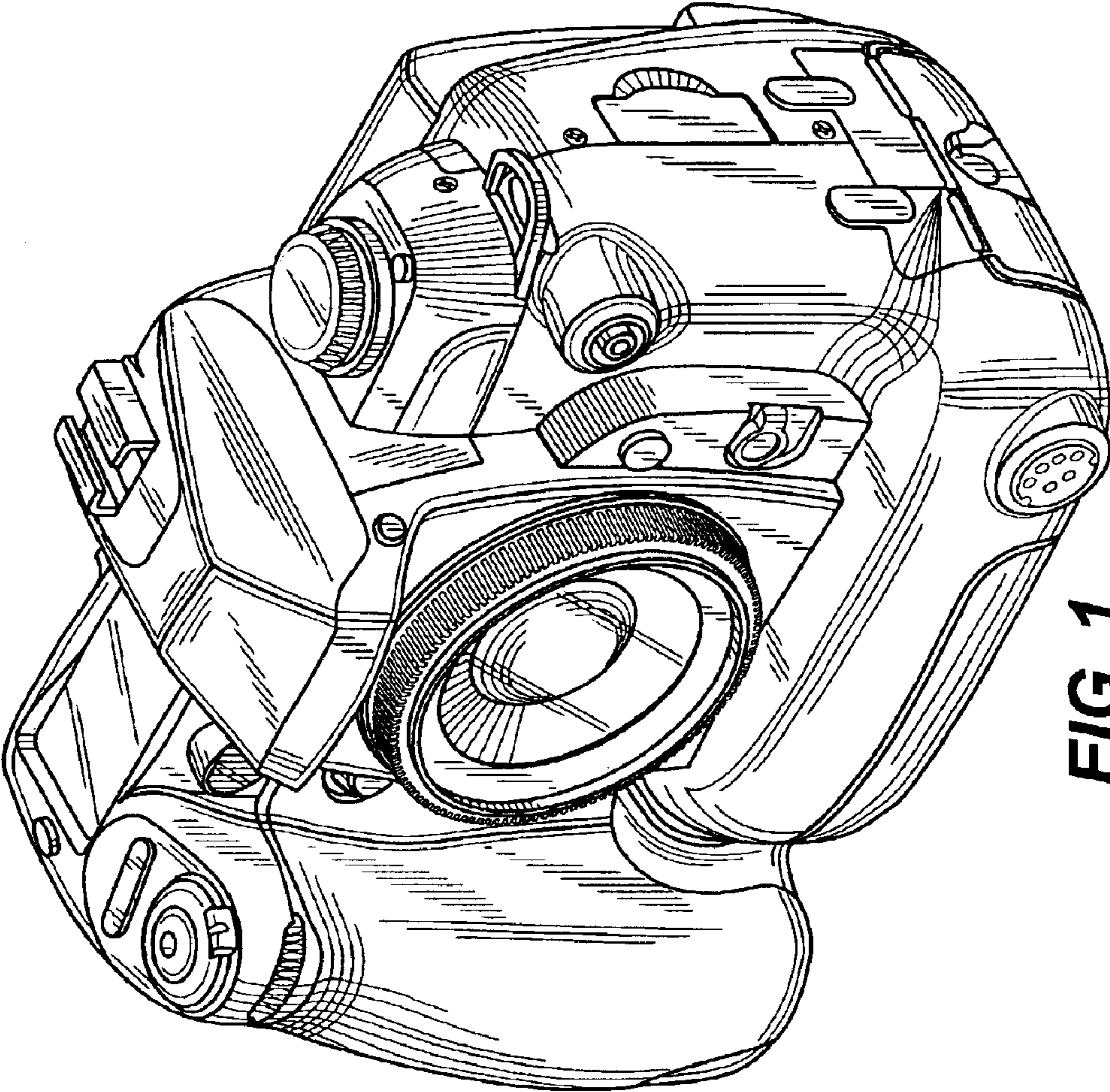


FIG. 1

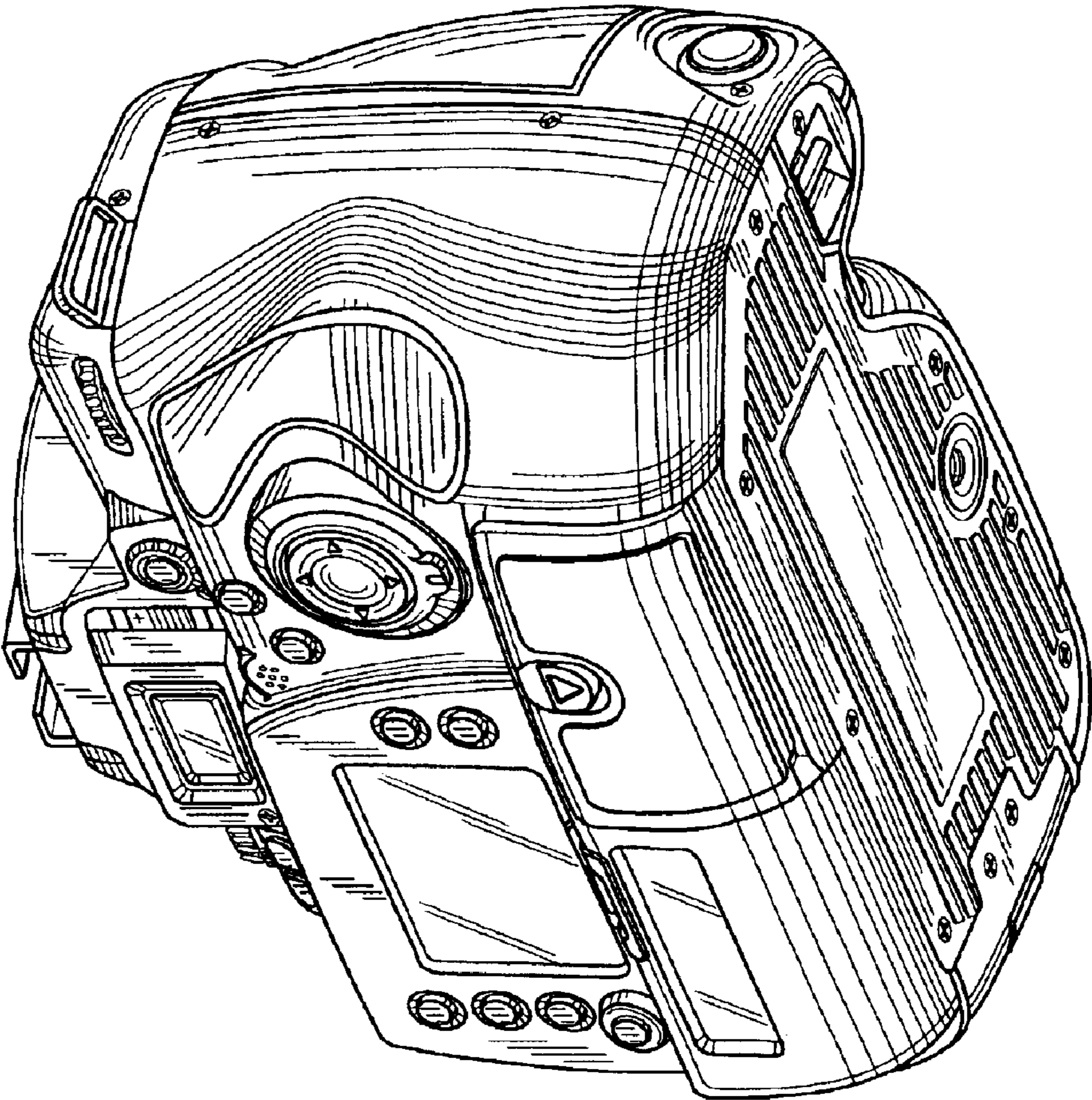


FIG. 2

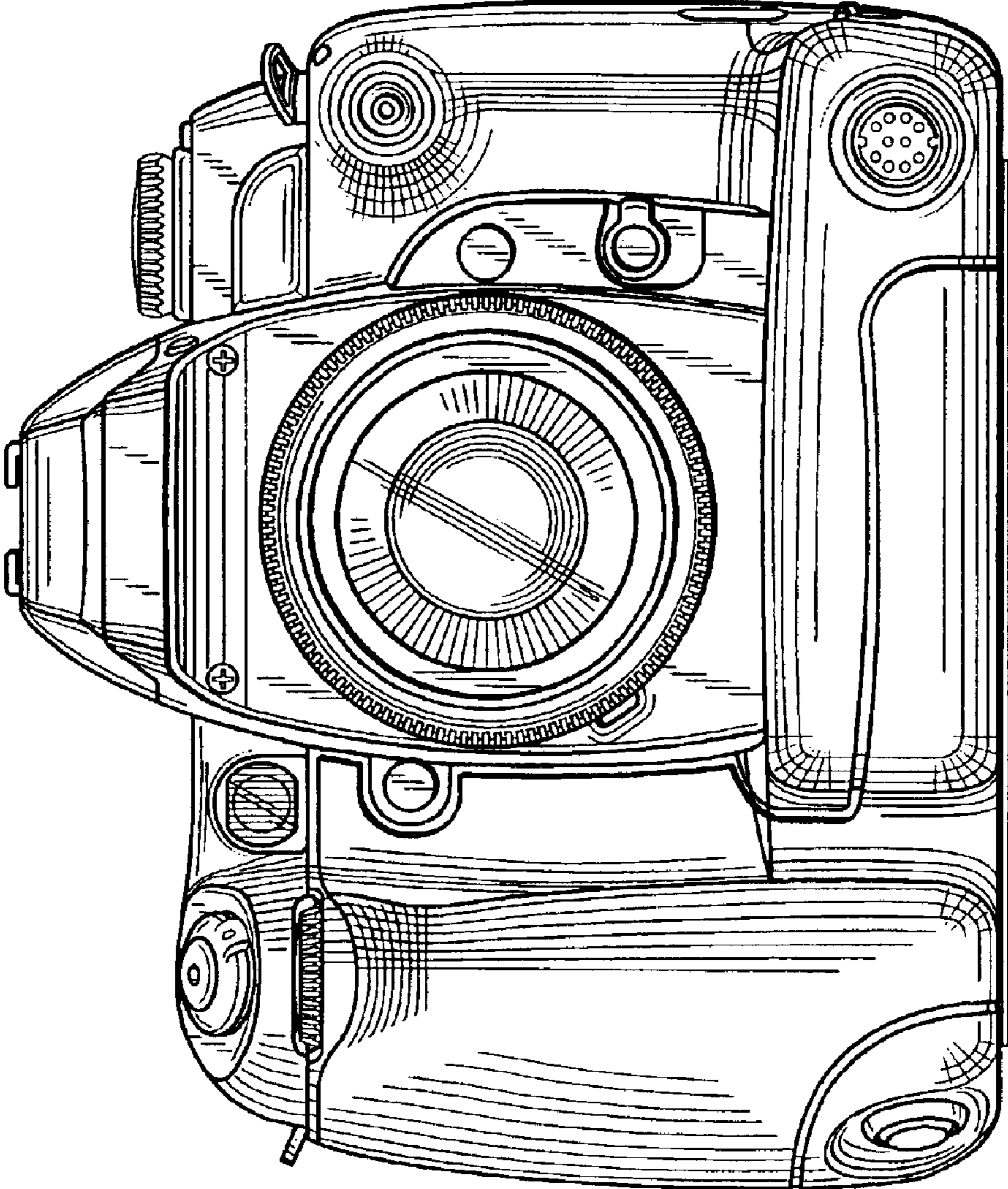


FIG. 3

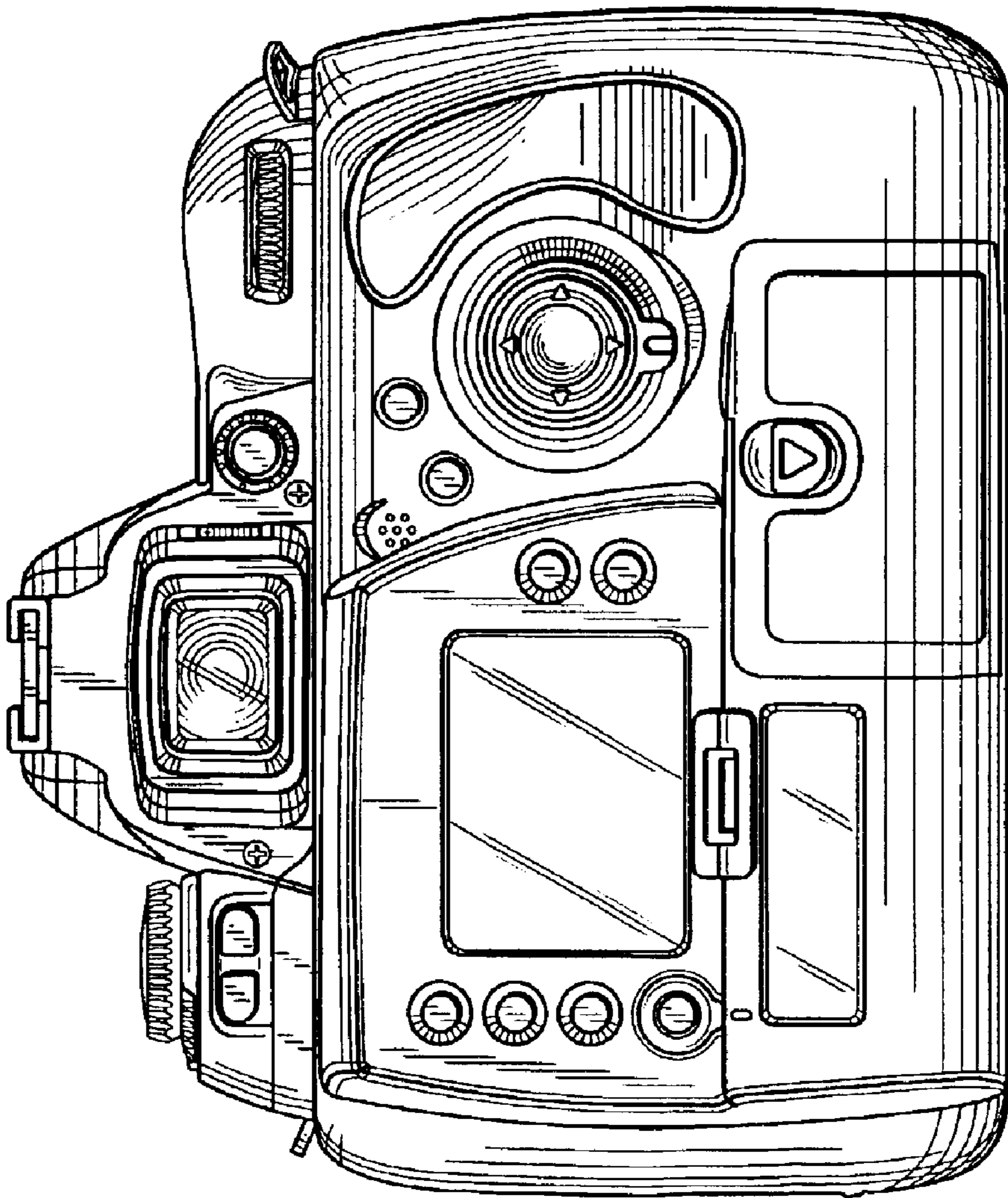


FIG. 4

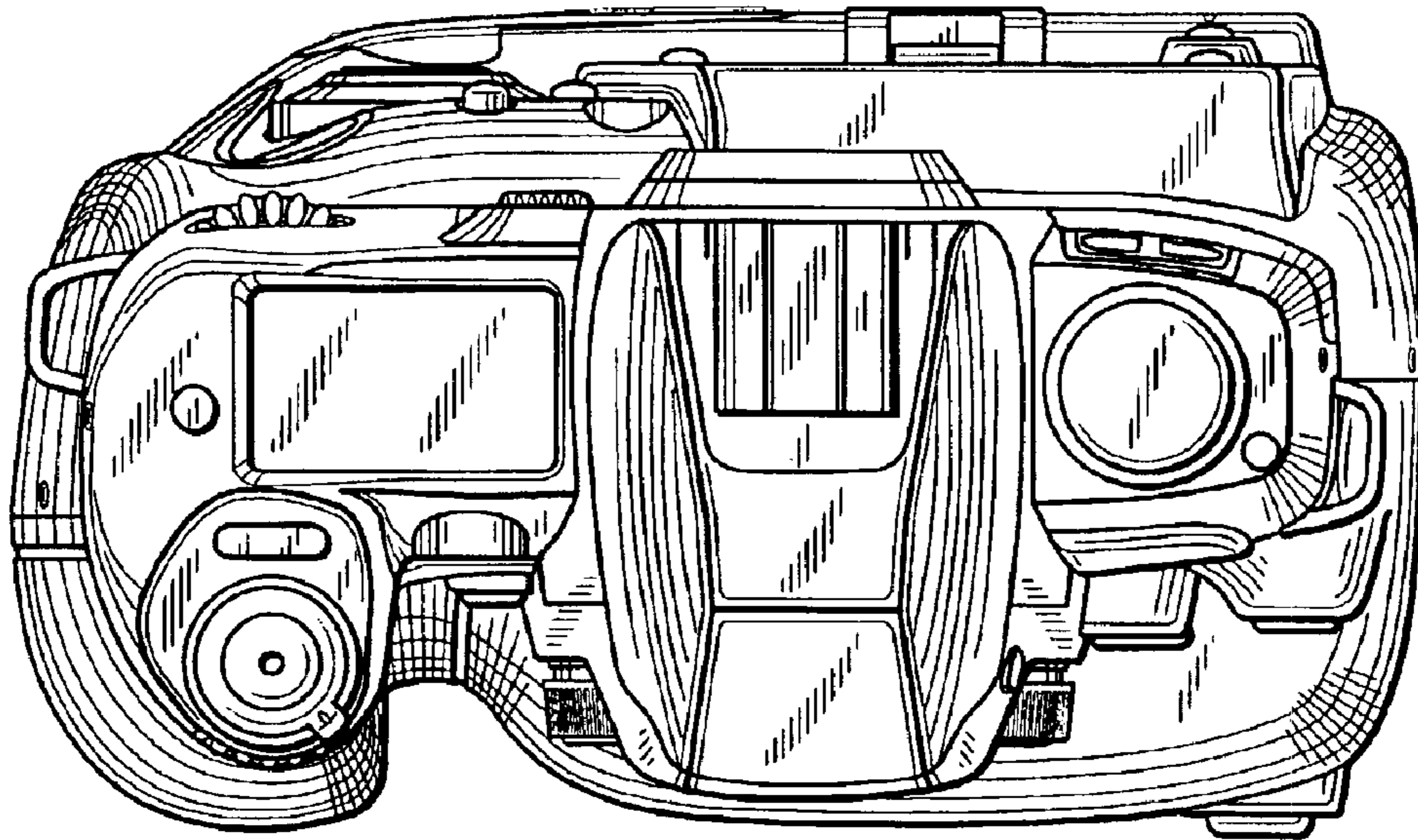


FIG. 5

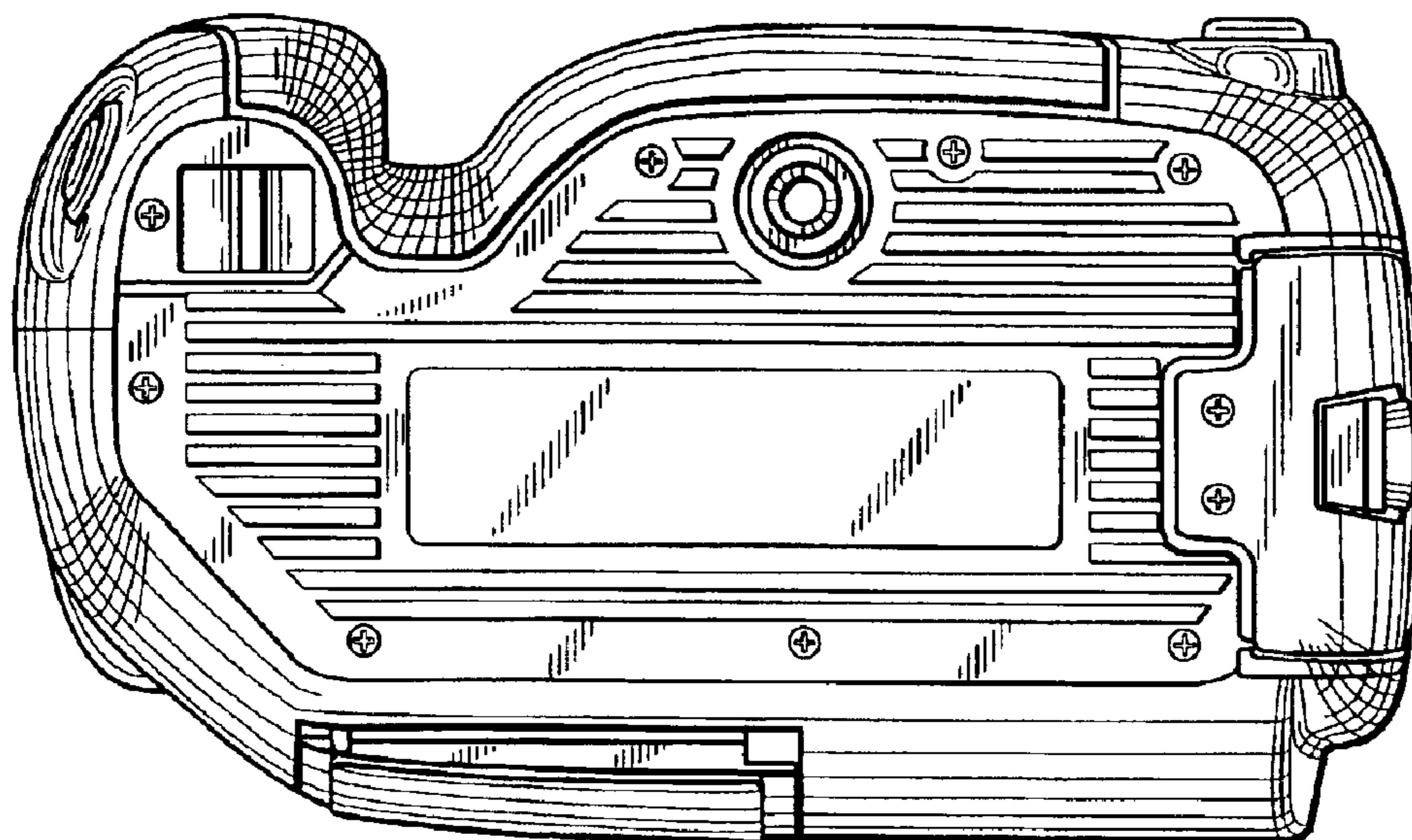


FIG. 6

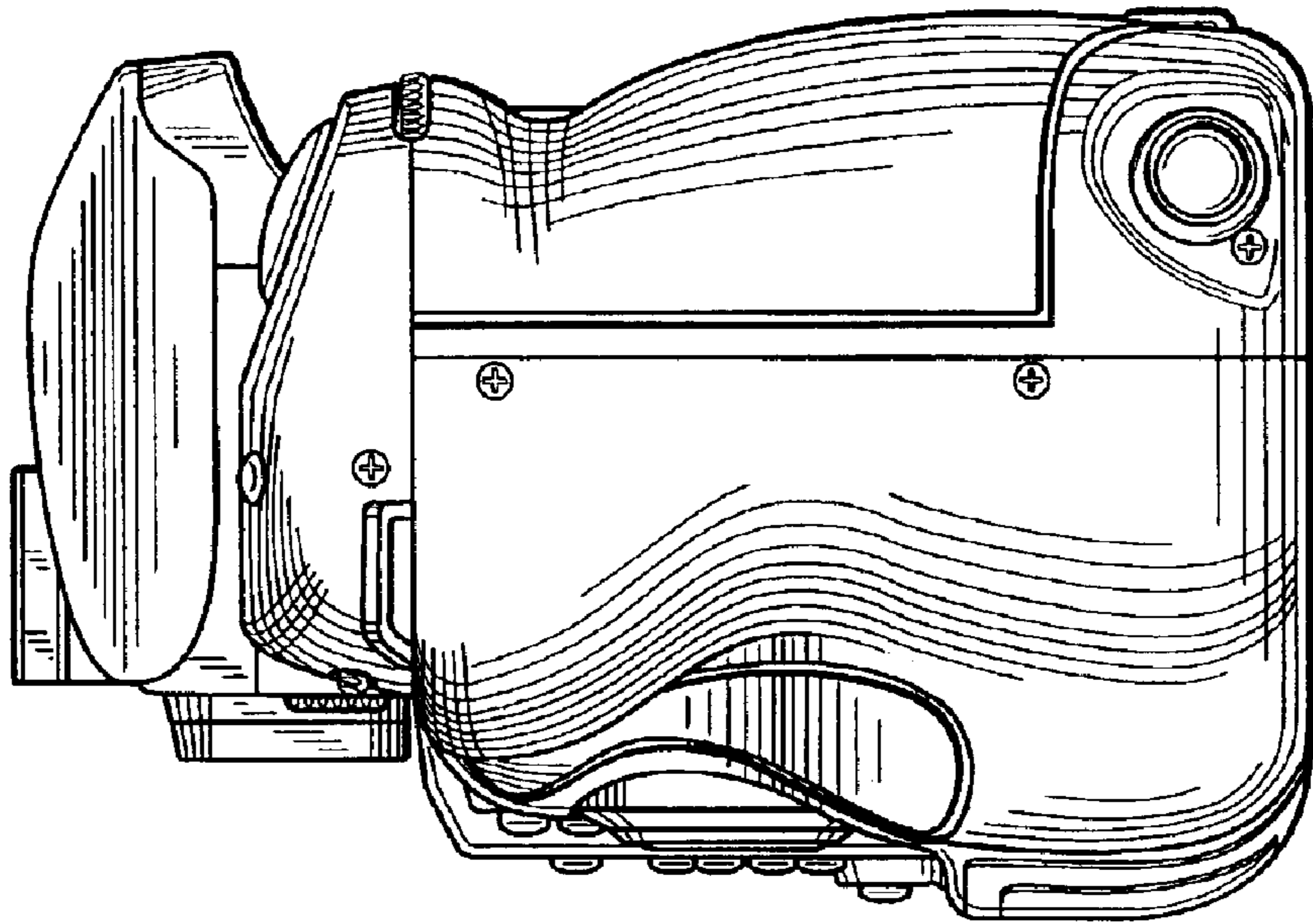


FIG. 8

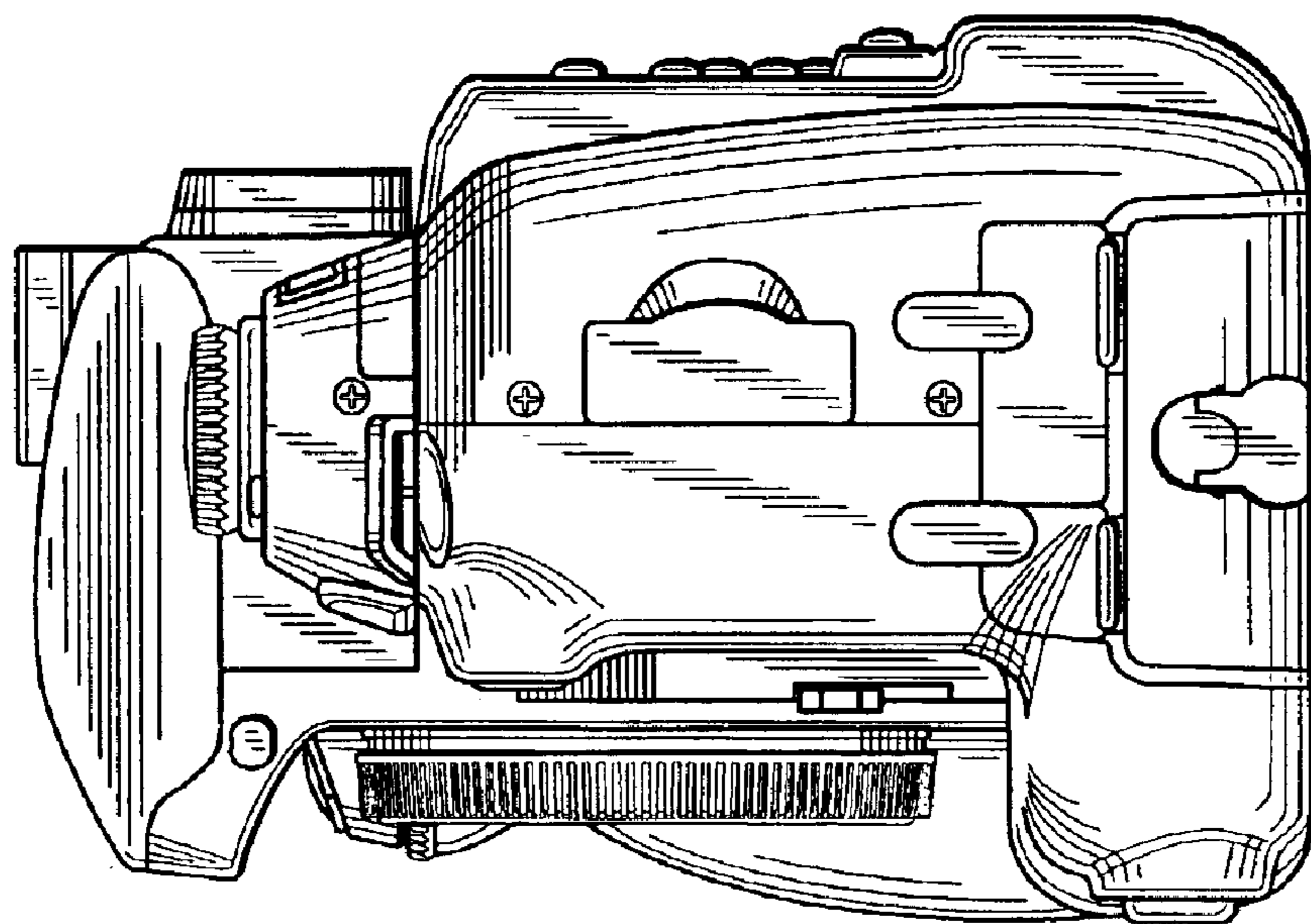


FIG. 7