

US00D505683S

(12) **United States Design Patent**  
**Pfaff**

(10) **Patent No.:** **US D505,683 S**

(45) **Date of Patent:** **\*\* May 31, 2005**

(54) **GRINDING MACHINE**

(75) **Inventor:** **Ernst Pfaff, Augsburg (DE)**

(73) **Assignee:** **Scheppach Fabrikation von  
Holzbearbeitungsmaschinen GmbH,  
Ichenhausen (DE)**

(\*\*) **Term:** **14 Years**

(21) **Appl. No.:** **29/188,063**

(22) **Filed:** **May 6, 2004**

(51) **LOC (7) Cl.** ..... **15-09**

(52) **U.S. Cl.** ..... **D15/124**

(58) **Field of Search** ..... D15/124; 451/367,  
451/266, 365

(56) **References Cited**

**U.S. PATENT DOCUMENTS**

- 2,153,502 A \* 4/1939 Ocnasek ..... 451/273
- D134,699 S \* 12/1942 Antrim ..... D15/124
- 3,879,899 A \* 4/1975 Ribar ..... 451/224
- 5,218,787 A \* 6/1993 Rice ..... 451/229

- 5,301,473 A \* 4/1994 Seear ..... 451/367
- D458,617 S \* 6/2002 Wang ..... D15/124
- 2002/0197942 A1 \* 12/2002 Jansson ..... 451/365

\* cited by examiner

*Primary Examiner*—Antoine D. Davis

(74) *Attorney, Agent, or Firm*—Bacon & Thomas

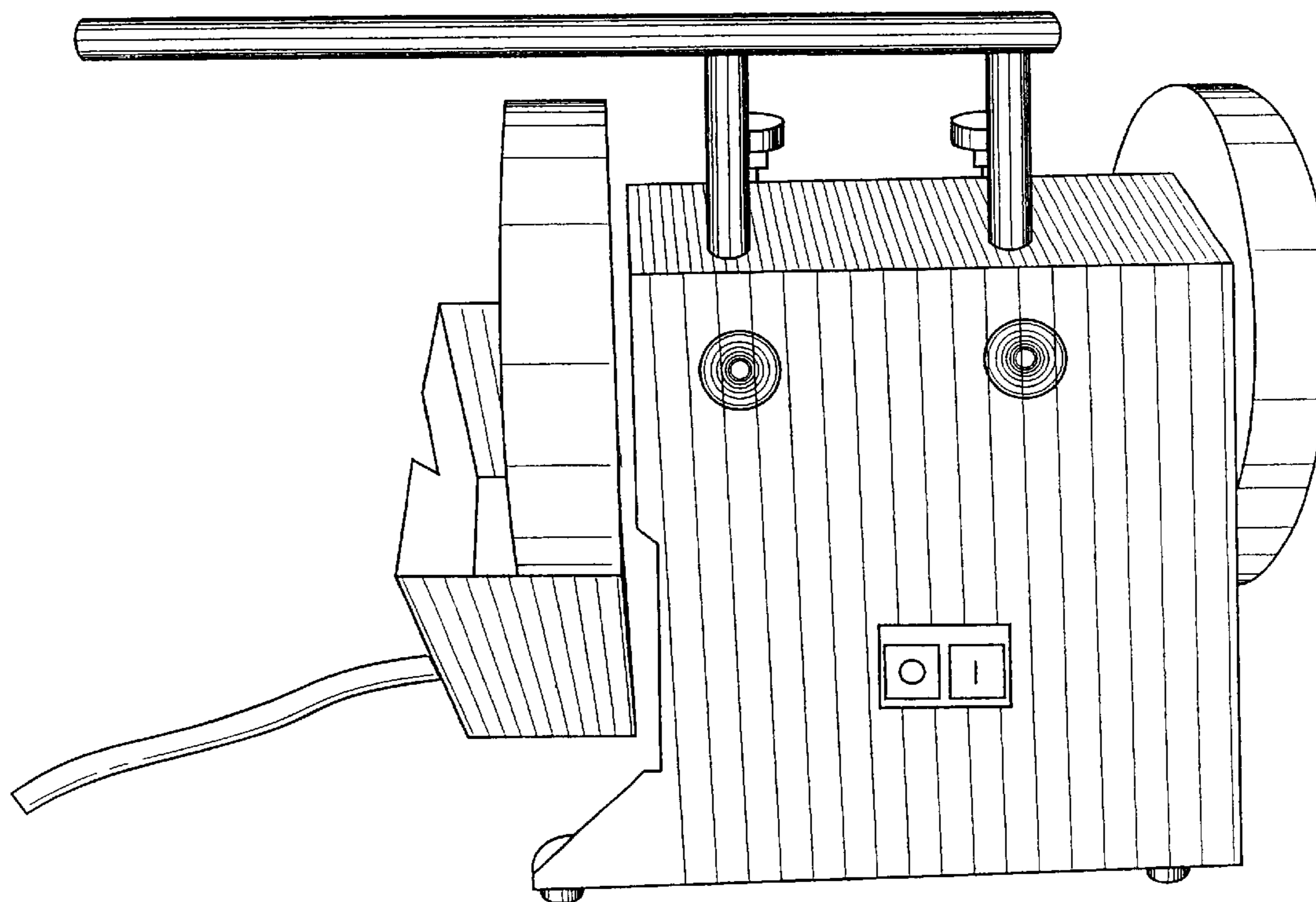
(57) **CLAIM**

The ornamental design for a grinding machine, as shown and described.

**DESCRIPTION**

FIG. 1 is a front view of the grinding machine according to the present invention;  
 FIG. 2 is a rear, left-side perspective view of the grinding machine of FIG. 1;  
 FIG. 3 is a rear, right-side perspective view of the grinding machine of FIG. 1;  
 FIG. 4 is a front, right-side perspective view of the grinding machine of FIG. 1; and,  
 FIG. 5 is a front, left-side perspective view of the grinding machine of FIG. 1.

**1 Claim, 5 Drawing Sheets**



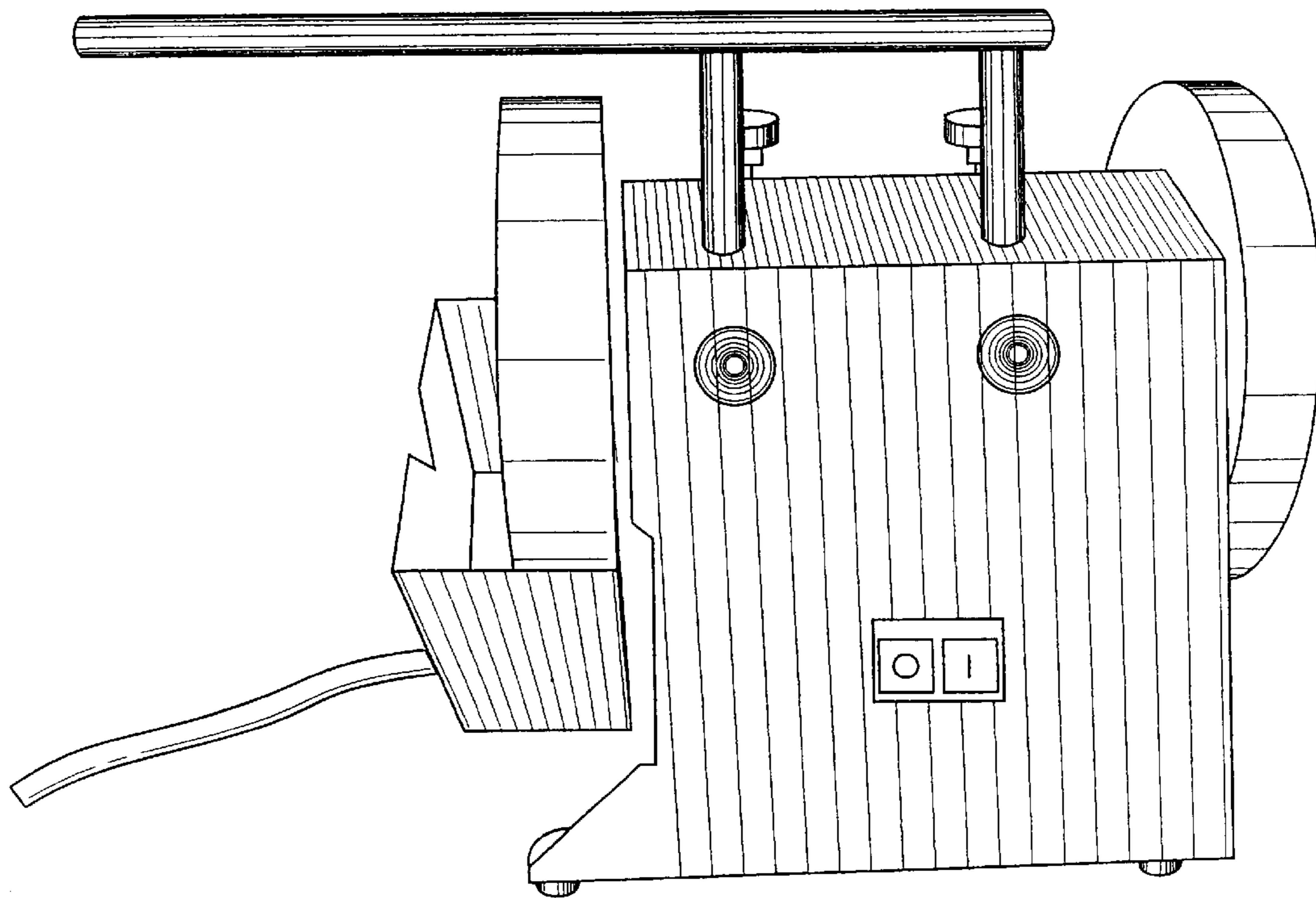


FIG. 1

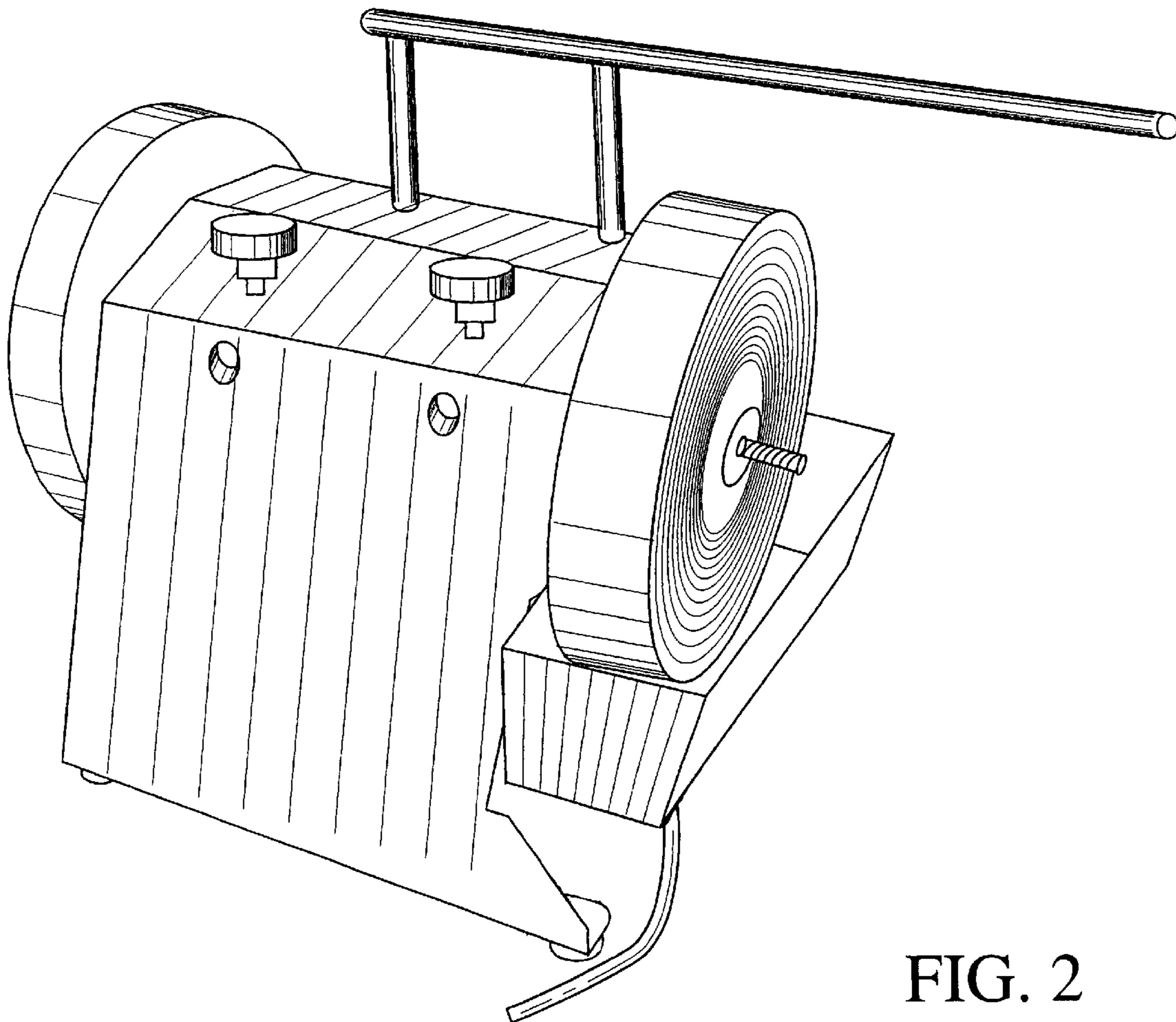


FIG. 2

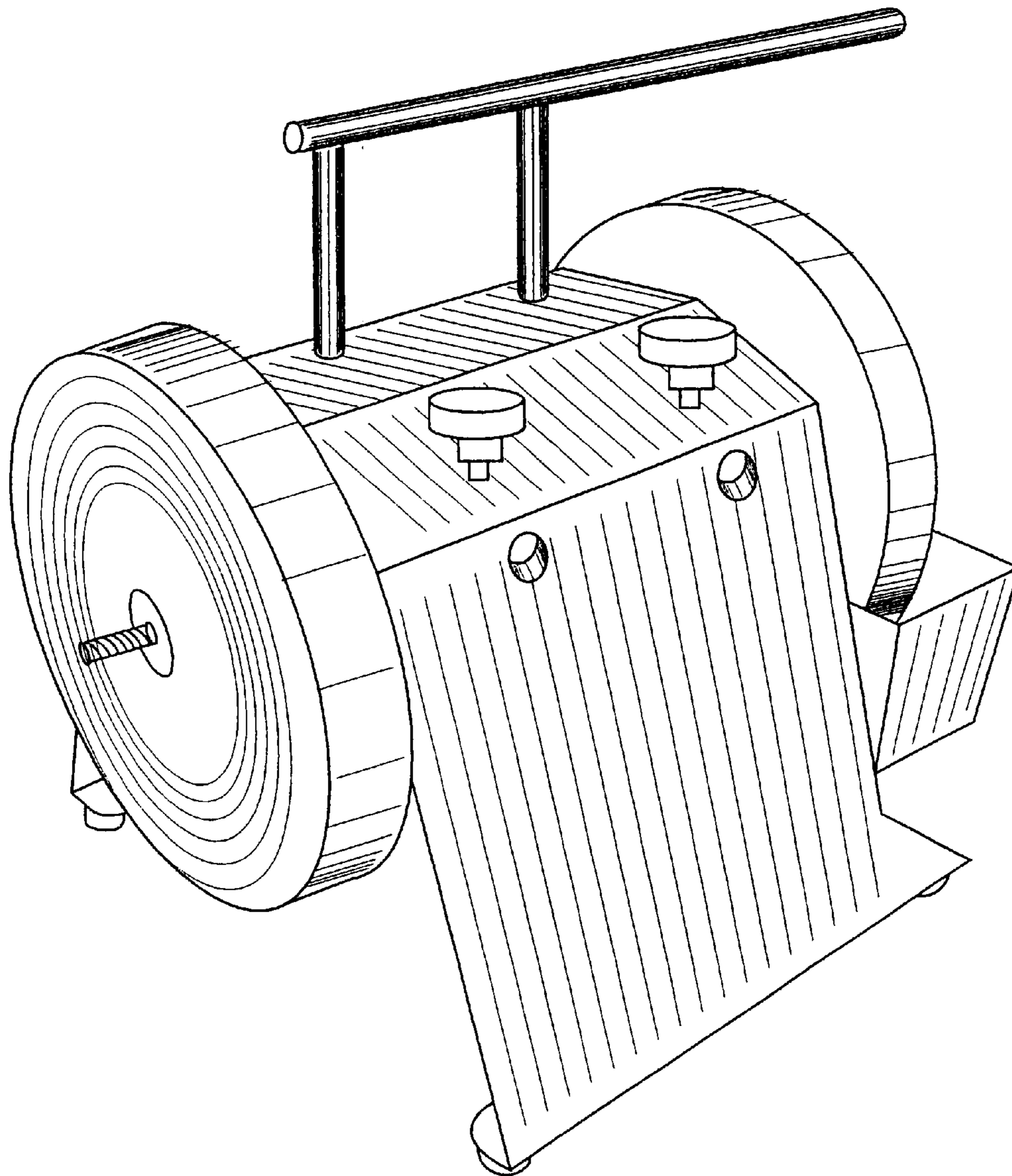


FIG. 3

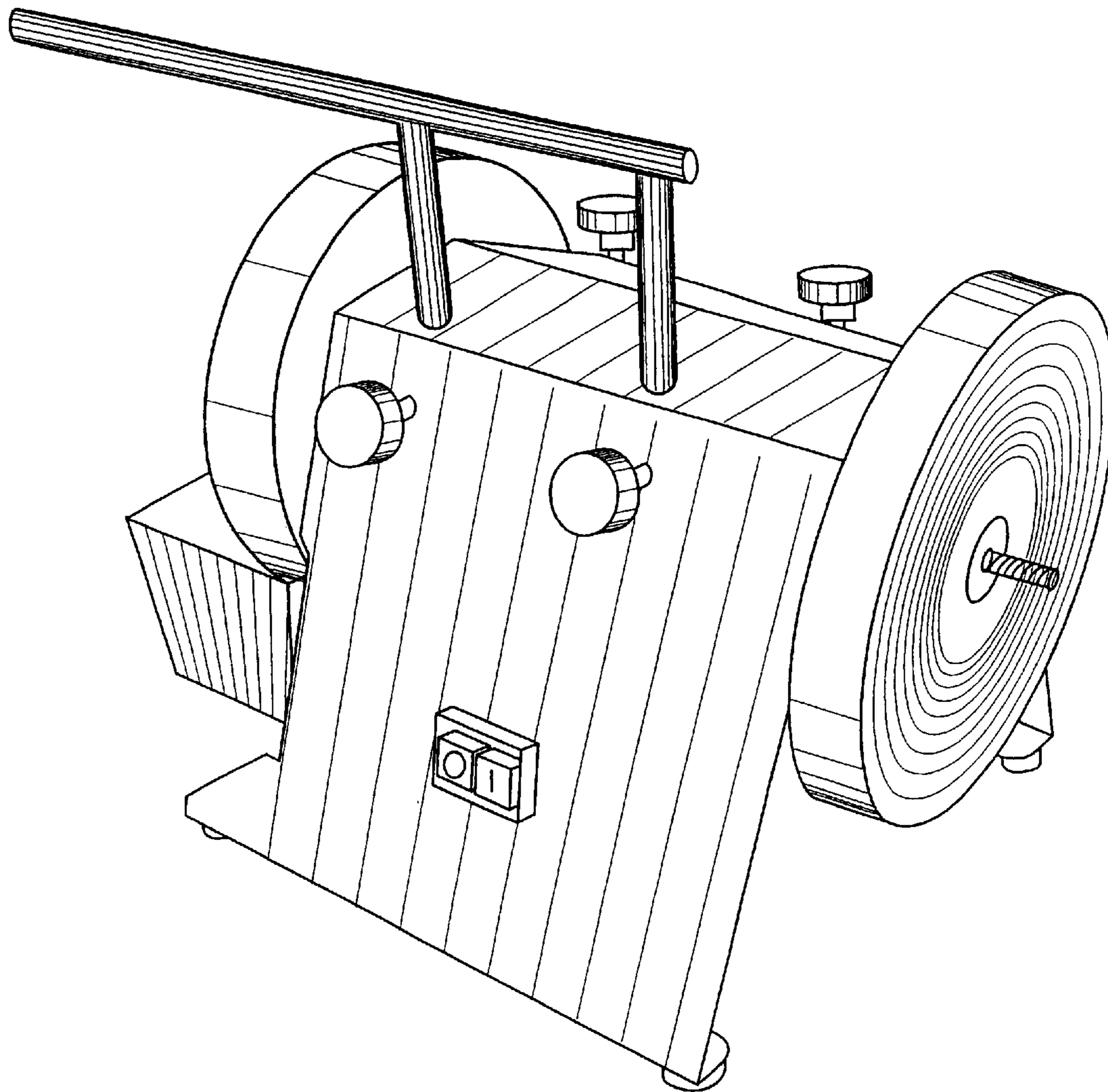


FIG. 4



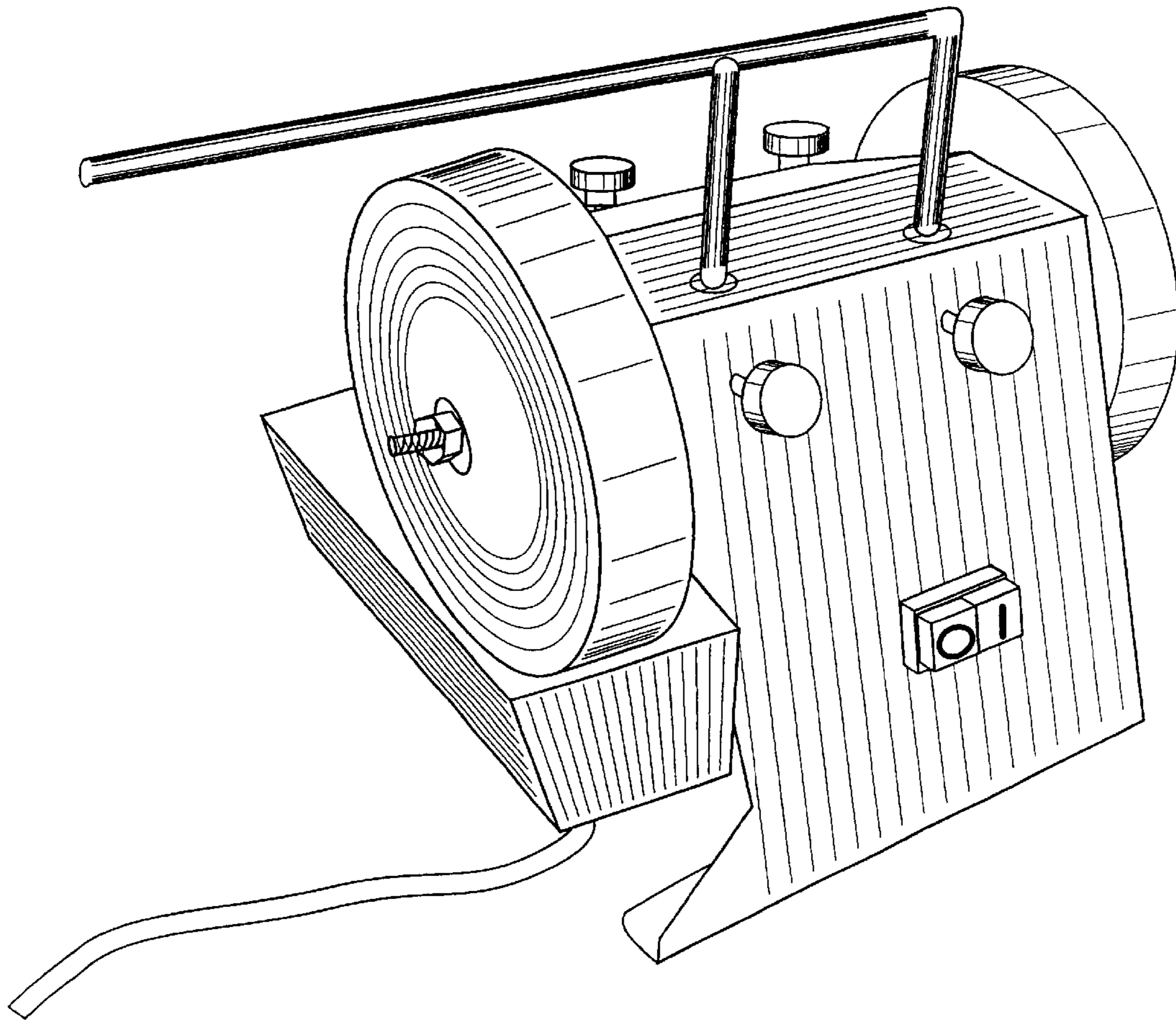


FIG. 5