



US00D505681S

(12) **United States Design Patent** (10) **Patent No.:** **US D505,681 S**
Rossman et al. (45) **Date of Patent:** **** May 31, 2005**

(54) **PUMP**

(75) Inventors: **Christopher A. Rossman**, Comstock Park, MI (US); **Timothy W. Sytsma**, Rockford, MI (US); **Jason E. Begin**, Rockford, MI (US)

(73) Assignee: **Attwood Corporation**, Lowell, MI (US)

(**) Term: **14 Years**

(21) Appl. No.: **29/187,560**

(22) Filed: **Aug. 1, 2003**

(51) **LOC (7) Cl.** **15-02**

(52) **U.S. Cl.** **D15/7**

(58) **Field of Search** D15/7-9; 417/321, 417/410, 413.1, 415, 423.3, 486, 521, 534, 423.1; 415/214.1, 148, 201; 15/327.2, 327.6

(56) **References Cited**

U.S. PATENT DOCUMENTS

1,875,419	A	*	9/1932	Claypool	415/183
2,912,261	A		11/1959	Meyerhoefer		
3,000,543	A		9/1961	Paul		
3,131,899	A		5/1964	Luhrs		
3,245,703	A		4/1966	Manly		
D229,235	S	*	11/1973	Bunch	D15/7
3,822,498	A		7/1974	Butler		
3,982,856	A		9/1976	Hehl		
4,013,383	A		3/1977	Rule		
4,017,937	A		4/1977	Hanold		
4,084,377	A		4/1978	Gaiser		
4,114,927	A		9/1978	Butcher		
4,324,532	A		4/1982	Knife		

(Continued)

OTHER PUBLICATIONS

- Rule Marine Products Catalog, 2000, pp. 1-40.
- The Rule Group Marine Products Catalog, date not apparent.
- The Rule Group Marine Products Catalog, 1993, pp. 1-32.
- The Rule Group Marine Products Catalog, date not apparent.

Primary Examiner—Ralf Seifert

(74) *Attorney, Agent, or Firm*—Price, Heneveld, Cooper, DeWitt & Litton, LLP.

(57) **CLAIM**

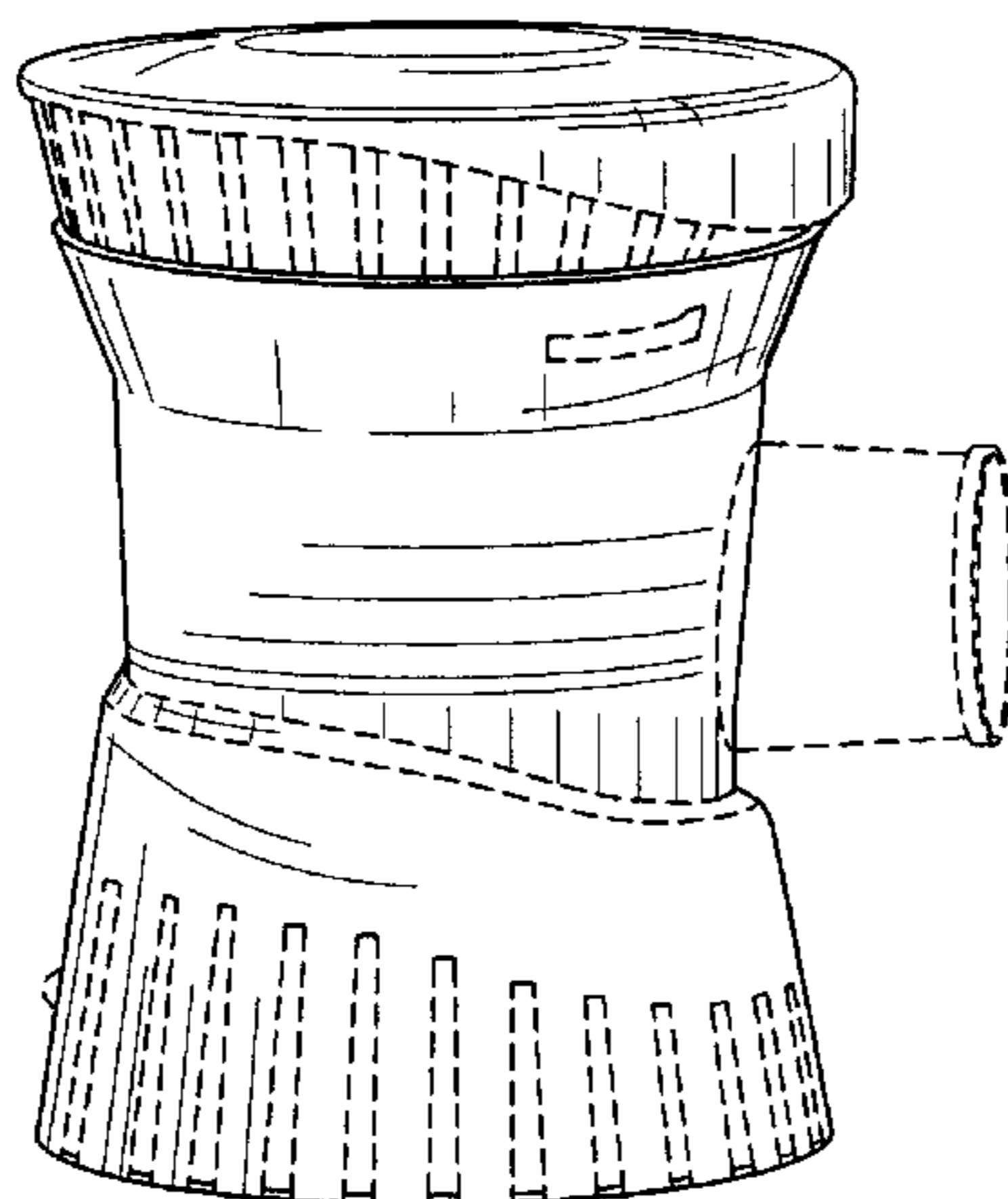
We claim the ornamental design for the pump, as shown.

DESCRIPTION

FIG. 1 is a perspective view showing the front, top, and side of a first embodiment of the pump of the present invention; FIG. 2 is an elevational view of a first side of the first embodiment of the pump of the present invention; FIG. 3 is an elevational view of the front of the first embodiment of the pump of the present invention; FIG. 4 is an elevational view of a second side of the first embodiment of the pump of the present invention; FIG. 5 is an elevational view of the rear of the first embodiment of the pump of the present invention; FIG. 6 is a plan view of the top of the first embodiment of the pump of the present invention; FIG. 7 is a plan view of the bottom of the first embodiment of the pump of the present invention; FIG. 8 is a perspective view showing the front, top, and side of a second embodiment of the pump of the present invention; FIG. 9 is an elevational view of a first side of the second embodiment of the pump of the present invention; FIG. 10 is an elevational view of the front of the second embodiment of the pump of the present invention; FIG. 11 is an elevational view of a second side of the second embodiment of the pump of the present invention; FIG. 12 is an elevational view of the rear of the second embodiment of the pump of the present invention; FIG. 13 is a plan view of the top of the second embodiment of the pump of the present invention; and, FIG. 14 is a plan view of the bottom of the second embodiment of the pump of the present invention.

The broken lines shown are for illustrative purposes only and form no part of the claimed design.

1 Claim, 4 Drawing Sheets



U.S. PATENT DOCUMENTS

4,424,007 A	1/1984	Mehrens et al.	5,538,406 A	7/1996	Siegal et al.
4,734,016 A	3/1988	Sailer	5,833,437 A	11/1998	Kurth et al.
4,758,023 A	7/1988	Vermillion	5,833,441 A	11/1998	Danish et al.
4,880,364 A	11/1989	Berfield et al.	D401,944 S *	12/1998	Campbell D15/7
4,898,518 A	2/1990	Hubbard et al.	5,960,819 A	10/1999	Weissinger et al.
4,904,166 A	2/1990	Wasemann	6,045,340 A	4/2000	Batchelder et al.
4,913,620 A	4/1990	Kusiak et al.	6,174,146 B1	1/2001	Lacy et al.
4,989,905 A	2/1991	Rajecki	6,276,908 B1	8/2001	Batchelder et al.
5,044,883 A	9/1991	Neueder	6,368,010 B1	4/2002	Marchini et al.
D329,650 S *	9/1992	Whitley, II D15/7	6,386,596 B1	5/2002	Olson
5,184,946 A	2/1993	Sato	6,390,780 B1	5/2002	Batchelder et al.
5,232,341 A	8/1993	Shier et al.	D464,362 S *	10/2002	Tsai D15/7
5,356,105 A	10/1994	Andrews	D471,561 S *	3/2003	Kohsaka D15/7
5,404,614 A	4/1995	Stephens	D482,699 S *	11/2003	Graf et al. D15/7

* cited by examiner

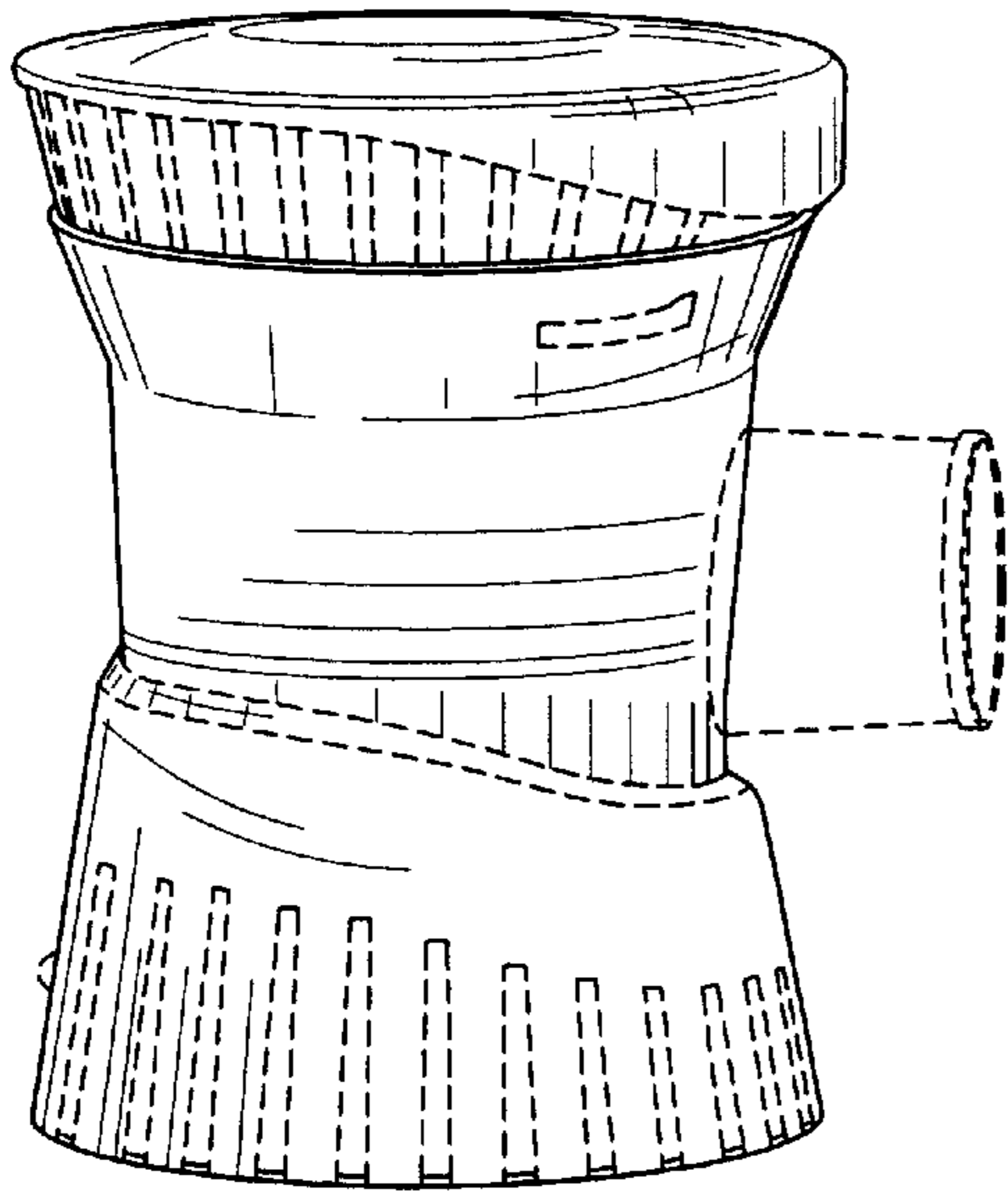


FIG. 1

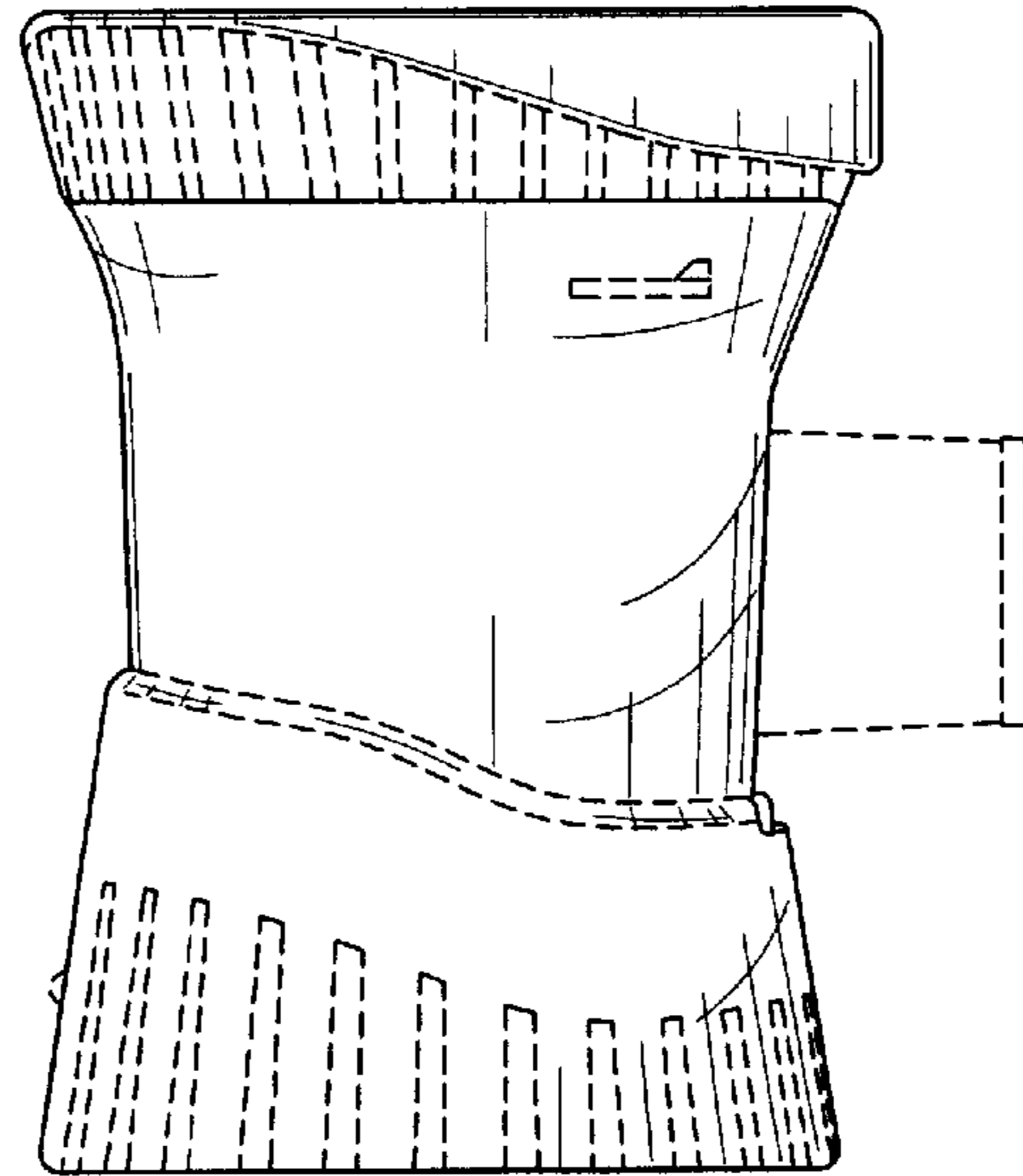


FIG. 2

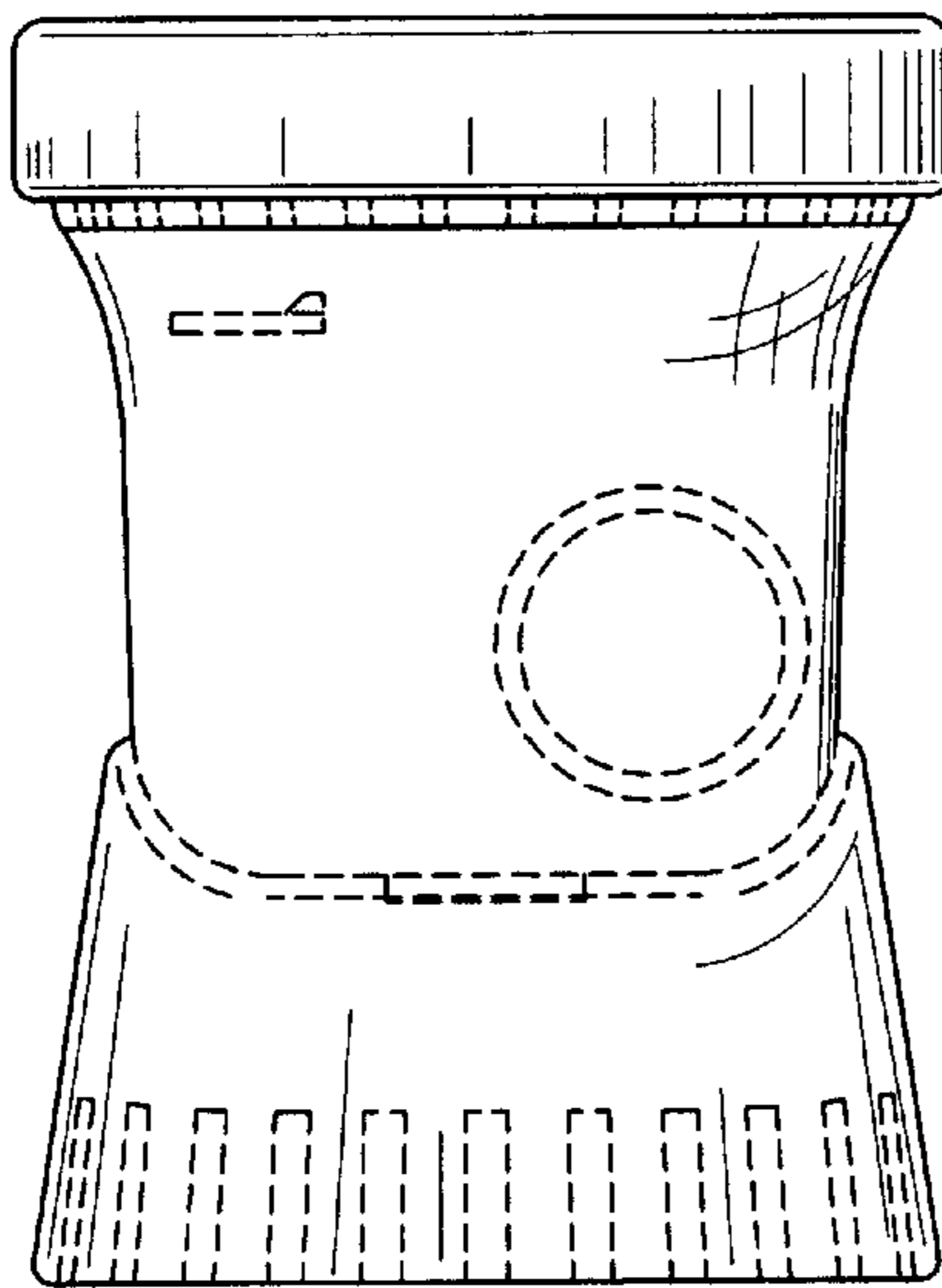


FIG. 3

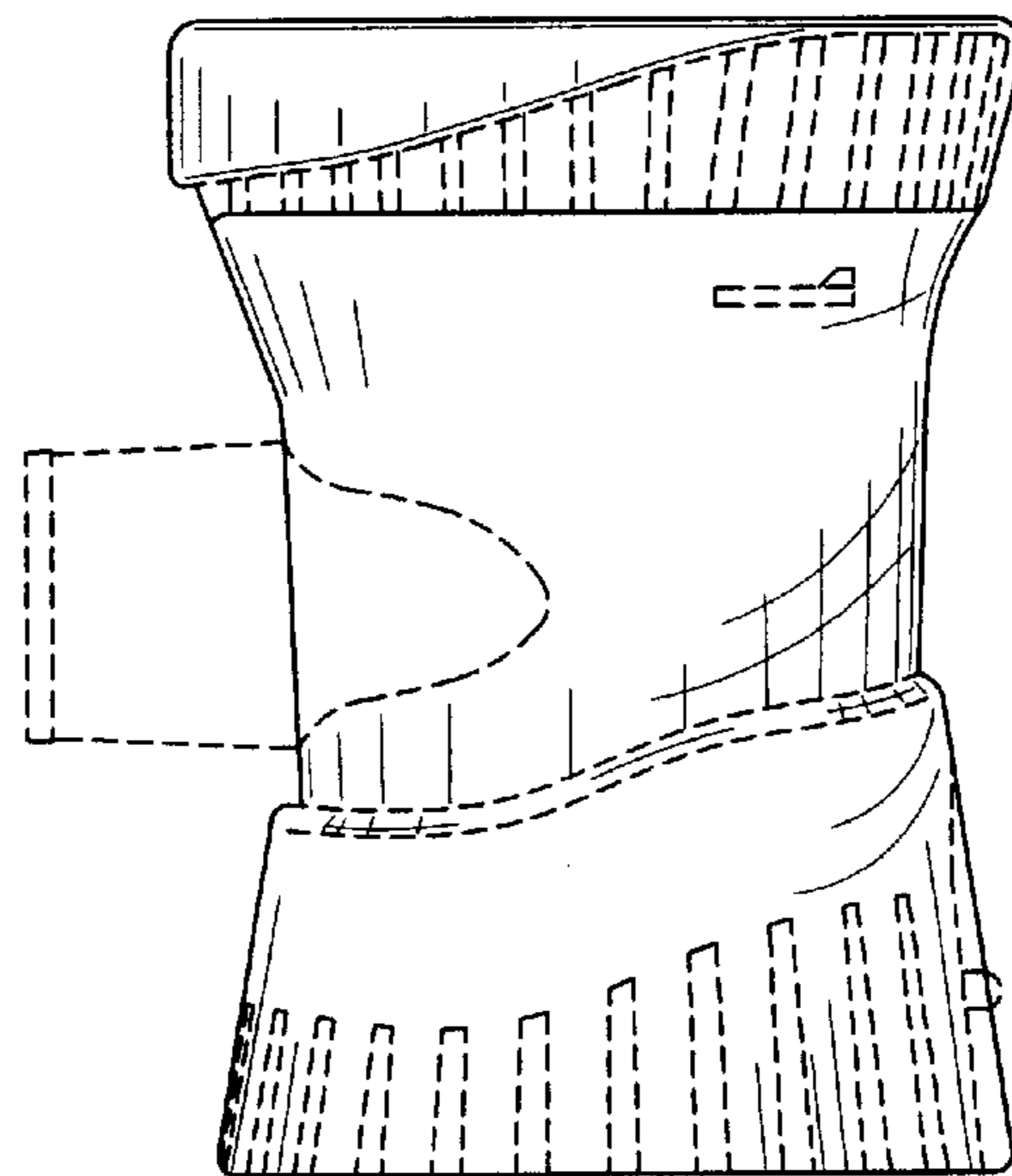


FIG. 4

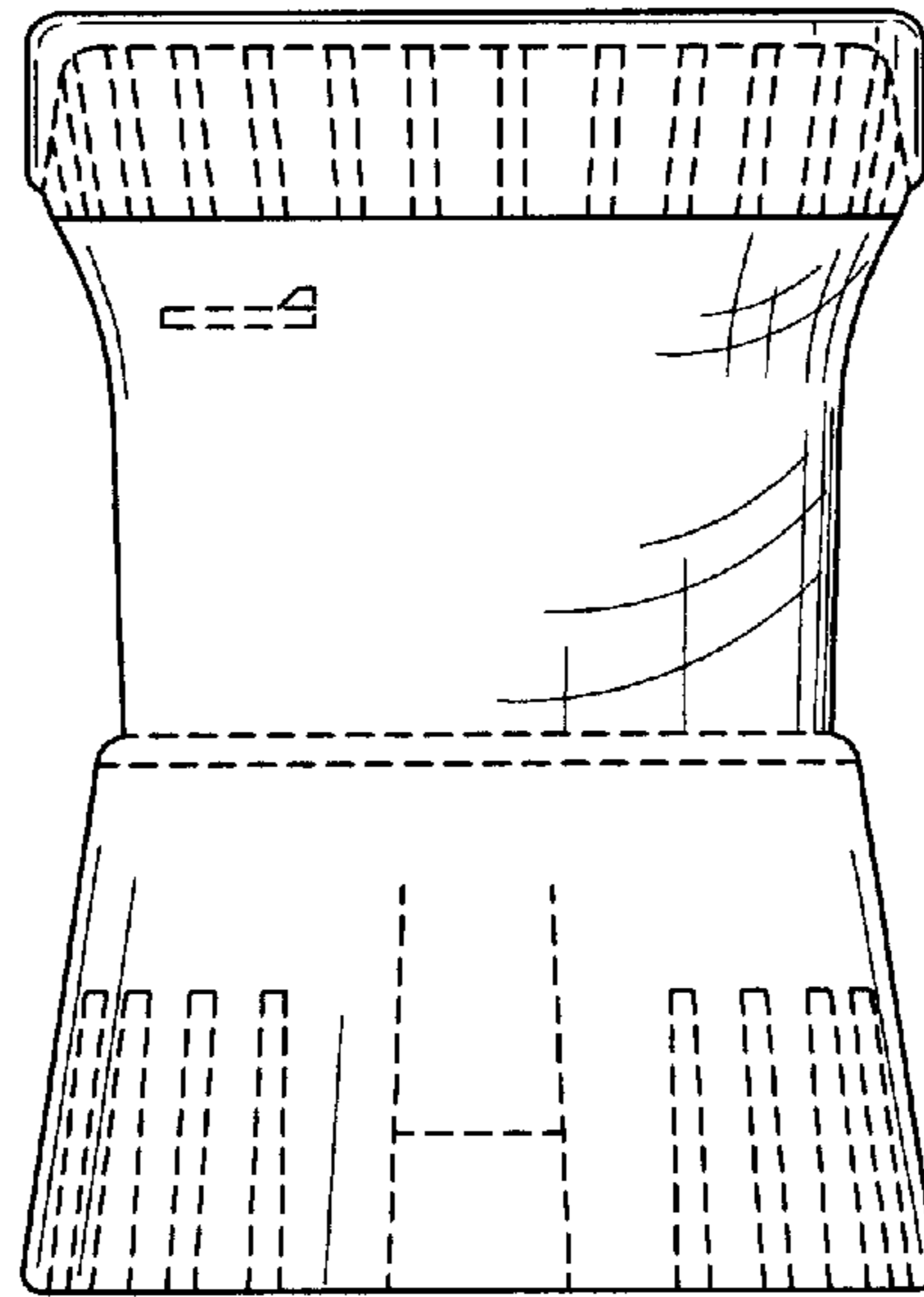


FIG. 5

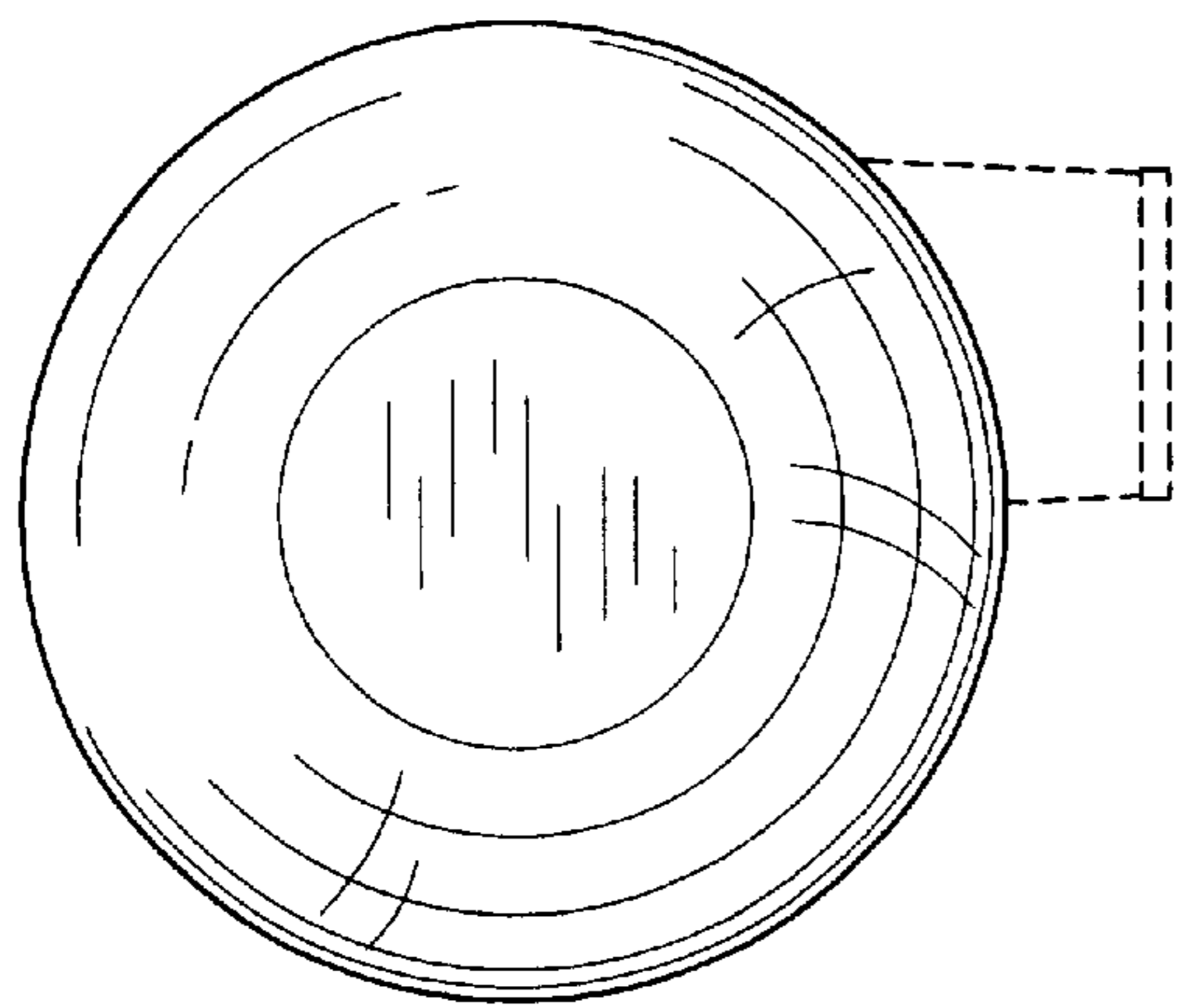


FIG. 6

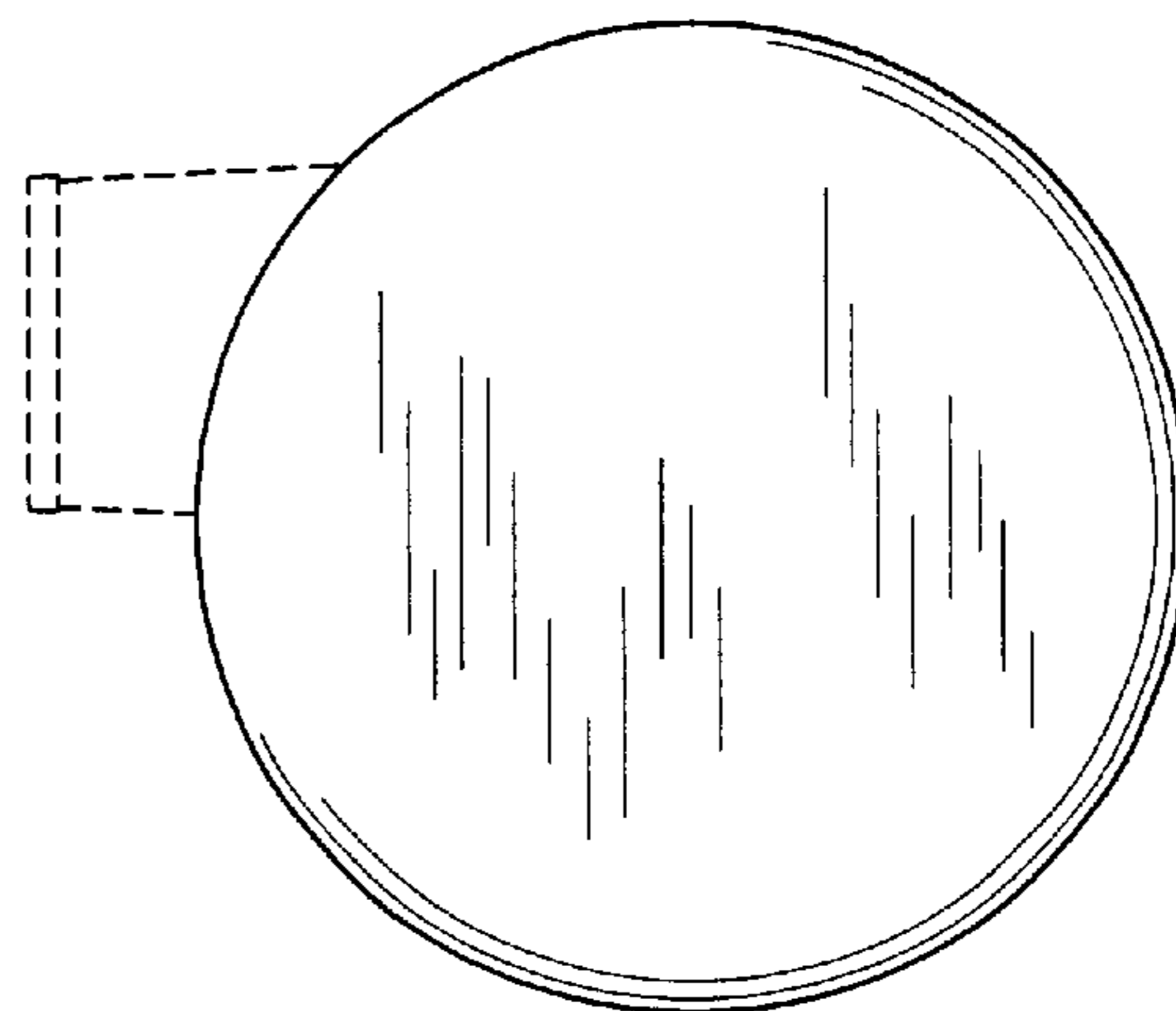


FIG. 7

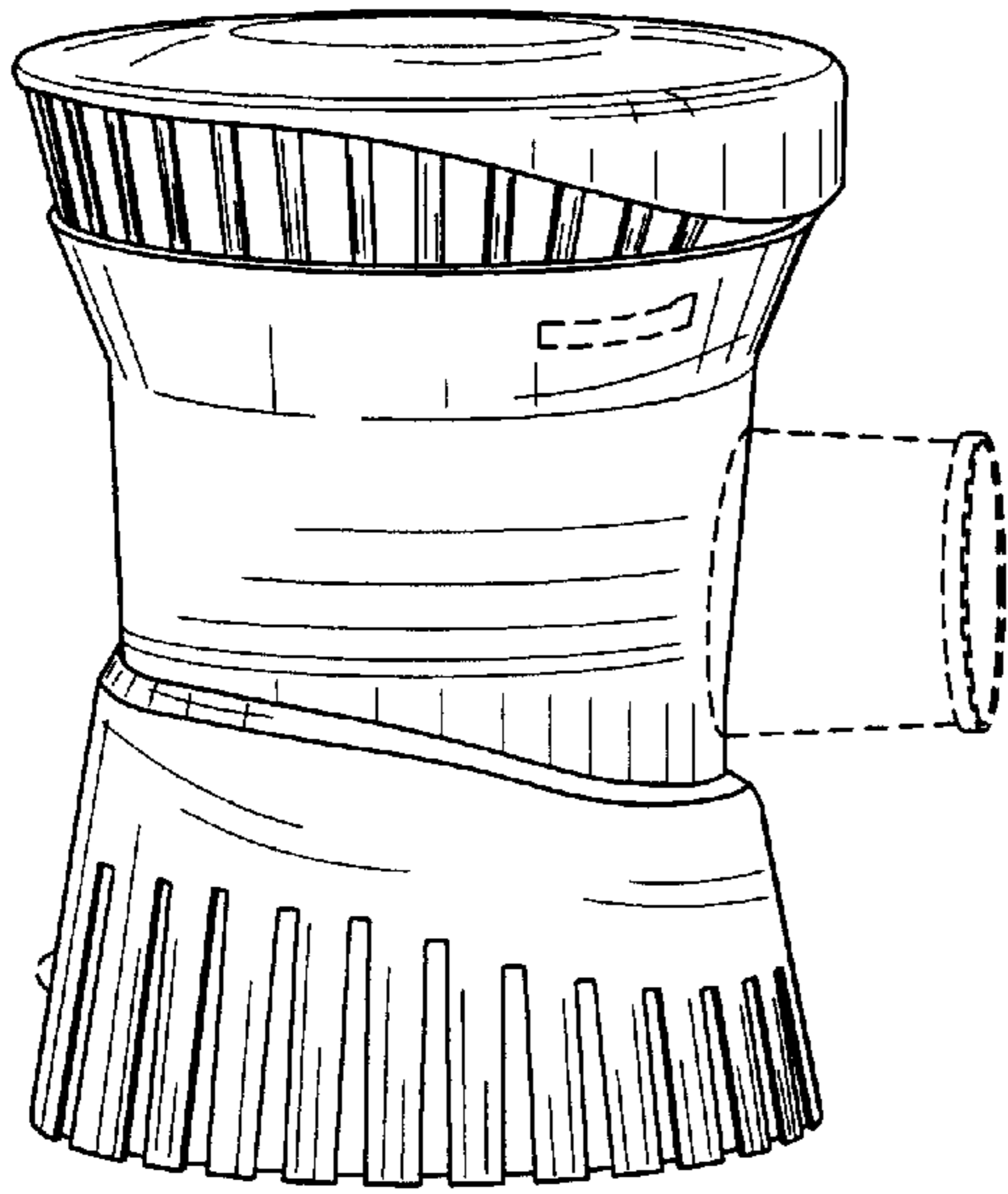


FIG. 8

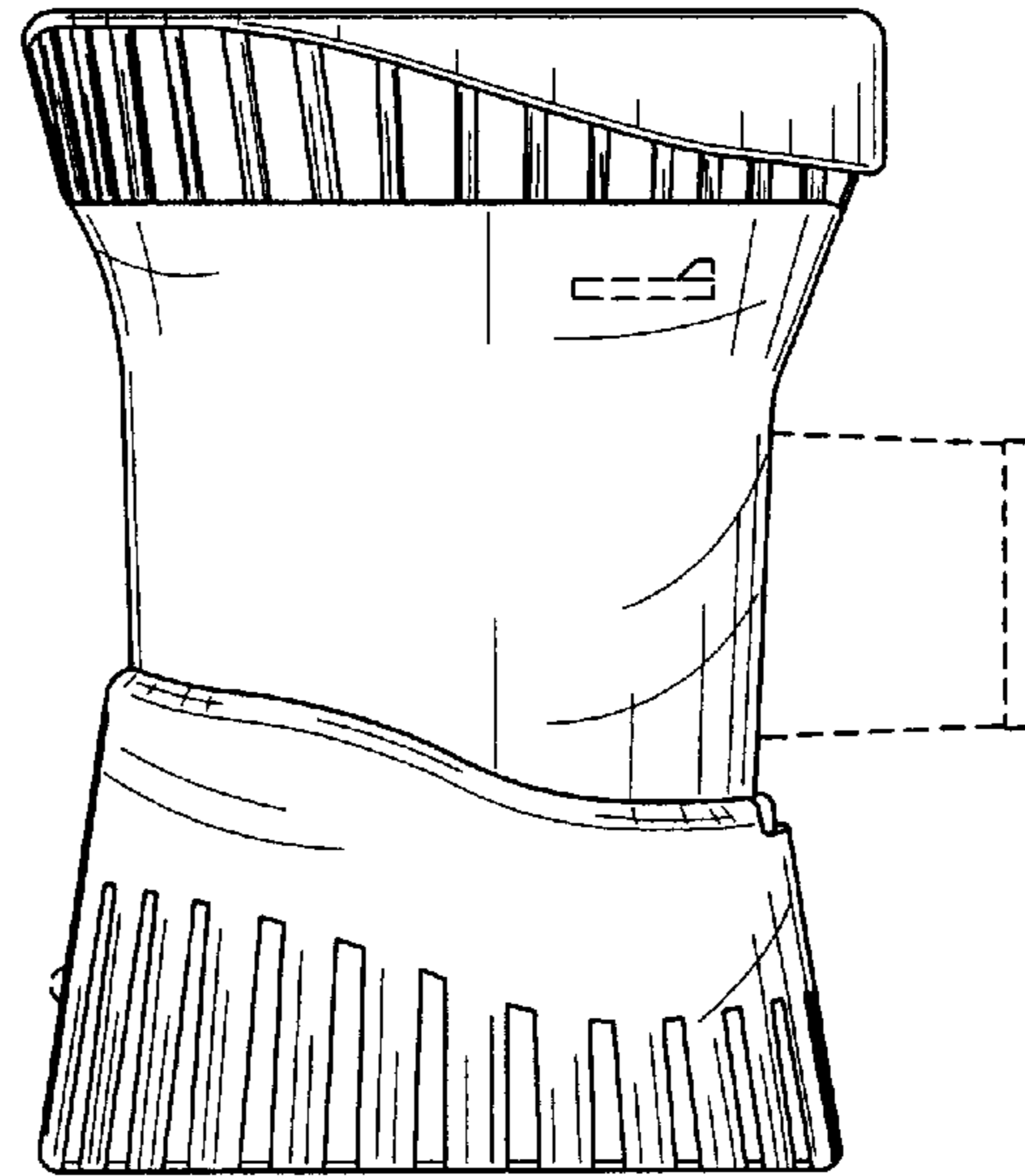


FIG. 9

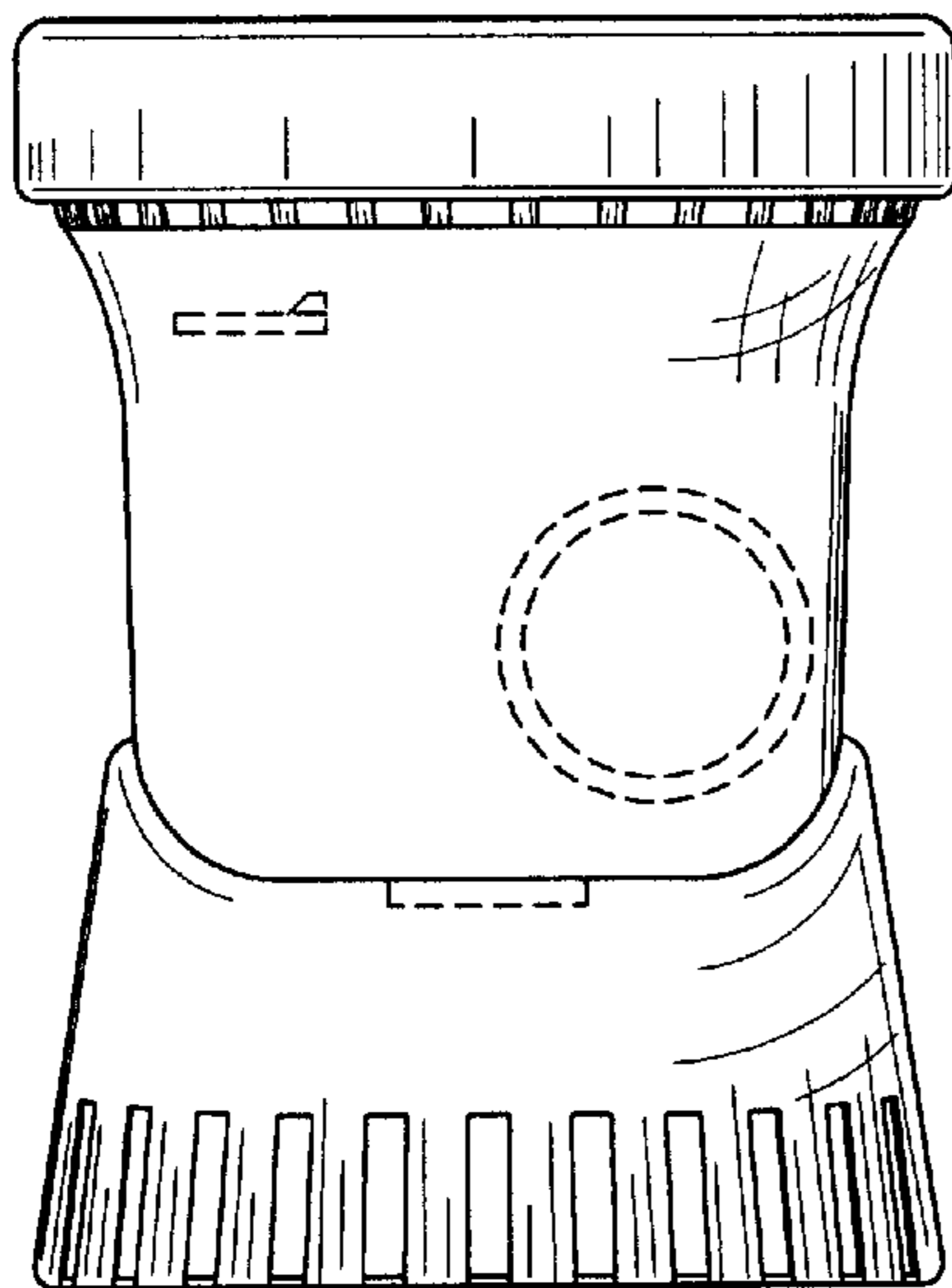


FIG. 10

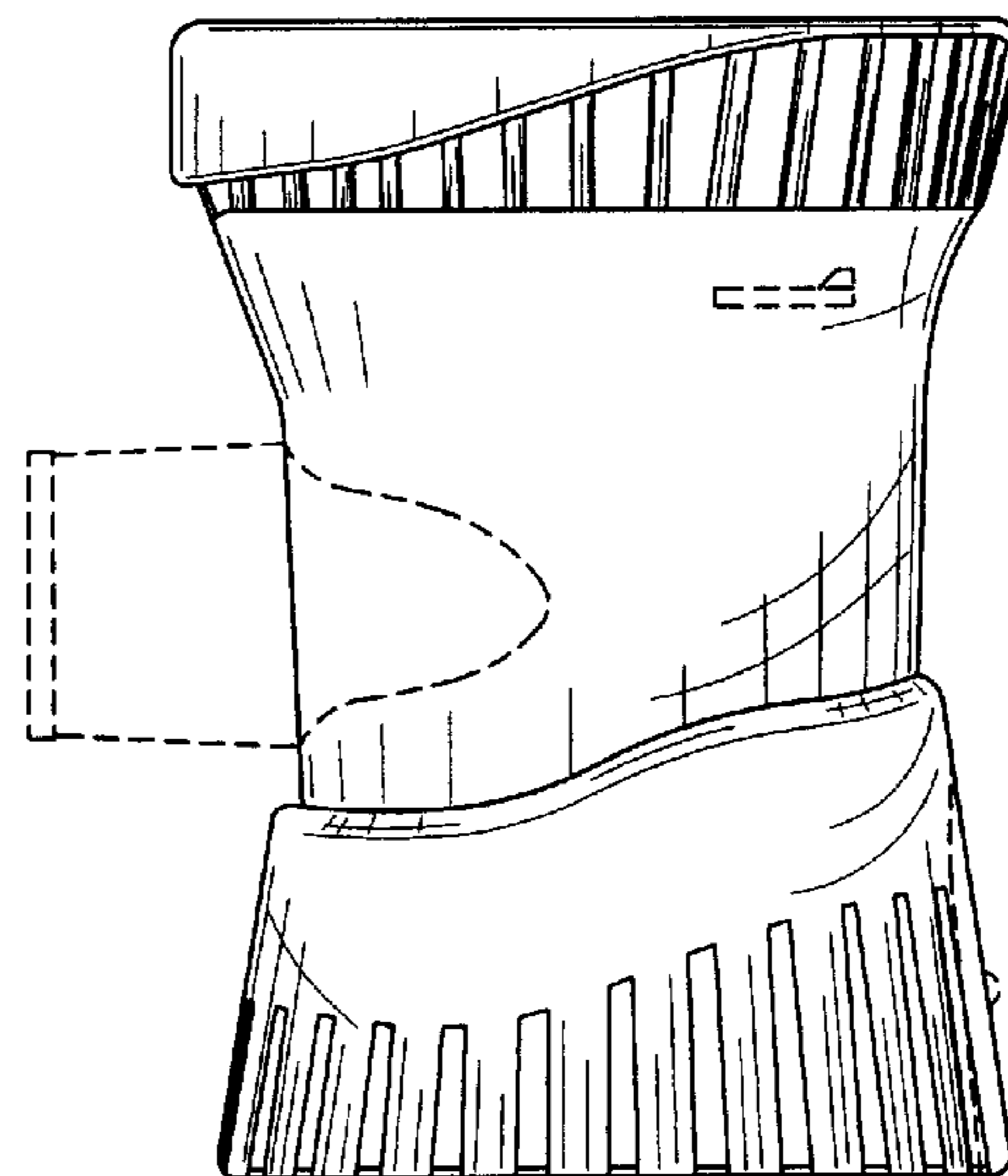


FIG. 11

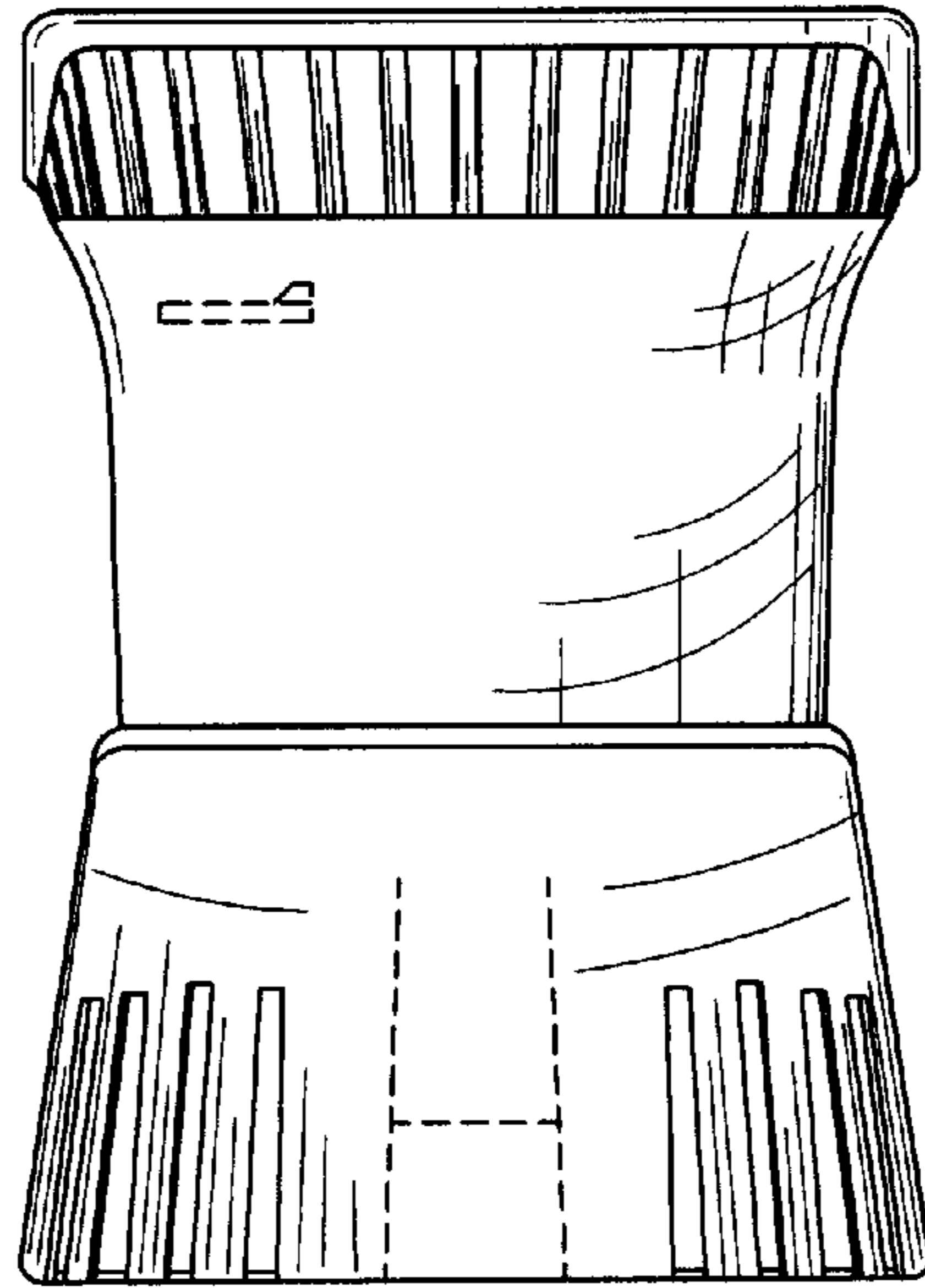


FIG. 12

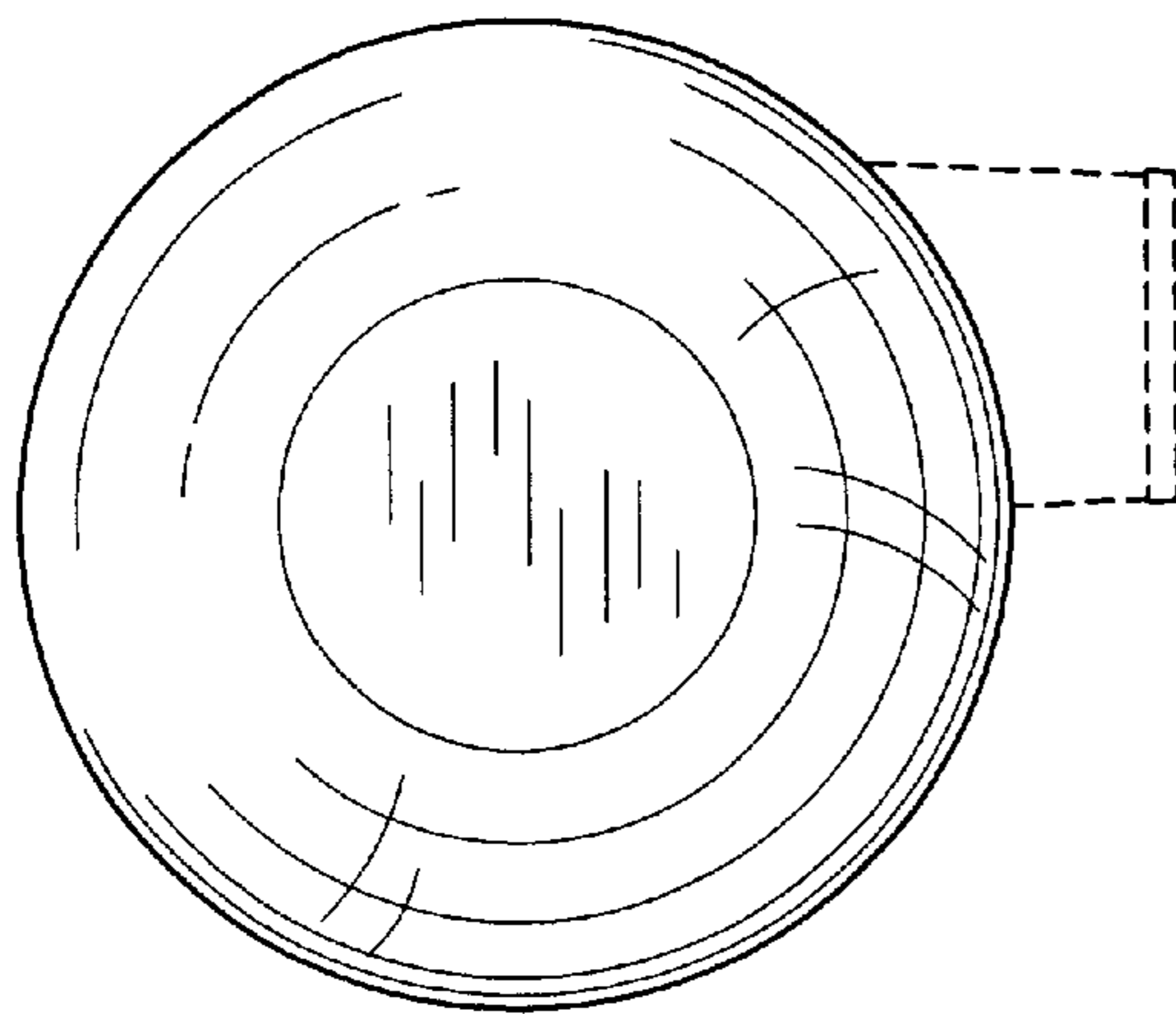


FIG. 13

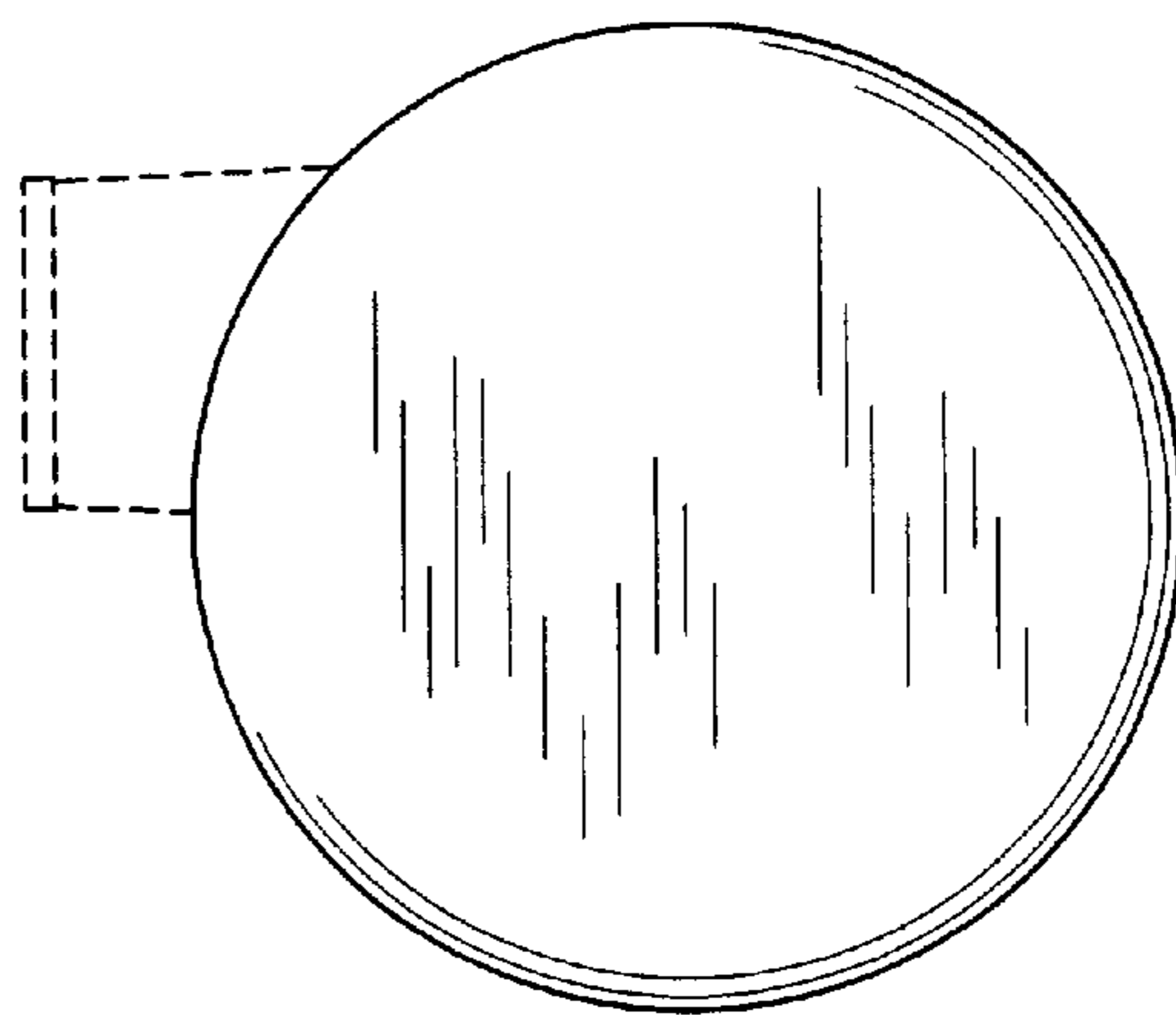


FIG. 14