

US00D505676S

(12) **United States Design Patent**
Porter et al.

(10) **Patent No.:** **US D505,676 S**
(45) **Date of Patent:** **** May 31, 2005**

(54) **PORTABLE TOUCH SCREEN CONTROLLER**

D464,948 S 10/2002 Vasquez et al.
D472,898 S * 4/2003 Adams D14/387

(75) Inventors: **Jomichael Porter**, Addison, TX (US);
David C. Singer, Plano, TX (US);
Ronnie D. Rowe, Garland, TX (US)

* cited by examiner

Primary Examiner—Freda S. Nunn
(74) *Attorney, Agent, or Firm*—Gardere Wynne Sewell LLP

(73) Assignee: **AMX Corporation**, Richardson, TX (US)

(57) **CLAIM**

(**) Term: **14 Years**

The ornamental design for a portable touch screen controller, as shown and described.

(21) Appl. No.: **29/189,327**

DESCRIPTION

(22) Filed: **Sep. 3, 2003**

(51) **LOC (7) Cl.** **14-02**

(52) **U.S. Cl.** **D14/388; D14/341**

(58) **Field of Search** D14/341-346,
D14/218, 371, 374, 375, 387-389; D19/59,
60; 345/104, 156, 168, 173; 178/18.03;
349/12

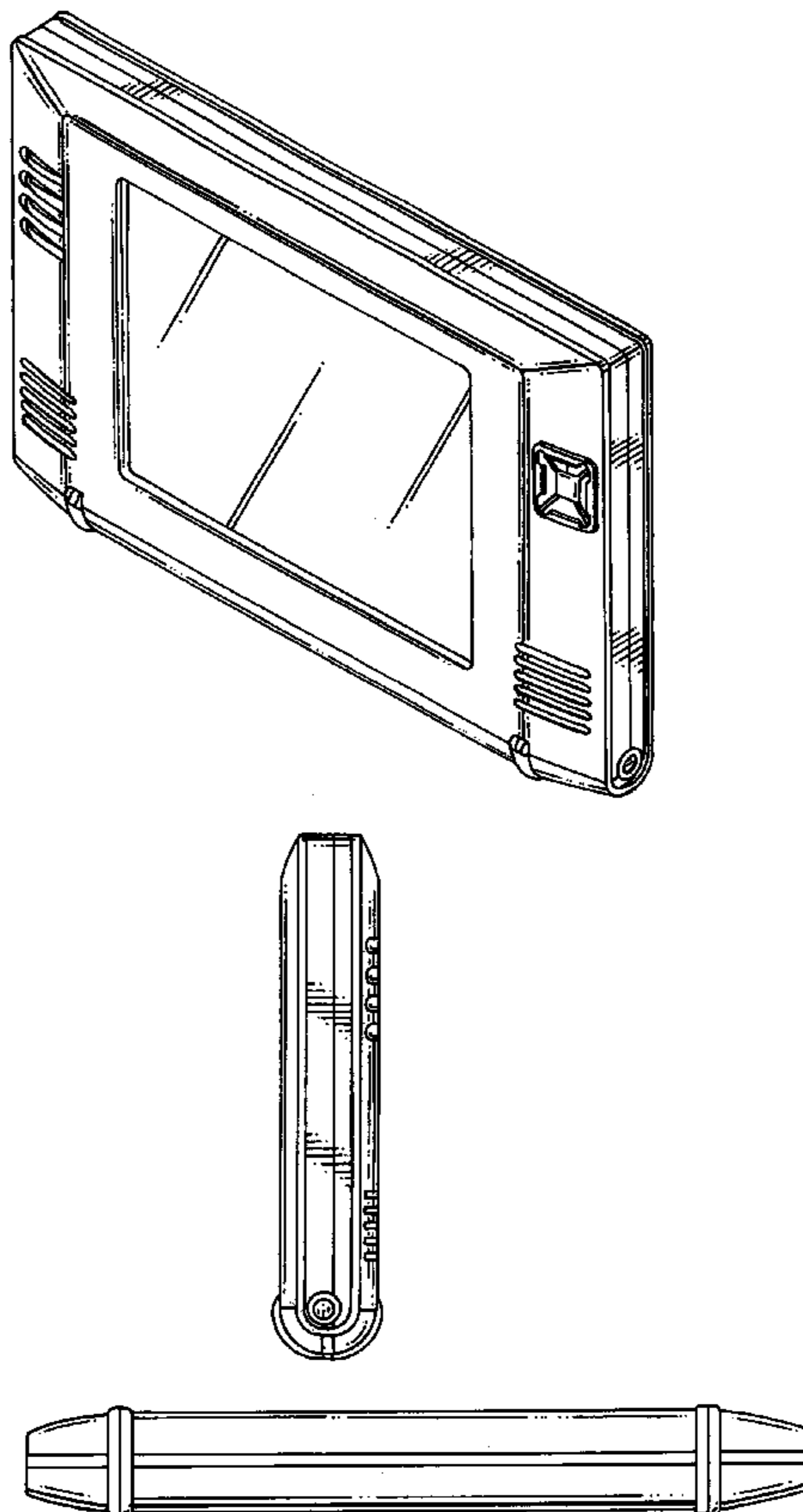
FIG. 1 is a perspective view of a portable touch screen controller in accordance with our invention;
FIG. 2 is a front elevation view of the portable touch screen controller shown in FIG. 1;
FIG. 3 is a rear elevation view of the portable touch screen controller shown in FIG. 1;
FIG. 4 is a left side elevation view of the portable touch screen controller shown in FIG. 1;
FIG. 5 is a right side elevation view of the portable touch screen controller shown in FIG. 1;
FIG. 6 is a top plan view of the portable touch screen controller shown in FIG. 1; and,
FIG. 7 is a bottom plan view of the portable touch screen controller shown in FIG. 1.

(56) **References Cited**

U.S. PATENT DOCUMENTS

D400,539 S * 11/1998 Hippen D14/218
D412,897 S * 8/1999 Attwood et al. D14/388
D416,910 S 11/1999 Vasquez
D453,333 S * 2/2002 Chen D14/374
D464,328 S 10/2002 Vasquez et al.

1 Claim, 3 Drawing Sheets



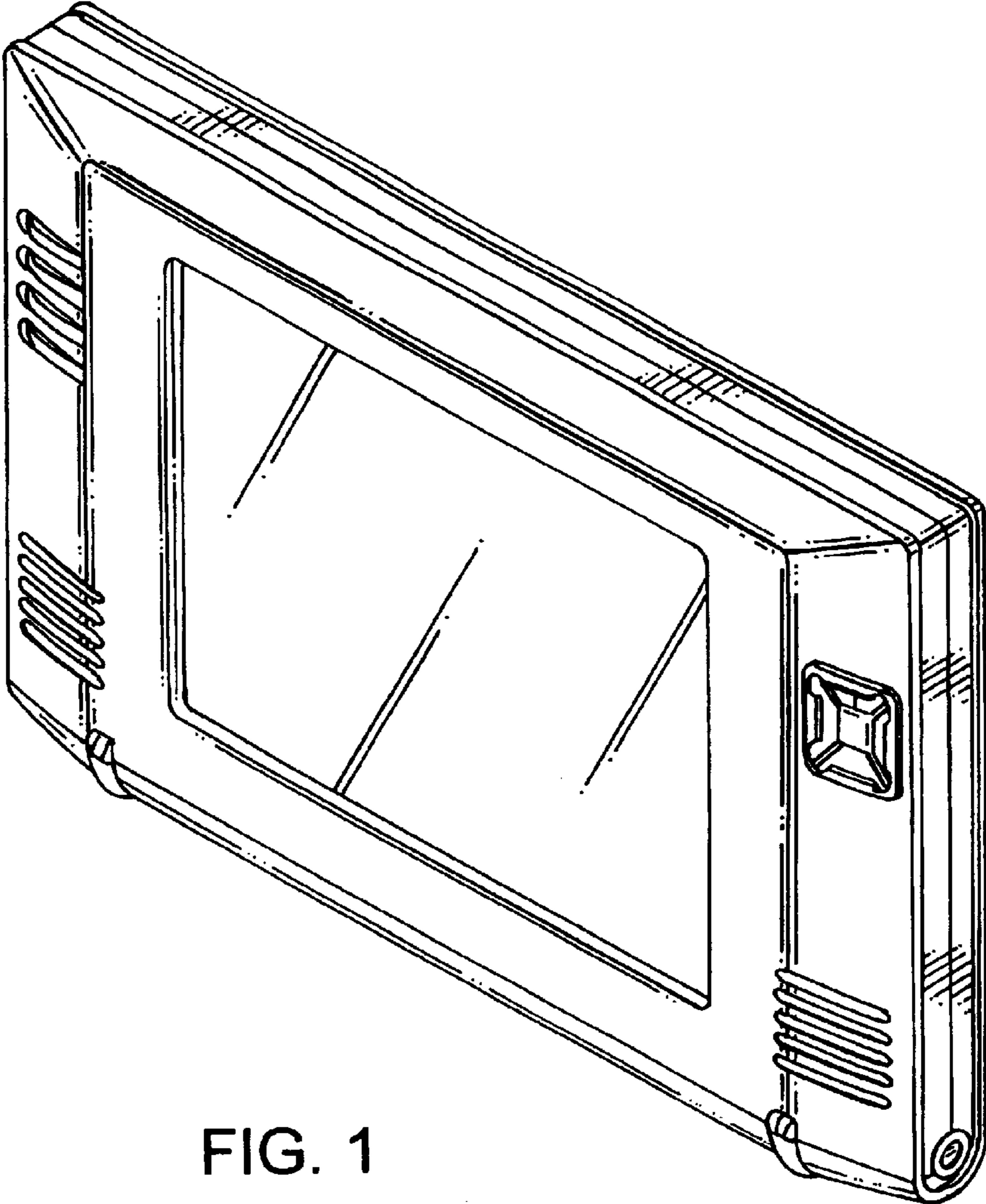


FIG. 1

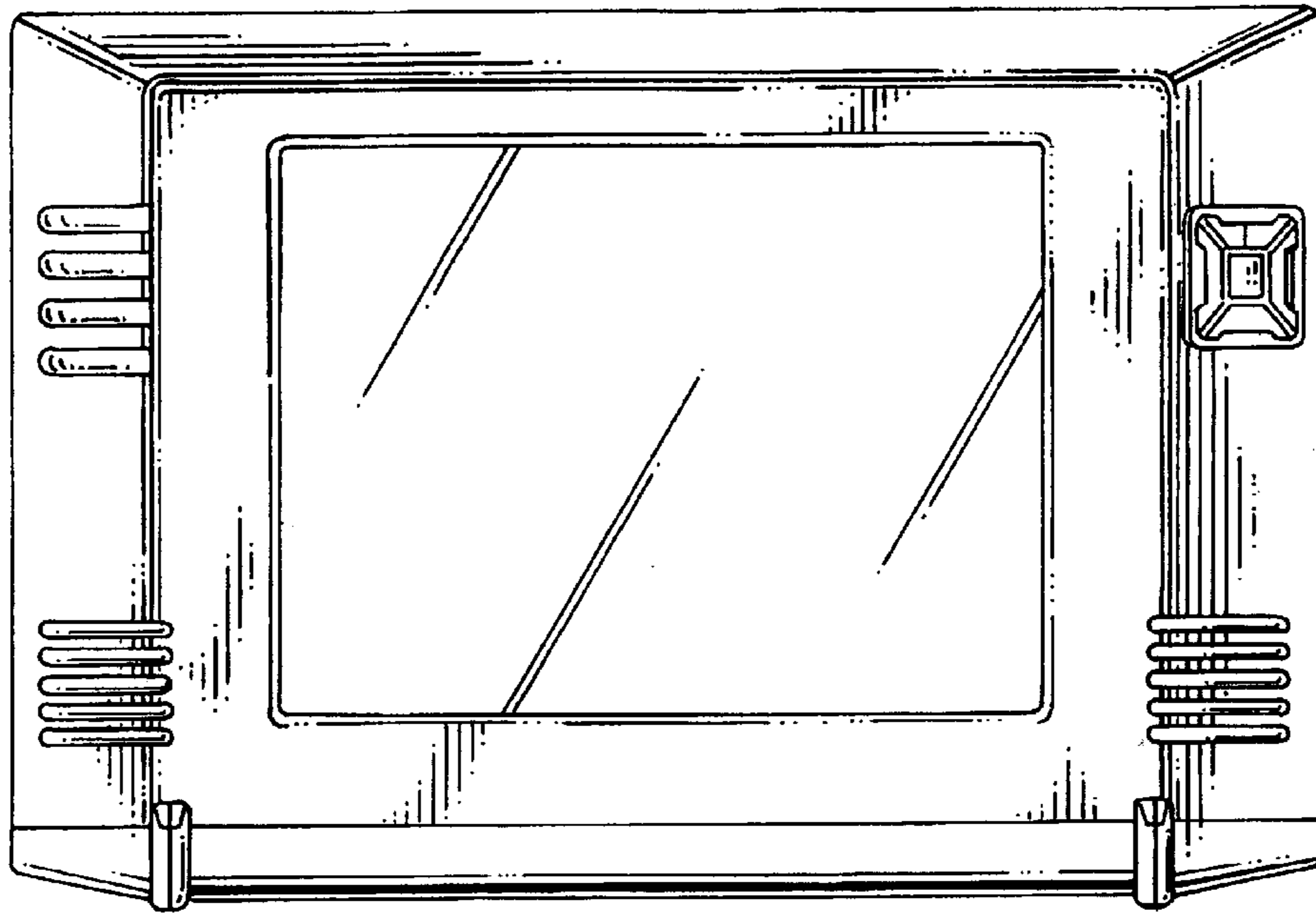


FIG. 2

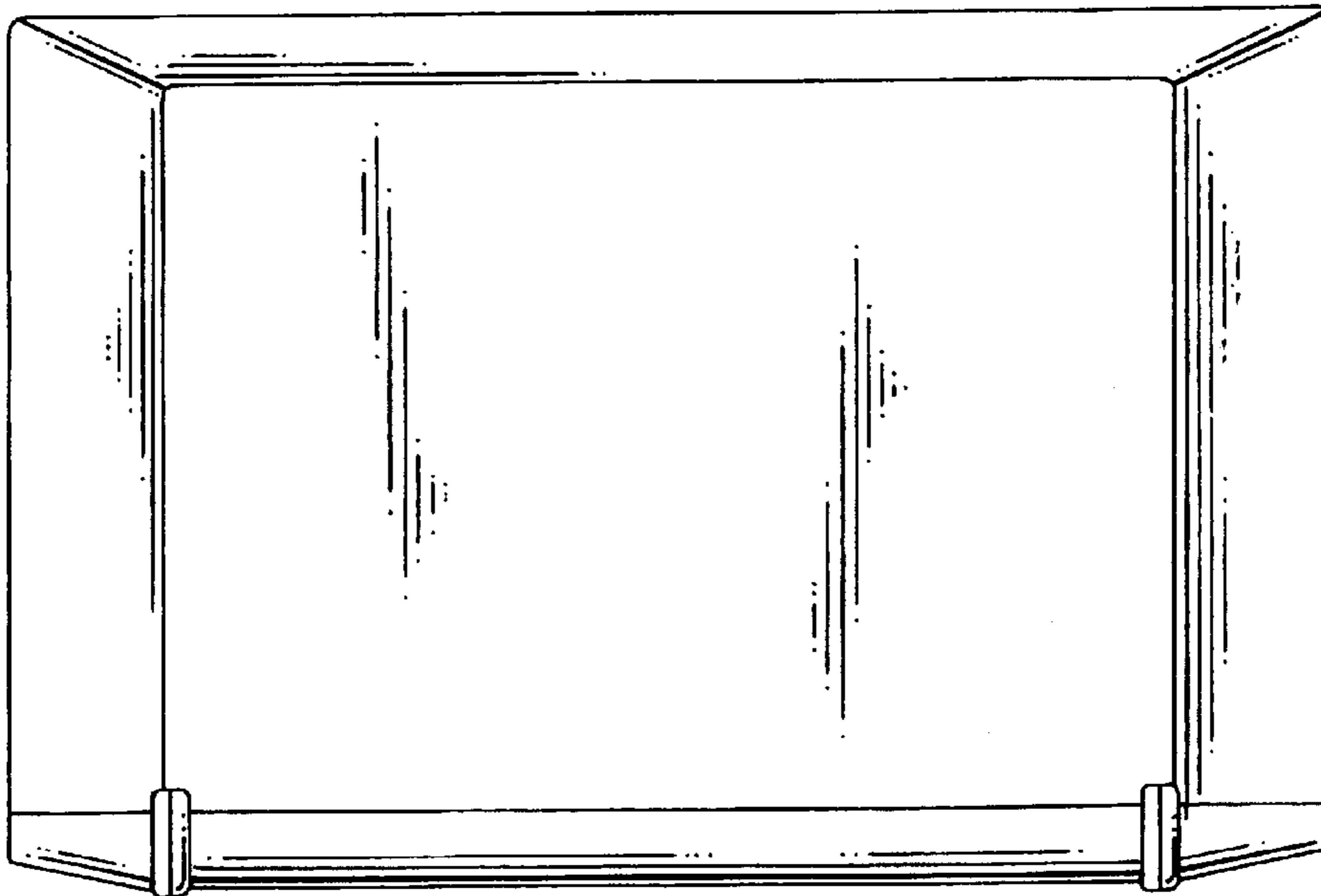


FIG. 3

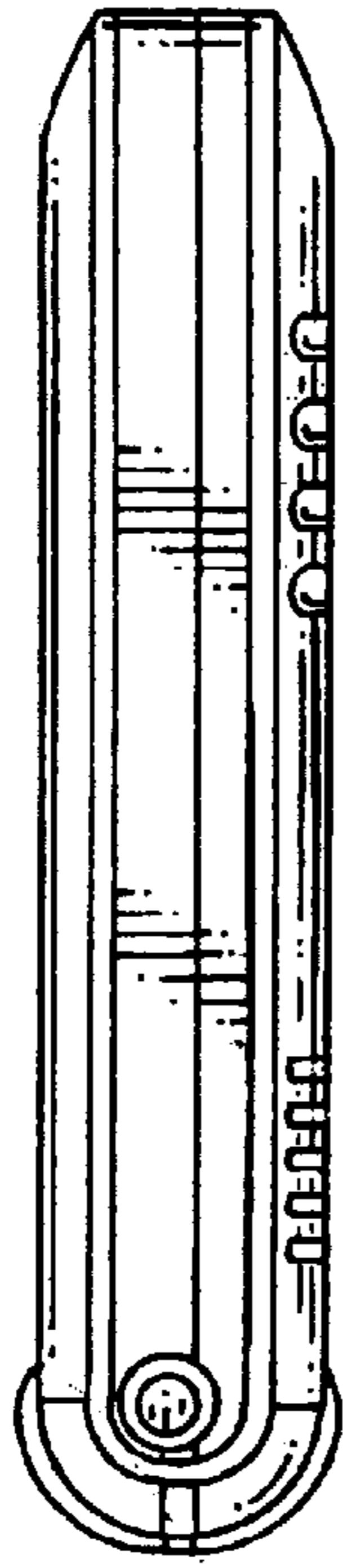


FIG. 4

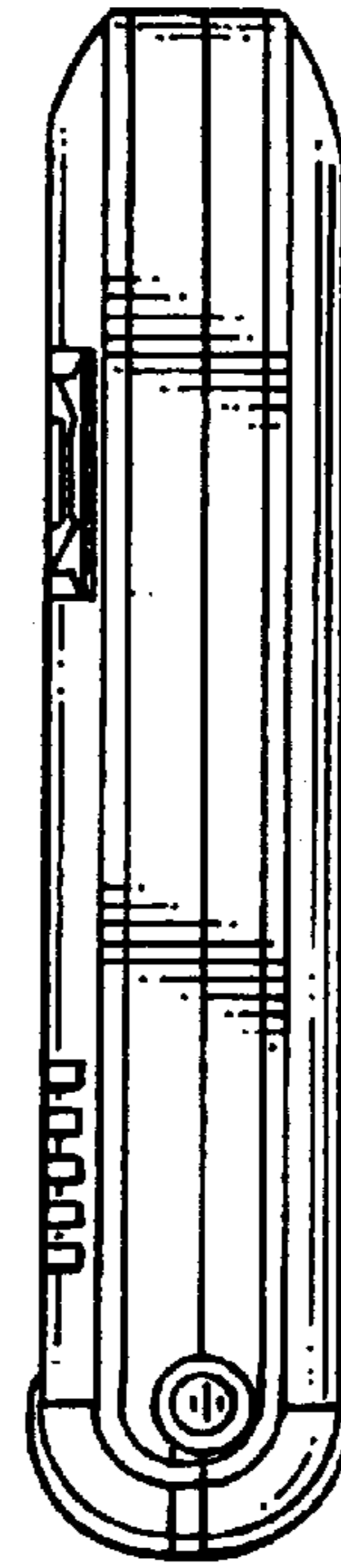


FIG. 5

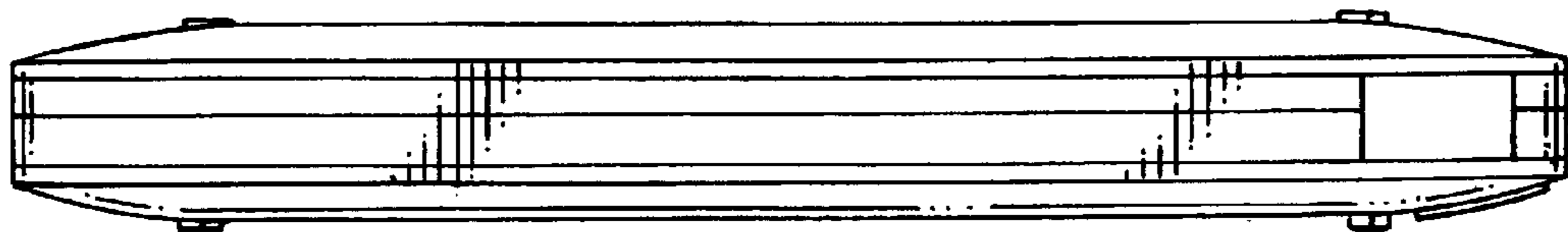


FIG. 6

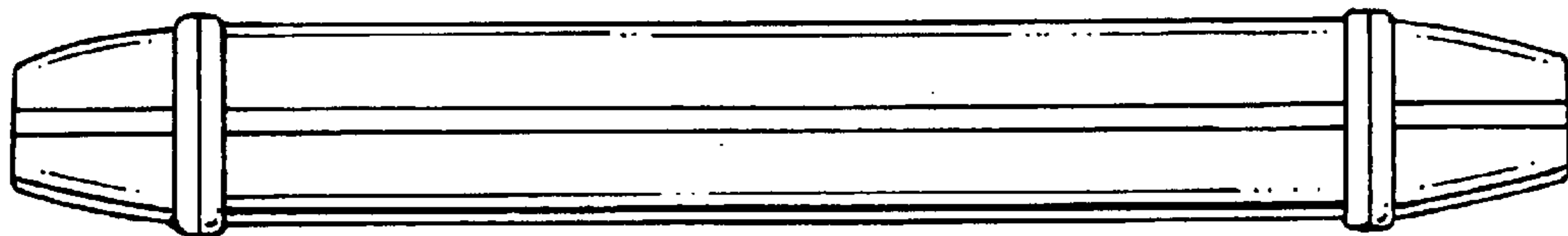


FIG. 7