

US00D505675S

(12) **United States Design Patent**  
**Chen**

(10) **Patent No.:** **US D505,675 S**

(45) **Date of Patent:** **\*\* May 31, 2005**

(54) **EXTERNAL ENCLOSURE**

(75) **Inventor:** **Yi-Hung Chen, Taipei (TW)**

(73) **Assignee:** **A-TEC Subsystem Inc., Taipei (TW)**

(\*\*) **Term:** **14 Years**

(21) **Appl. No.:** **29/189,889**

(22) **Filed:** **Sep. 12, 2003**

(51) **LOC (7) Cl.** ..... **14-02**

(52) **U.S. Cl.** ..... **D14/348**

(58) **Field of Search** ..... D14/348, 356,  
D14/240, 244; 312/208.1; 360/99.12, 97.01,  
97.02; 361/694, 696, 679, 686, 724, 728,  
748, 752; D13/184; 379/419, 420, 428.01,  
437, 441, 442

(56) **References Cited**

**U.S. PATENT DOCUMENTS**

5,317,462 A \* 5/1994 Kakizaki et al. .... 360/97.02  
D374,222 S \* 10/1996 Brandt ..... D14/471  
D400,512 S \* 11/1998 Korhonen ..... D13/184

D419,966 S \* 2/2000 Mowery et al. .... D13/184  
D472,547 S \* 4/2003 Dendou et al. .... D14/242  
D483,725 S \* 12/2003 Thompson et al. .... D13/184  
D485,830 S \* 1/2004 Chen ..... D14/240

\* cited by examiner

*Primary Examiner*—Stella Reid  
*Assistant Examiner*—Selina Sikder

(57) **CLAIM**

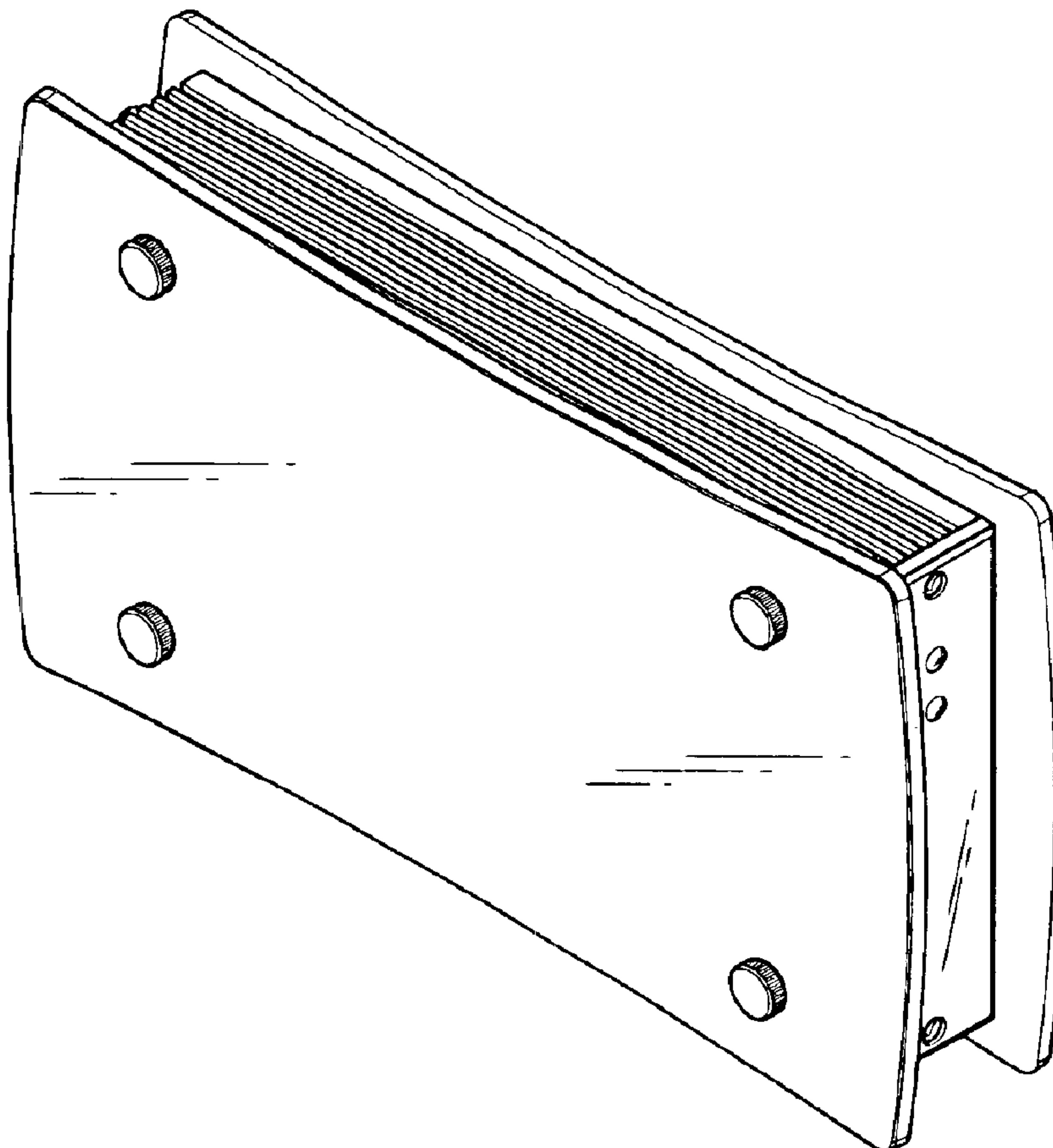
The ornamental design for an external enclosure, as shown and described.

**DESCRIPTION**

FIG. 1 is a perspective view of an external enclosure;  
FIG. 2 is a front elevation thereof;  
FIG. 3 is a rear elevation thereof;  
FIG. 4 is a left side elevation thereof;  
FIG. 5 is a right side elevation thereof;  
FIG. 6 is a top plane view thereof; and,  
FIG. 7 is a bottom view thereof.

The broken line showing of the environment is for illustrative purpose only and forms no part of the claimed design.

**1 Claim, 4 Drawing Sheets**



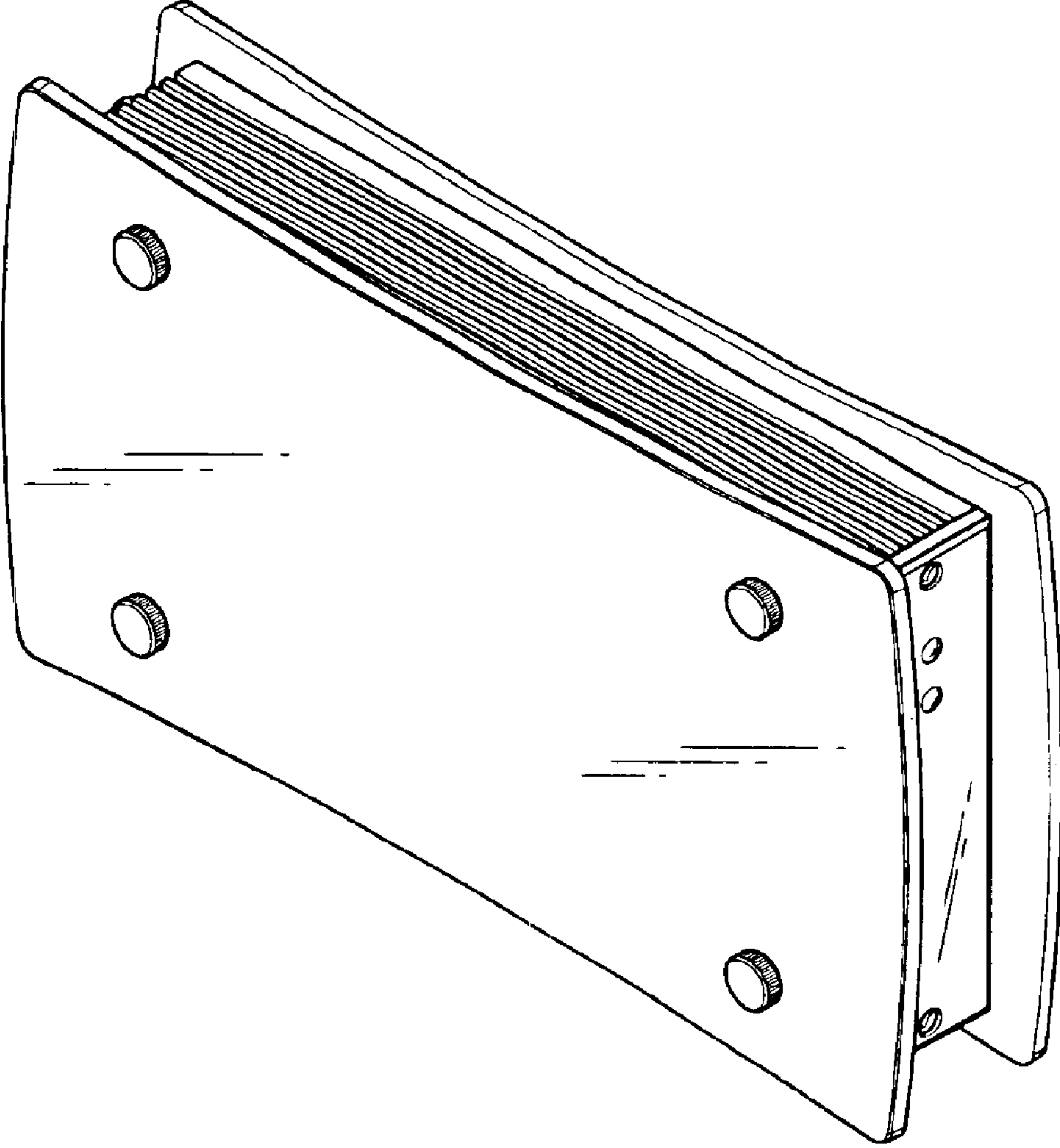


Fig. 1

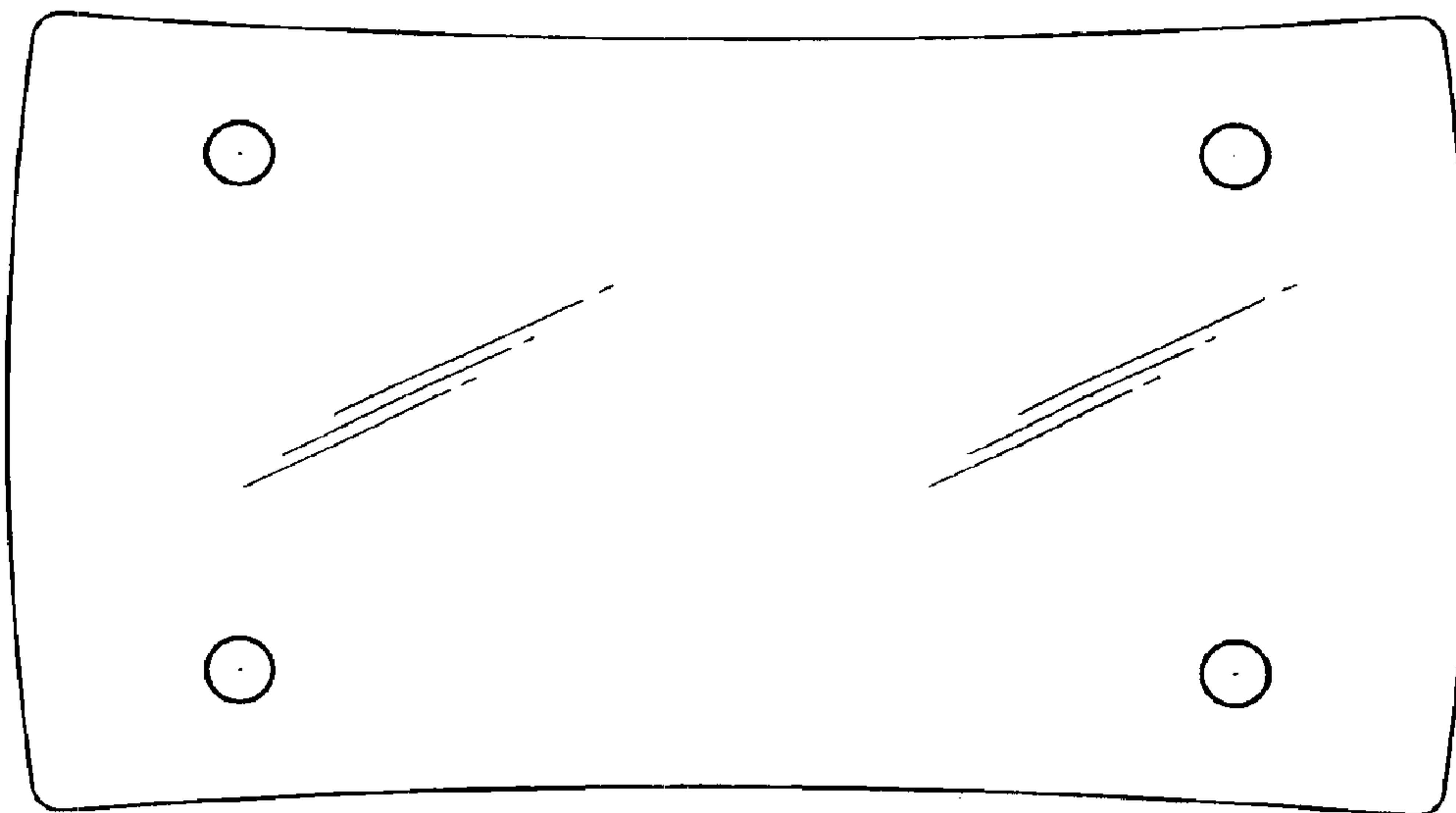


Fig. 2

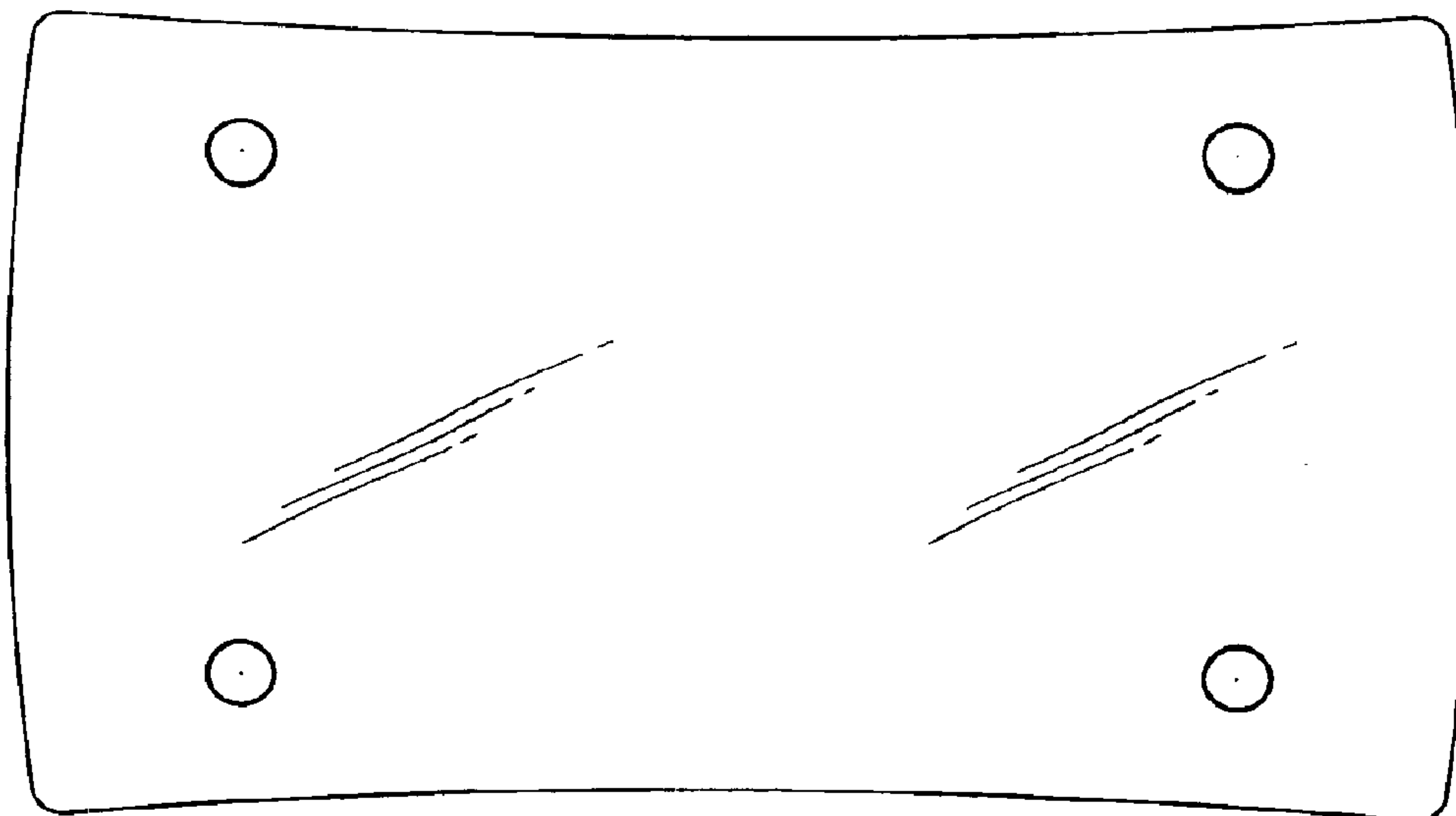


Fig. 3

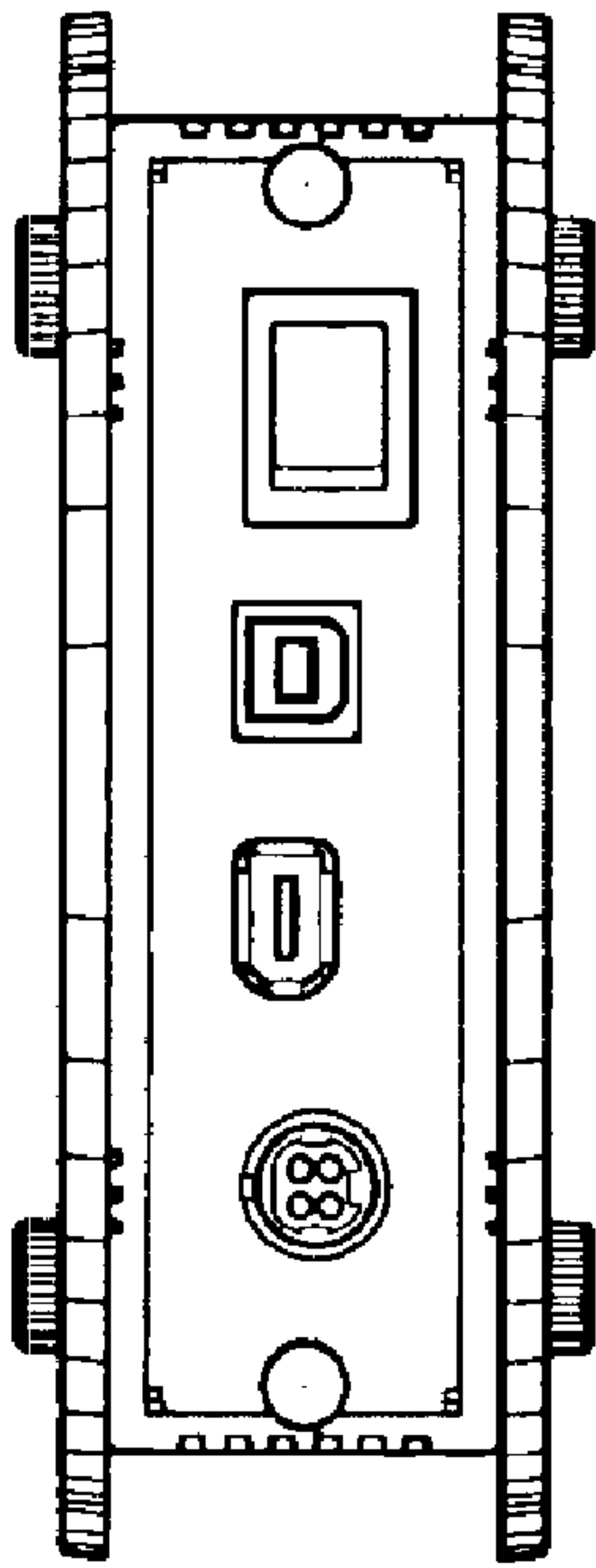


Fig. 4

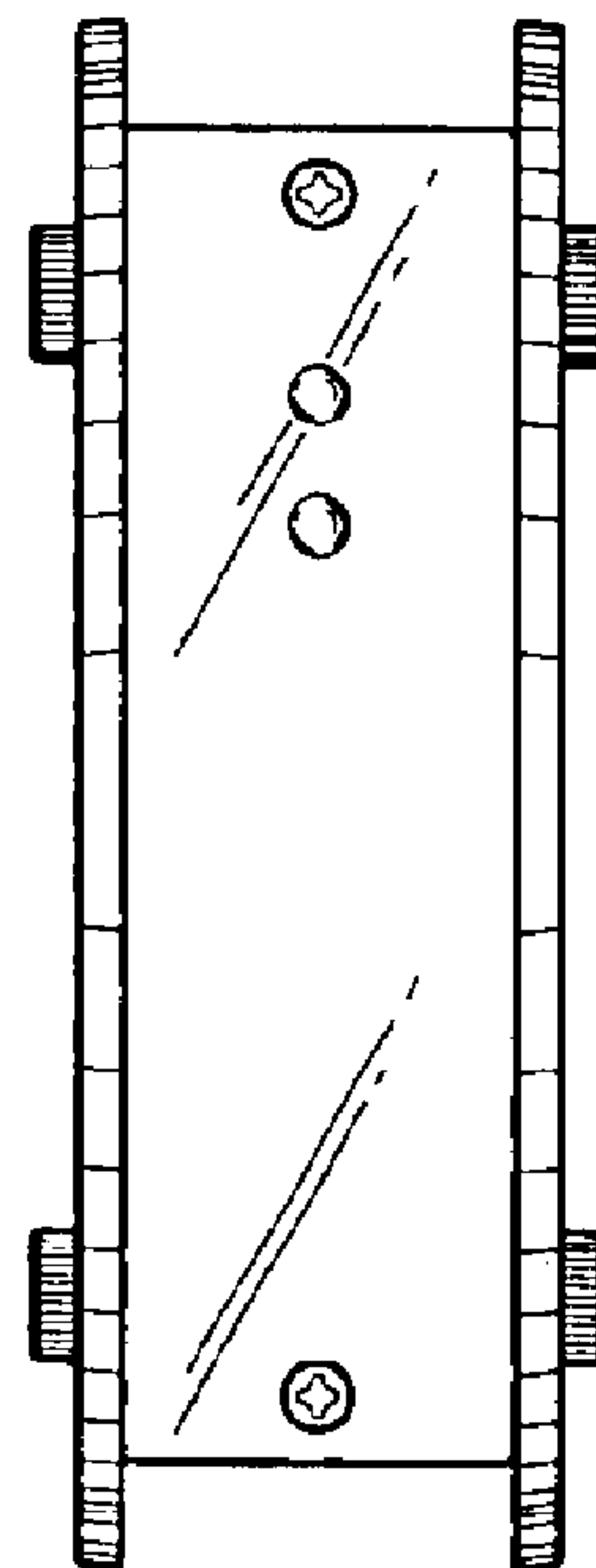


Fig. 5

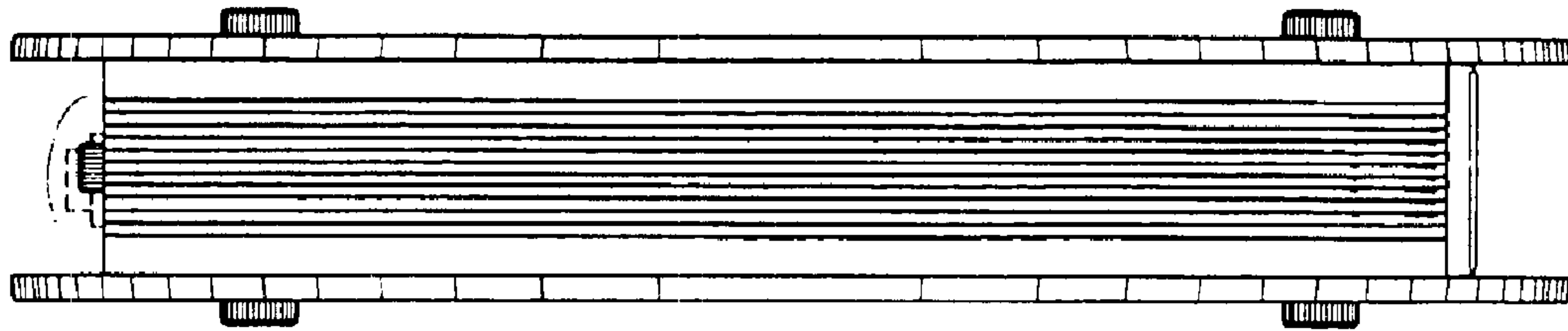


Fig. 6

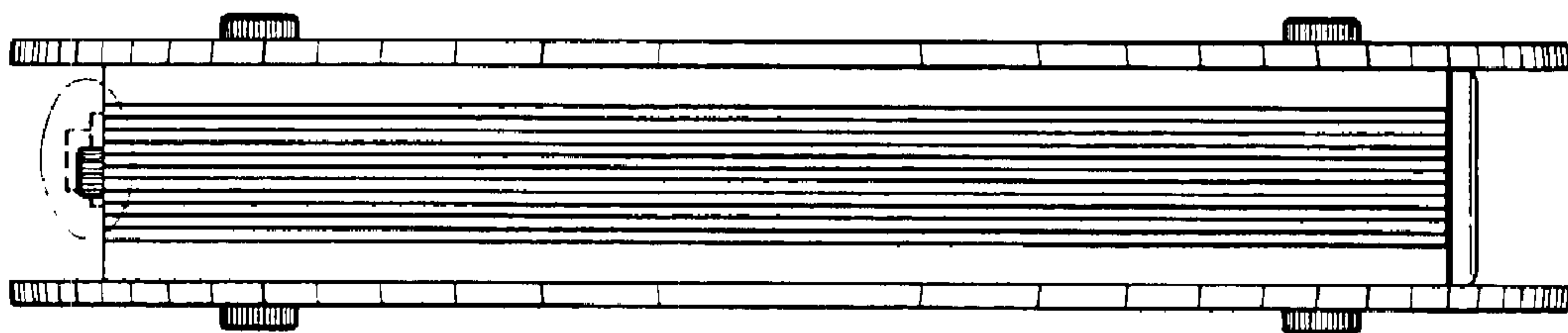


Fig. 7