

US00D505674S

(12) **United States Design Patent**
Penke et al.

(10) **Patent No.:** **US D505,674 S**
(45) **Date of Patent:** **** May 31, 2005**

(54) **WORK SURFACE FOR A COMMUNITY COMMUNICATION HUB KIOSK**

D455,536 S * 4/2002 Lowe D99/28
D461,505 S * 8/2002 Bain et al. D20/10
D474,766 S * 5/2003 Perscky de Fabrega ... D14/302

(75) Inventors: **Mark S. Penke**, Henrietta, NY (US);
Donald A. Brown, Honeoye Falls, NY (US)

* cited by examiner

Primary Examiner—Freda S. Nunn

(73) Assignee: **Xerox Corporation**, Stamford, CT (US)

(74) *Attorney, Agent, or Firm*—Tallam I. Nguti

(**) Term: **14 Years**

(57) **CLAIM**

The ornamental design for a work surface for a community communication hub kiosk, as shown and described.

(21) Appl. No.: **29/192,787**

DESCRIPTION

(22) Filed: **Oct. 30, 2003**

FIG. 1 is a perspective view of a work surface for a community communication hub kiosk of the present invention;

(51) **LOC (7) Cl.** **14-02**

(52) **U.S. Cl.** **D14/302**

(58) **Field of Search** D14/302-312;
D20/10; D99/28; 360/99.01-99.12; 361/690-696;
700/237

FIG. 2 is a front side view thereof;

FIG. 3 is a left view thereof;

FIG. 4 is a rear side view thereof;

FIG. 5 is a right side view thereof; and,

FIG. 6 is a top plan view thereof.

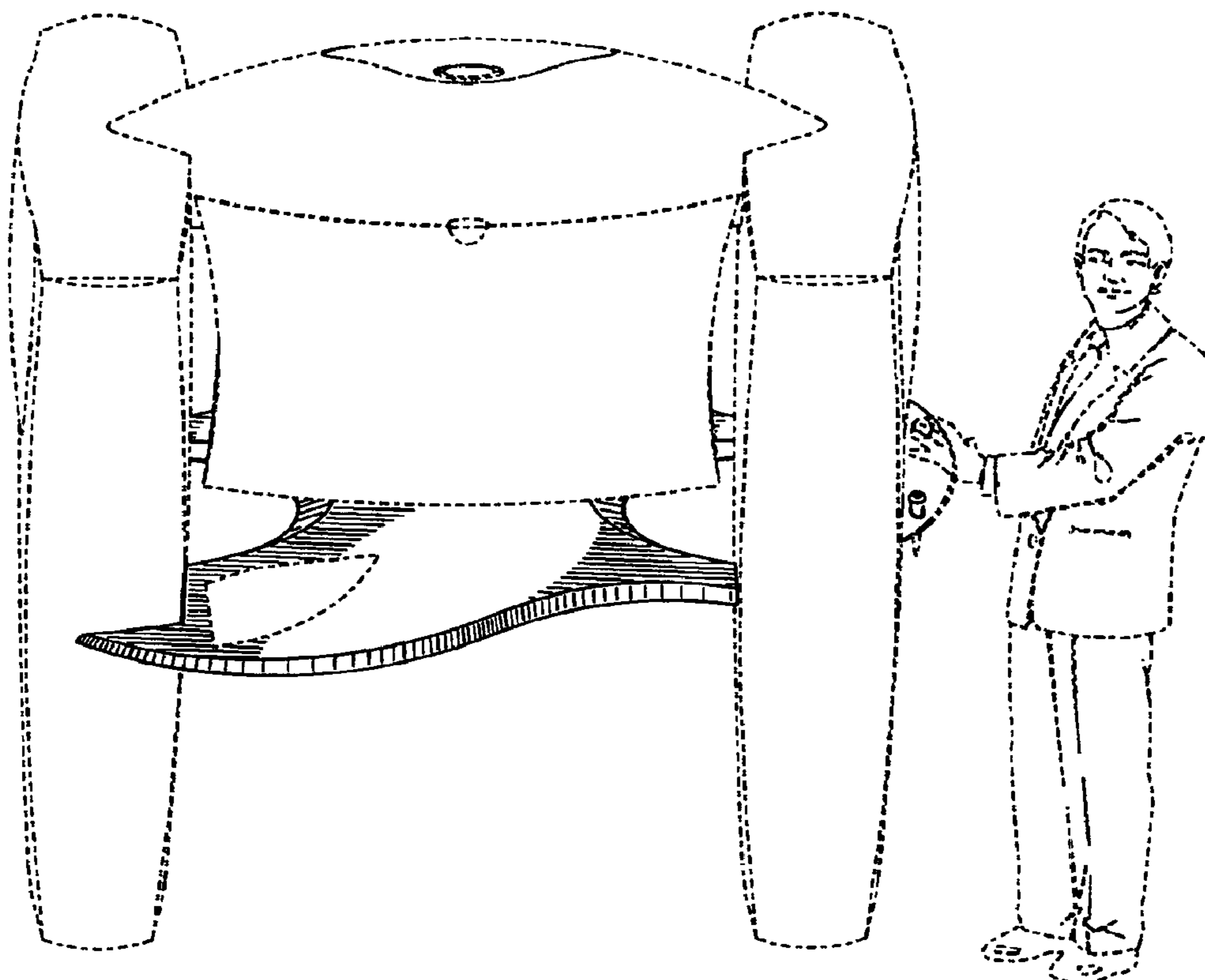
The broken lines showing in FIGS. 1-6 are for illustrative purposes only and do not form part of the claimed design.

(56) **References Cited**

U.S. PATENT DOCUMENTS

D388,230 S * 12/1997 Quinn D99/28
6,078,848 A * 6/2000 Bernstein et al. 700/237

1 Claim, 6 Drawing Sheets



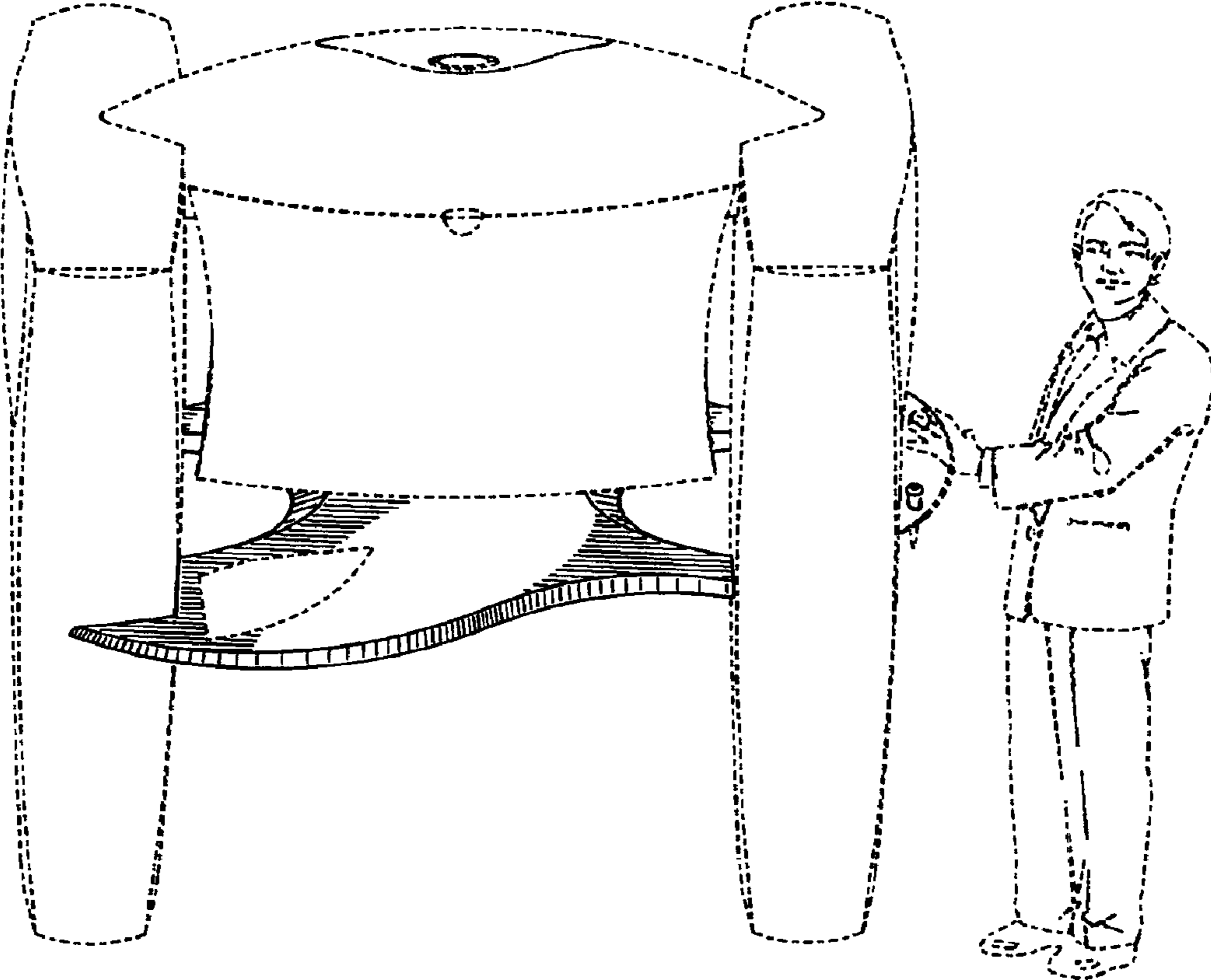


FIG. 1

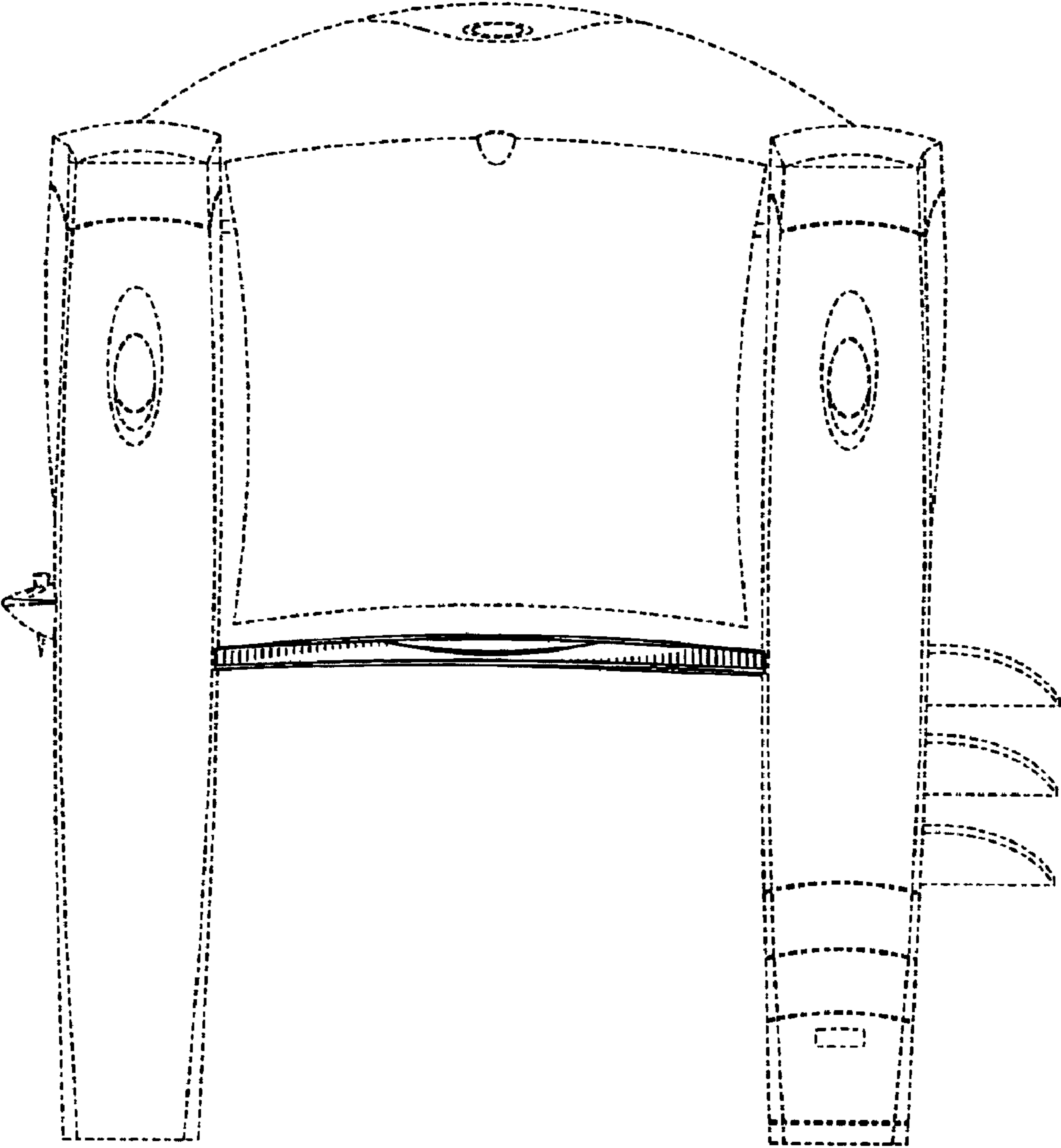


FIG. 2

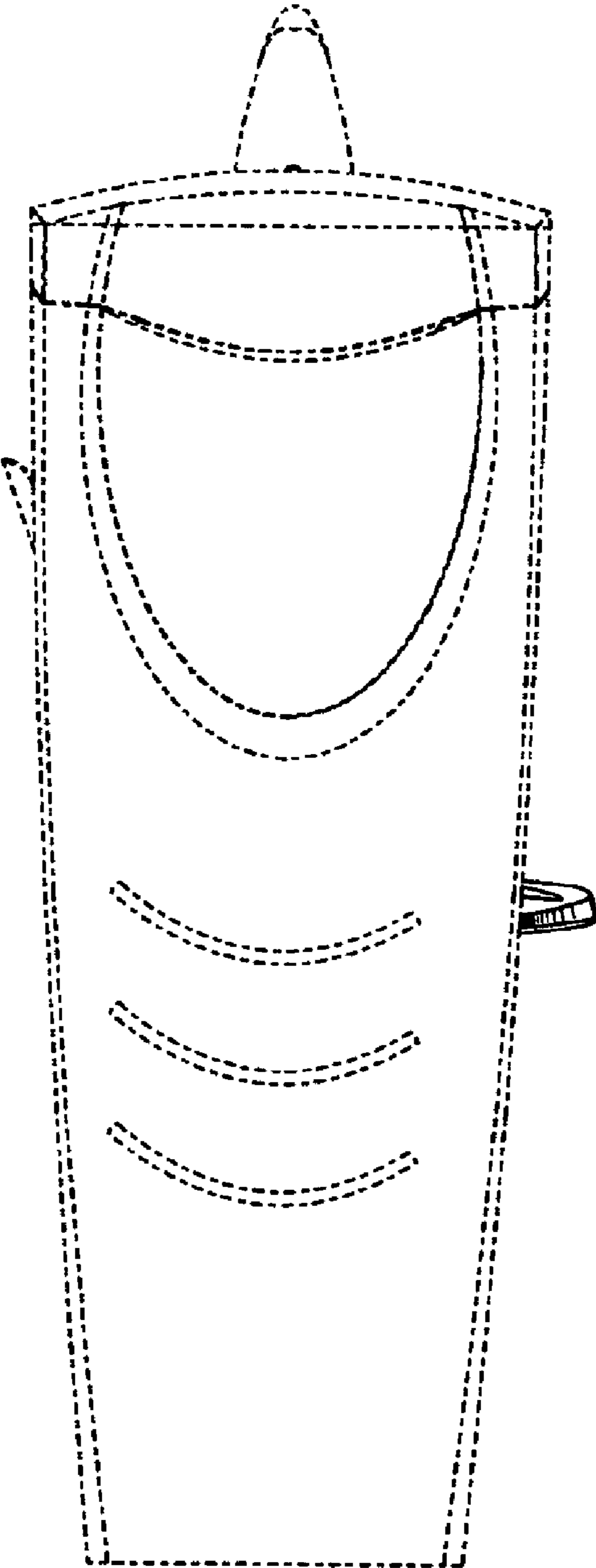


FIG. 3

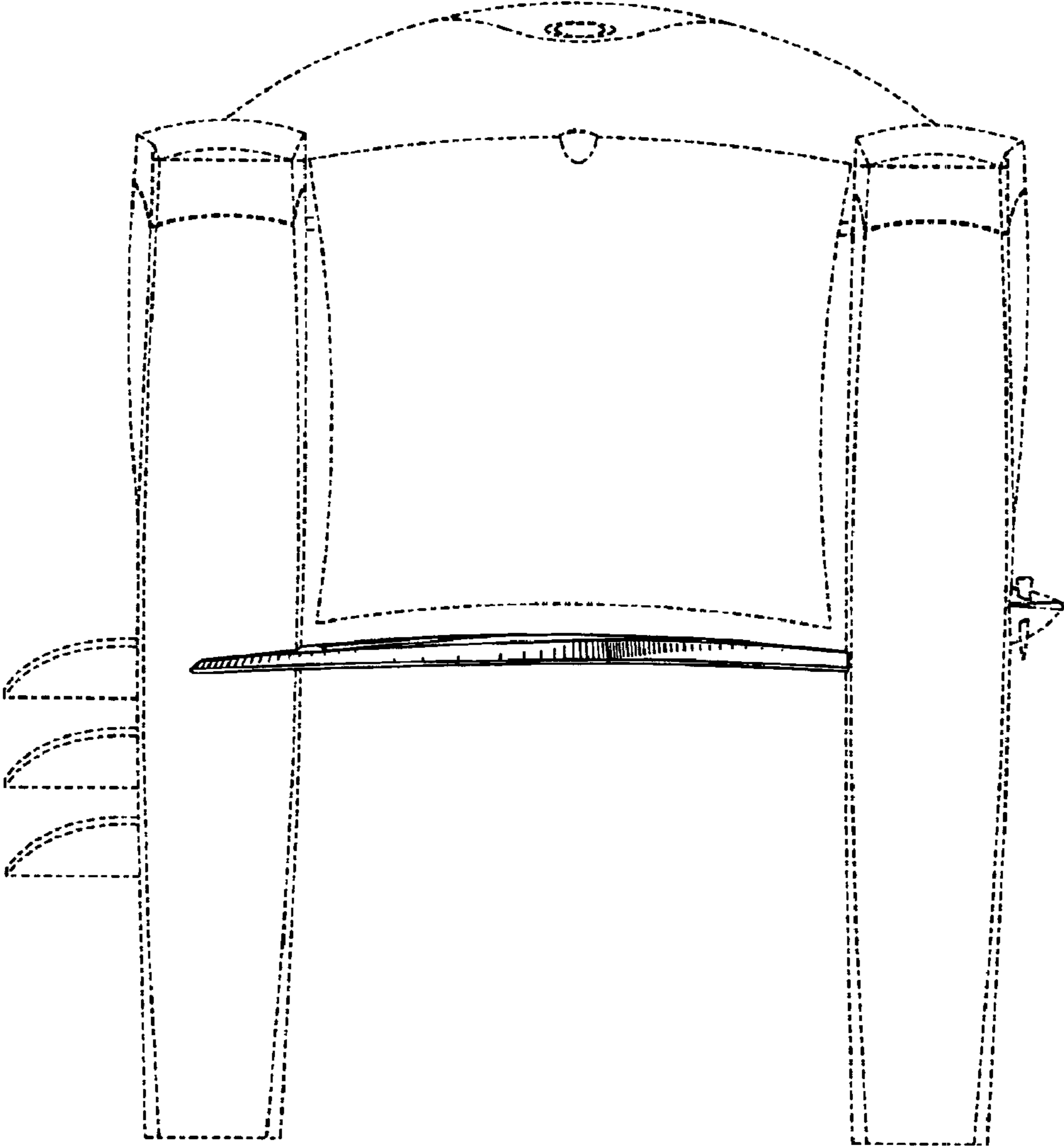


FIG. 4

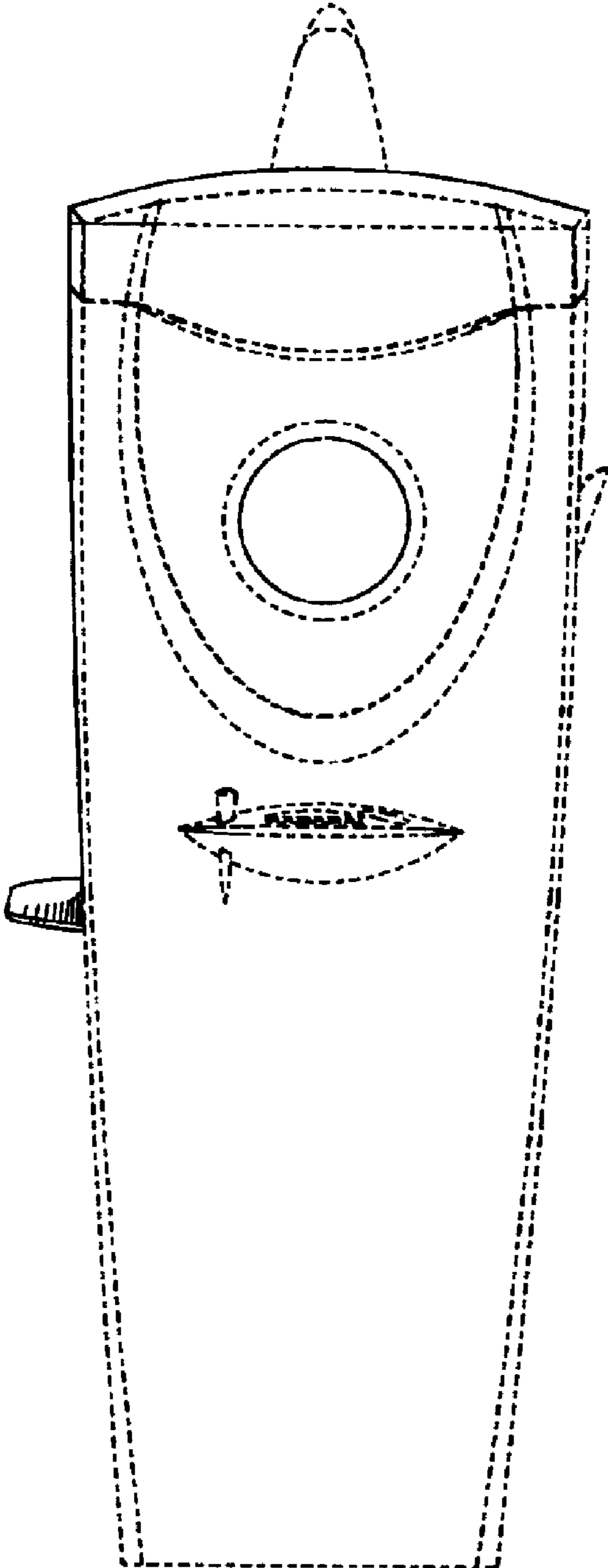


FIG. 5

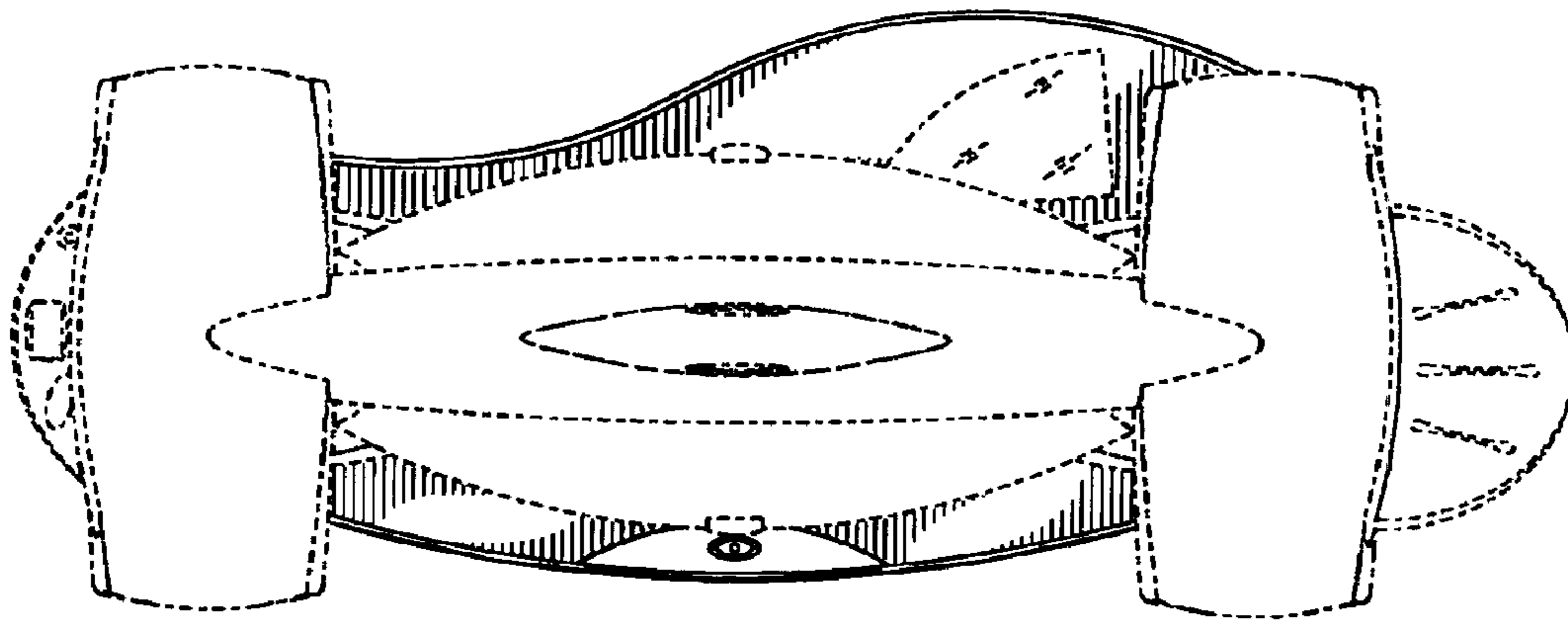


FIG. 6