

US00D505673S

(12) **United States Design Patent**
Montemayor

(10) **Patent No.:** **US D505,673 S**

(45) **Date of Patent:** **** May 31, 2005**

(54) **RADIO MICROPHONE HOLDER**

(76) **Inventor:** **Lionel Montemayor**, 4626 Richmond Ave., Fremont, CA (US) 94536

(**) **Term:** **14 Years**

(21) **Appl. No.:** **29/202,492**

(22) **Filed:** **Mar. 31, 2004**

(51) **LOC (7) Cl.** **14-01**

(52) **U.S. Cl.** **D14/229**

(58) **Field of Search** D14/142, 192,
D14/251, 229, 253; 40/6, 662, 665; 292/307 R;
379/430, 446, 449, 455; 224/181; D3/227,
290; 455/351

(56) **References Cited**

U.S. PATENT DOCUMENTS

- 1,234,566 A * 7/1917 Pyle 40/6
- 2,919,508 A * 1/1960 Stanley 40/665
- 3,429,065 A * 2/1969 Long et al. 40/662
- 4,048,453 A * 9/1977 Seidel 379/430

- D281,420 S * 11/1985 Rosenthal D14/229
- 5,407,113 A * 4/1995 Gollither 224/181
- D484,875 S * 1/2004 Higgins D14/253

* cited by examiner

Primary Examiner—Paula A. Greene

(74) *Attorney, Agent, or Firm*—Thomas R. Lampe

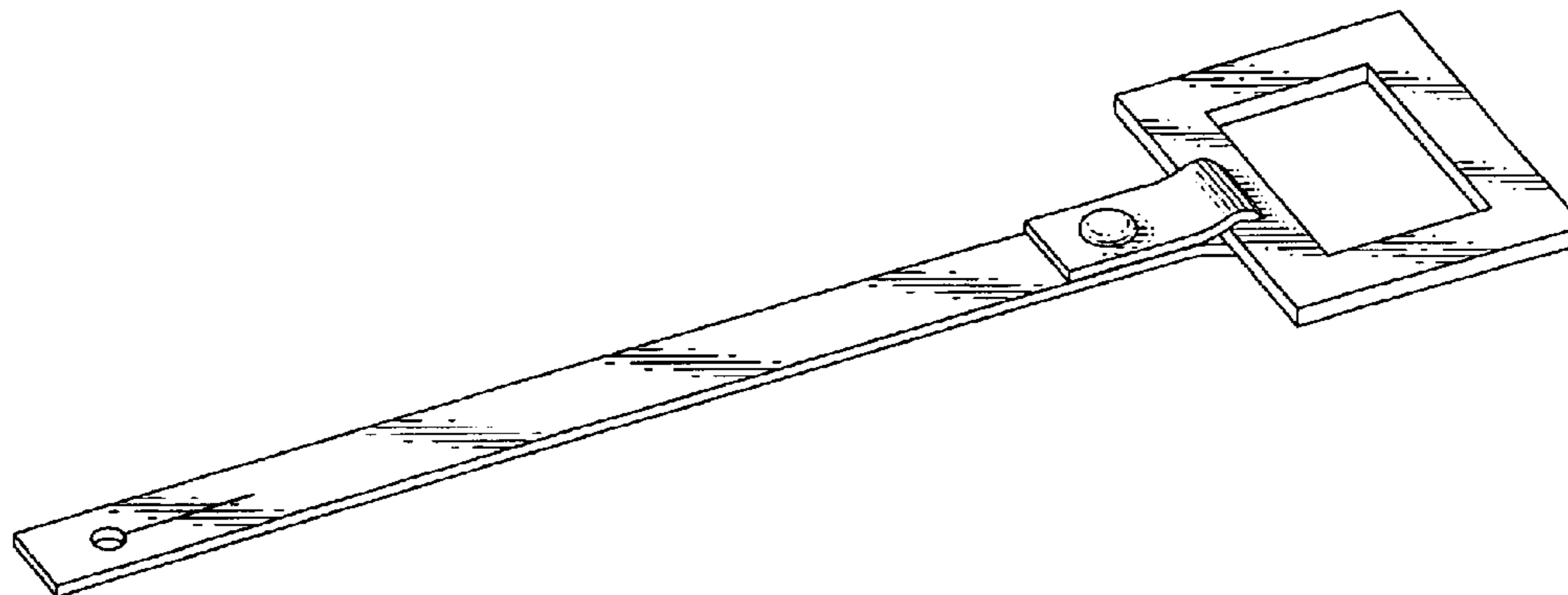
(57) **CLAIM**

The ornamental design for radio microphone holder, as shown and described.

DESCRIPTION

FIG. 1 is a perspective view of radio microphone holder showing my design;
 FIG. 2 is a top plan view thereof;
 FIG. 3 is a bottom plan view thereof;
 FIG. 4 is a left side elevation view thereof, the right side elevation view thereof being a mirror image;
 FIG. 5 is a rear elevation view thereof; and,
 FIG. 6 is a front elevation view thereof.

1 Claim, 1 Drawing Sheet



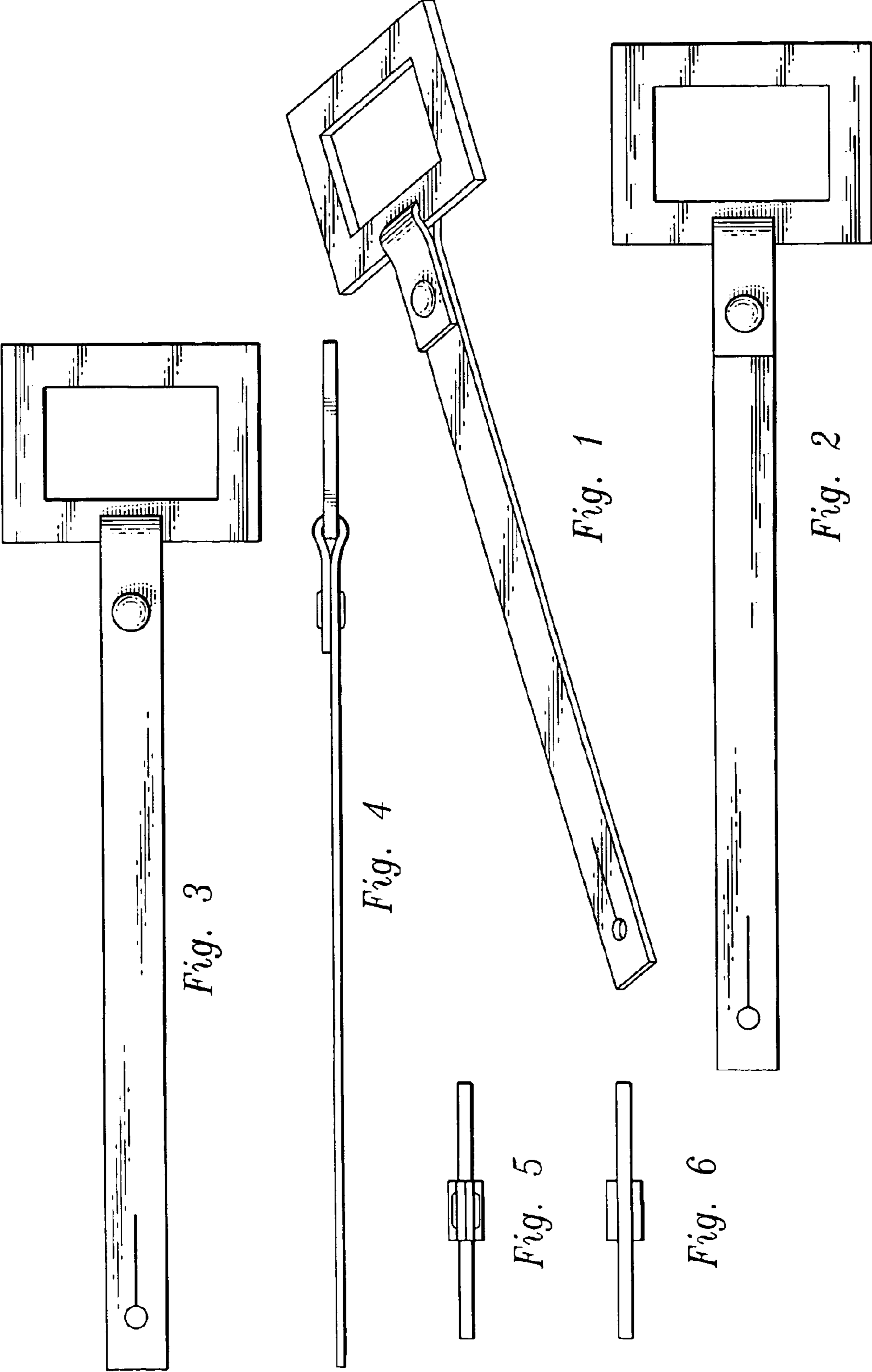


Fig. 3

Fig. 4

Fig. 5

Fig. 6

Fig. 1

Fig. 2