

US00D505671S

(12) **United States Design Patent**
Dayan

(10) **Patent No.:** **US D505,671 S**

(45) **Date of Patent:** **** May 31, 2005**

(54) **SPEAKER**

(75) **Inventor:** **Mervin A. Dayan, Oakhurst, NJ (US)**

(73) **Assignee:** **Roadmaster (USA) Corp., Eatontown, NJ (US)**

(**) **Term:** **14 Years**

(21) **Appl. No.:** **29/194,135**

(22) **Filed:** **Nov. 19, 2003**

(51) **LOC (7) Cl. 14-01**

(52) **U.S. Cl. D14/216**

(58) **Field of Search** D14/204, 207,
D14/209-216, 356, 221-222, 224; 181/143-144,
147-148, 150, 157, 198-199, 151, 153;
381/300-302, 306, 333, 345, 361-364,
386-388, 332, 336

(56) **References Cited**

U.S. PATENT DOCUMENTS

- D198,377 S * 6/1964 Wassmann D14/216
- D225,069 S * 11/1972 May D14/216
- D232,440 S * 8/1974 Yanagawa D14/216

- D239,538 S * 4/1976 Wagner D14/216
- D250,586 S * 12/1978 Nussdorfer et al. D14/216
- D360,886 S * 8/1995 Hall D14/216
- D393,641 S * 4/1998 Hai-Fu D14/216
- D400,884 S * 11/1998 Christie, II D14/216
- D430,141 S * 8/2000 Liu D14/215

* cited by examiner

Primary Examiner—Nanda Bondade

(74) *Attorney, Agent, or Firm*—Robert F. Zielinski, Esq.;
Richard C. Weinblatt, Esq.; Wolf, Block, Schorr and Solis
Cohen LLP

(57) **CLAIM**

The ornamental design for a speaker, as shown and described.

DESCRIPTION

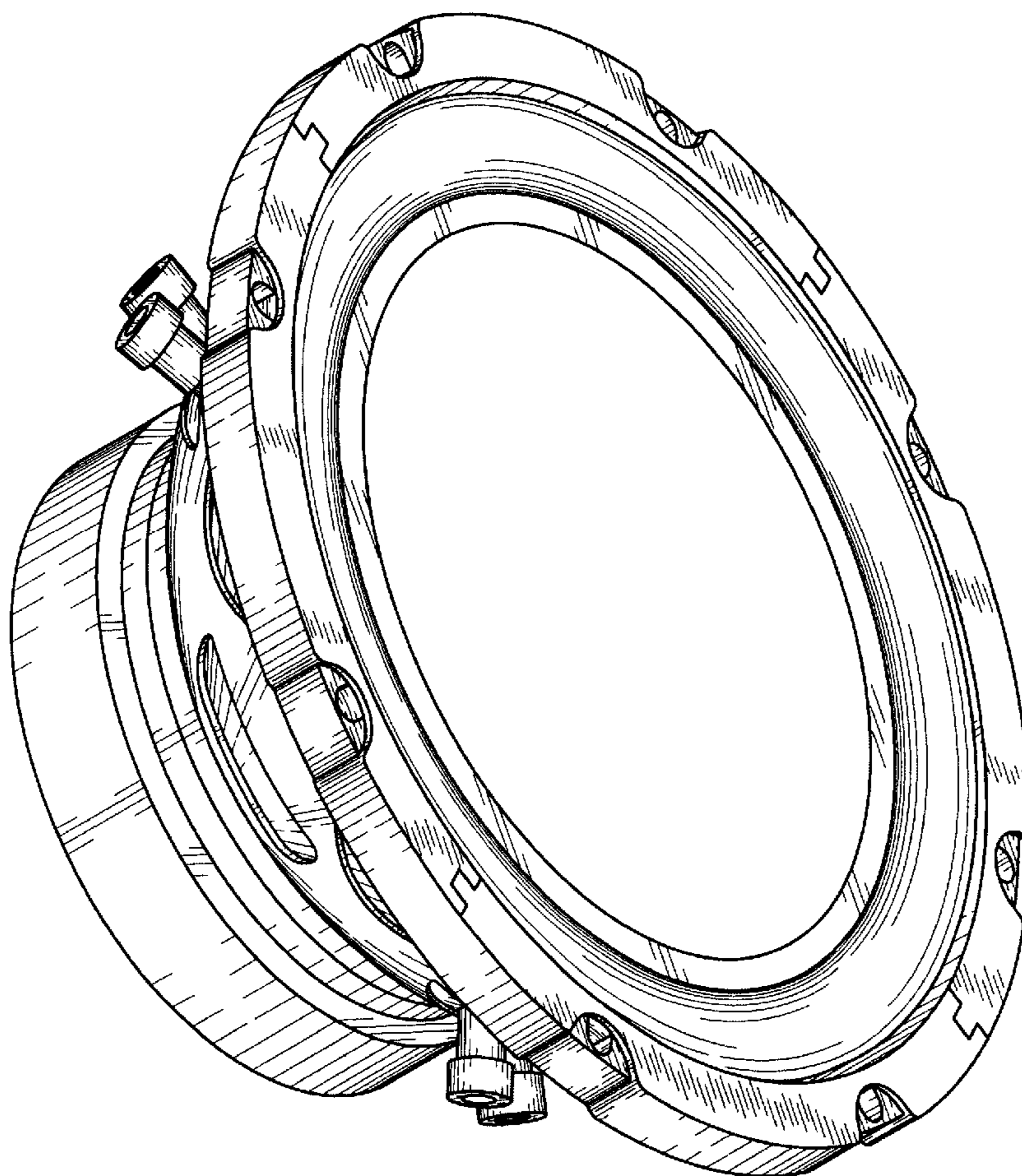
FIG. 1 is a front perspective view of a speaker showing my new design;

FIG. 2 is a front view thereof;

FIG. 3 is a side view thereof; and,

FIG. 4 is a rear view thereof.

1 Claim, 4 Drawing Sheets



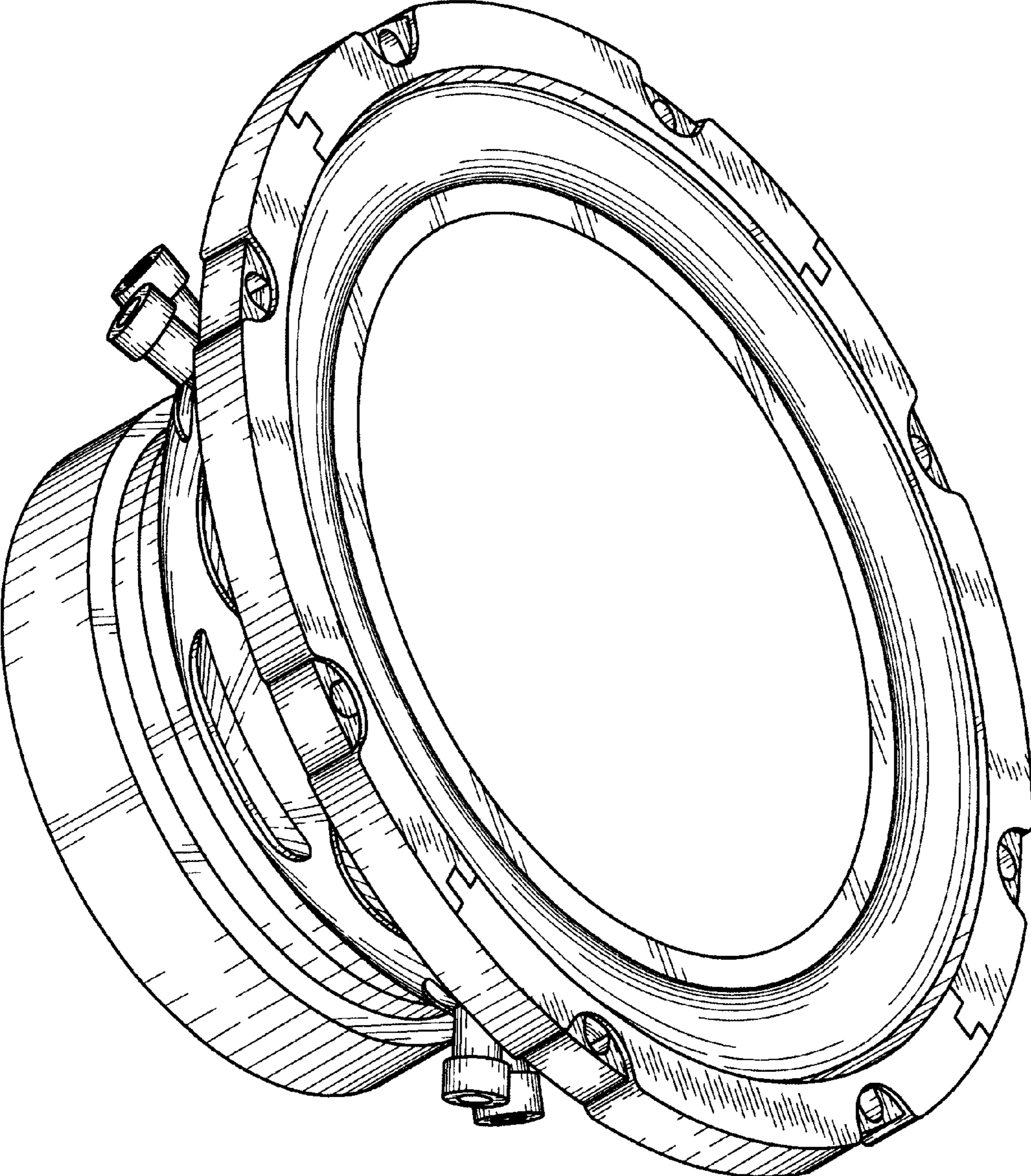


FIG. 1

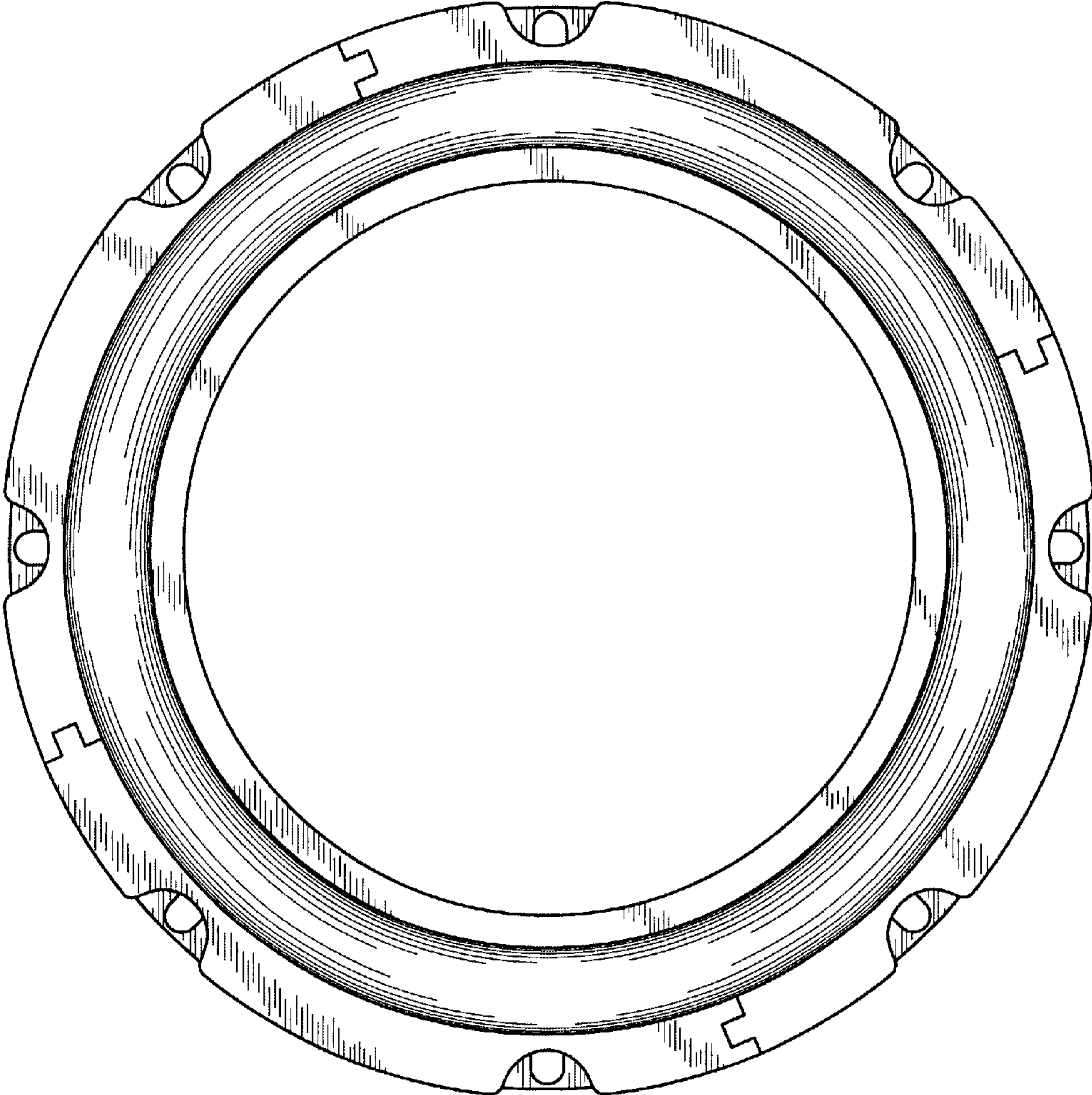


FIG. 2

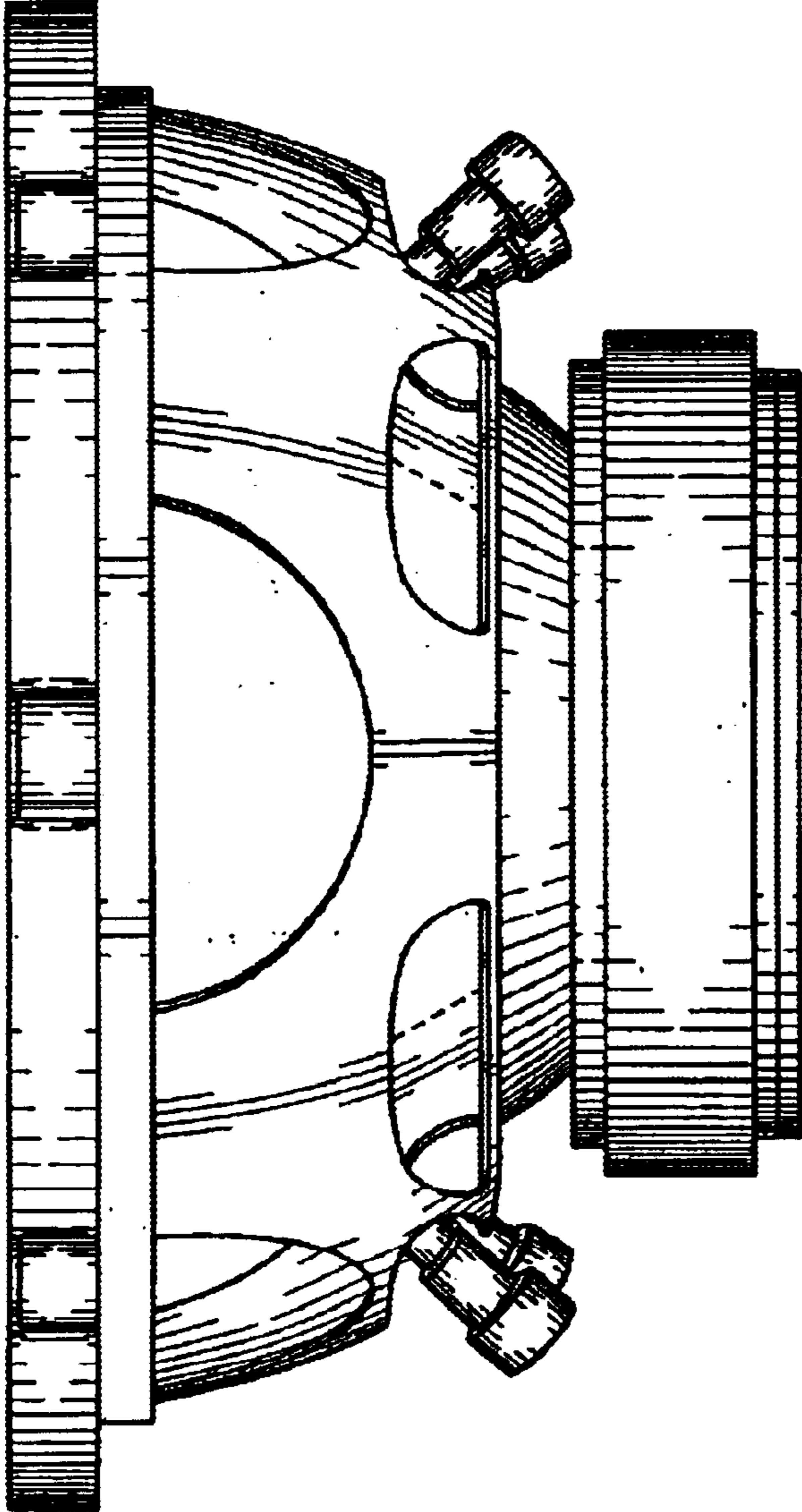


FIG. 3

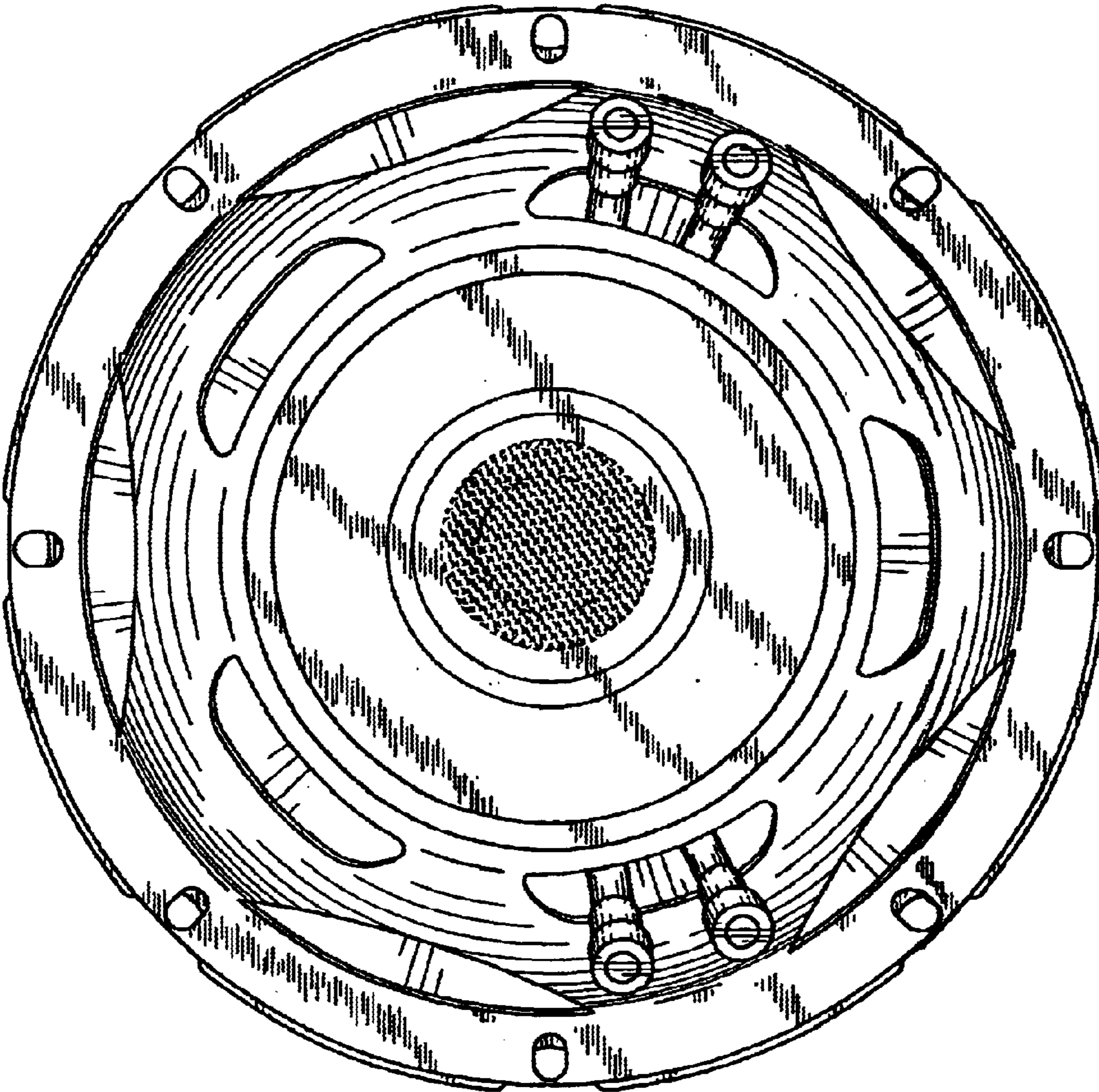


FIG. 4