

US00D505670S

(12) **United States Design Patent** (10) **Patent No.:** **US D505,670 S**
Hoehn et al. (45) **Date of Patent:** **** May 31, 2005**

(54) **PAIR OF SPEAKERS**

(75) Inventors: **Holger Hoehn**, Taipei (TW); **Jason Tseng**, Hsin-Chuang (TW)

(73) Assignee: **Hannspree, Inc.**, Taipei (TW)

(**) Term: **14 Years**

(21) Appl. No.: **29/200,597**

(22) Filed: **Mar. 1, 2004**

(30) **Foreign Application Priority Data**

Feb. 17, 2004 (TW) 93300784

(51) **LOC (7) Cl.** **14-01**

(52) **U.S. Cl.** **D14/211; D14/214**

(58) **Field of Search** D14/204, 207,
D14/209-216, 356; 181/143-144, 147-148,
150, 156, 198-199, 151, 153; 381/300-302,
306, 333, 345, 361-364, 386-388, 332,
336

(56) **References Cited**

U.S. PATENT DOCUMENTS

D242,474 S * 11/1976 Croup D14/211
D256,914 S * 9/1980 Rams D14/211
D389,483 S * 1/1998 Christie et al. D14/214
D394,658 S * 5/1998 Christie D14/214
6,035,962 A * 3/2000 Lin 181/199

* cited by examiner

Primary Examiner—Nanda Bondade
(74) *Attorney, Agent, or Firm*—Thomas, Kayden,
Horstemeyer & Risley

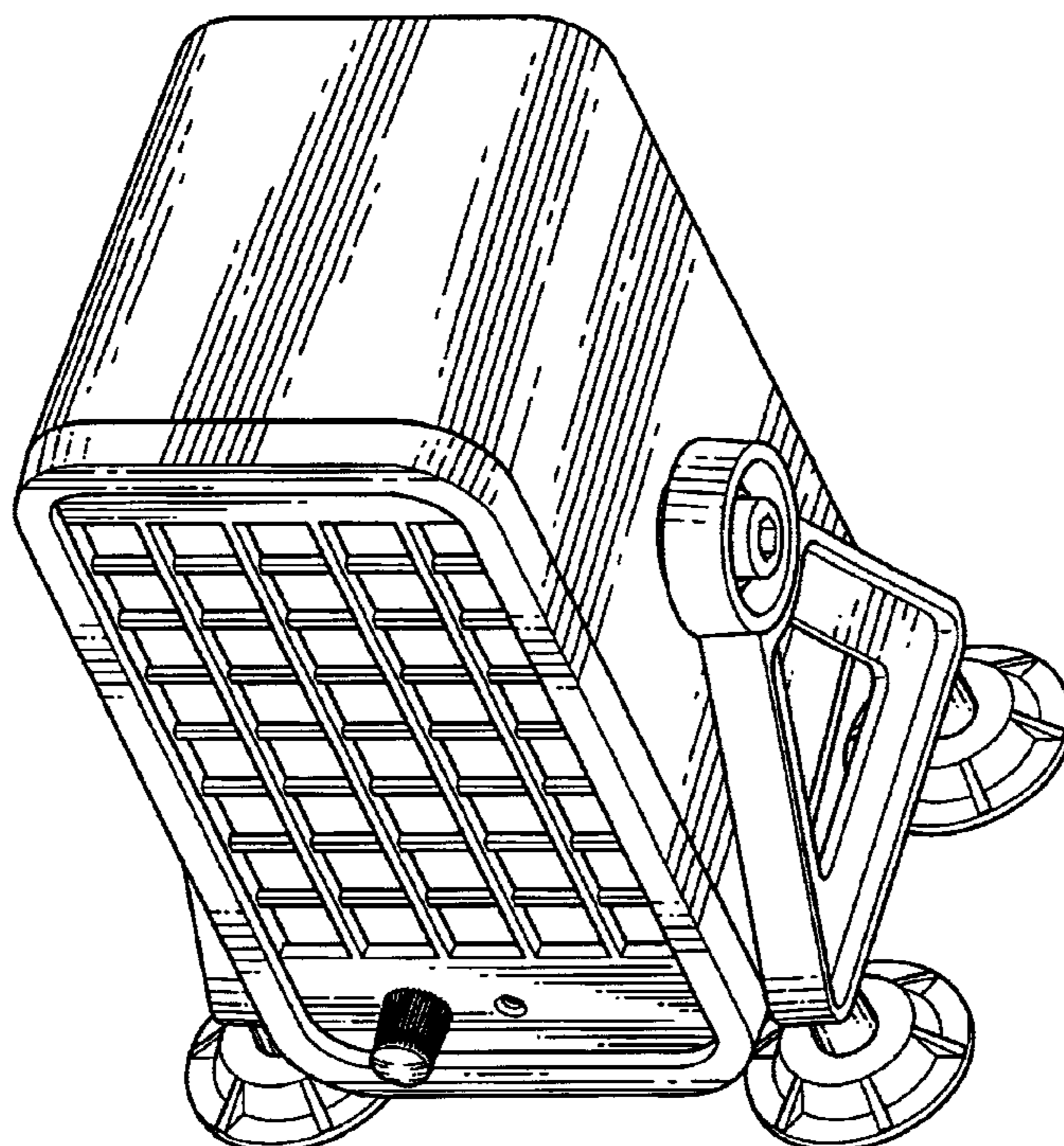
(57) **CLAIM**

The ornamental design for a pair of speakers, as shown and described.

DESCRIPTION

FIG. 1 is a front perspective view of the first member of the pair of speakers according to the present invention;
FIG. 2 is a front elevational view thereof;
FIG. 3 is a rear elevational view thereof;
FIG. 4 is a left side elevational view thereof;
FIG. 5 is a right side elevational view thereof;
FIG. 6 is a top plane view thereof;
FIG. 7 is a bottom plane view thereof;
FIG. 8 is a front perspective view of the second member of the pair of speakers according to the present invention;
FIG. 9 is a front elevational view thereof;
FIG. 10 is a rear elevational view thereof;
FIG. 11 is a left side elevational view thereof;
FIG. 12 is a right side elevational view thereof;
FIG. 13 is a top plane view thereof; and,
FIG. 14 is a bottom plane thereof.

1 Claim, 14 Drawing Sheets



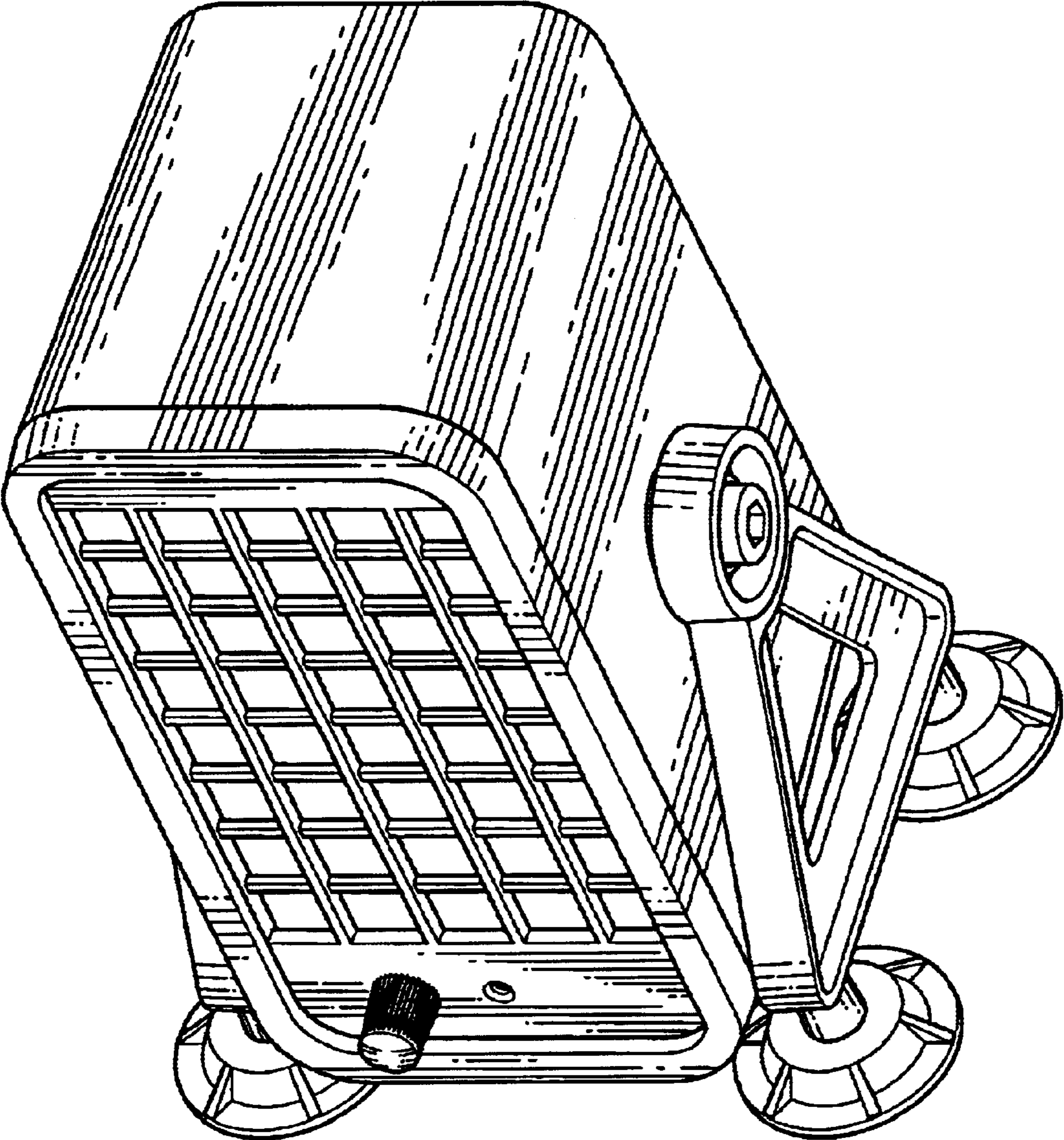


FIG. 1

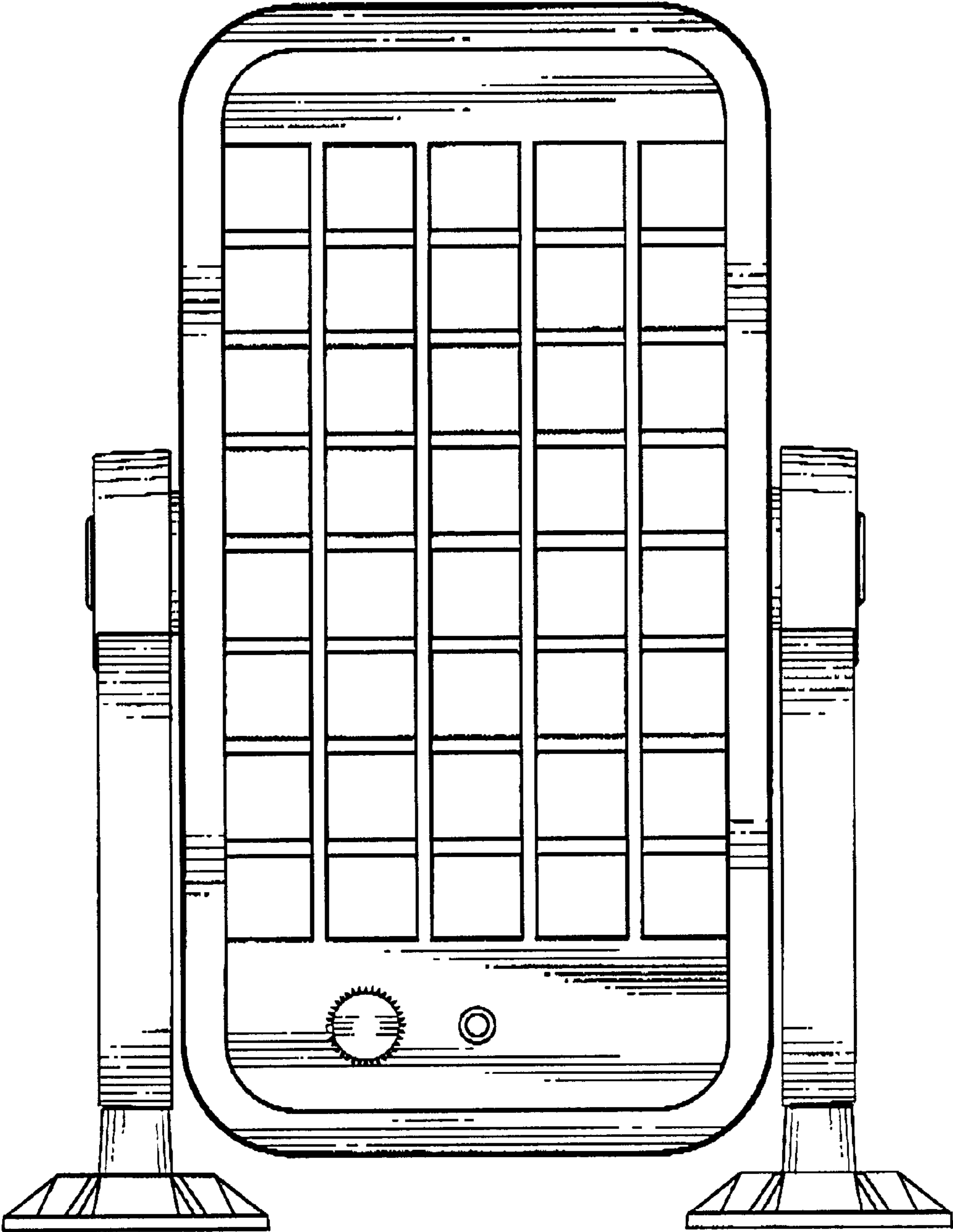


FIG. 2

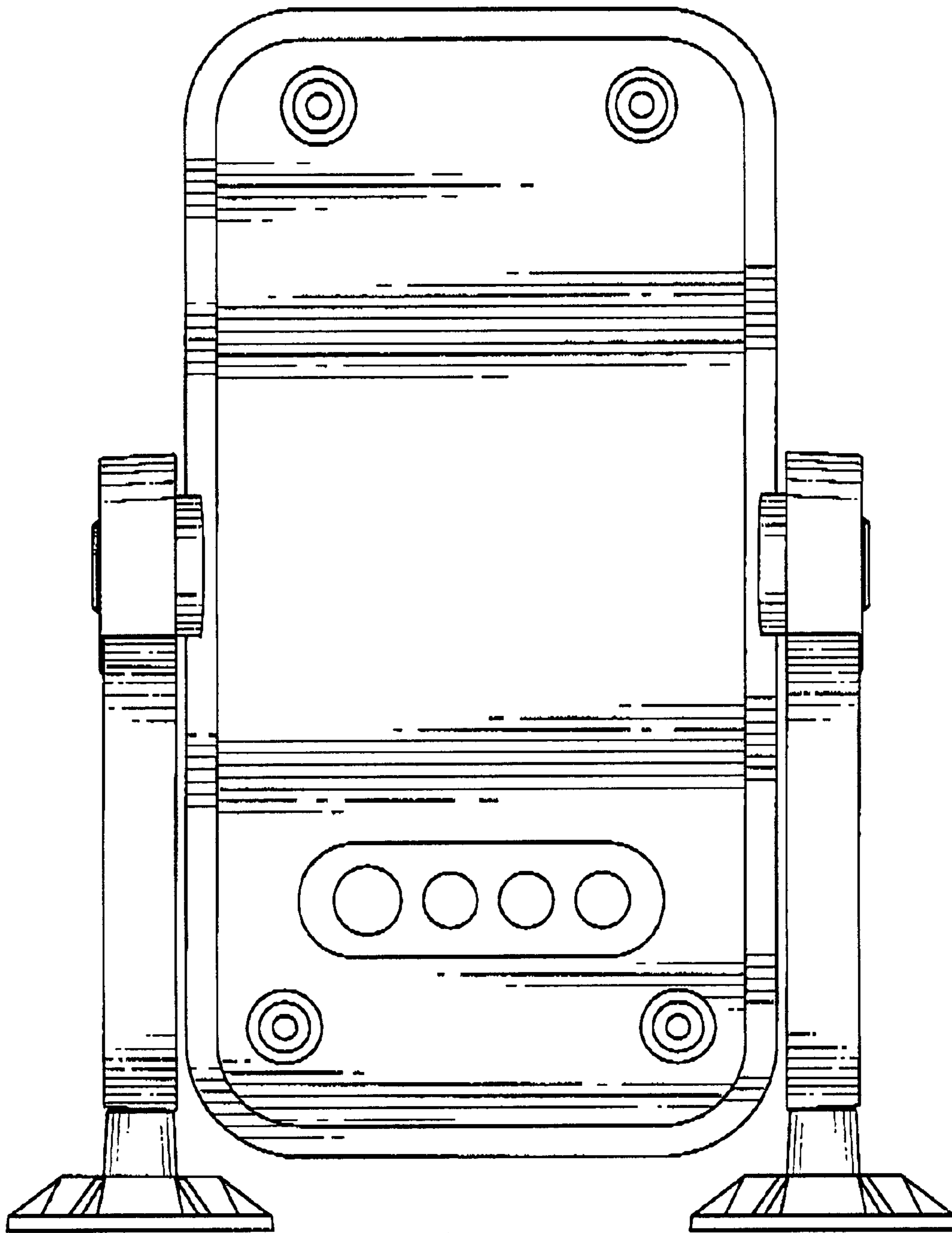


FIG. 3

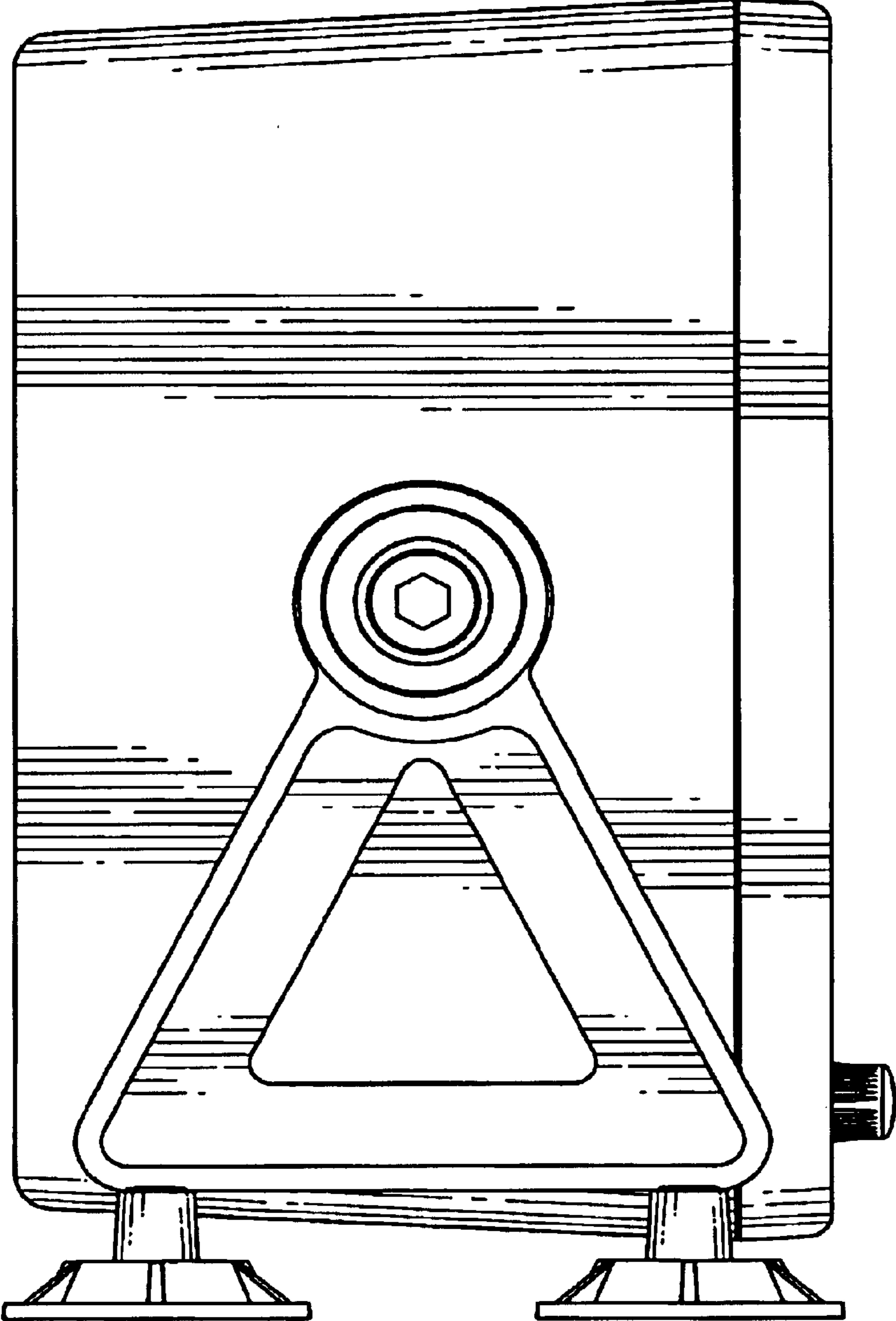


FIG. 4

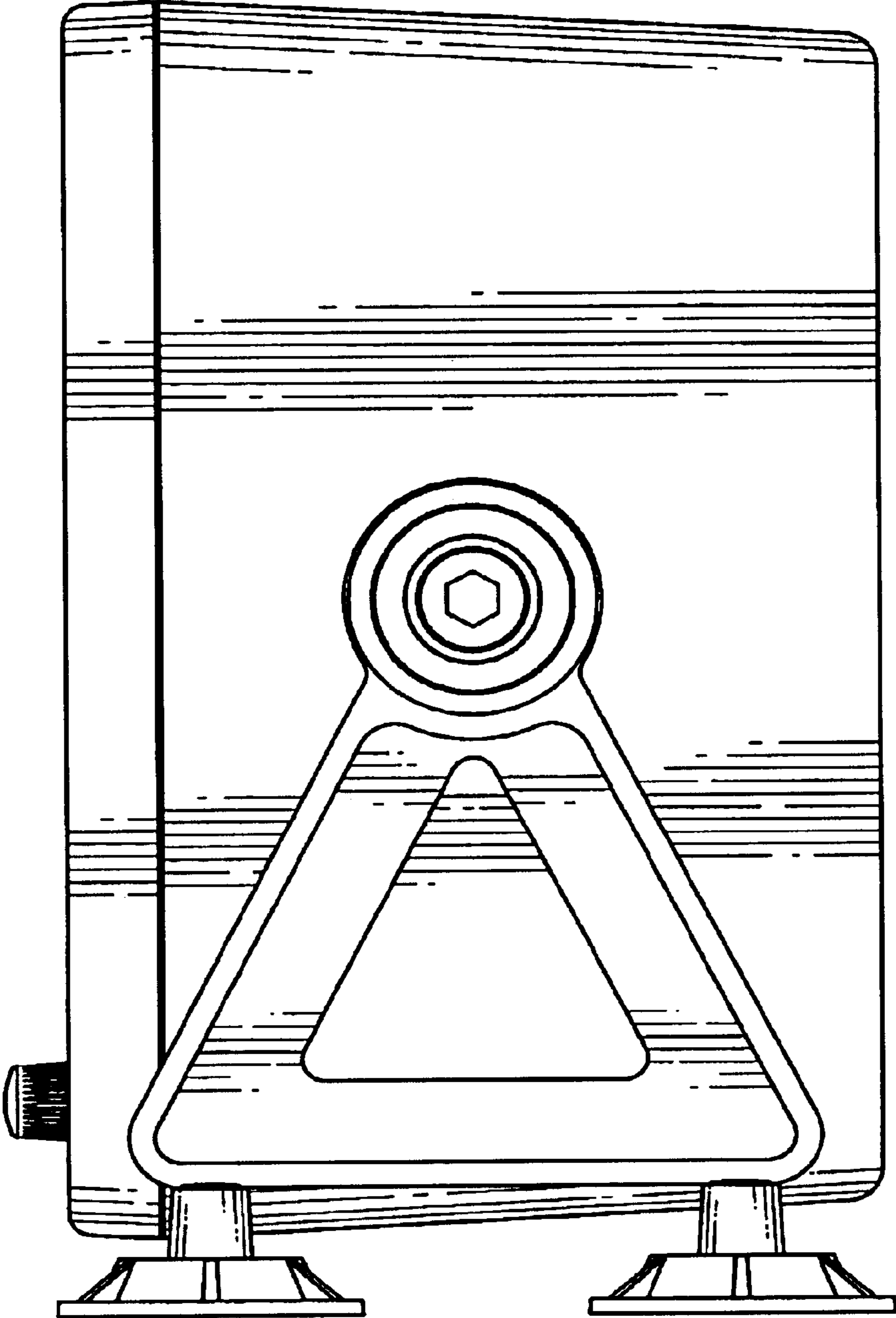


FIG. 5

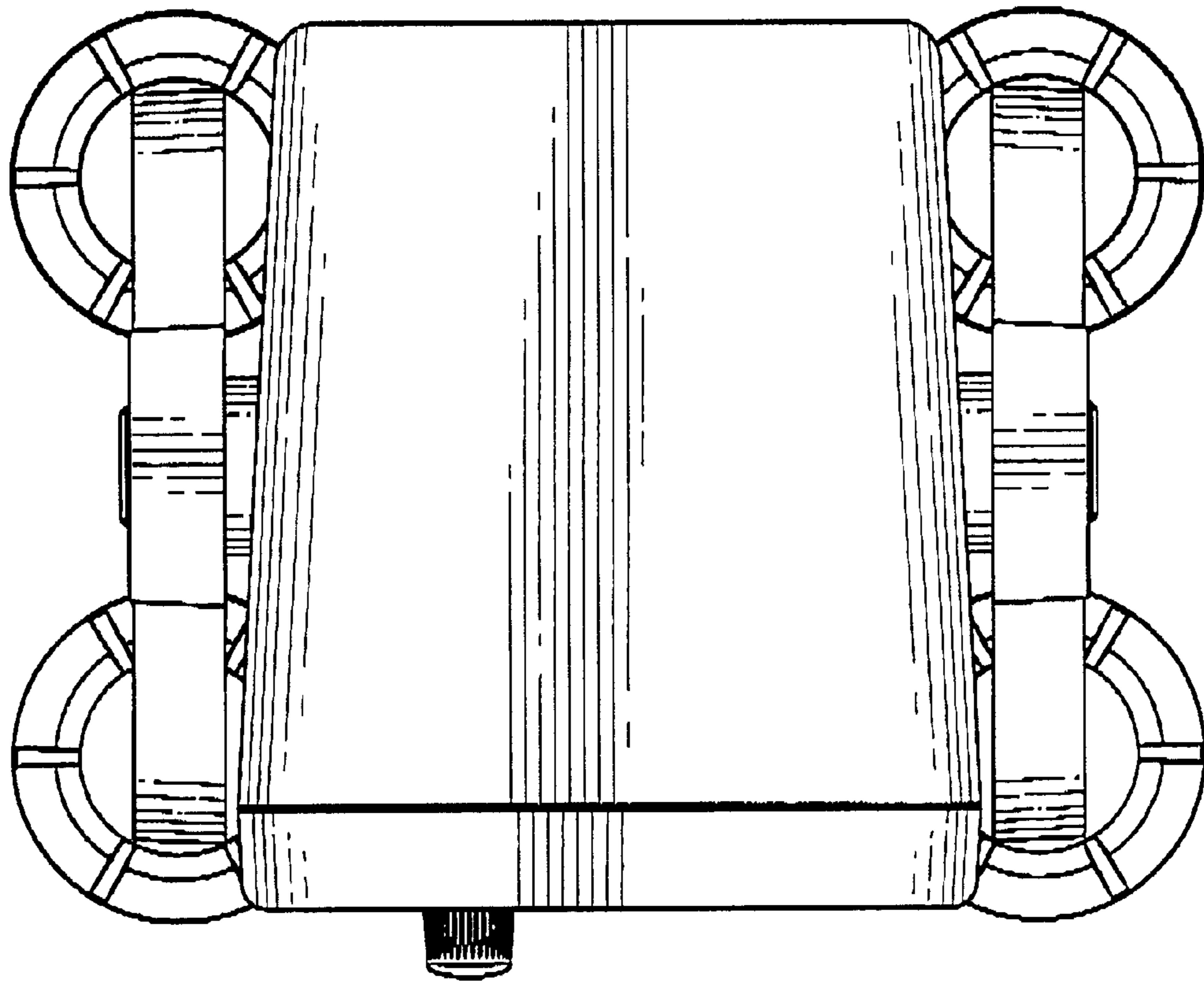


FIG. 6

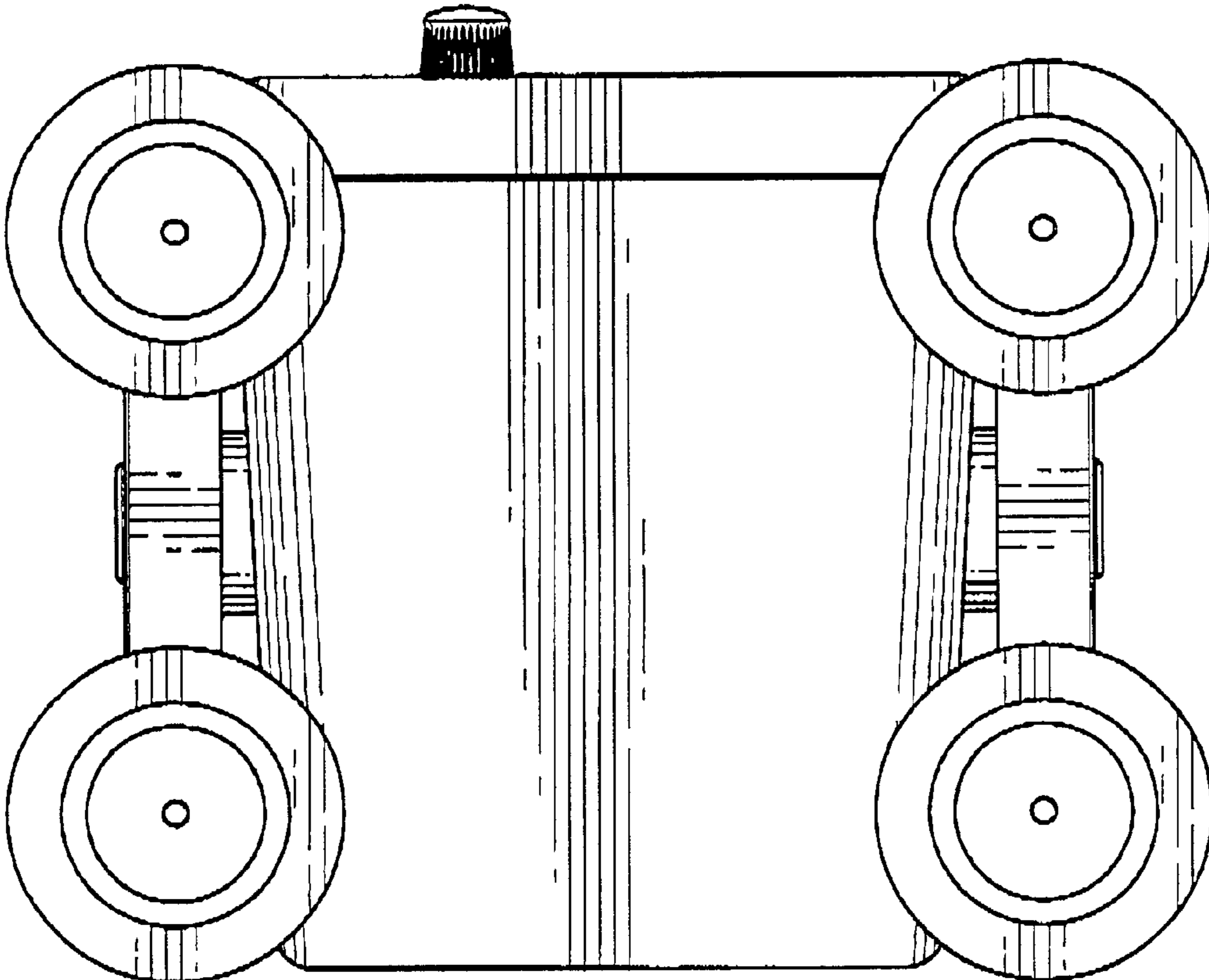


FIG. 7

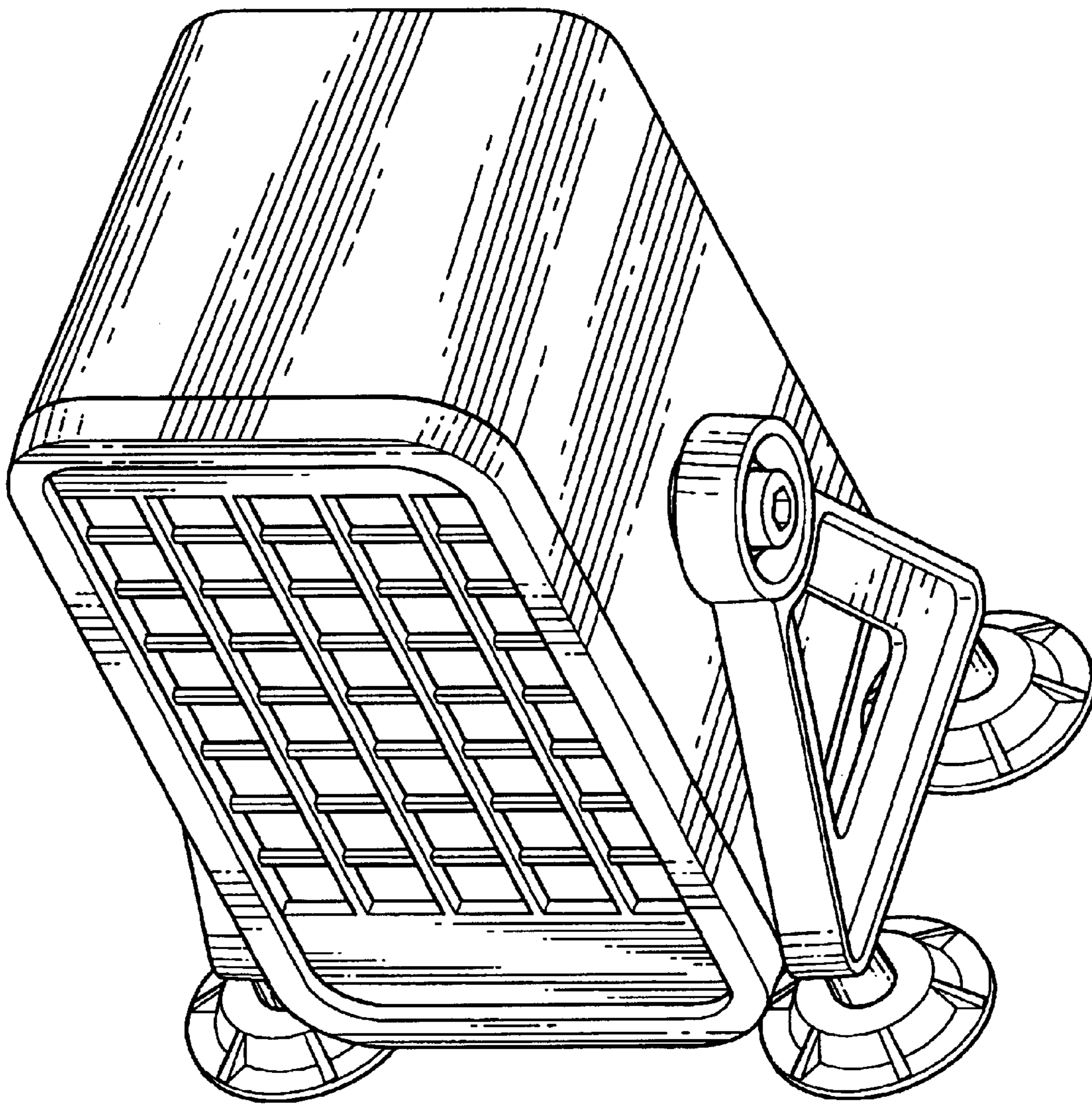


FIG. 8

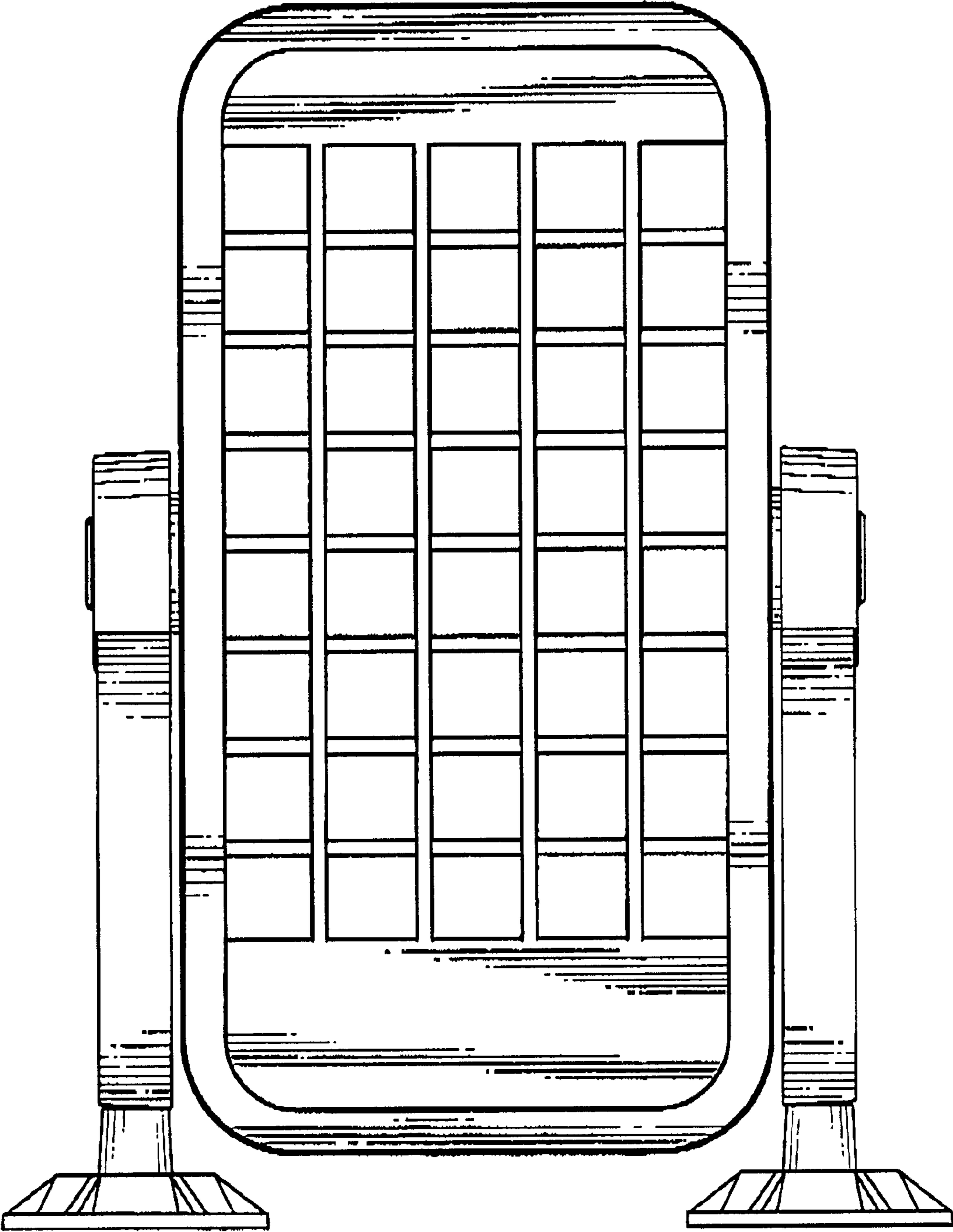


FIG. 9

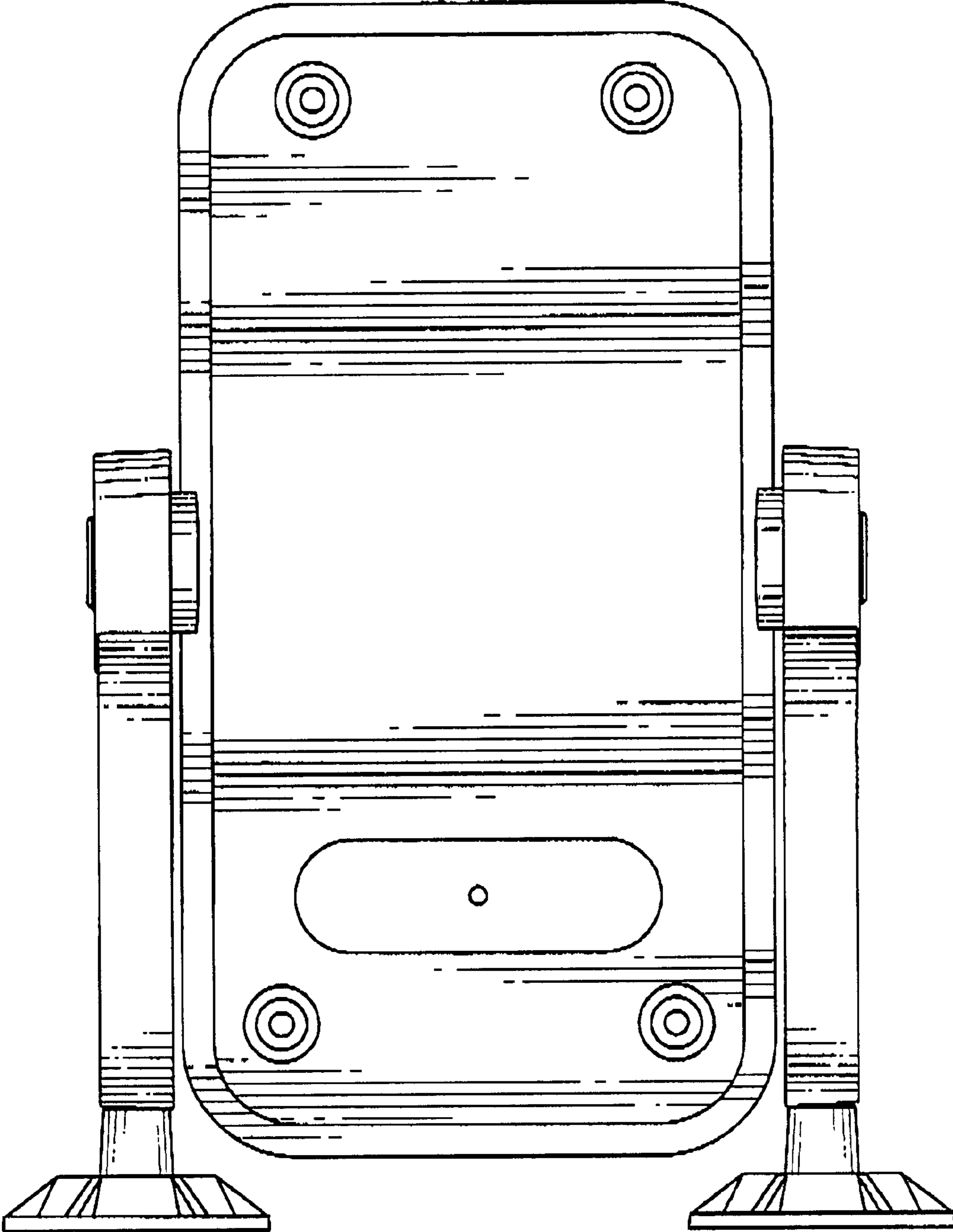


FIG. 10

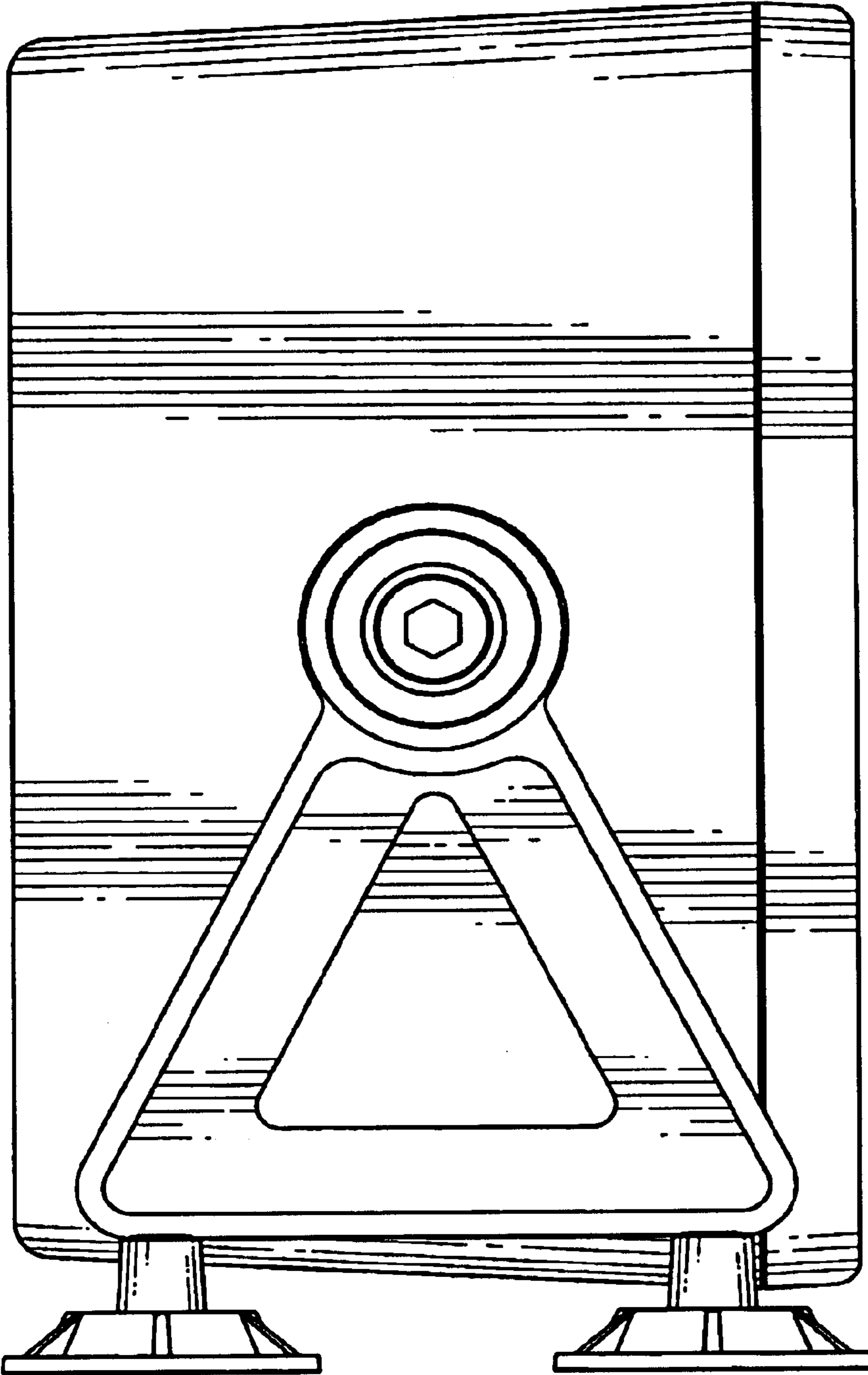


FIG. 11

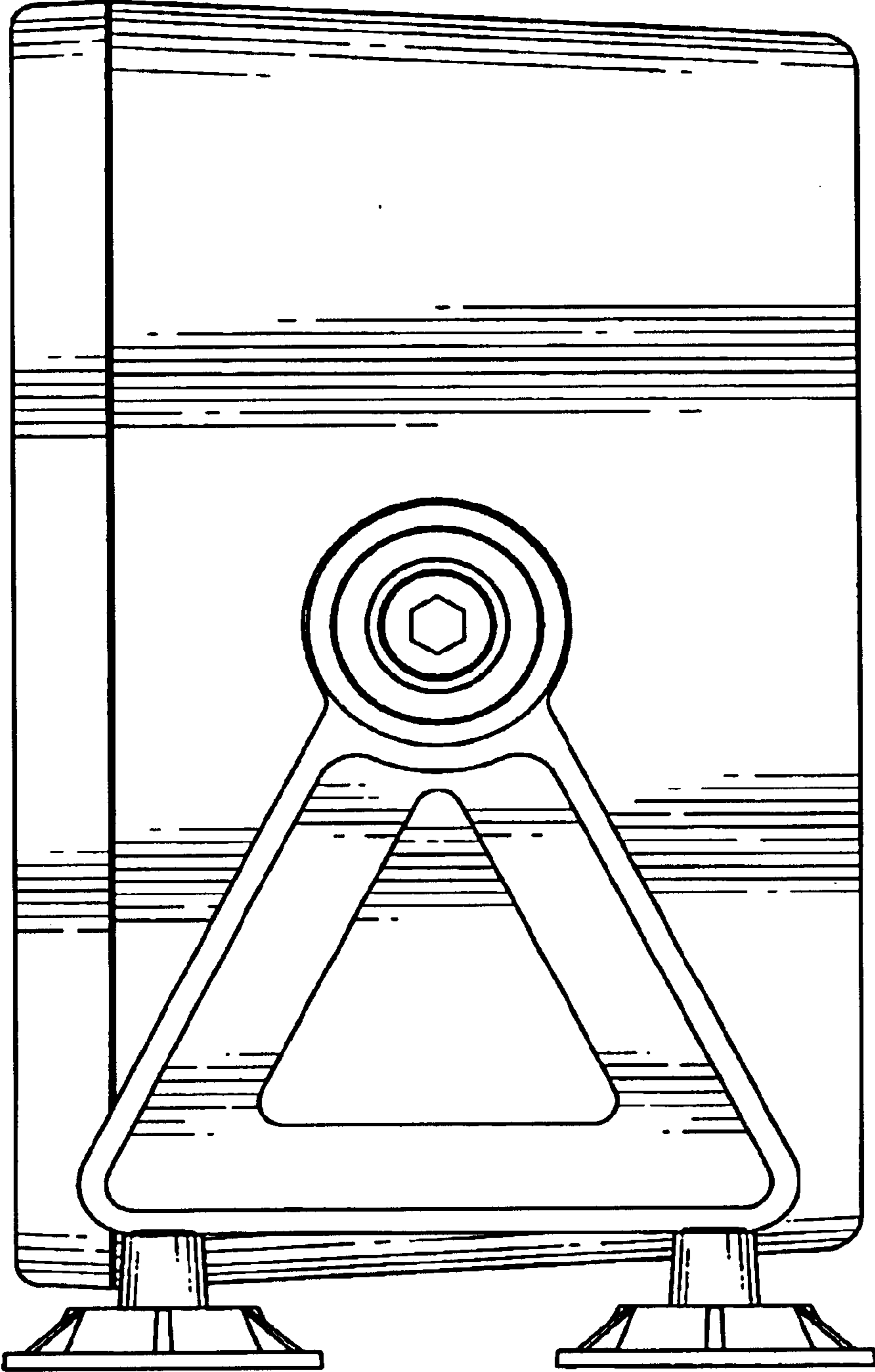


FIG. 12

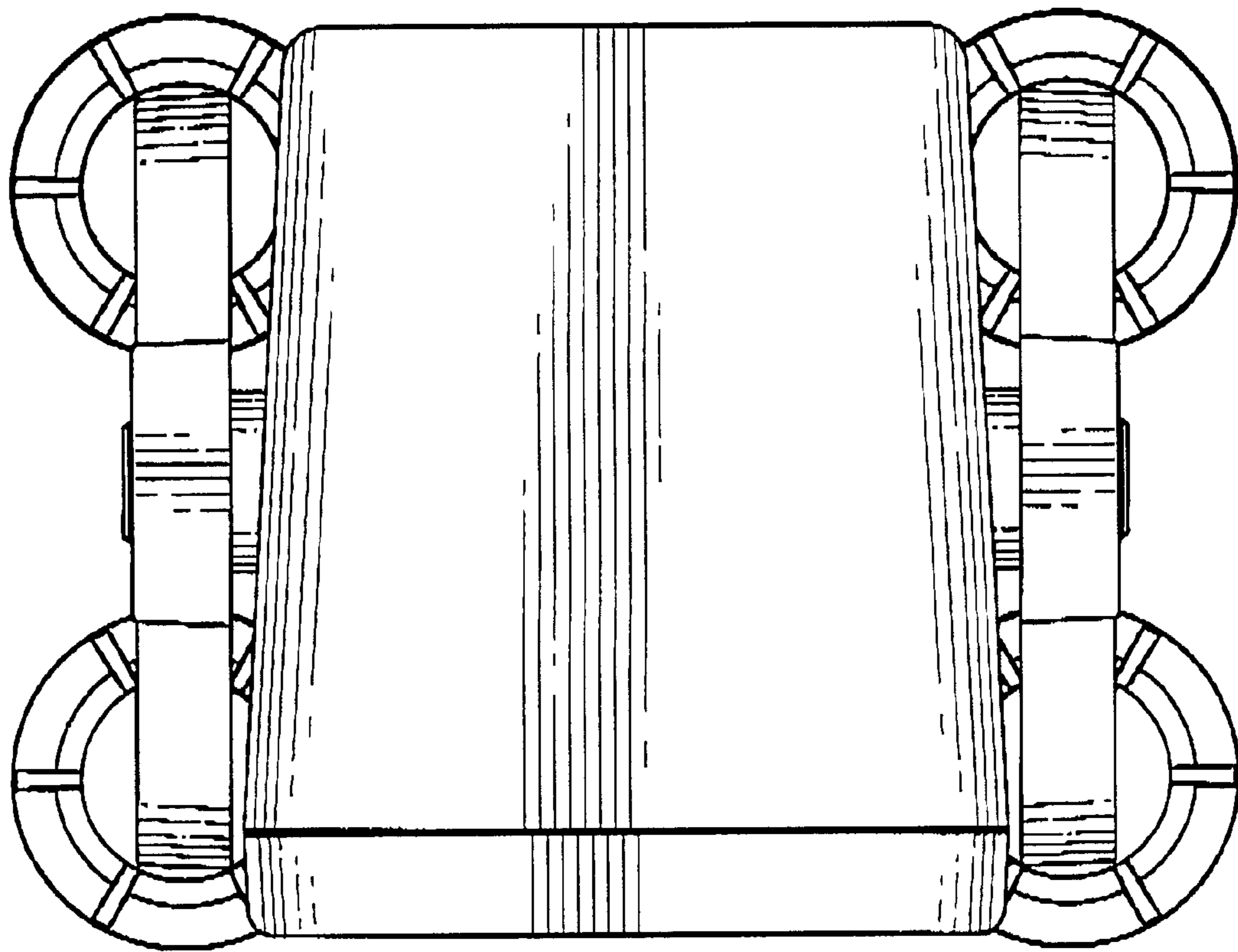


FIG. 13

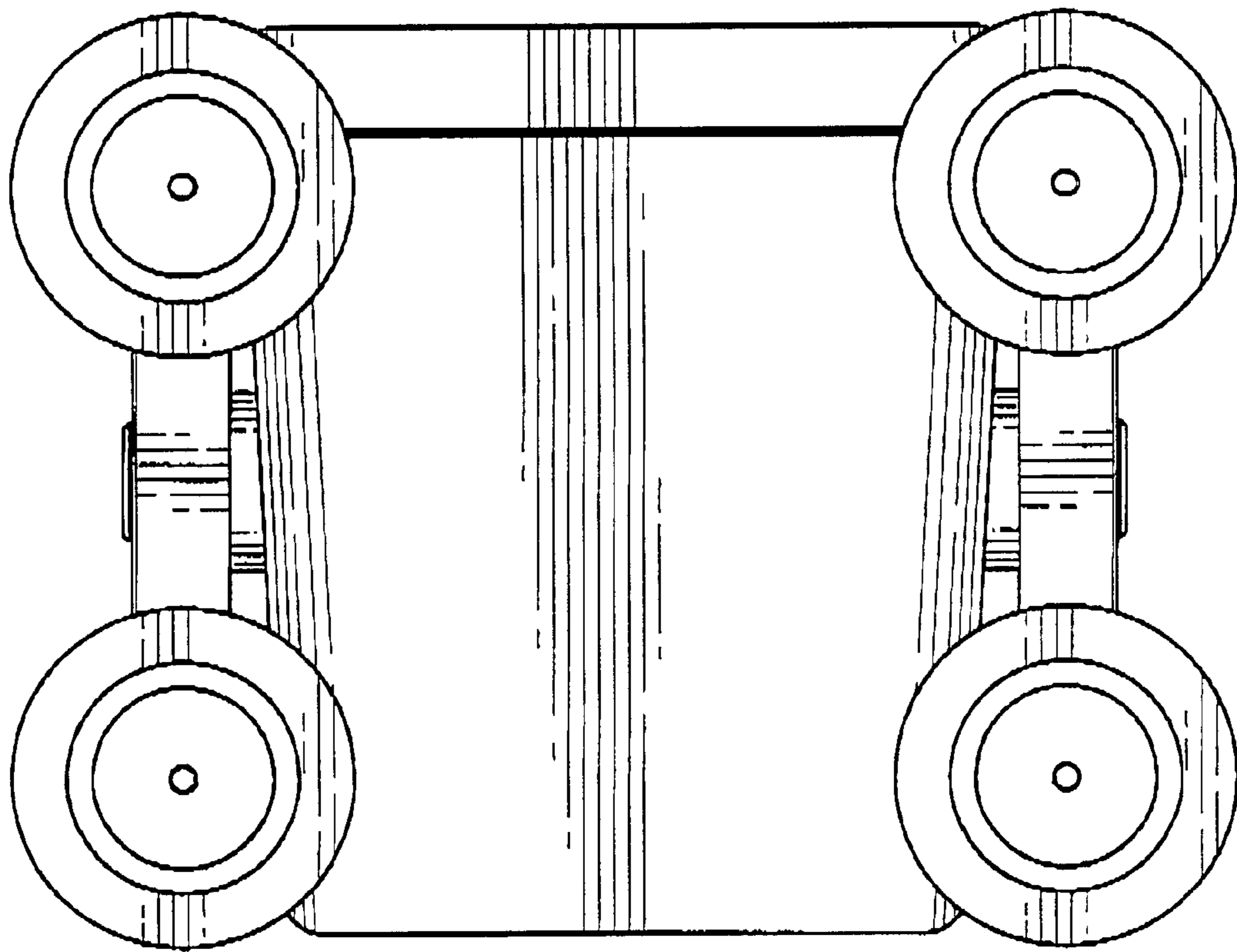


FIG. 14