

US00D505664S

(12) **United States Design Patent** (10) **Patent No.:** **US D505,664 S**  
**Takagi et al.** (45) **Date of Patent:** **\*\* May 31, 2005**

(54) **OPTICAL PACKAGE**

(75) Inventors: **Shinichi Takagi**, Tokyo (JP); **Hiroshi Aruga**, Tokyo (JP); **Kiyohide Sakai**, Tokyo (JP)

(73) Assignee: **Mitsubishi Denki Kabushiki Kaisha**, Tokyo (JP)

(\*\*) Term: **14 Years**

(21) Appl. No.: **29/173,579**

(22) Filed: **Jan. 3, 2003**

(30) **Foreign Application Priority Data**

Jul. 10, 2002	(JP)	.....	2002-018454
Jul. 10, 2002	(JP)	.....	2002-018455
Jul. 10, 2002	(JP)	.....	2002-018456
Jul. 10, 2002	(JP)	.....	2002-018457
Jul. 10, 2002	(JP)	.....	2002-018458
Jul. 10, 2002	(JP)	.....	2002-018459
Jul. 10, 2002	(JP)	.....	2002-018460

(51) **LOC (7) Cl.** ..... **13-03**

(52) **U.S. Cl.** ..... **D13/182**

(58) **Field of Search** ..... D13/182; 250/239;  
257/36, 82, 99, 678, 679, 432, 433, 773;  
372/31, 36, 43; 385/94; 438/411

(56) **References Cited**

**U.S. PATENT DOCUMENTS**

4,768,070	A	*	8/1988	Takizawa et al.	.....	372/31
5,052,009	A	*	9/1991	Tsuboi et al.	.....	372/36
5,252,856	A	*	10/1993	Murai	.....	257/678

(Continued)

**OTHER PUBLICATIONS**

- Product Overview, [wysiwyg://mainframe.1101/http://www.shinko.co.jp/e.product/e.glass/e.glass.4.htm](http://www.shinko.co.jp/e.product/e.glass/e.glass.4.htm), "Glass-to-Metal Seals", 2 pages, 2001-2002.  
 Patent Abstracts of Japan, JP 10-284640, Oct. 23, 1998.  
 Patent Abstracts of Japan, JP 08-031970, Feb. 2, 1996.  
 Patent Abstracts of Japan, JP 11-087577, Mar. 30, 1999.  
 Patent Abstracts of Japan, JP 05-129461, May 25, 1993.  
 Patent Abstracts of Japan, JP-07-176649, Jul. 14, 1995.

\* cited by examiner

*Primary Examiner*—Stella Reid  
*Assistant Examiner*—Selina Sikder

(74) *Attorney, Agent, or Firm*—Oblon, Spivak, McClelland, Maier & Neustadt, P.C.

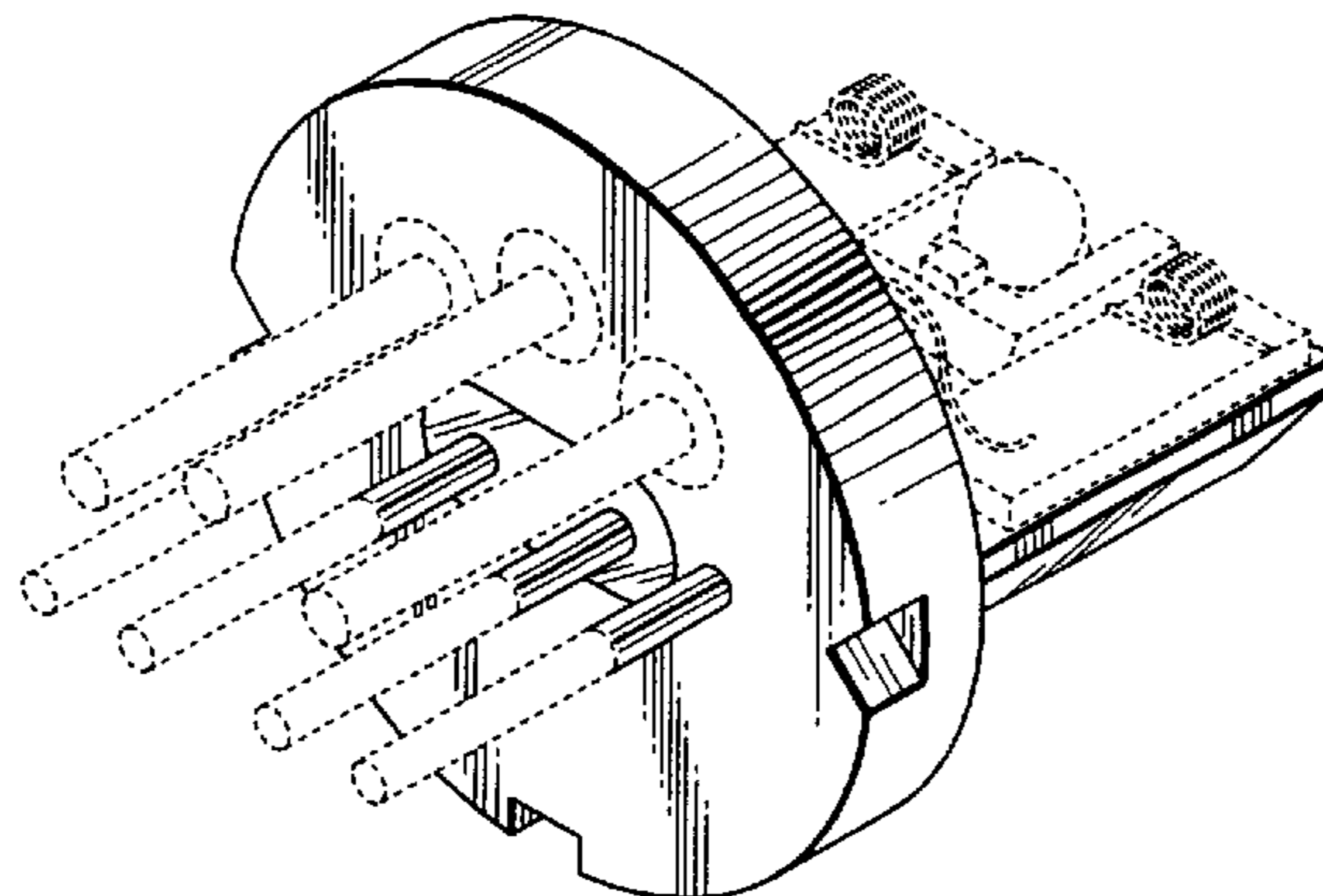
(57) **CLAIM**

The ornamental design for a optical package, as shown and described.

**DESCRIPTION**

FIG. 1 is a front, top and right side perspective view of a optical package, showing our new design;  
 FIG. 2 is a front elevational view thereof;  
 FIG. 3 is a rear elevational view thereof;  
 FIG. 4 is a top plan view thereof;  
 FIG. 5 is a bottom plan view thereof;  
 FIG. 6 is a right side elevational view thereof, the left side elevational view is omitted as that is symmetrical to the right side elevational view thereof;  
 FIG. 7 is a front, top and right side perspective view of a second embodiment of the optical package, showing our new design;  
 FIG. 8 is a front elevational view thereof;  
 FIG. 9 is a rear elevational view thereof;  
 FIG. 10 is a top plan view thereof;  
 FIG. 11 is a bottom plan view thereof;  
 FIG. 12 is a right side elevational view thereof, the left side elevational view is omitted as that is symmetrical to the right side elevational view thereof;  
 FIG. 13 is a front, top and right side perspective view of a third embodiment of the optical package, showing our new design;  
 FIG. 14 is a front elevational view thereof;  
 FIG. 15 is a rear elevational view thereof;  
 FIG. 16 is a top plan view thereof;  
 FIG. 17 is a bottom plan view thereof; and,  
 FIG. 18 is a right side elevational view thereof, the left side elevational view is omitted as that is symmetrical to the right side elevational view thereof.  
 The broken lines in all views are shown for illustrative purposes only and form no part of the claimed design.

**1 Claim, 6 Drawing Sheets**



# US D505,664 S

Page 2

---

U.S. PATENT DOCUMENTS					
5,814,871	A *	9/1998	Furukawa et al. ....	257/433	6,479,889 B1 * 11/2002 Yoshida et al. .... 257/678
6,181,720	B1 *	1/2001	Kanemoto et al. ....	372/43	D476,296 S * 6/2003 Koizumi ..... D13/182
					6,577,656 B2 * 6/2003 Chen et al. .... 372/36
					6,587,491 B1 * 7/2003 Yamamoto ..... 372/43

FIG. 1

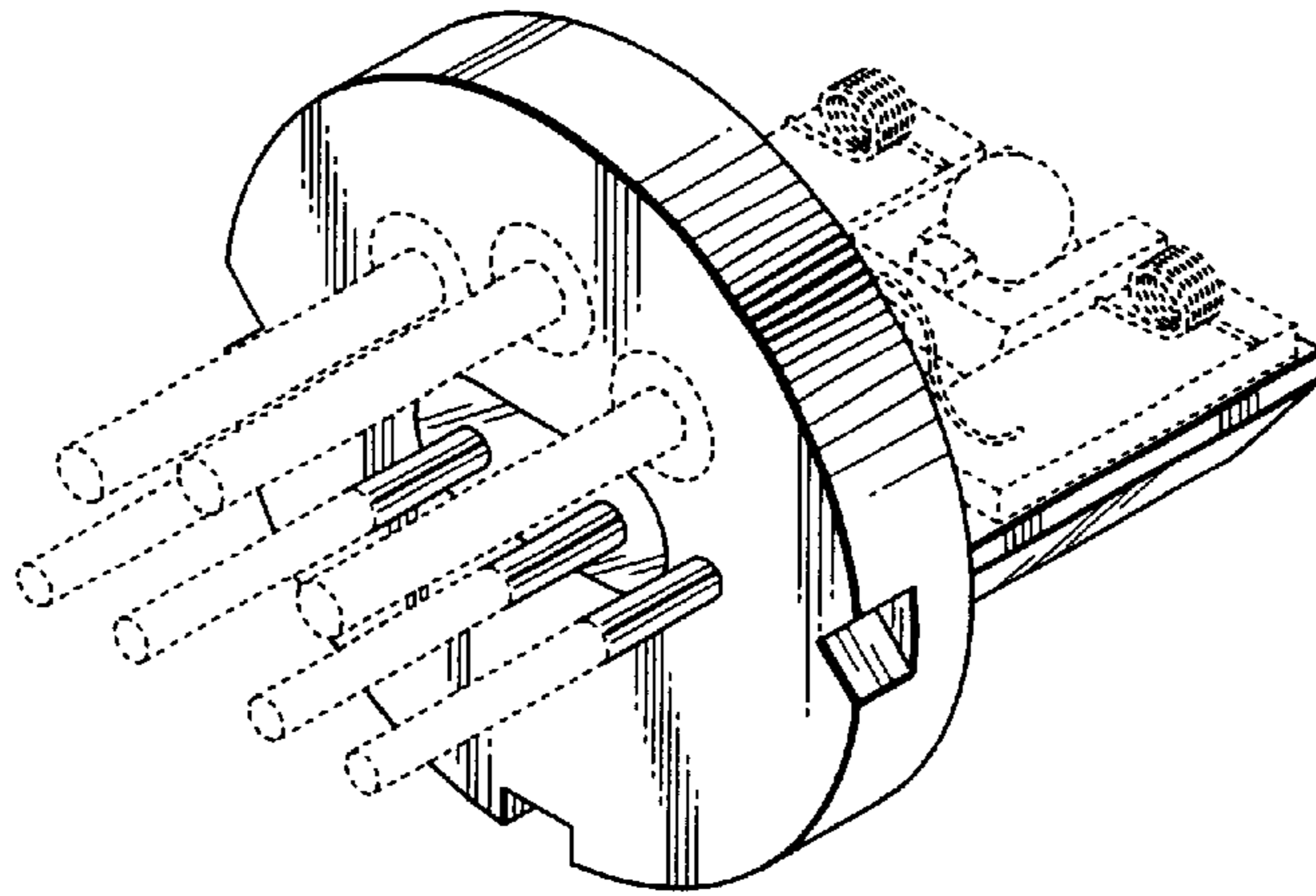


FIG. 2

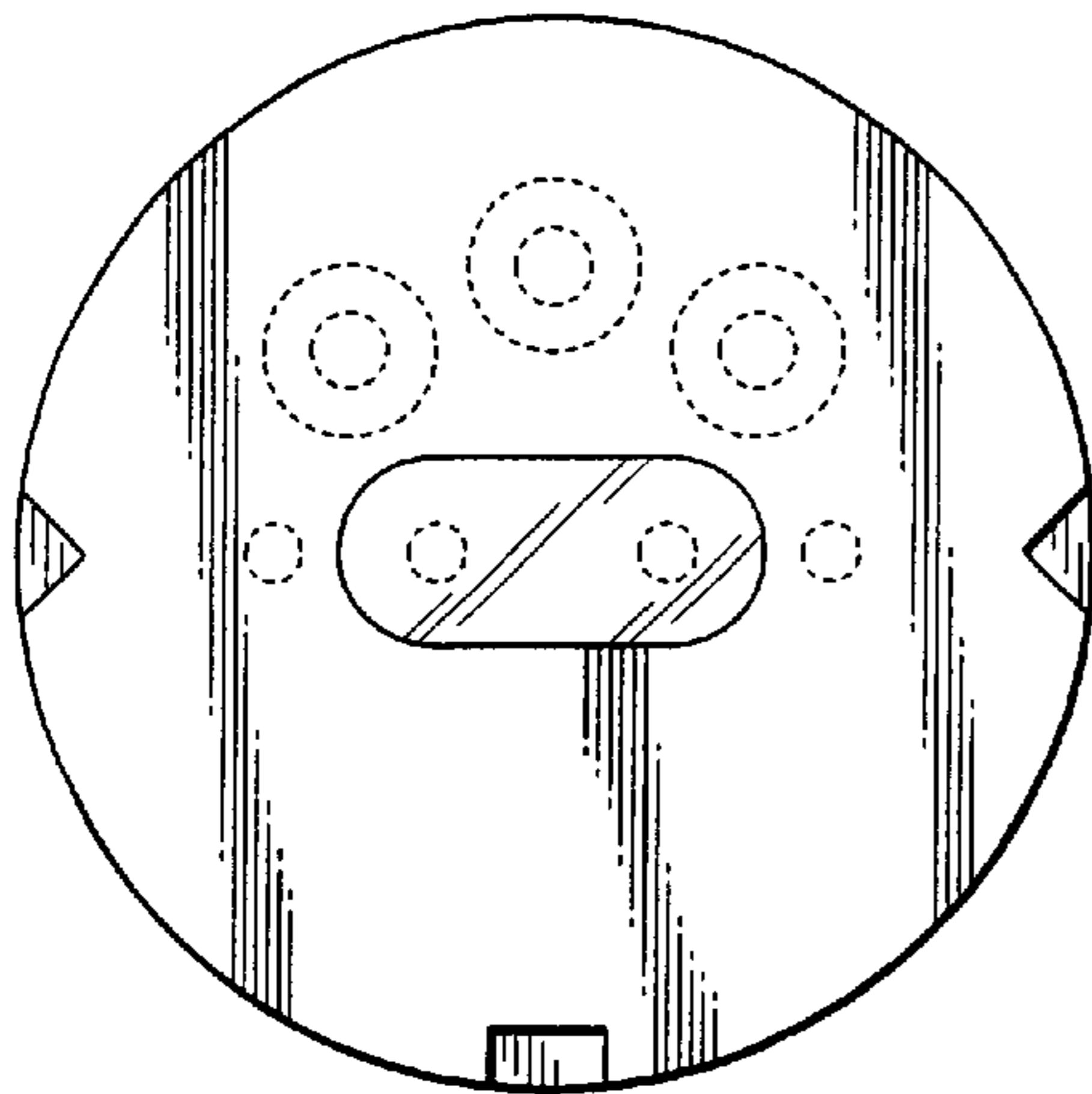


FIG. 3

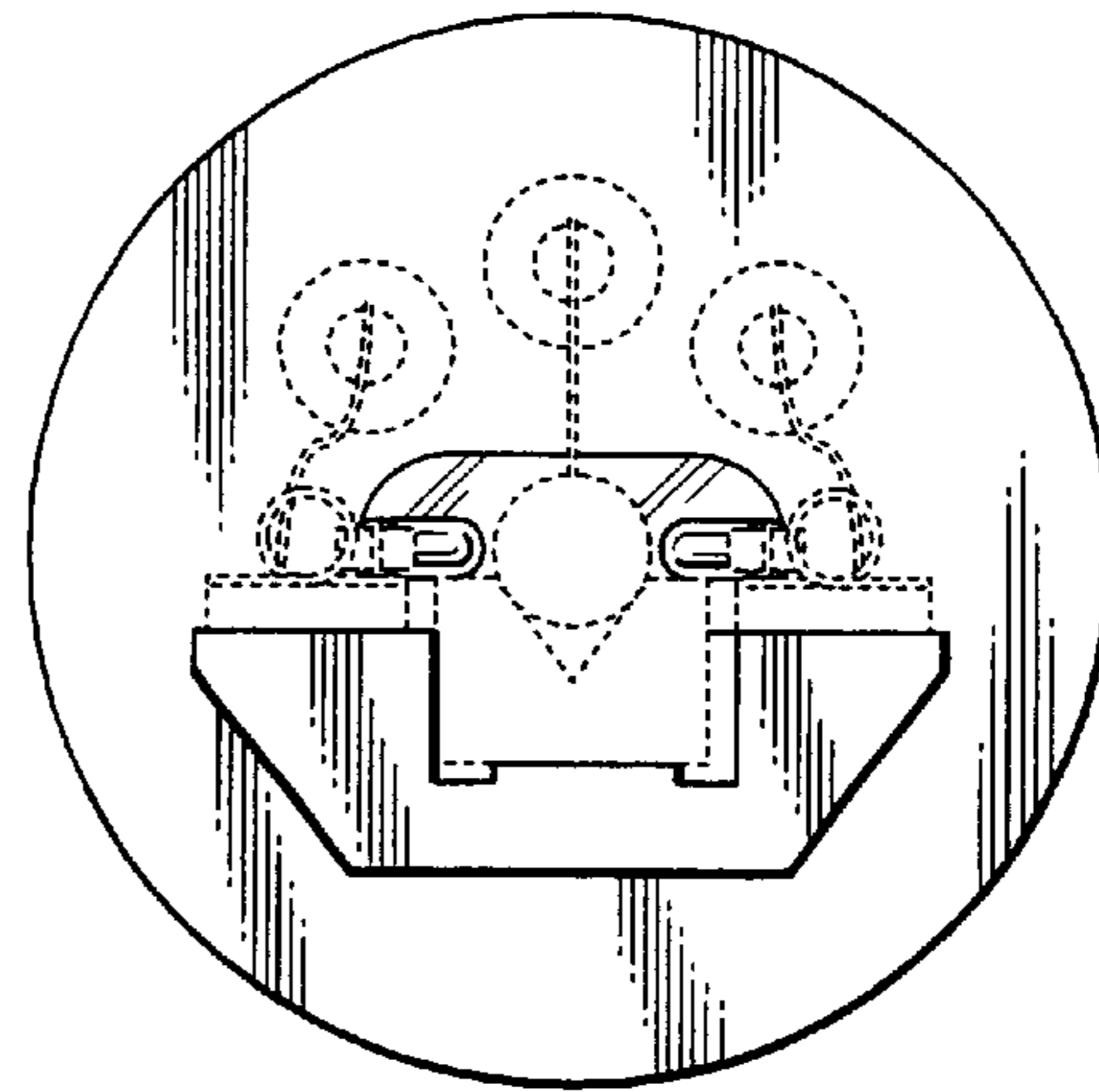


FIG.4

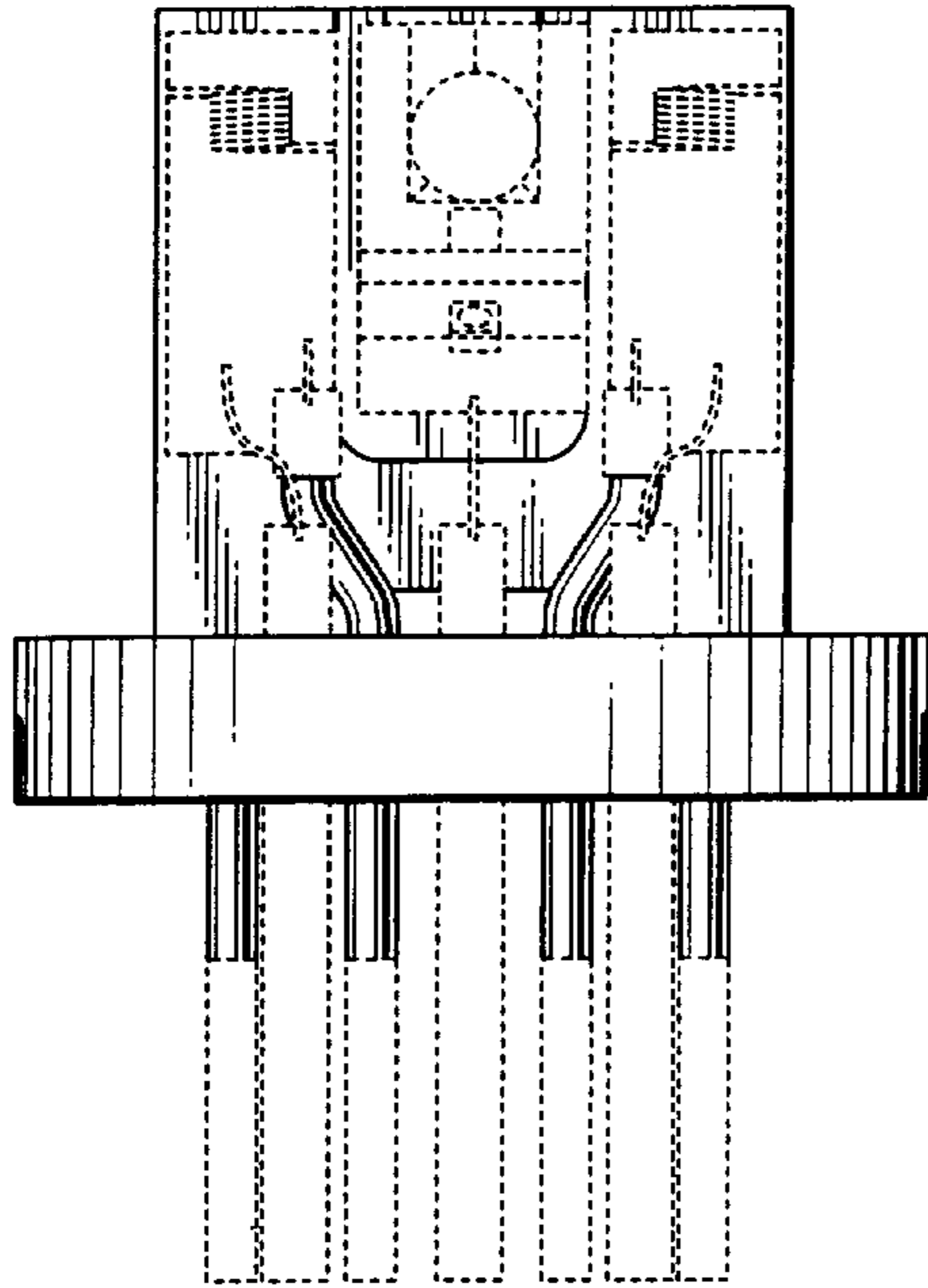


FIG.5

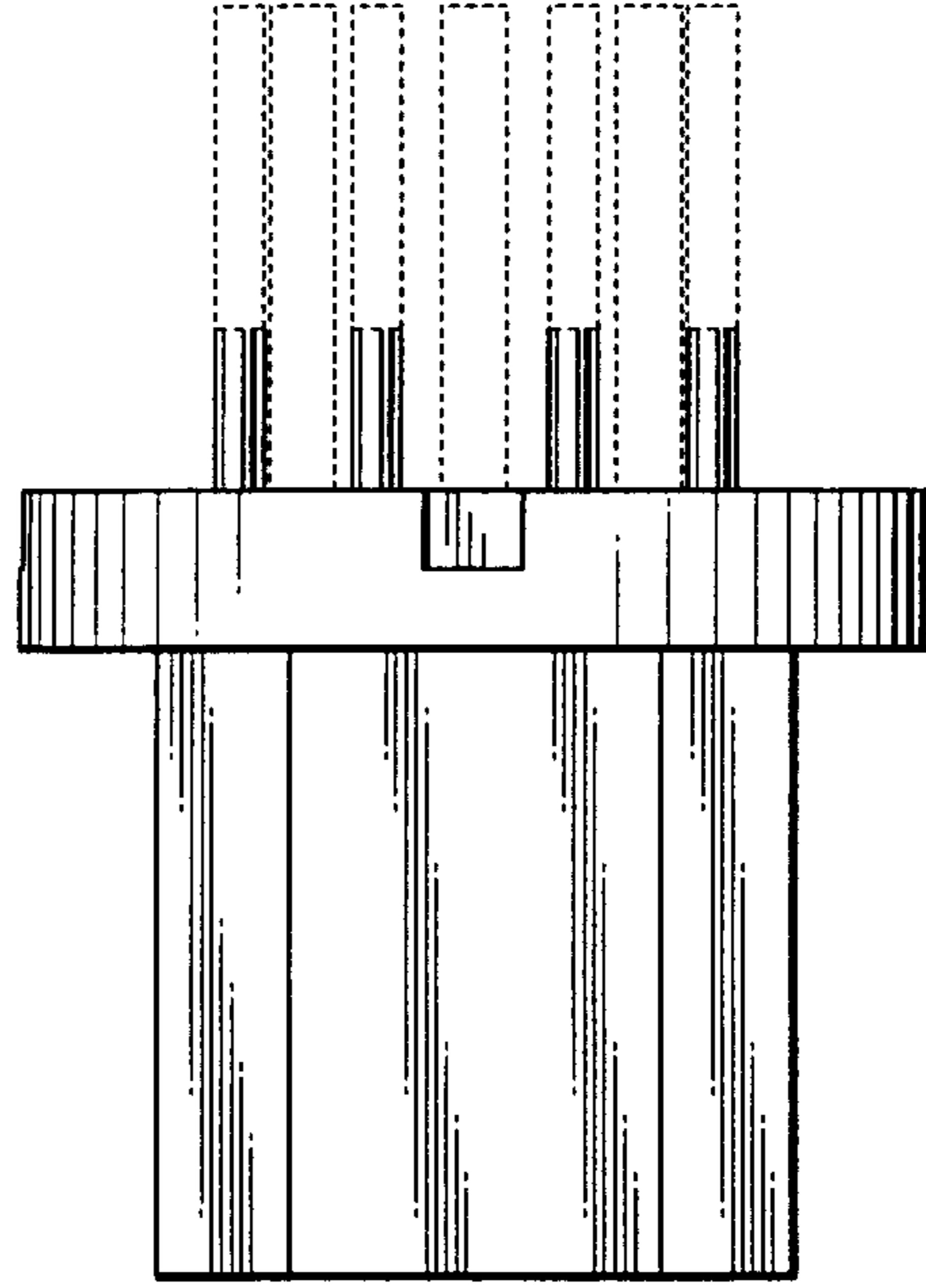


FIG.6

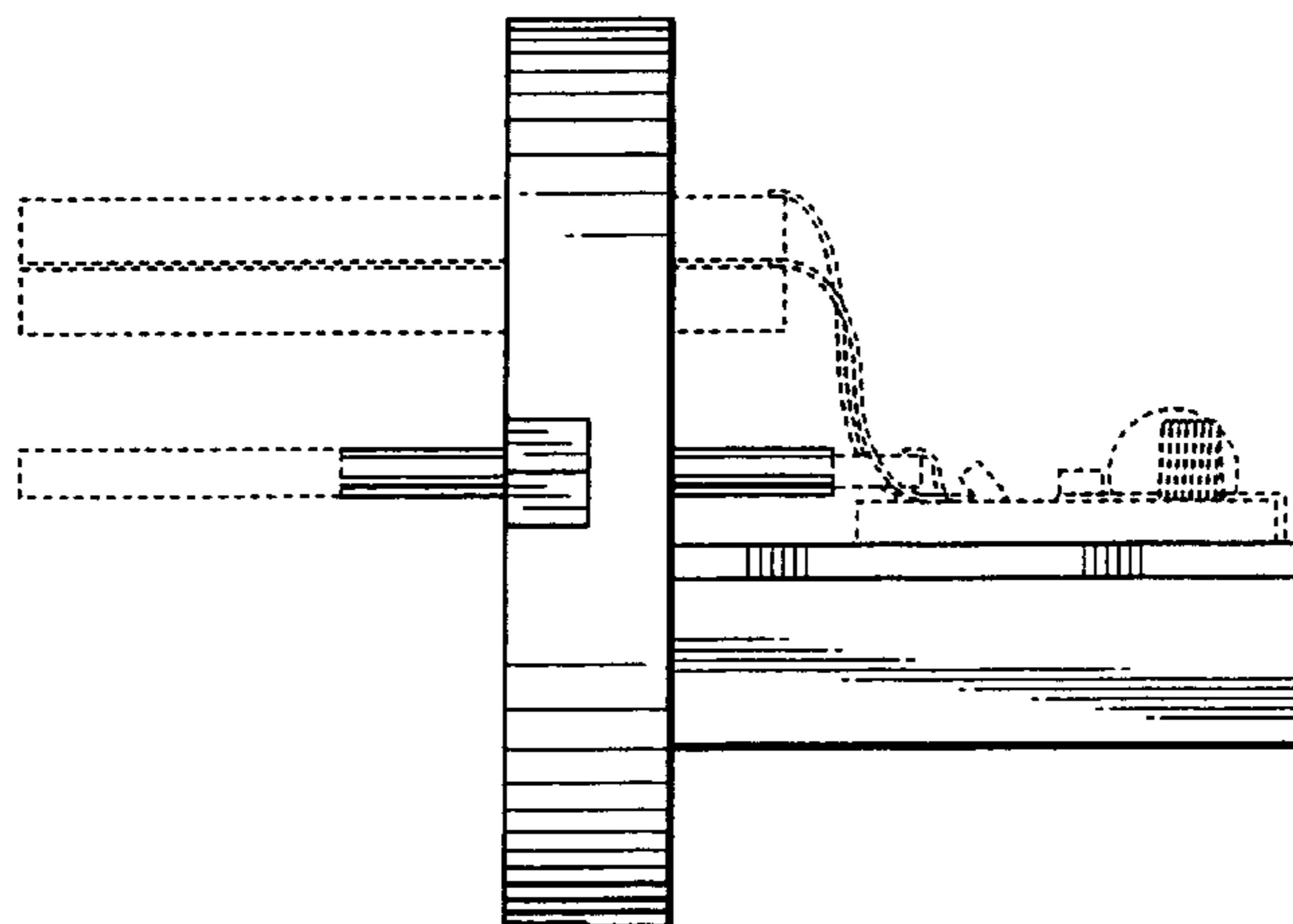


FIG.7

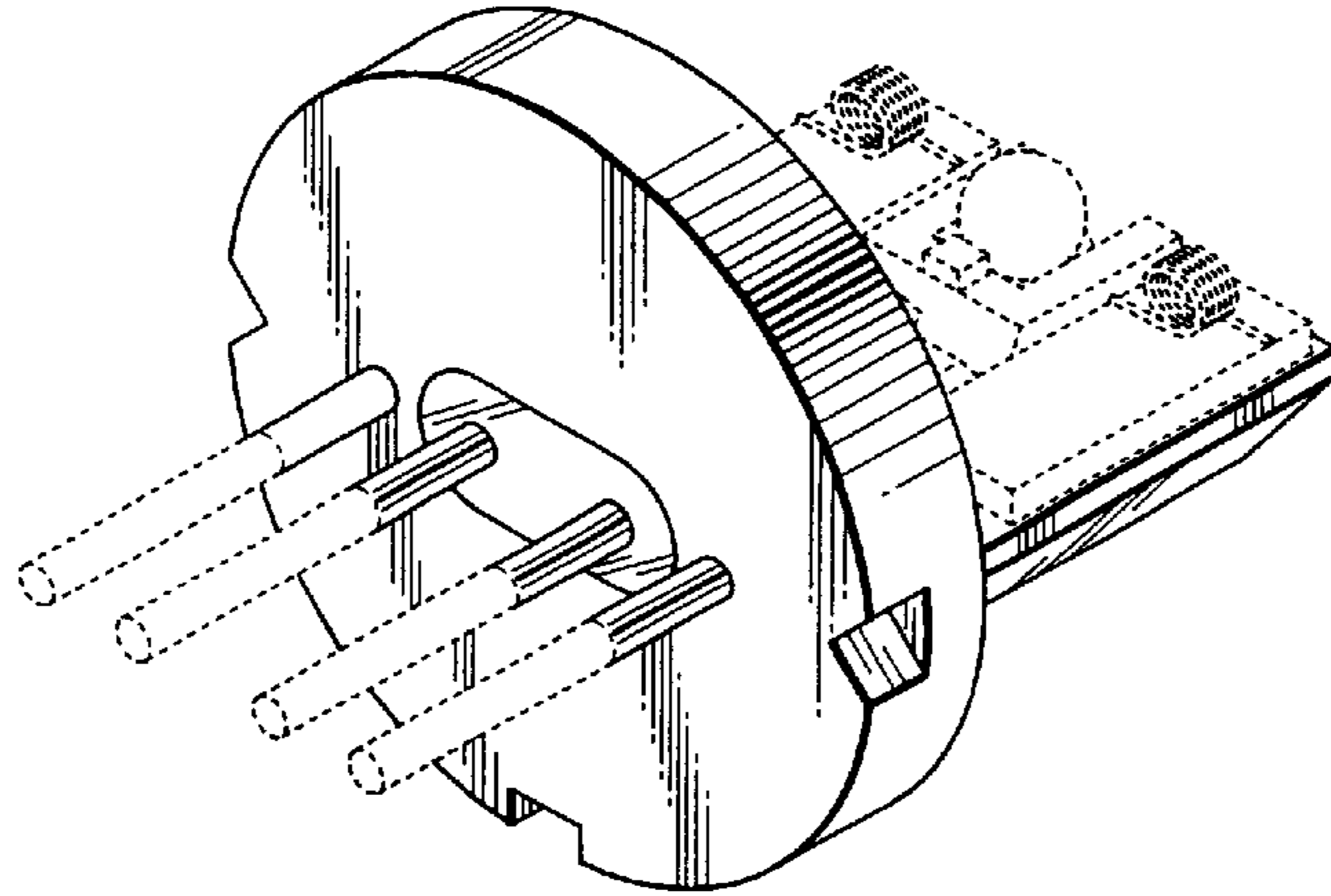


FIG.8

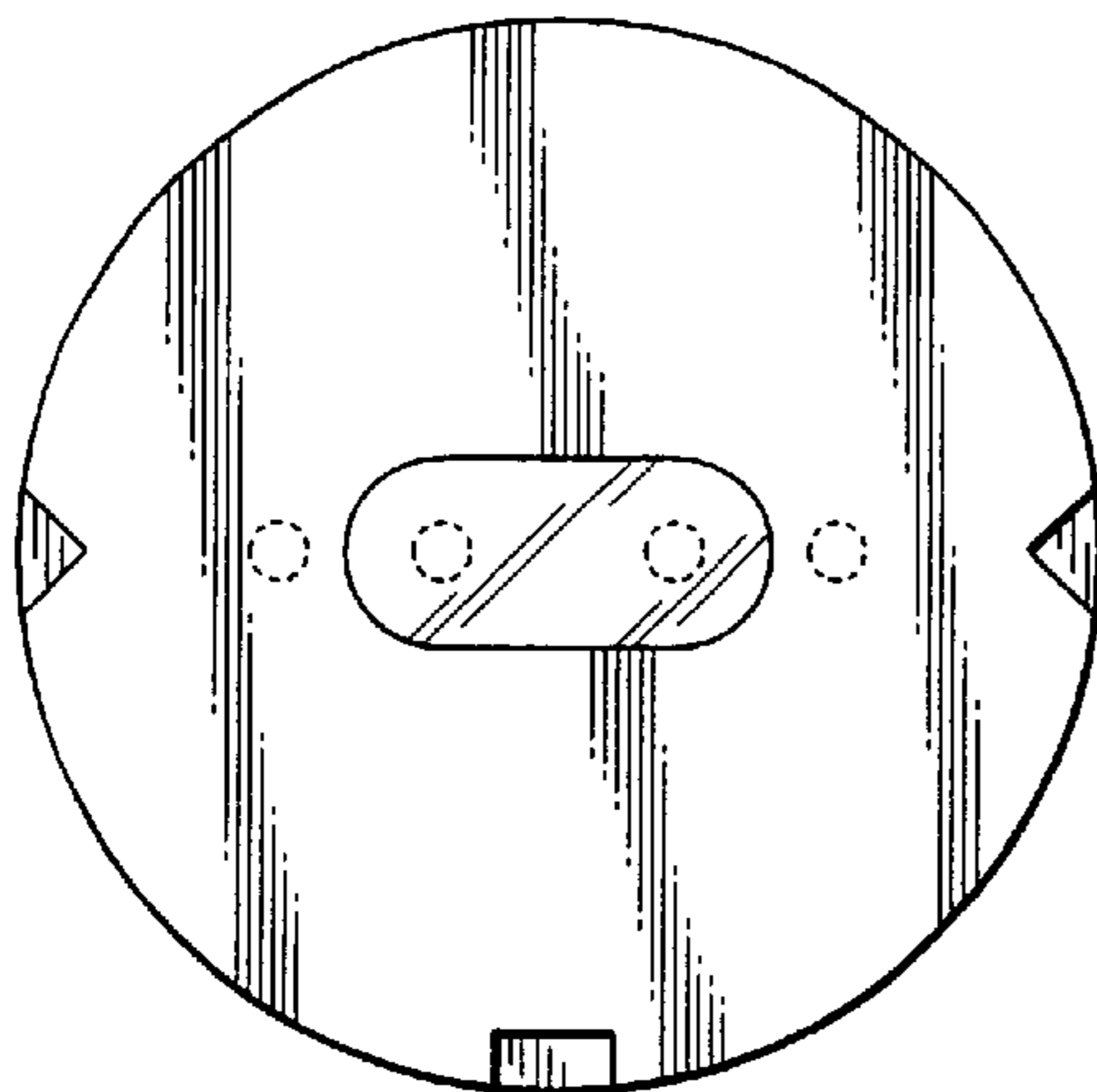


FIG.9

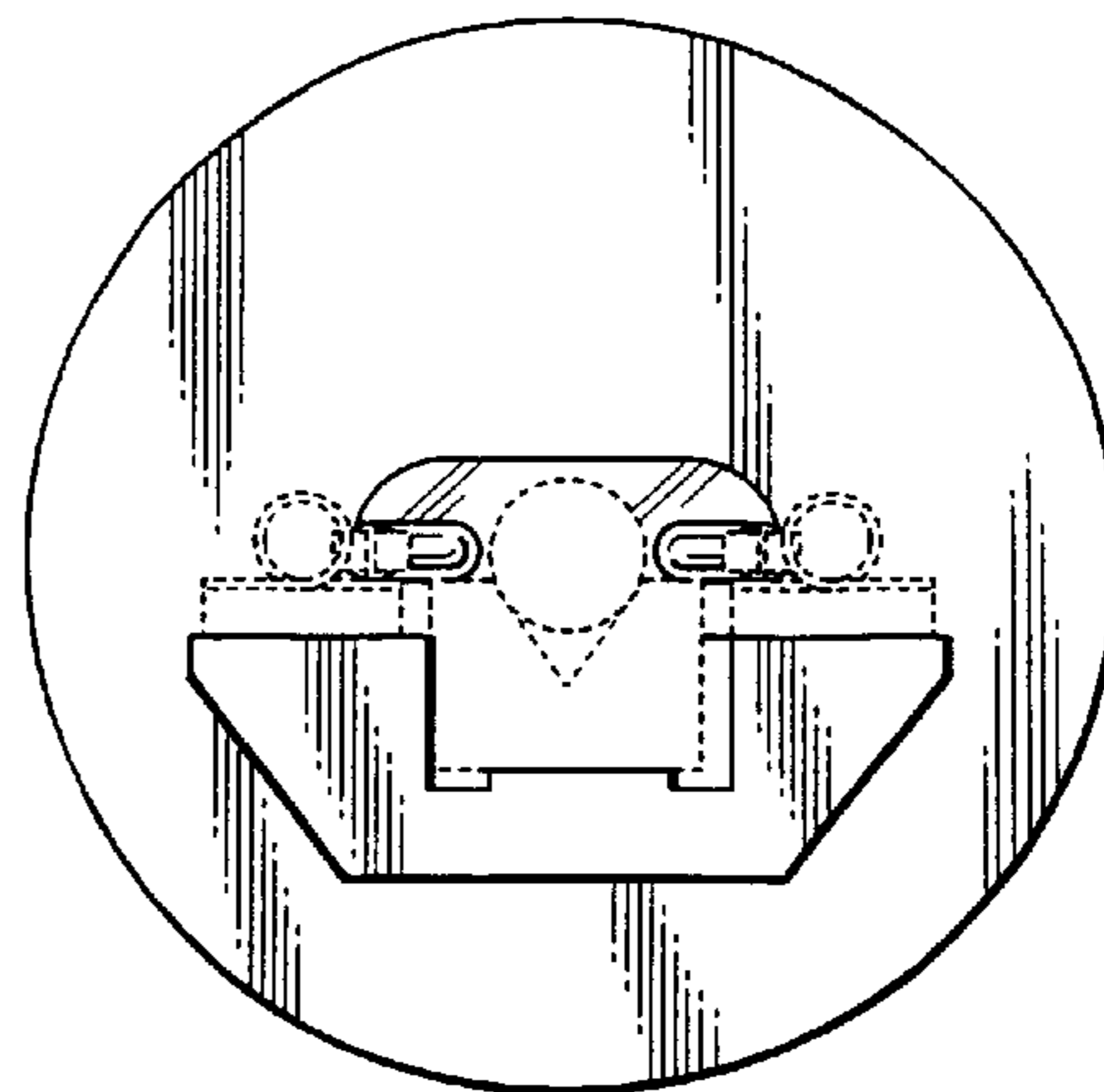


FIG.10

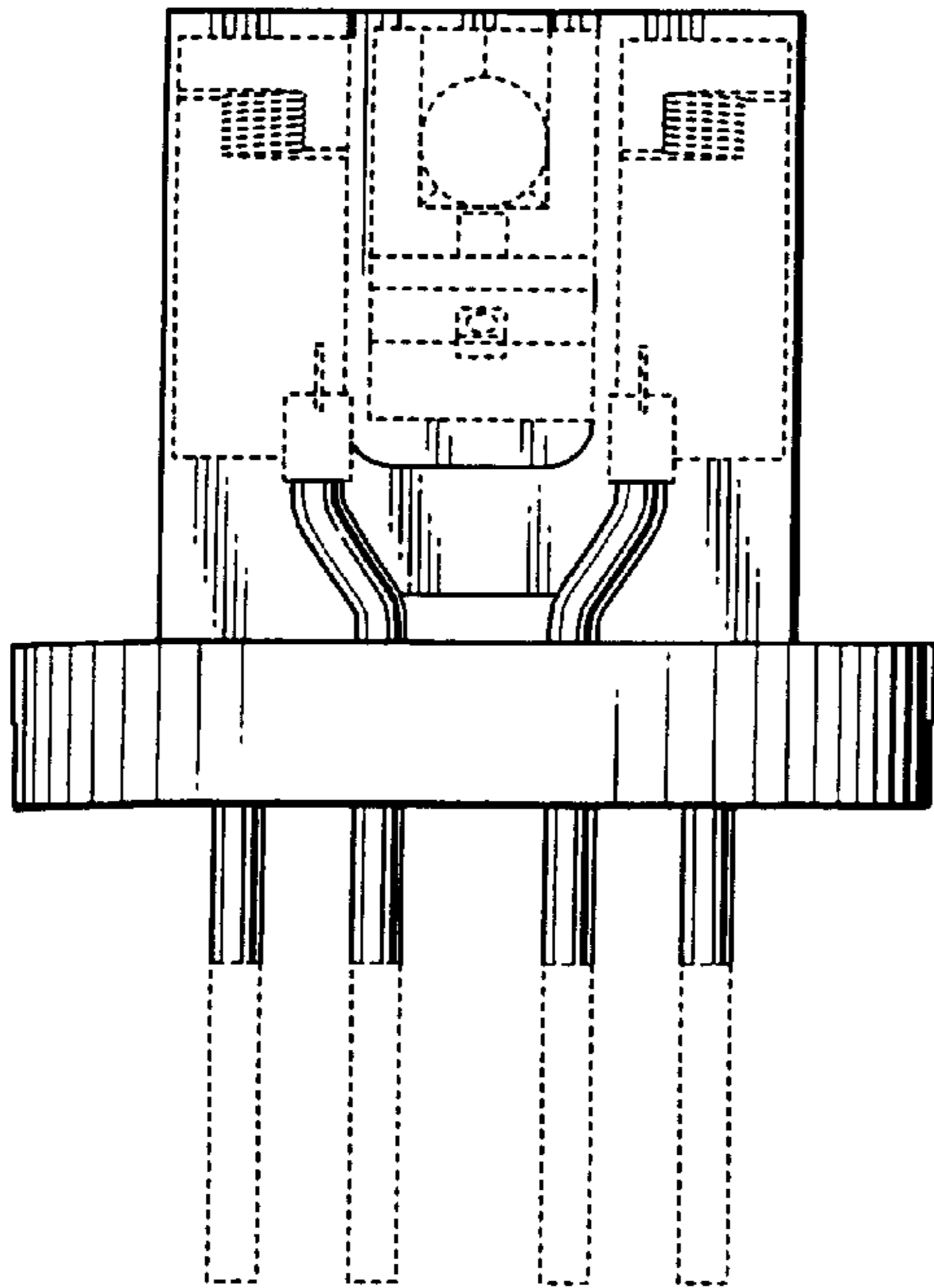


FIG.11

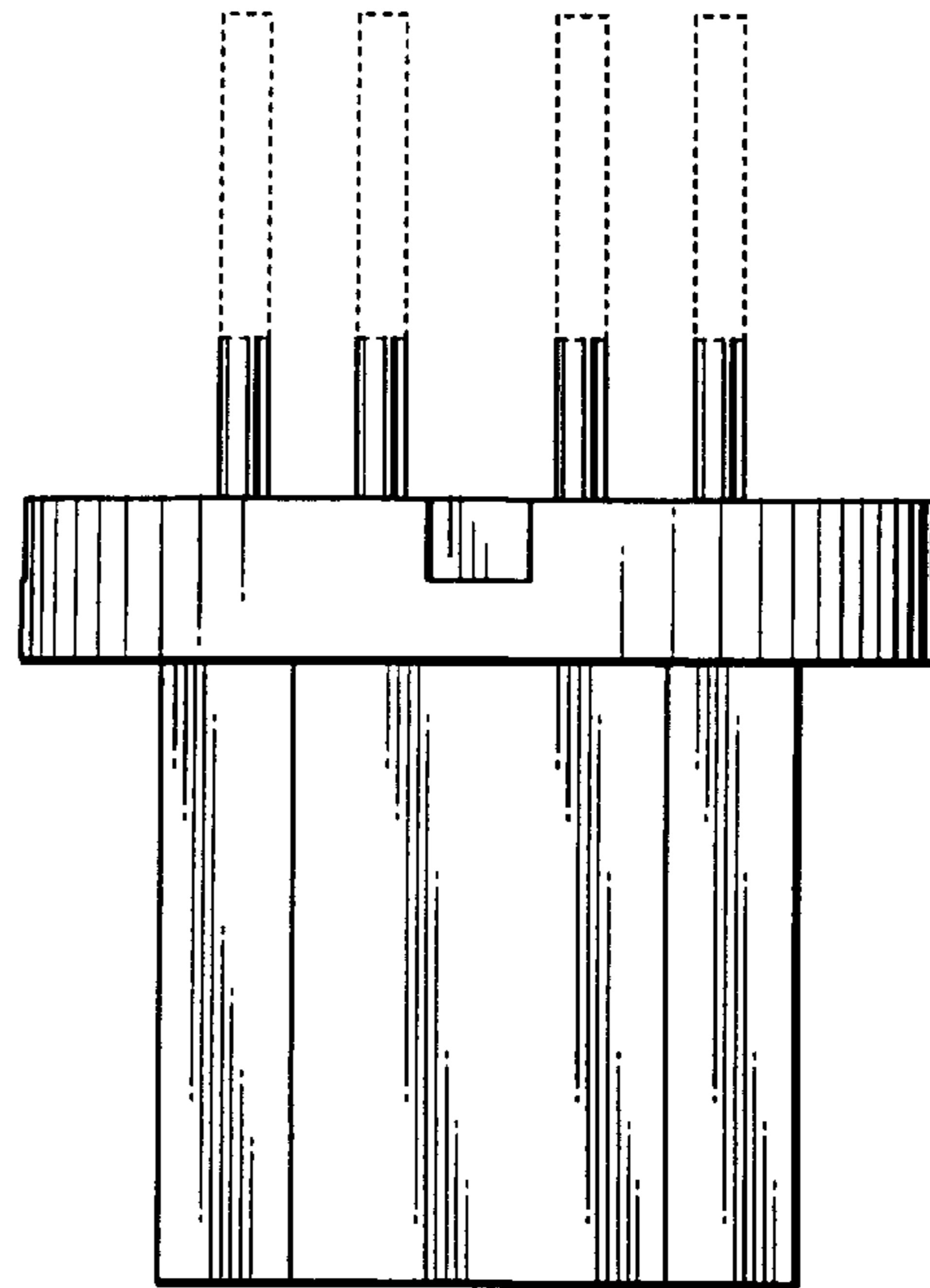


FIG.12

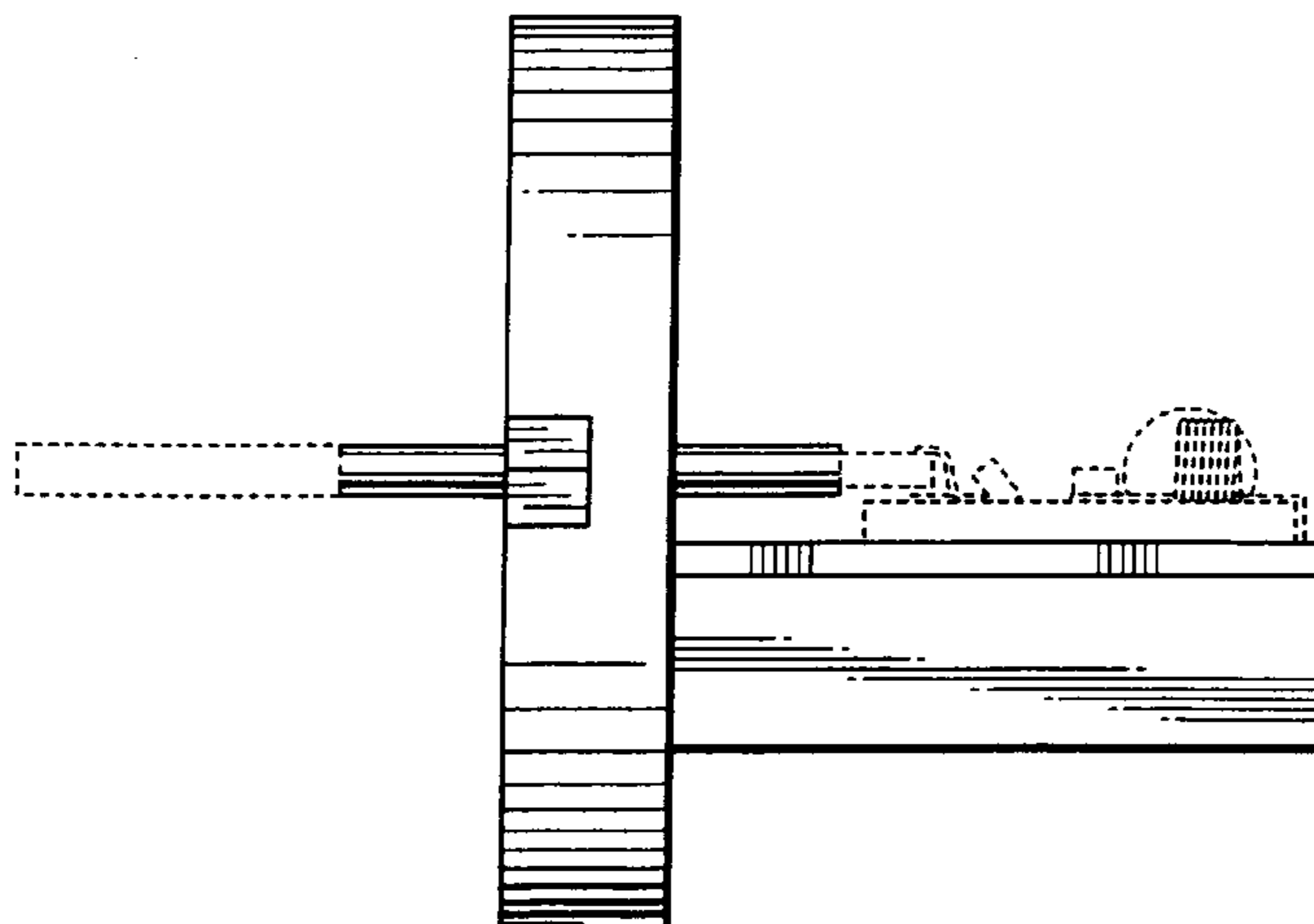


FIG.13

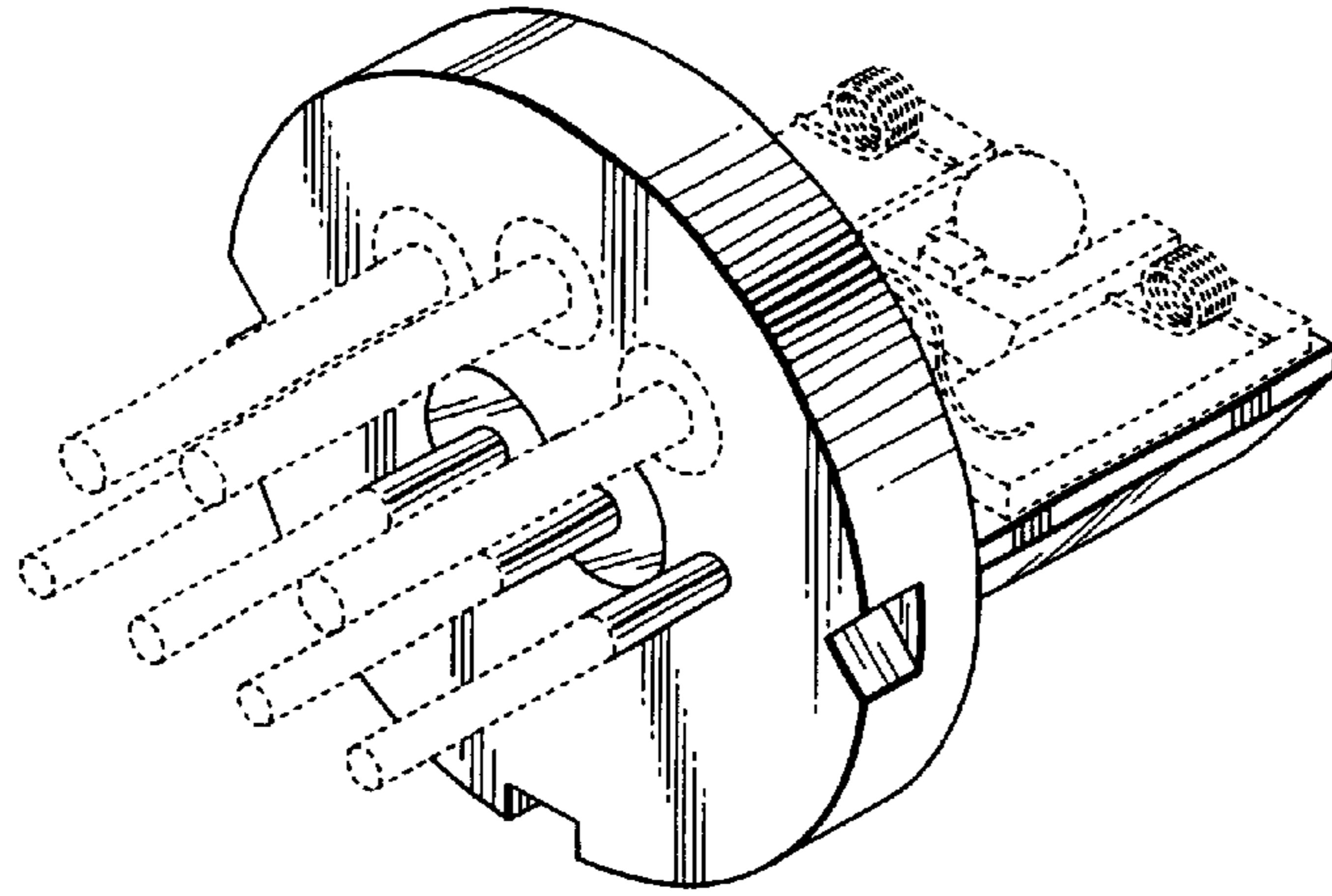


FIG.14

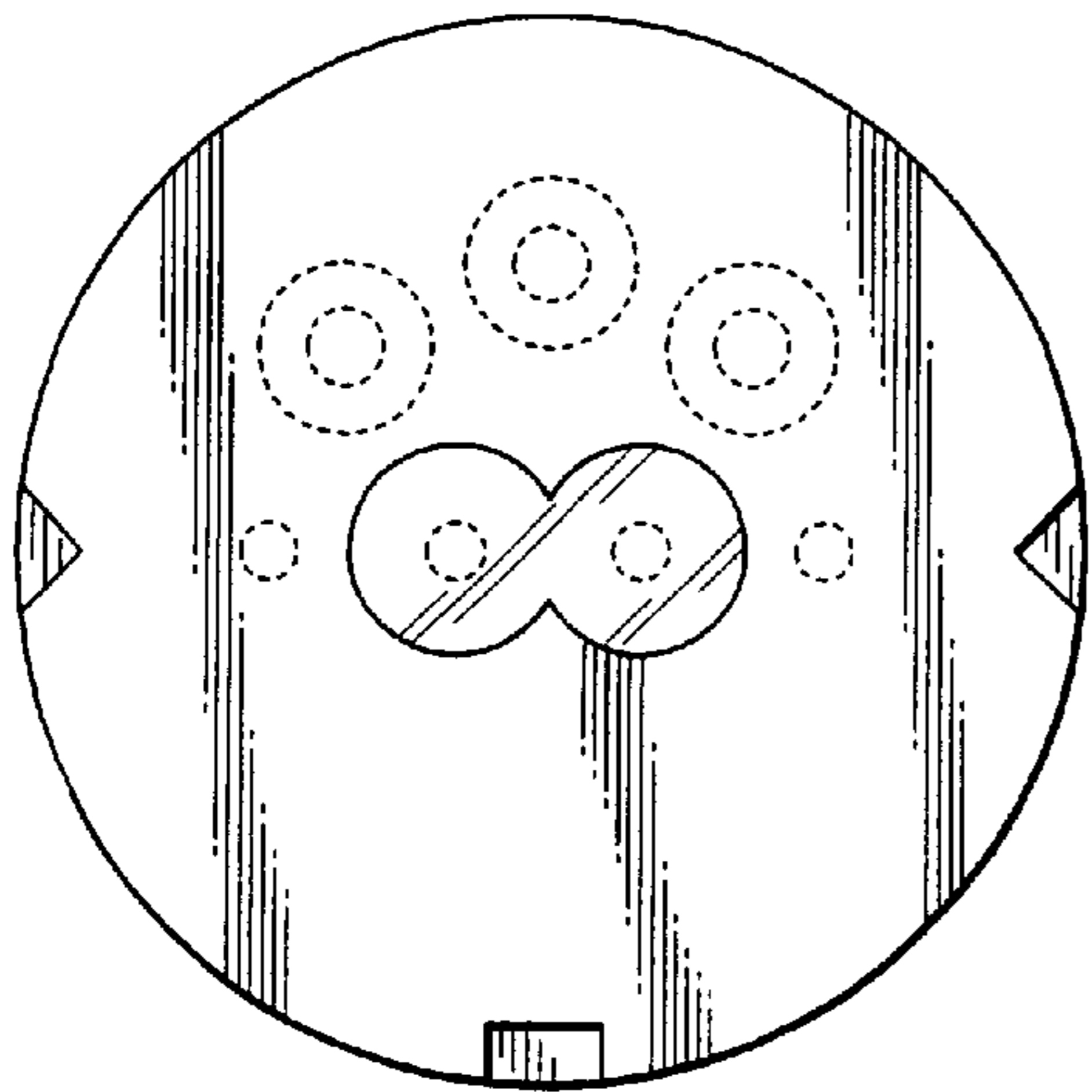


FIG.15

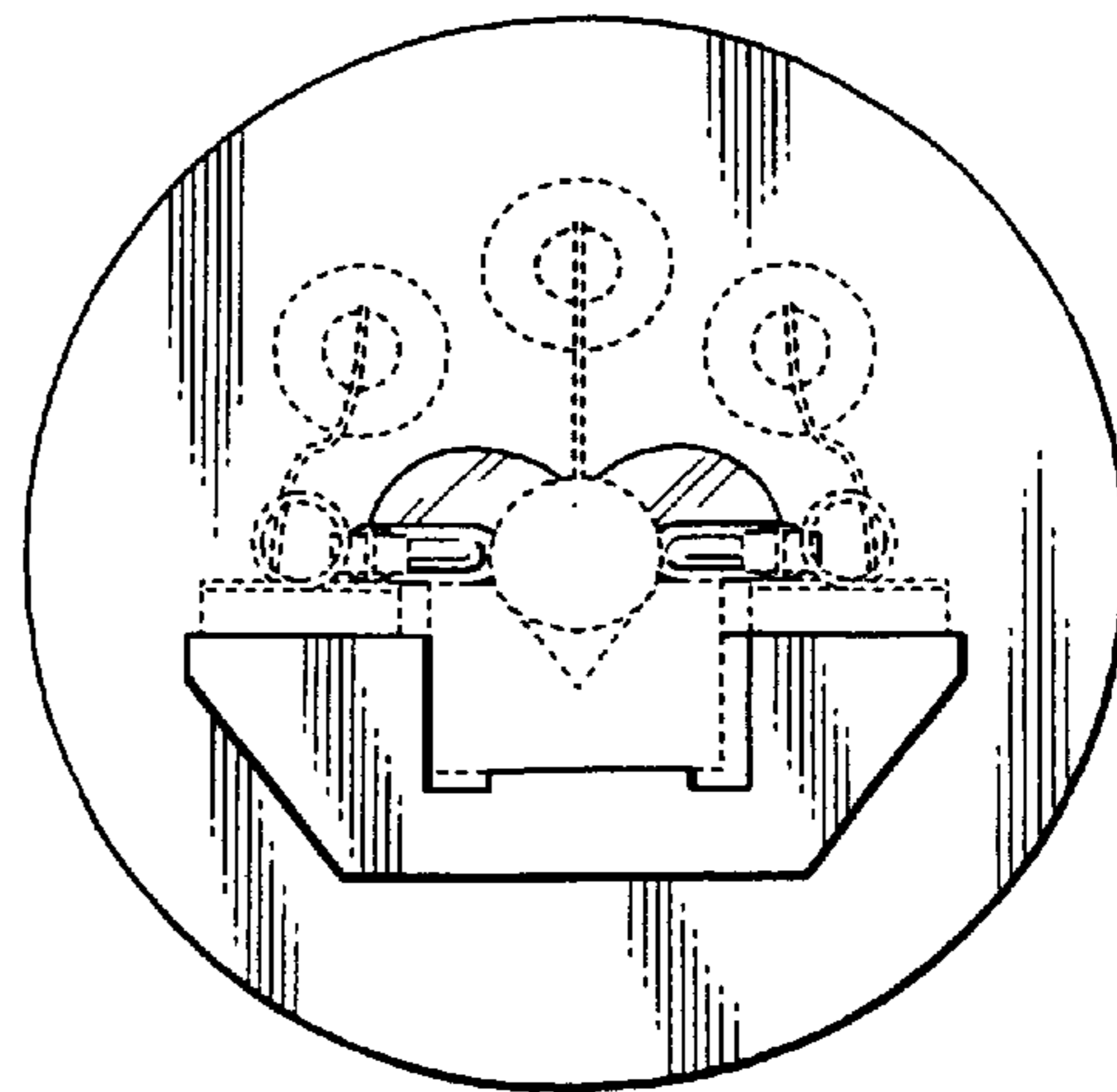


FIG.16

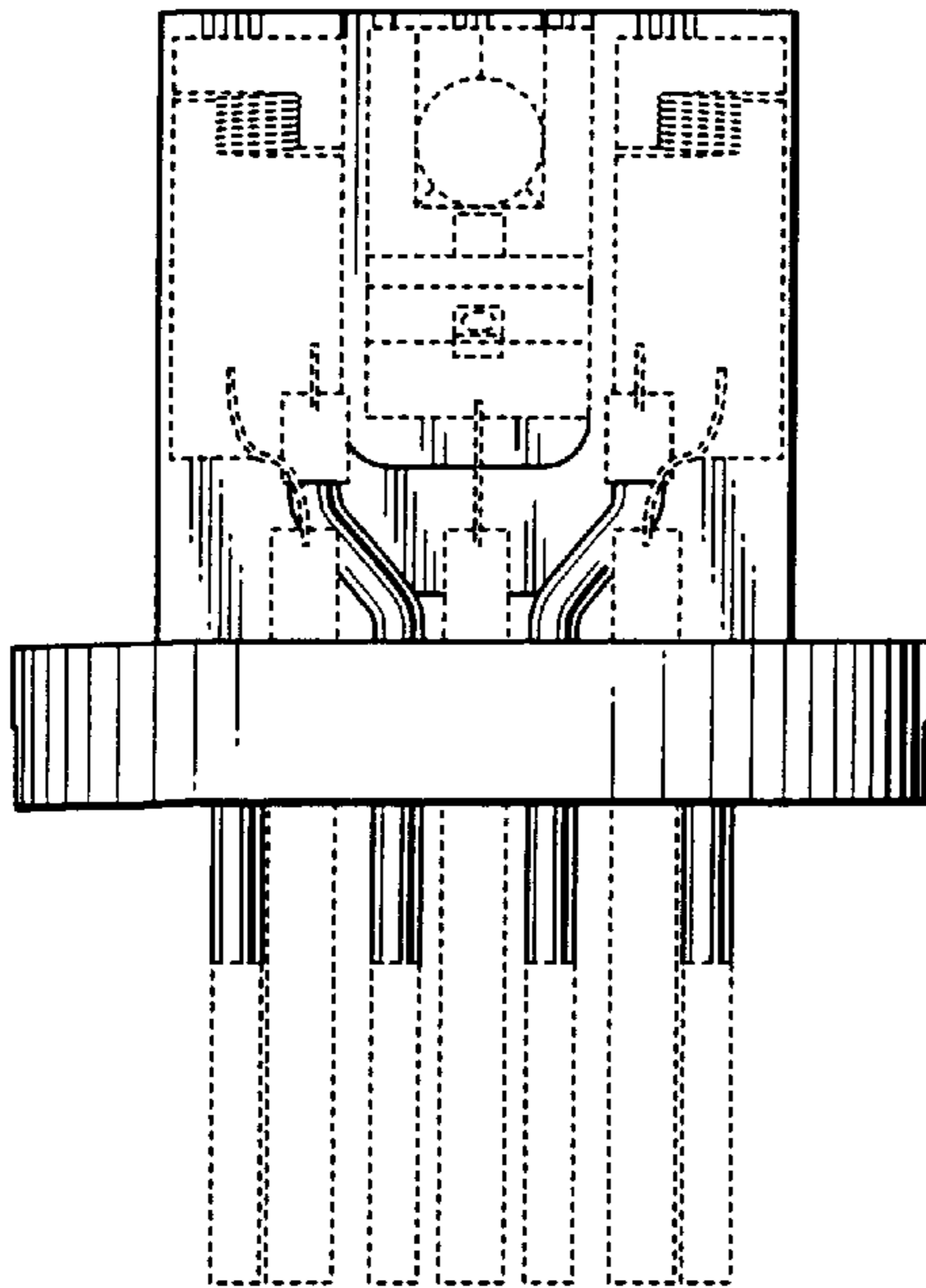


FIG.17

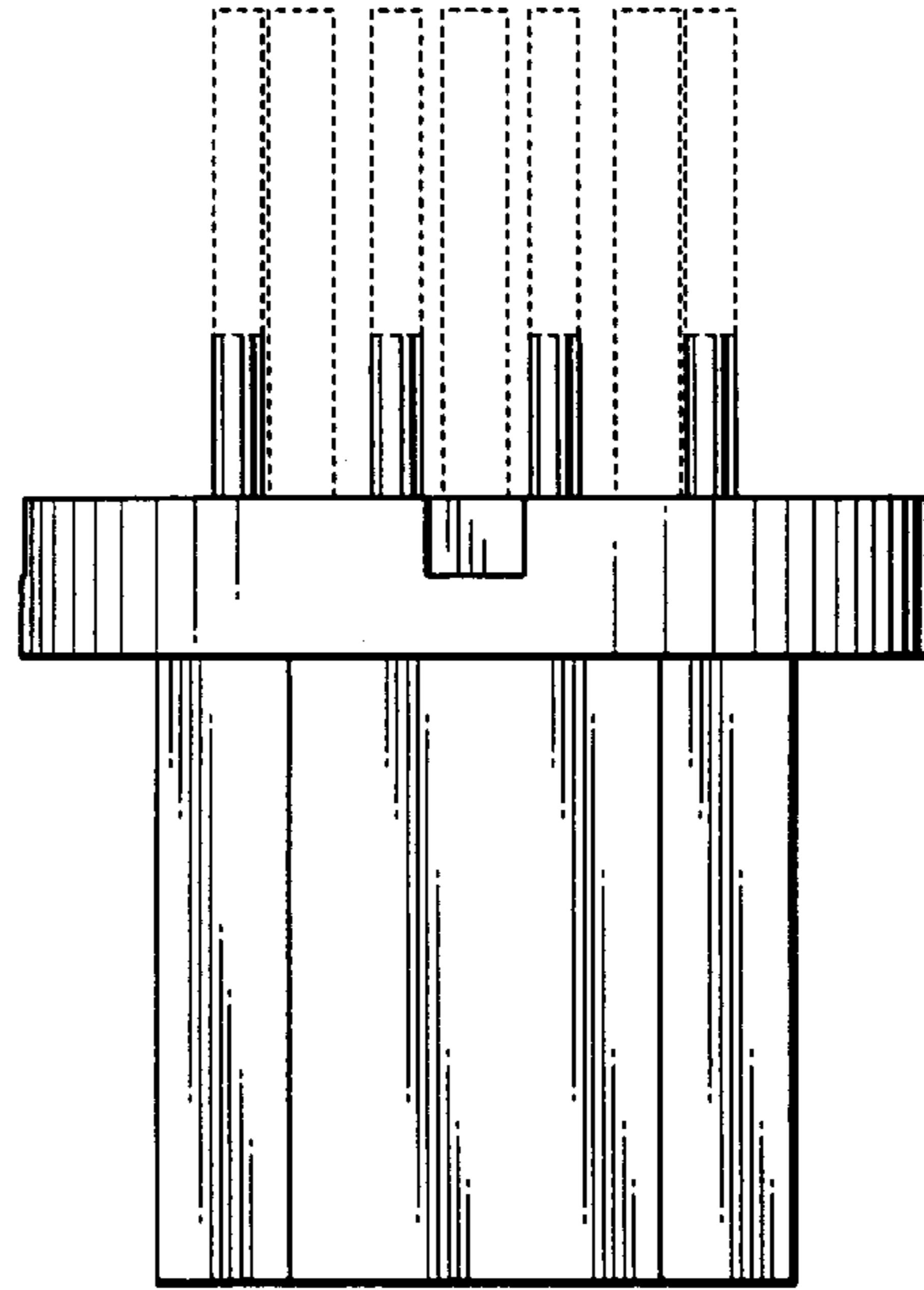


FIG.18

