

US00D505663S

(12) **United States Design Patent** (10) **Patent No.:** **US D505,663 S**
Moriyama et al. (45) **Date of Patent:** **** May 31, 2005**

(54) **LED HOLDER**

(75) Inventors: **Hideo Moriyama**, Tokyo (JP);
Kiyotoshi Hoshikawa, Tokyo (JP);
Kanji Tajima, Tokyo (JP); **Yutaka**
Hirasawa, Tokyo (JP)

(73) Assignee: **Moriyama Sangyo Kabushiki Kaisha**,
Tokyo (JP)

(**) Term: **14 Years**

(21) Appl. No.: **29/197,920**

(22) Filed: **Jan. 21, 2004**

(51) **LOC (7) Cl.** **13-03**

(52) **U.S. Cl.** **D13/180**

(58) **Field of Search** D13/180, 182;
174/52.4; 257/91, 99, 431, 433, 666, 81;
315/169.2, 169.3; 361/767; 362/249, 582;
372/34; 438/124

(56) **References Cited**

U.S. PATENT DOCUMENTS

5,404,282	A	*	4/1995	Klinke et al.	362/249
6,386,733	B1	*	5/2002	Ohkohdo et al.	362/249
6,421,249	B1	*	7/2002	Trombley et al.	361/767
6,422,716	B2	*	7/2002	Henrici et al.	362/249
6,501,084	B1	*	12/2002	Sakai et al.	250/504 R
6,703,703	B2	*	3/2004	Grant	257/688

* cited by examiner

Primary Examiner—Stella Reid
Assistant Examiner—Selina Sikder

(74) *Attorney, Agent, or Firm*—Marshall & Melhorn, LLC

(57) **CLAIM**

The ornamental design for an LED holder, as shown and described.

DESCRIPTION

FIG. 1 is a perspective view of an LED holder showing our new design;

FIG. 2 is a top view thereof, a bottom view being a mirror image thereof;

FIG. 3 is a front view thereof;

FIG. 4 is a right side view thereof, a left side view being a mirror image thereof;

FIG. 5 is a rear view thereof;

FIG. 6 is a cross-sectional view thereof taken along the line VI—VI in FIG. 3;

FIG. 7 is an illustrative perspective view showing an LED holder holding a chip-type LED and a pair of chip-type resistors, the LED and resistors being shown in broken lines and forming no part of the claimed design;

FIG. 8 is another illustrative perspective view showing an LED holder in combination with a number of like LED holders, each holder holding a chip-type LED wherein the LEDs and additional LED holders are shown in broken lines and form no part of the claimed design; and,

FIG. 9 is another illustrative perspective view showing an LED holder holding a bullet-type LED and a chip-type resistor, the LED and resistor being shown in broken lines and forming no part of the claimed design.

1 Claim, 6 Drawing Sheets

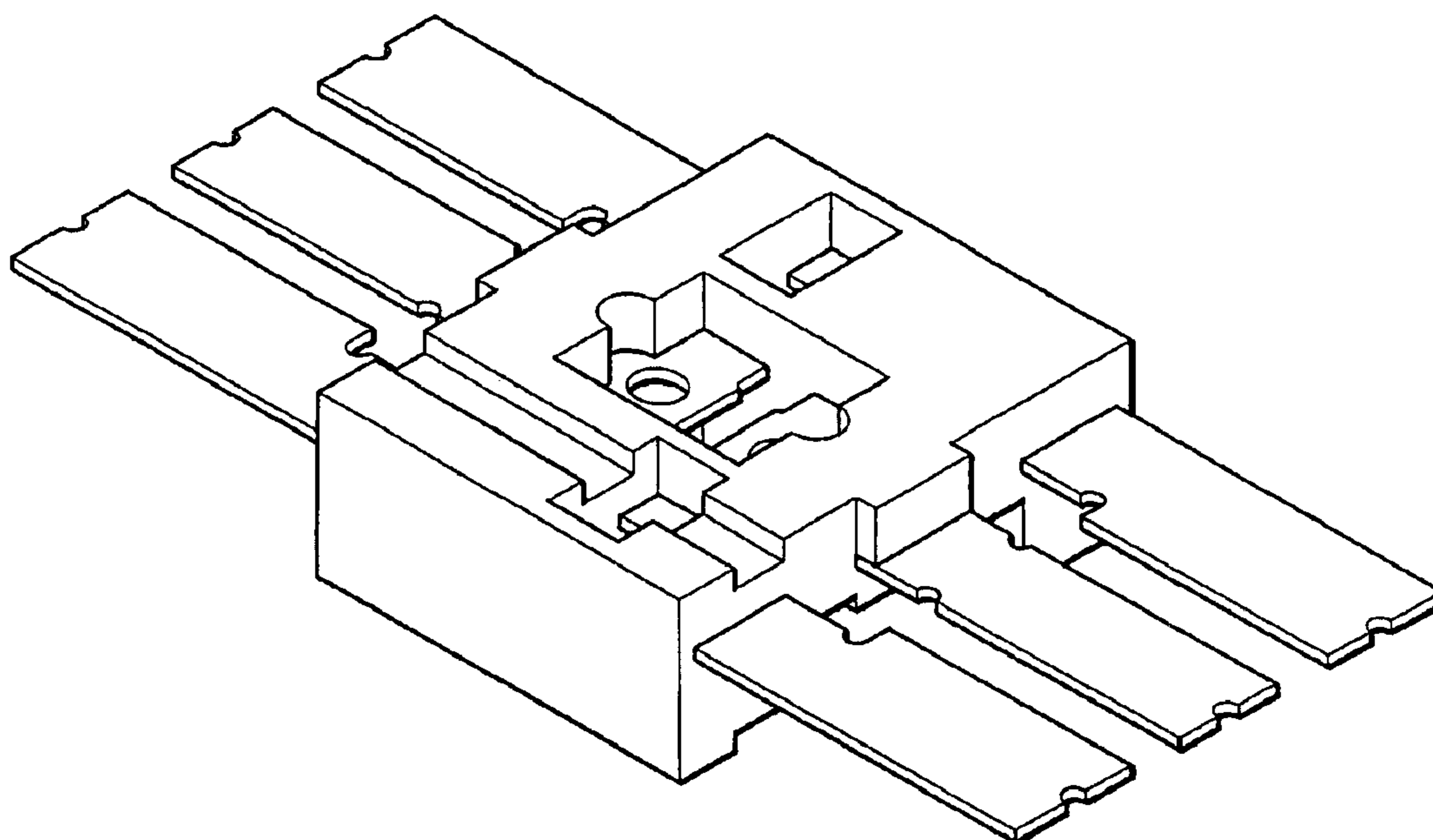


Fig. 1

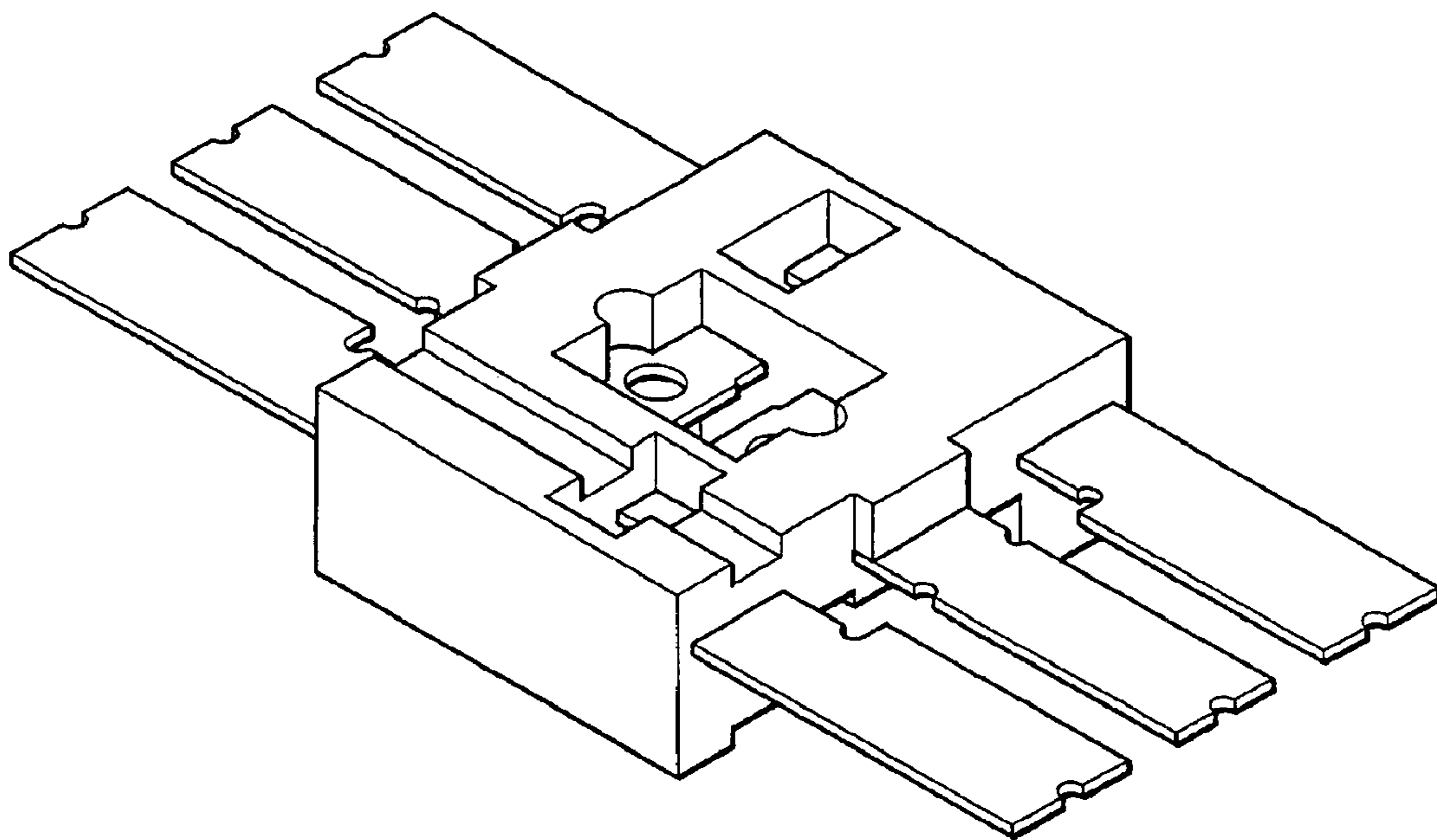


Fig.2



Fig.3

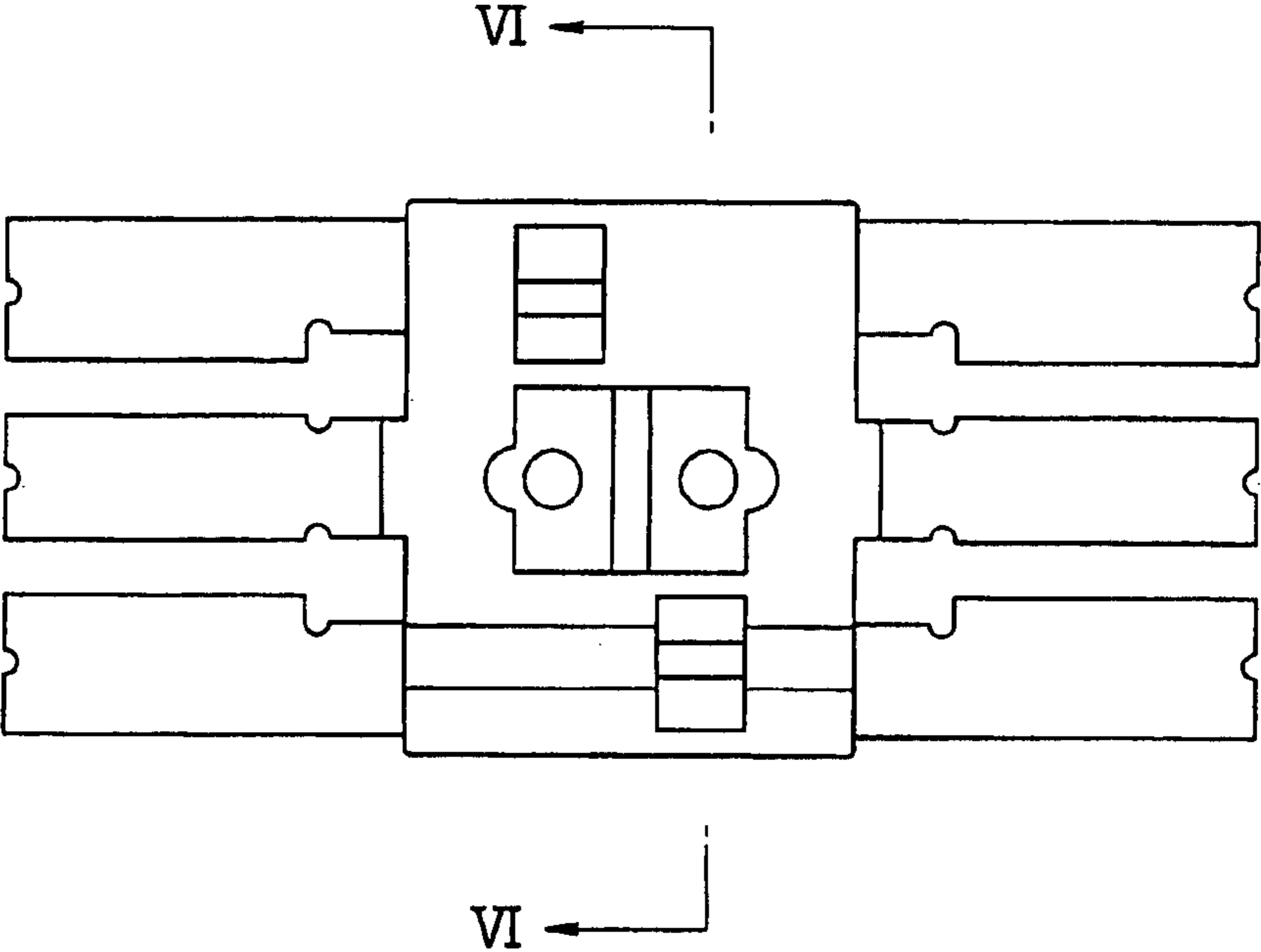


Fig.4

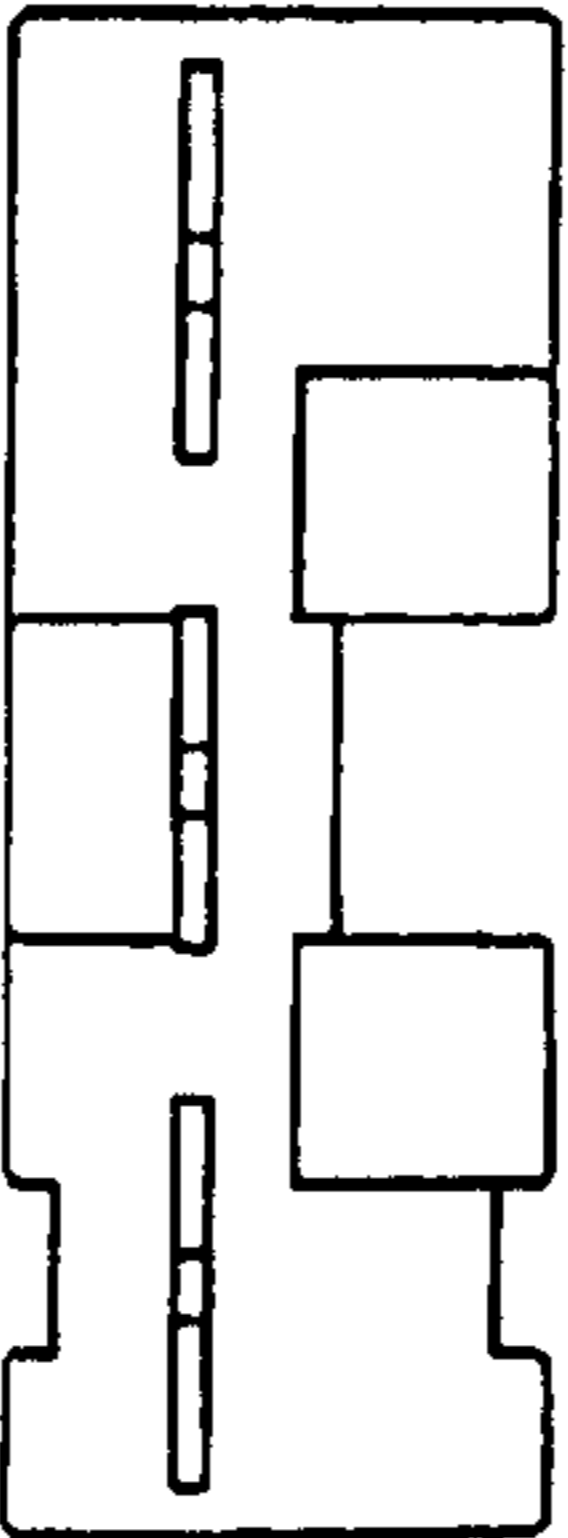


Fig. 5

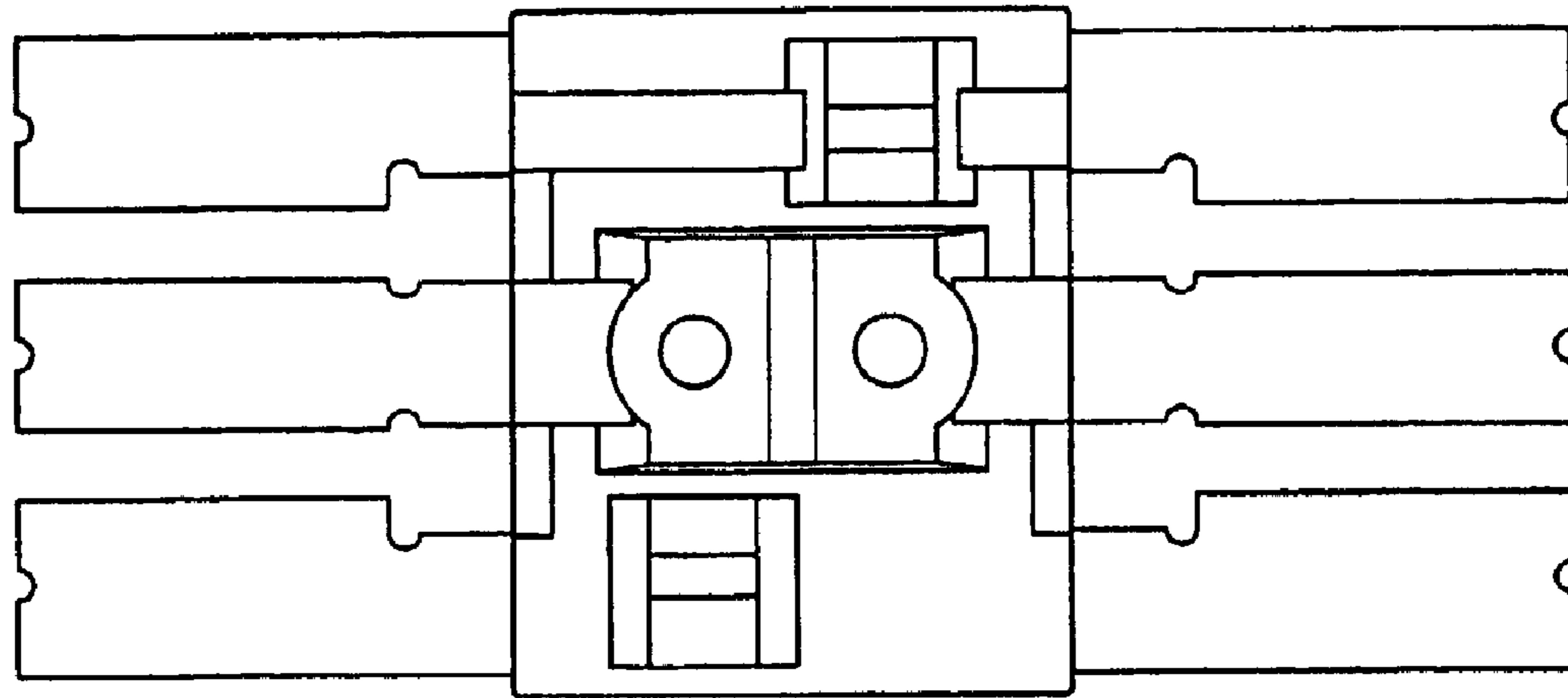


Fig. 6

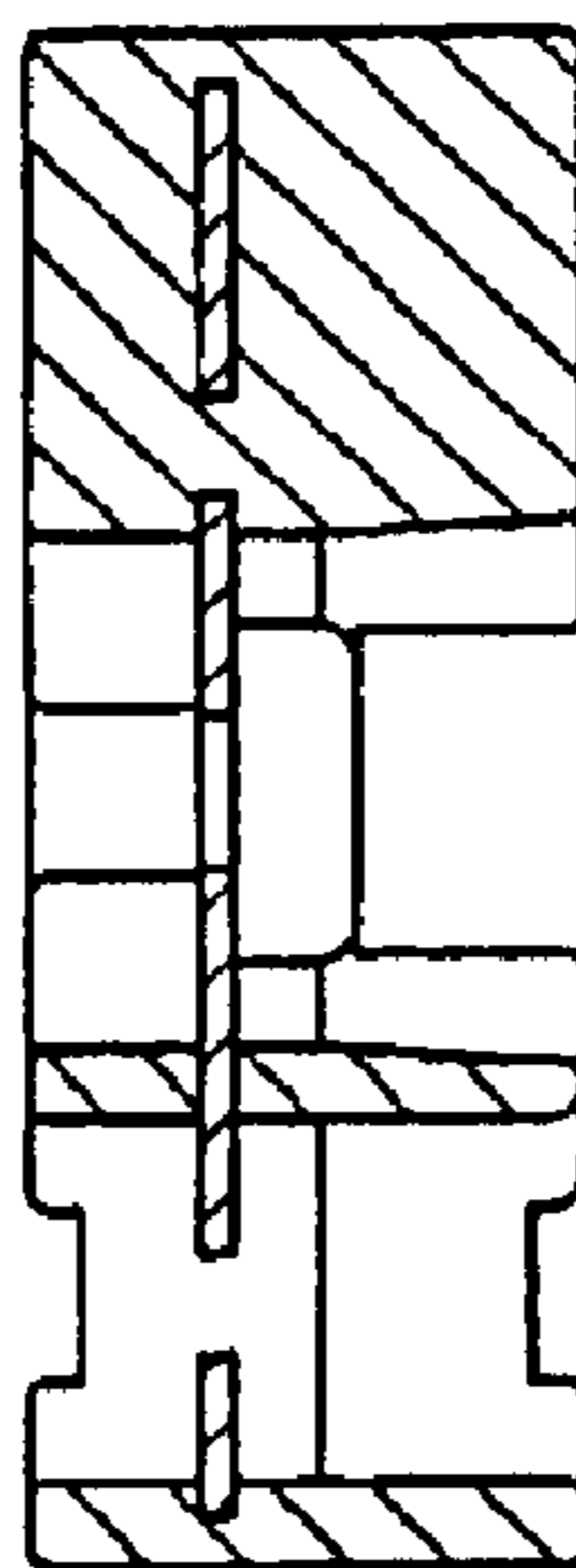


Fig. 7

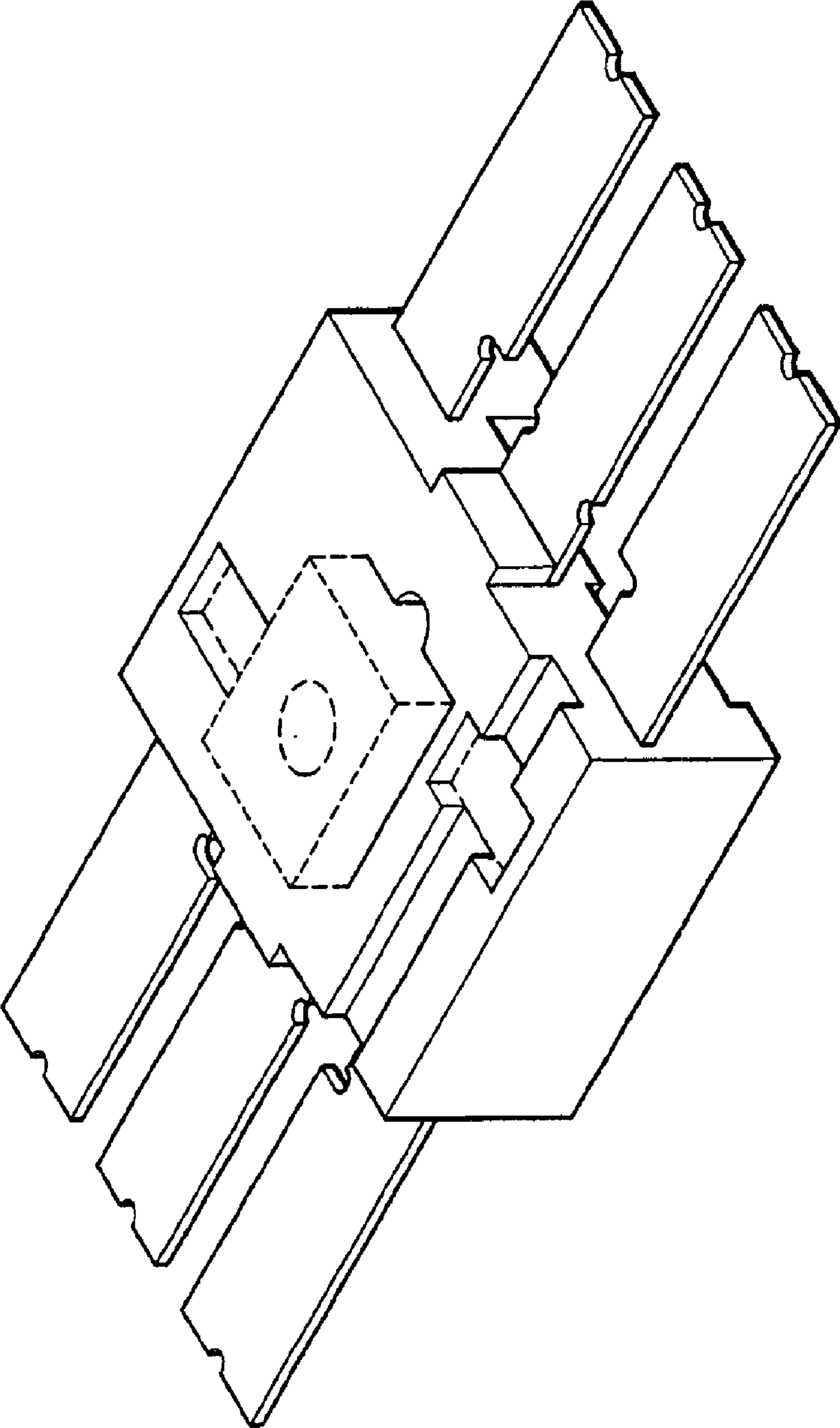


Fig. 8

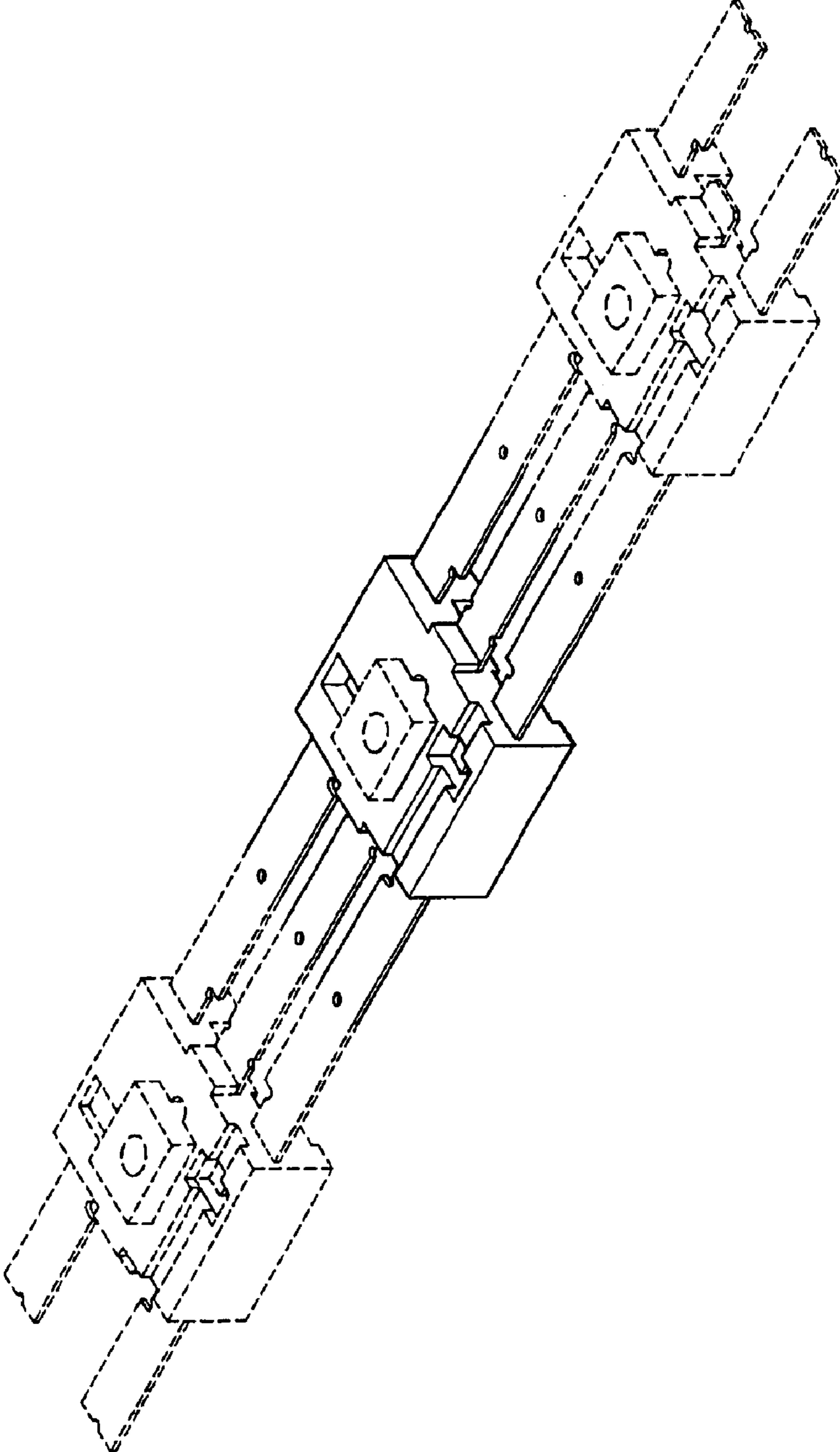


Fig. 9

