

US00D505661S

(12) **United States Design Patent** (10) **Patent No.:** **US D505,661 S**
Suenaga (45) **Date of Patent:** **** May 31, 2005**

(54) **LIGHT EMITTING DIODE**

(75) Inventor: **Ryoma Suenaga, Anan (JP)**

(73) Assignee: **Nichia Corporation (JP)**

(**) Term: **14 Years**

(21) Appl. No.: **29/193,793**

(22) Filed: **Nov. 14, 2003**

(30) **Foreign Application Priority Data**

Jul. 9, 2003	(JP)	2003-019861
Jul. 9, 2003	(JP)	2003-019862
Jul. 9, 2003	(JP)	2003-019863
Jul. 9, 2003	(JP)	2003-019865
Jul. 9, 2003	(JP)	2003-019866
Jul. 9, 2003	(JP)	2003-019867
Jul. 9, 2003	(JP)	2003-019868
Jul. 9, 2003	(JP)	2003-019869
Jul. 9, 2003	(JP)	2003-019870

(51) **LOC (7) Cl.** **13-03**

(52) **U.S. Cl.** **D13/180**

(58) **Field of Search** D13/180, 182;
257/76, 79, 88, 89, 93-99, 434, 676, 678,
687, 690, 698, 787; 313/498, 499, 500;
361/760, 820; 362/226, 241, 249, 250,
307, 555, 800

(56) **References Cited**

U.S. PATENT DOCUMENTS

4,214,251	A	*	7/1980	Schairer	257/99
4,791,648	A	*	12/1988	Vojak et al.	372/46
6,355,946	B1	*	3/2002	Ishinaga	257/98
6,393,698	B1	*	5/2002	Kuriyama et al.	29/883
6,483,623	B1	*	11/2002	Maruyama	398/182
6,495,861	B1	*	12/2002	Ishinaga	257/99

6,518,601	B2	*	2/2003	Wirth	257/98
D476,961	S	*	7/2003	Horiuchi et al.	D13/182
6,586,721	B2	*	7/2003	Estevez-Garcia	250/221
6,610,563	B1	*	8/2003	Waitl et al.	438/166
6,624,491	B2	*	9/2003	Waitl et al.	257/434
6,707,069	B2	*	3/2004	Song et al.	257/79
D491,899	S	*	6/2004	Yagi	D13/180

* cited by examiner

Primary Examiner—Stella Reid

Assistant Examiner—Selina Sikder

(74) *Attorney, Agent, or Firm*—Osha & May L.L.P.

(57) **CLAIM**

The ornamental design for a light emitting diode, as shown and described.

DESCRIPTION

FIG. 1 shows a front view of the design according to a first embodiment of the invention.

FIG. 2 shows a rear view of the design according to a first embodiment of the invention.

FIG. 3 shows a plan view of the design according to a first embodiment of the invention.

FIG. 4 shows a right side view of the design according to a first embodiment of the invention.

FIG. 5 shows a perspective view of the design according to a first embodiment of the invention; and,

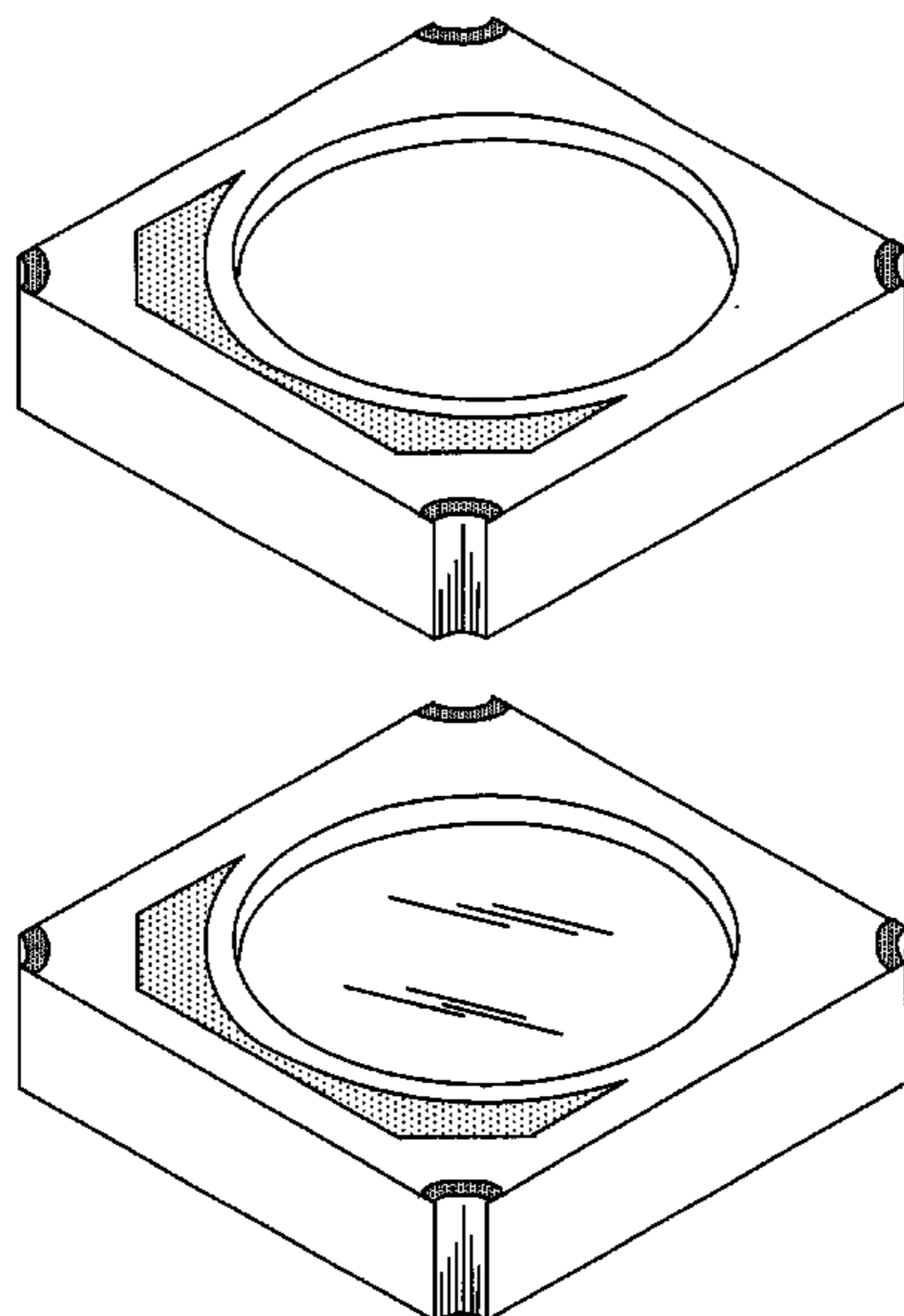
FIG. 6 shows a perspective view of the design according to the second embodiment of the invention.

Unless otherwise mentioned the left side view of each embodiment is a mirror image of its corresponding right side view.

The bottom view of each embodiment is a mirror image of its corresponding plan view.

The different types of stippling show a contrast in materials.

1 Claim, 3 Drawing Sheets



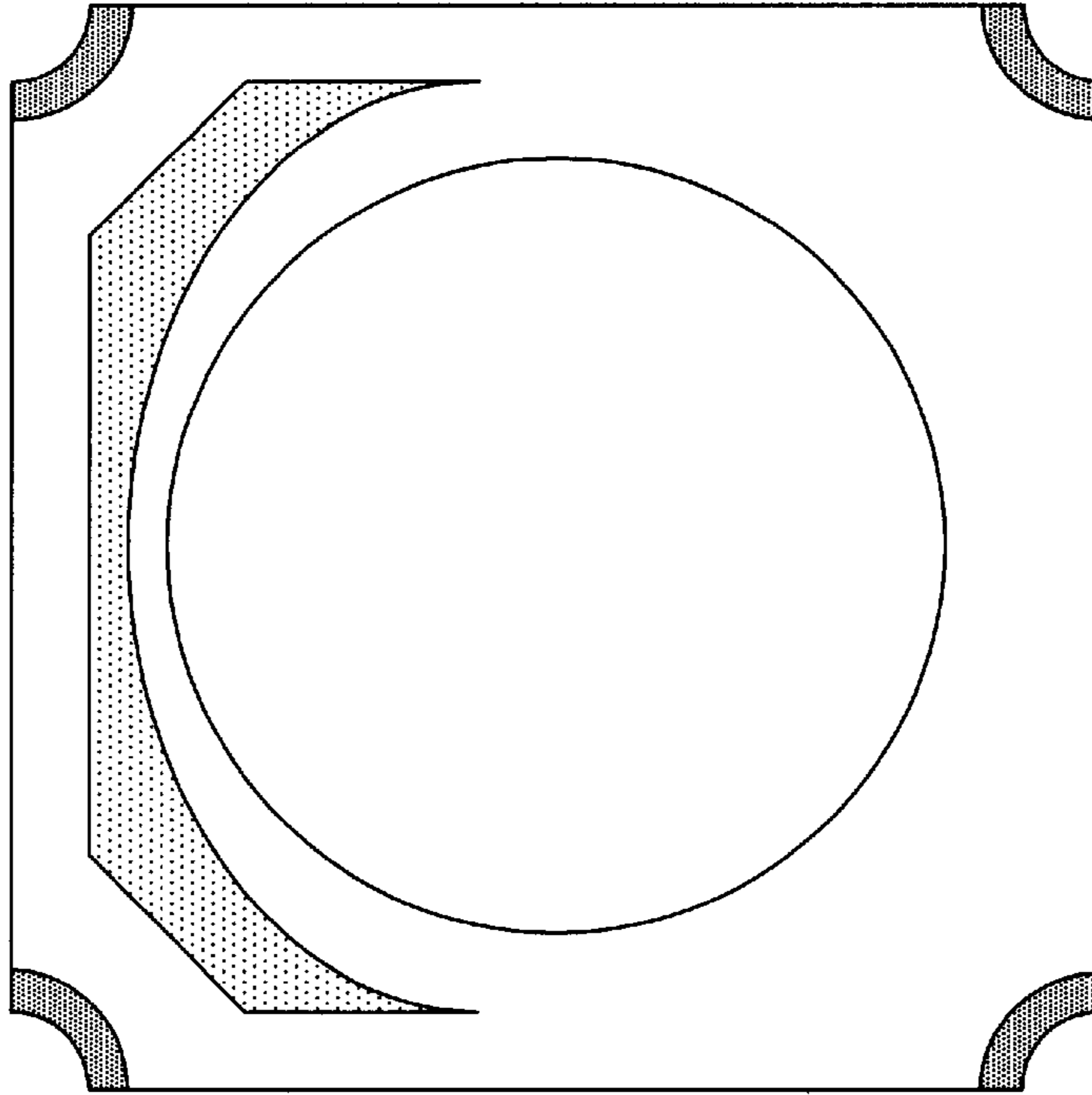


FIGURE 1

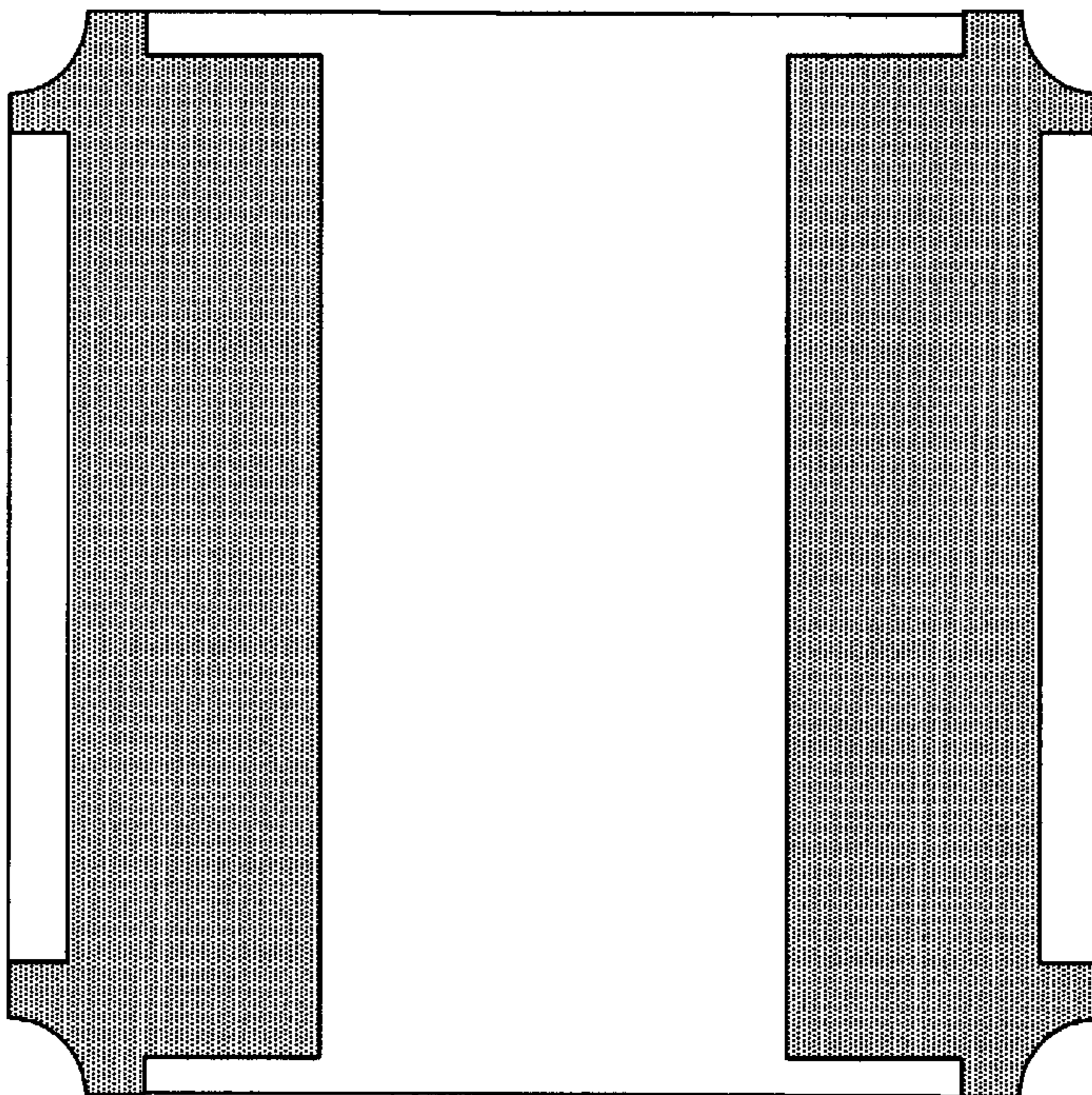


FIGURE 2

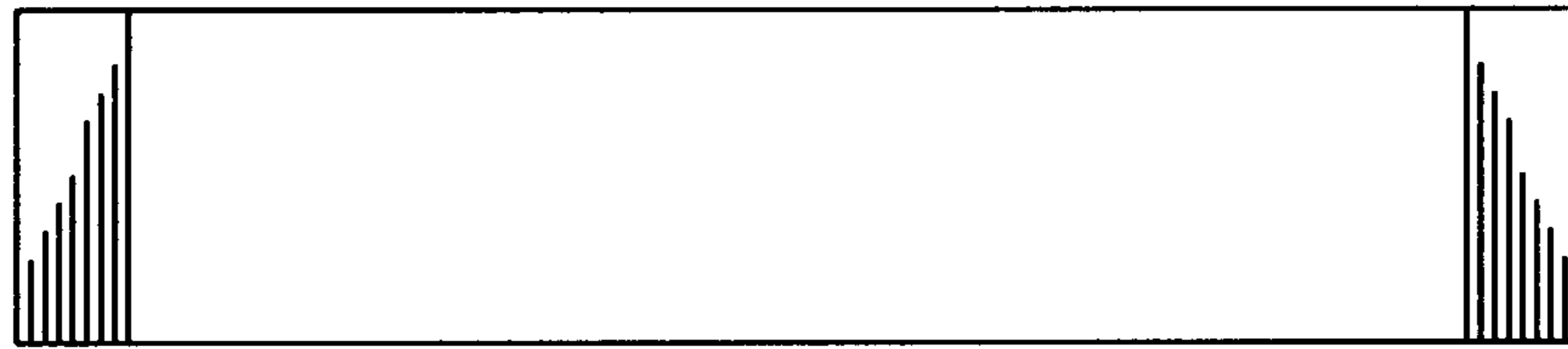


FIGURE 3

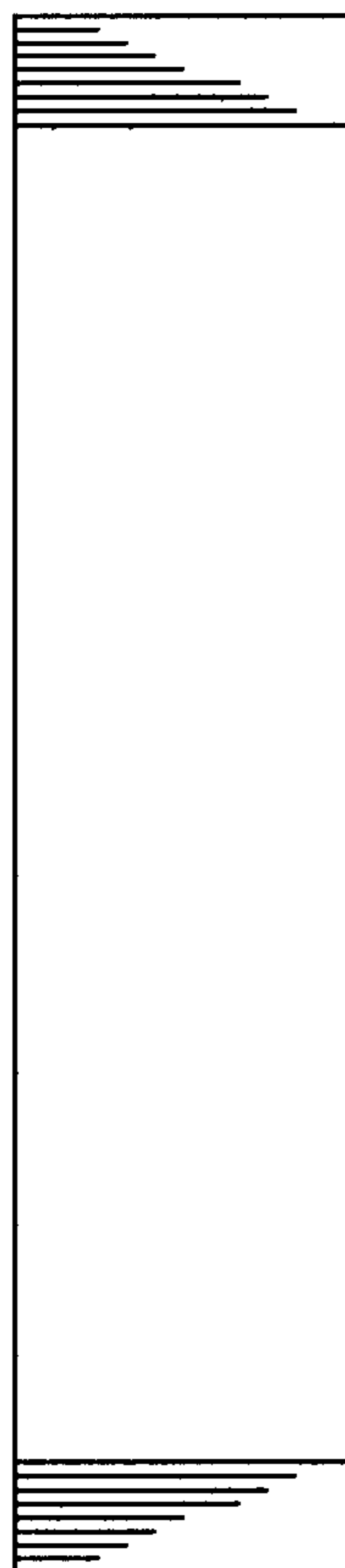


FIGURE 4

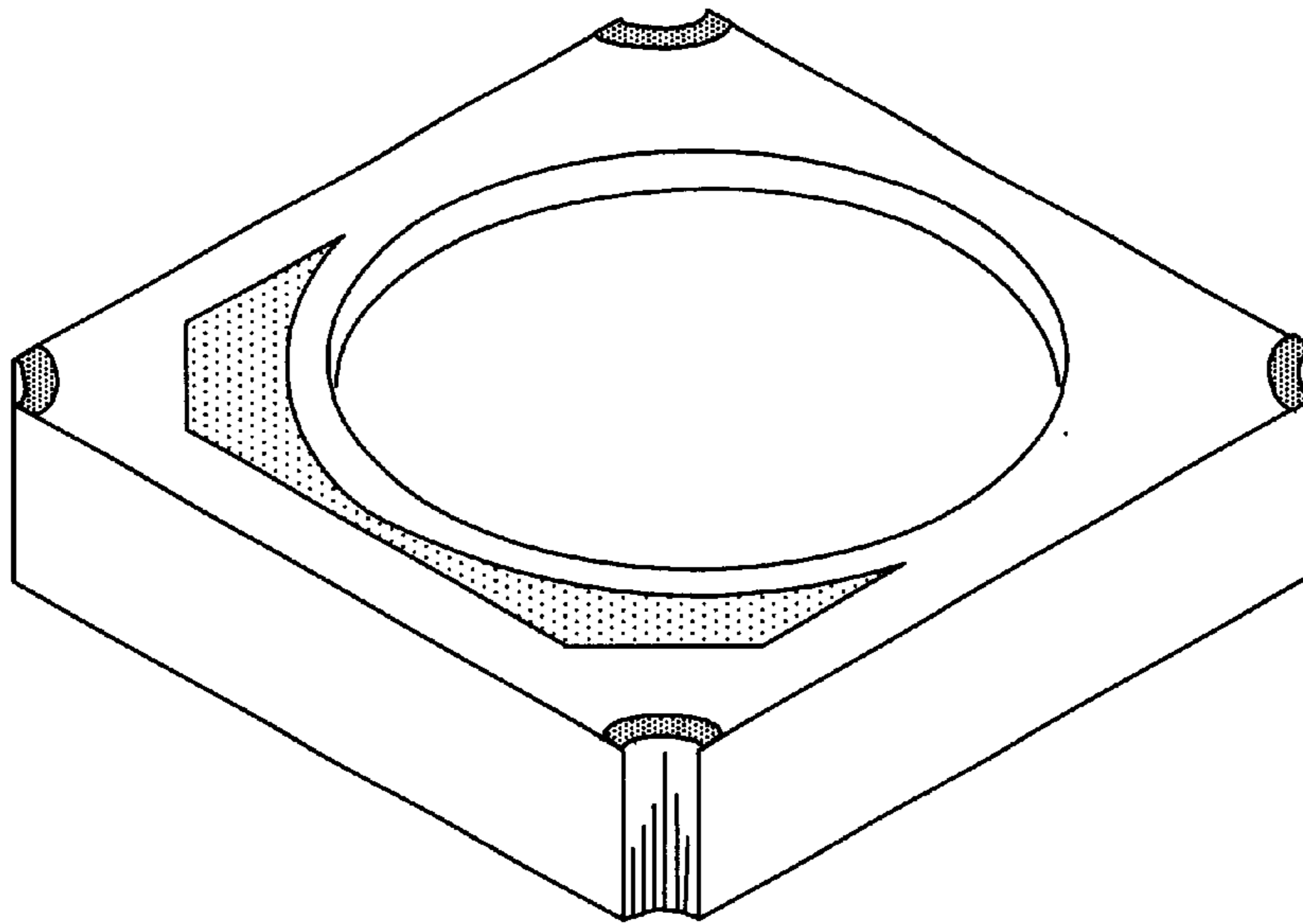


FIGURE 5

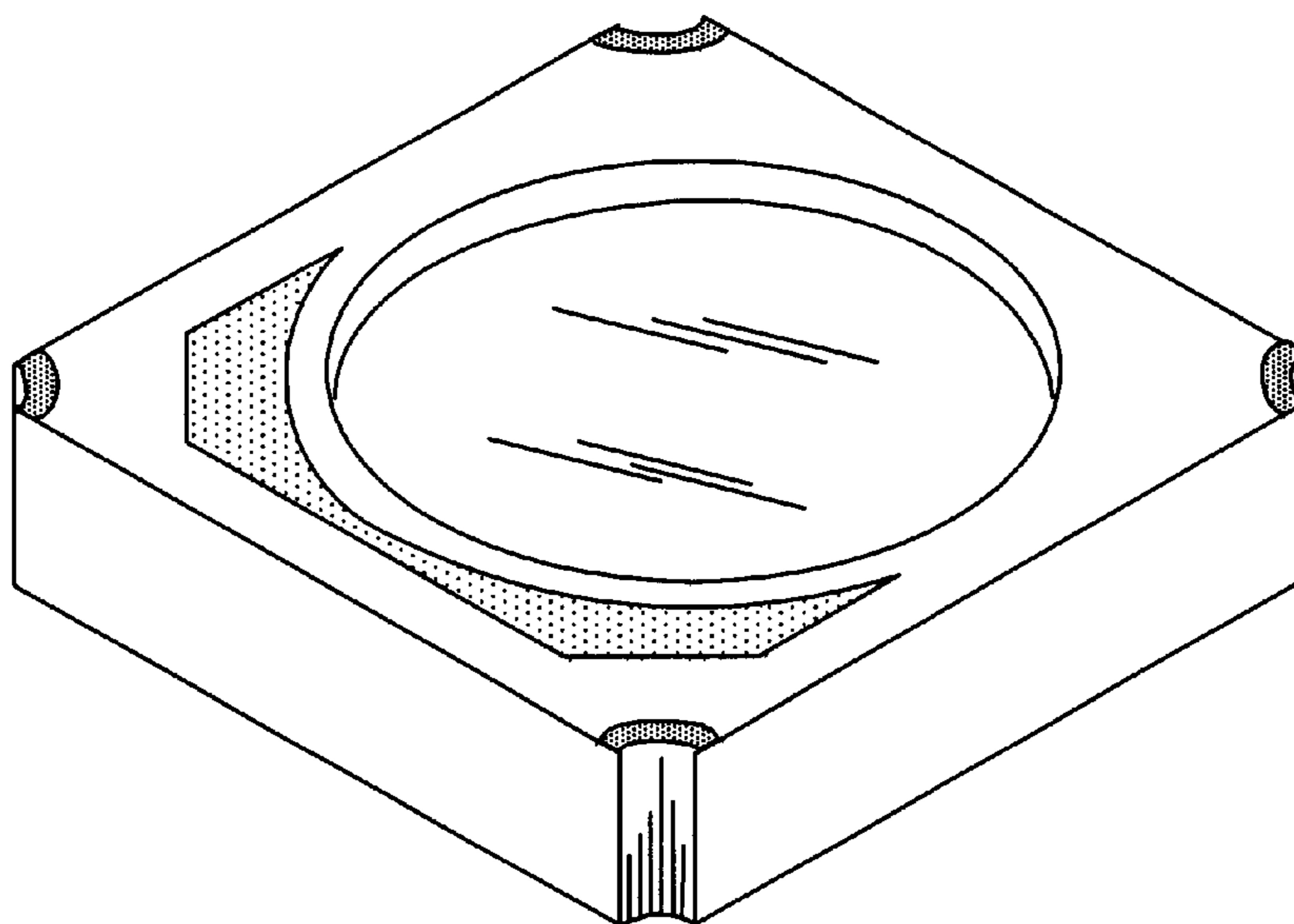


FIGURE 6