

US00D505649S

(12) **United States Design Patent**
Kenney

(10) **Patent No.: US D505,649 S**

(45) **Date of Patent: ** May 31, 2005**

(54) **TIRE CARRIER**

(75) Inventor: **Michael Kenney**, Maricopa, AZ (US)

(73) Assignee: **SMA-Patents, LLC**, Scottsdale, AZ (US)

(**) Term: **14 Years**

(21) Appl. No.: **29/214,596**

(22) Filed: **Oct. 5, 2004**

(51) **LOC (7) Cl. 12-16**

(52) **U.S. Cl. D12/202**

(58) **Field of Search** D12/202; 414/462-466, 414/400; 296/146.11; 362/496, 500, 505, 320, 42, 540-541; 224/518, 520, 509, 400, 488-489, 42.28, 42.21-42.25

(56) **References Cited**

U.S. PATENT DOCUMENTS

4,679,717 A	7/1987	Hansen	224/509
4,817,834 A	4/1989	Weiler	224/509
4,869,409 A	* 9/1989	Wright	224/42.21
D308,959 S	* 7/1990	Ware	D12/202
D310,507 S	* 9/1990	Ware	D12/202
D345,337 S	* 3/1994	Feller	D12/202
D355,632 S	* 2/1995	Padgett	D12/202
5,538,168 A	7/1996	Burger et al.	224/42.21
D377,470 S	* 1/1997	Santangelo	D12/202

5,806,736 A	9/1998	Kincart	224/509
D424,005 S	* 5/2000	Henry	D12/202
6,076,949 A	* 6/2000	Holdsworth et al.	362/500
D469,725 S	* 2/2003	Murkett	D12/202
D473,835 S	4/2003	Roehmer et al.	D12/202
6,659,318 B2	* 12/2003	Newbill	224/42.24
6,796,466 B2	* 9/2004	Essig	224/42.21

* cited by examiner

Primary Examiner—Stacia Cadmus

(74) *Attorney, Agent, or Firm*—Wright Law Group, PLLC; Mark F. Wright

(57) **CLAIM**

The ornamental design for a tire carrier, as shown and described.

DESCRIPTION

FIG. 1 is a perspective view of a tire carrier showing my new design;

FIG. 2 is a top view thereof;

FIG. 3 is a front view thereof;

FIG. 4 is a right side view thereof;

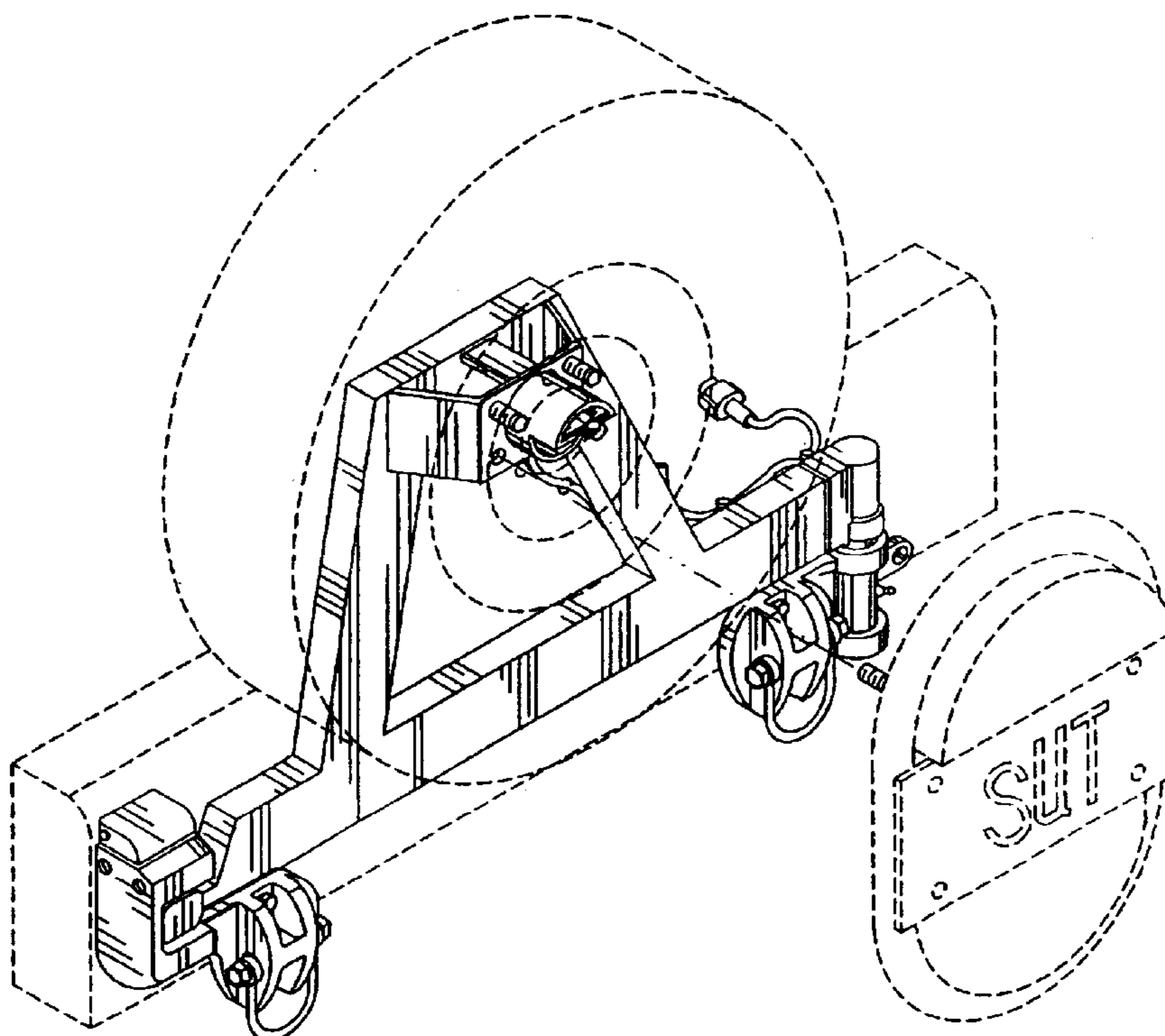
FIG. 5 is a left side view thereof;

FIG. 6 is a rear view thereof; and,

FIG. 7 is a bottom view thereof.

The broken line showing of environment is for illustrative purposes only and forms no part of the claimed design.

1 Claim, 3 Drawing Sheets



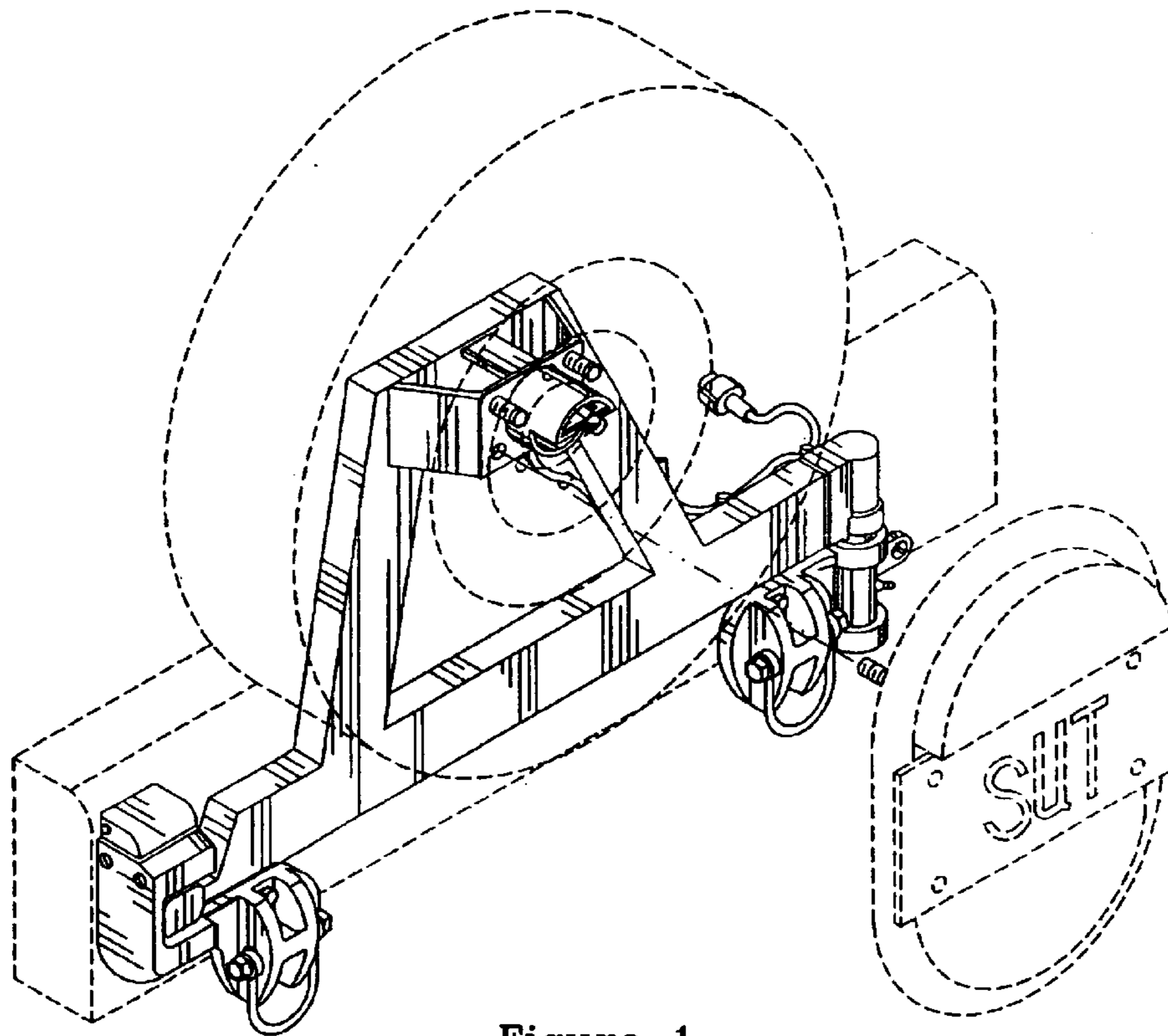


Figure 1

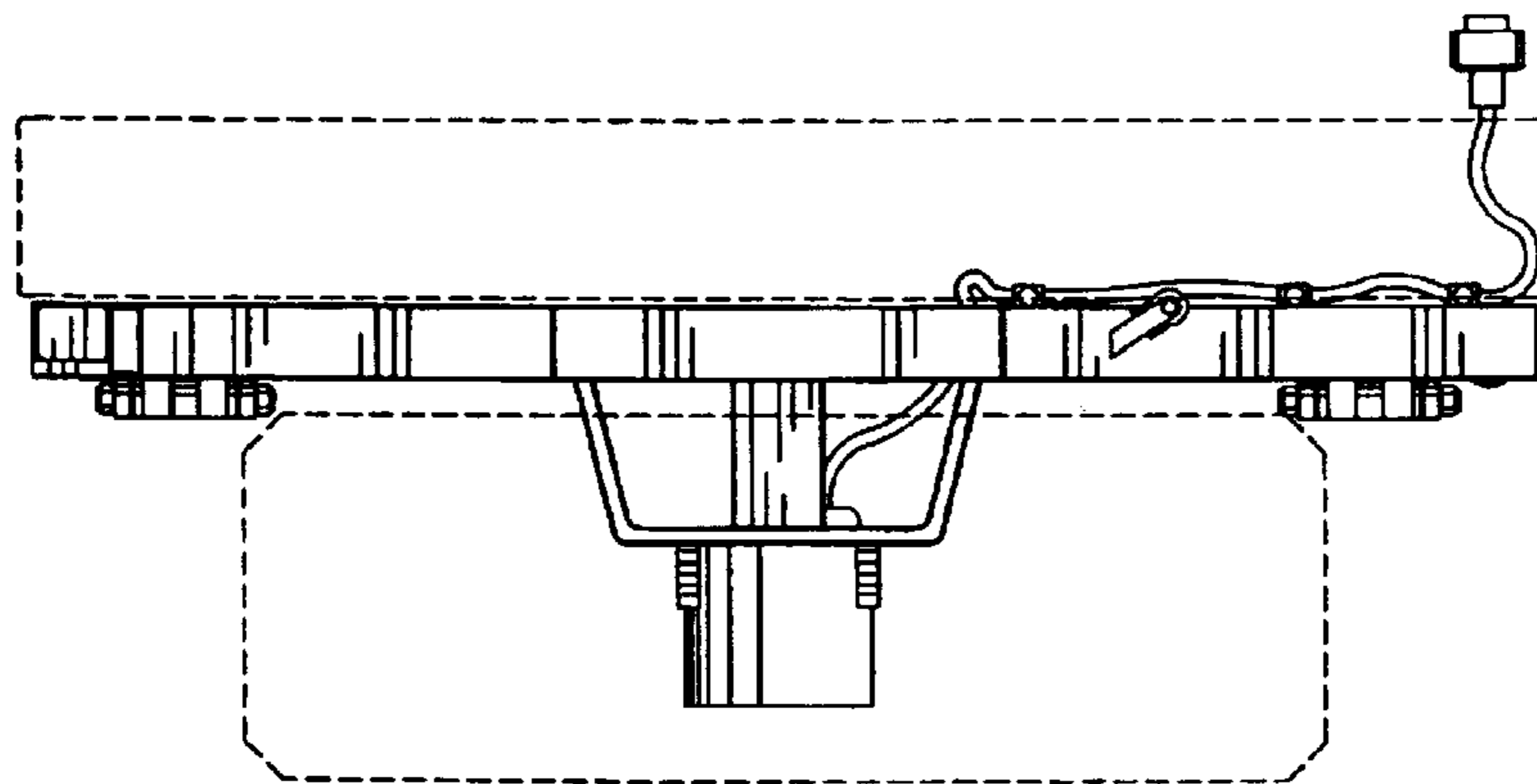


Figure 2

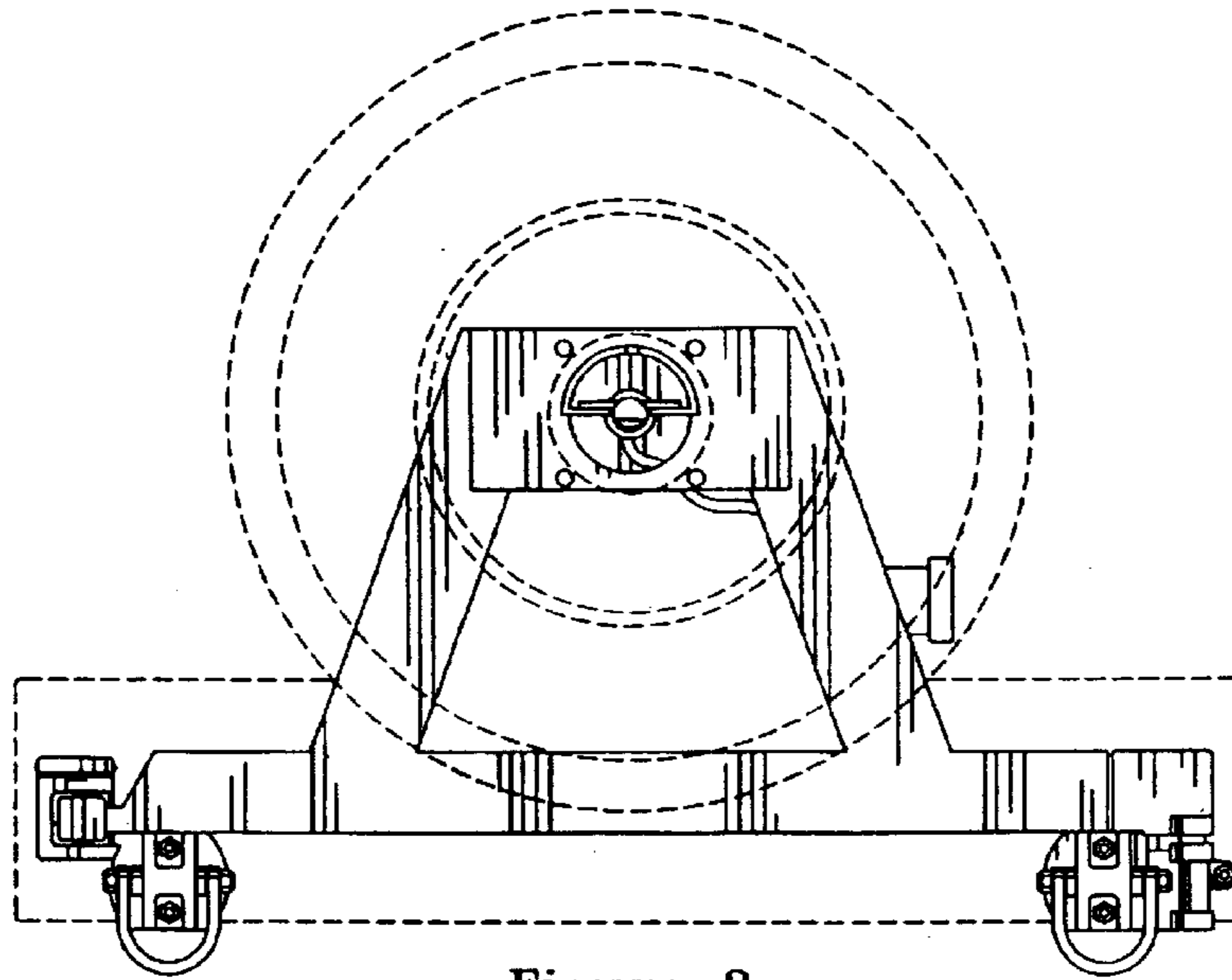


Figure 3

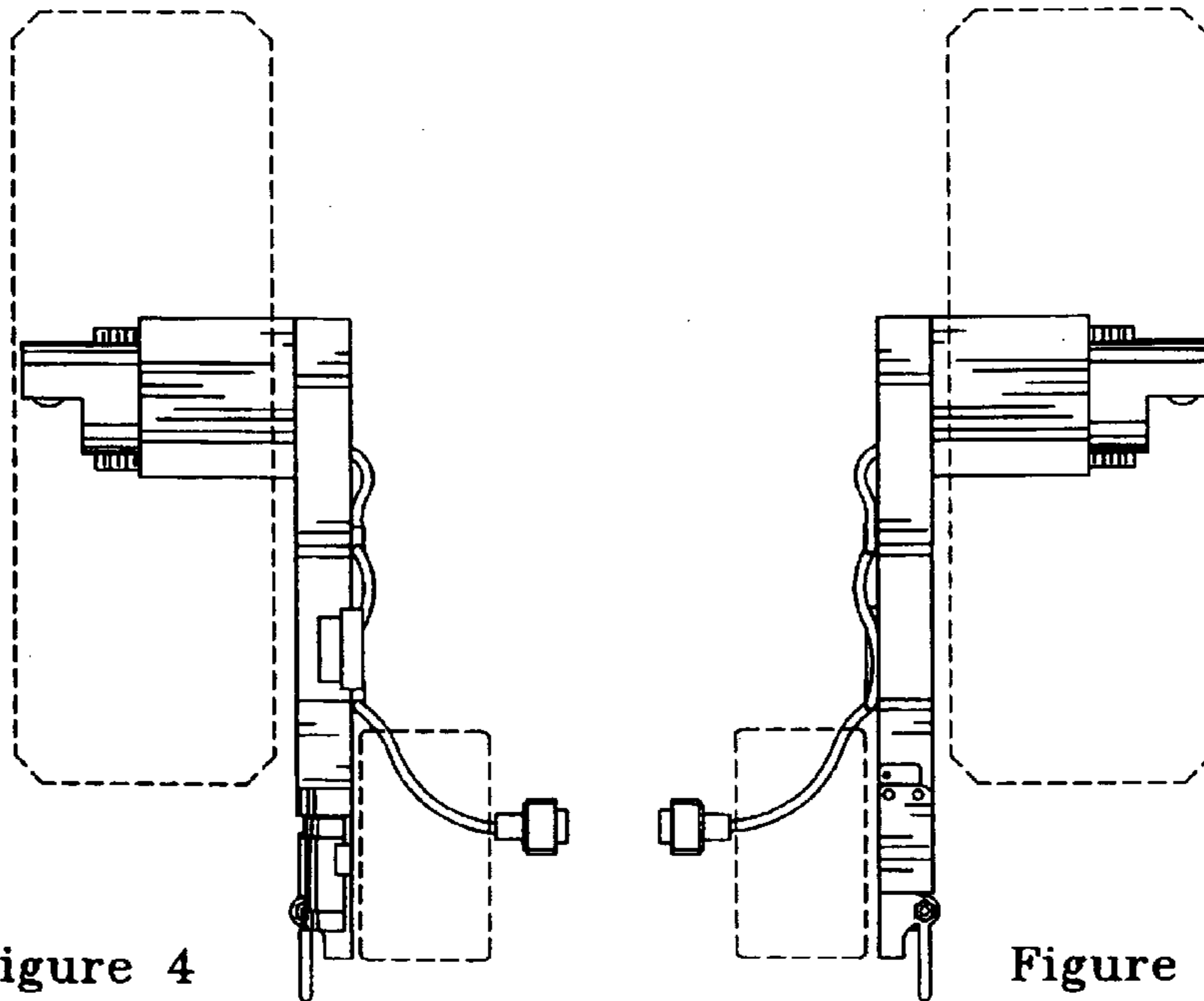


Figure 4

Figure 5

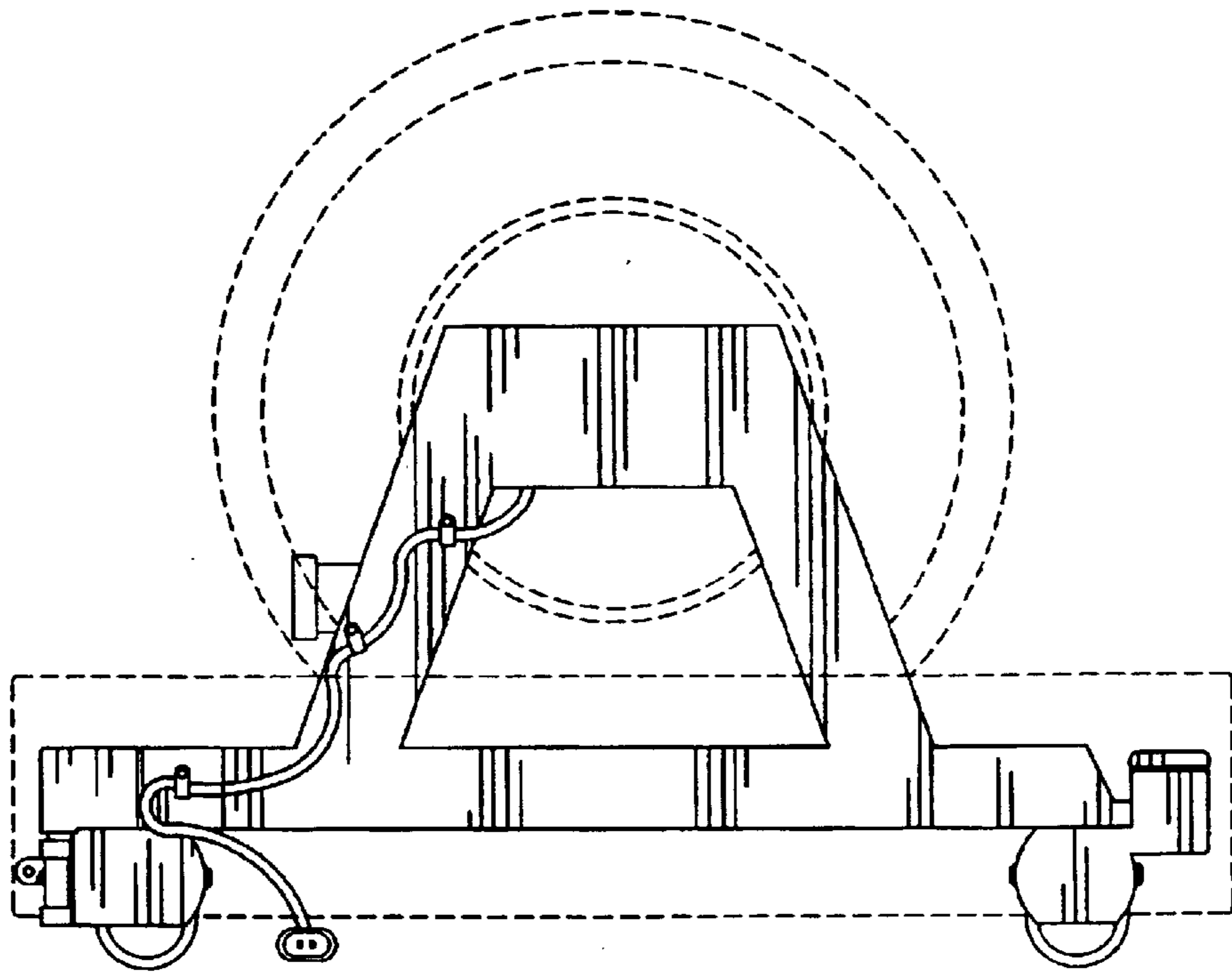


Figure 6

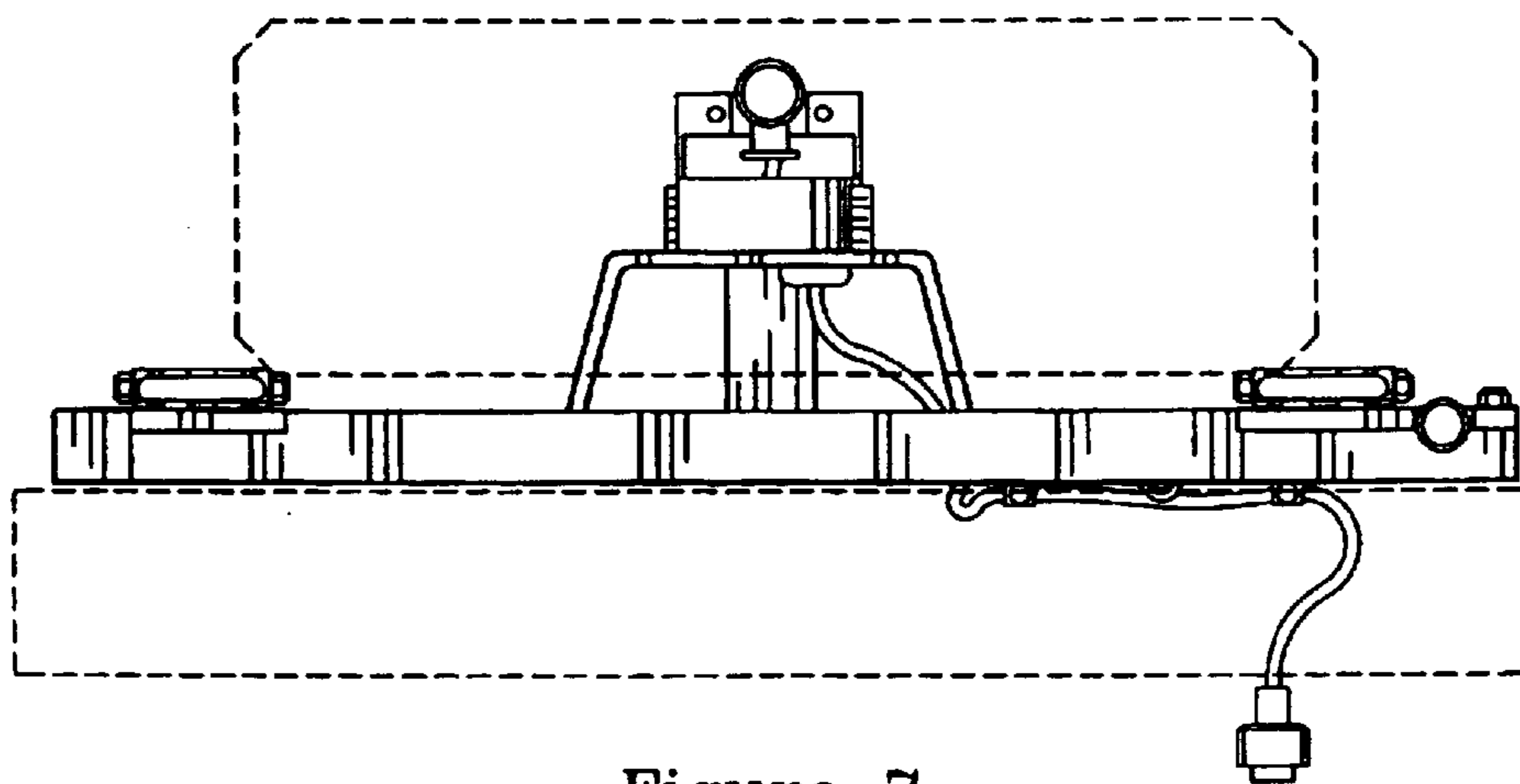


Figure 7