

US00D505648S

(12) **United States Design Patent**
Fabian

(10) **Patent No.:** **US D505,648 S**
(45) **Date of Patent:** **** May 31, 2005**

(54) **U-SHAPED CHAIN LINK CYCLE HANDLEBARS**
(76) **Inventor:** **Harry Gordon Fabian**, 657 Spruce Hollow Rd., White, PA (US) 15490
(**) **Term:** **14 Years**

5,950,497 A 9/1999 Weiher
D429,198 S 8/2000 Sueiro
6,122,991 A 9/2000 Clarkson
6,325,402 B1 12/2001 Gogo et al.
D456,325 S 4/2002 Sargentelli
D458,566 S 6/2002 Carlini

* cited by examiner

(21) **Appl. No.:** **29/177,509**
(22) **Filed:** **Mar. 11, 2003**

Primary Examiner—Alan P. Douglas
Assistant Examiner—Linda Brooks
(74) *Attorney, Agent, or Firm*—Lawrence R. Burns

(51) **LOC (7) Cl.** **12-16**
(52) **U.S. Cl.** **D12/178**
(58) **Field of Search** D12/110, 111,
D12/178; 74/551.1–551.9; 280/263, 279,
280, 288.4

(57) **CLAIM**

I claim the ornamental design for U-shaped chain link cycle handlebars, as shown.

DESCRIPTION

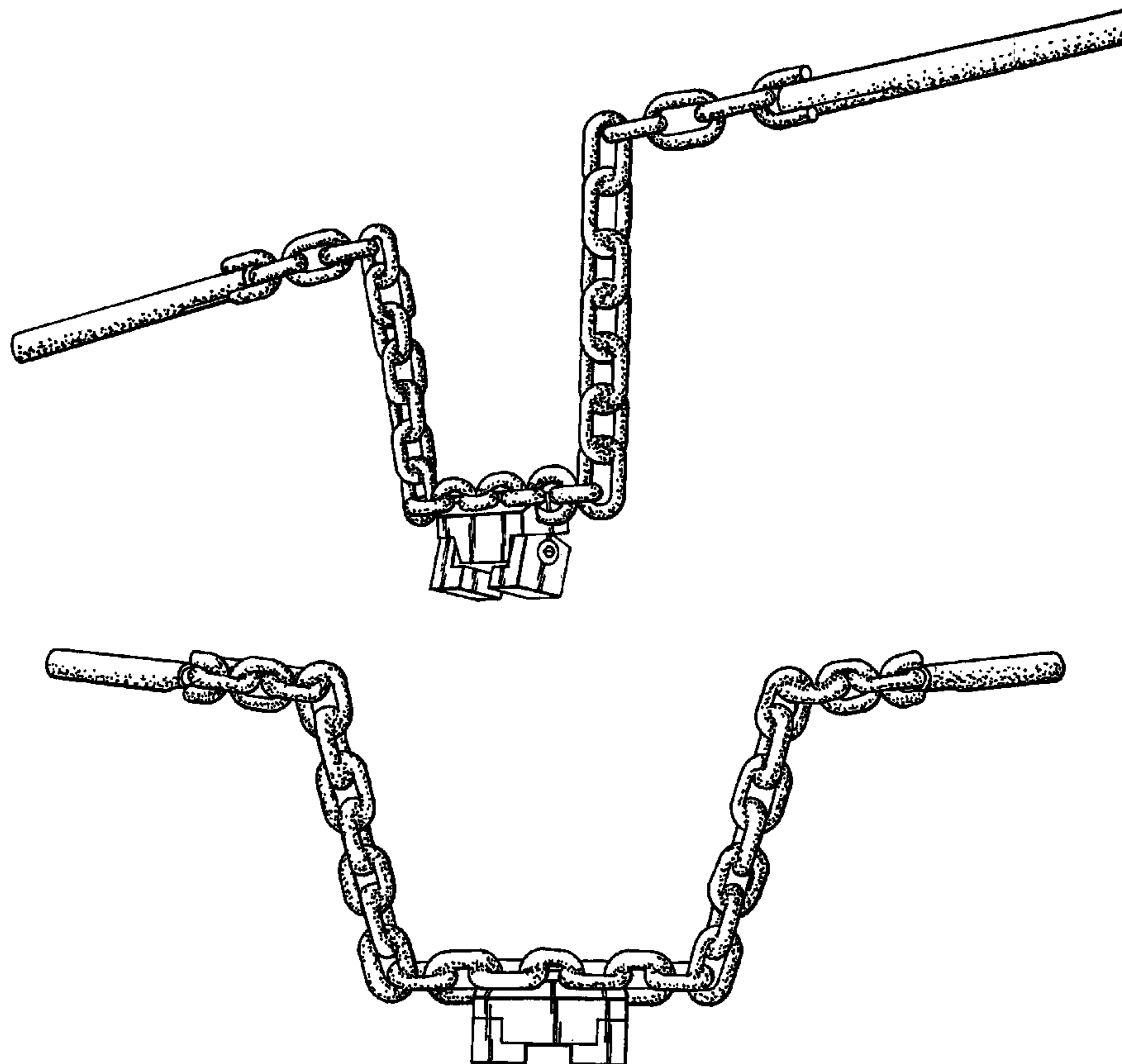
FIG. 1 is a perspective view of the U-shaped chain link cycle handlebars according to the present invention. FIG. 2 is a front view of the U-shaped chain link cycle handlebars according to the present invention. FIG. 3 is a top view of the U-shaped chain link cycle handlebars according to the present invention. FIG. 4 is a bottom view of the U-shaped chain link cycle handlebars according to the present invention; and, FIG. 5 is a side view of the U-shaped chain link cycle handlebars according to the present invention.

(56) **References Cited**

U.S. PATENT DOCUMENTS

D209,262 S	*	11/1967	Weaver	D12/178
4,503,729 A		3/1985	Shimano		
4,635,499 A		1/1987	McMurtrey		
4,807,898 A		2/1989	Huntly		
D301,027 S		5/1989	Borromeo		
5,117,708 A		6/1992	Boyer et al.		
5,205,185 A		4/1993	Herman		
5,257,552 A		11/1993	Boyer et al.		
D351,577 S		10/1994	Dietz		
D372,893 S		8/1996	Harris		

1 Claim, 3 Drawing Sheets



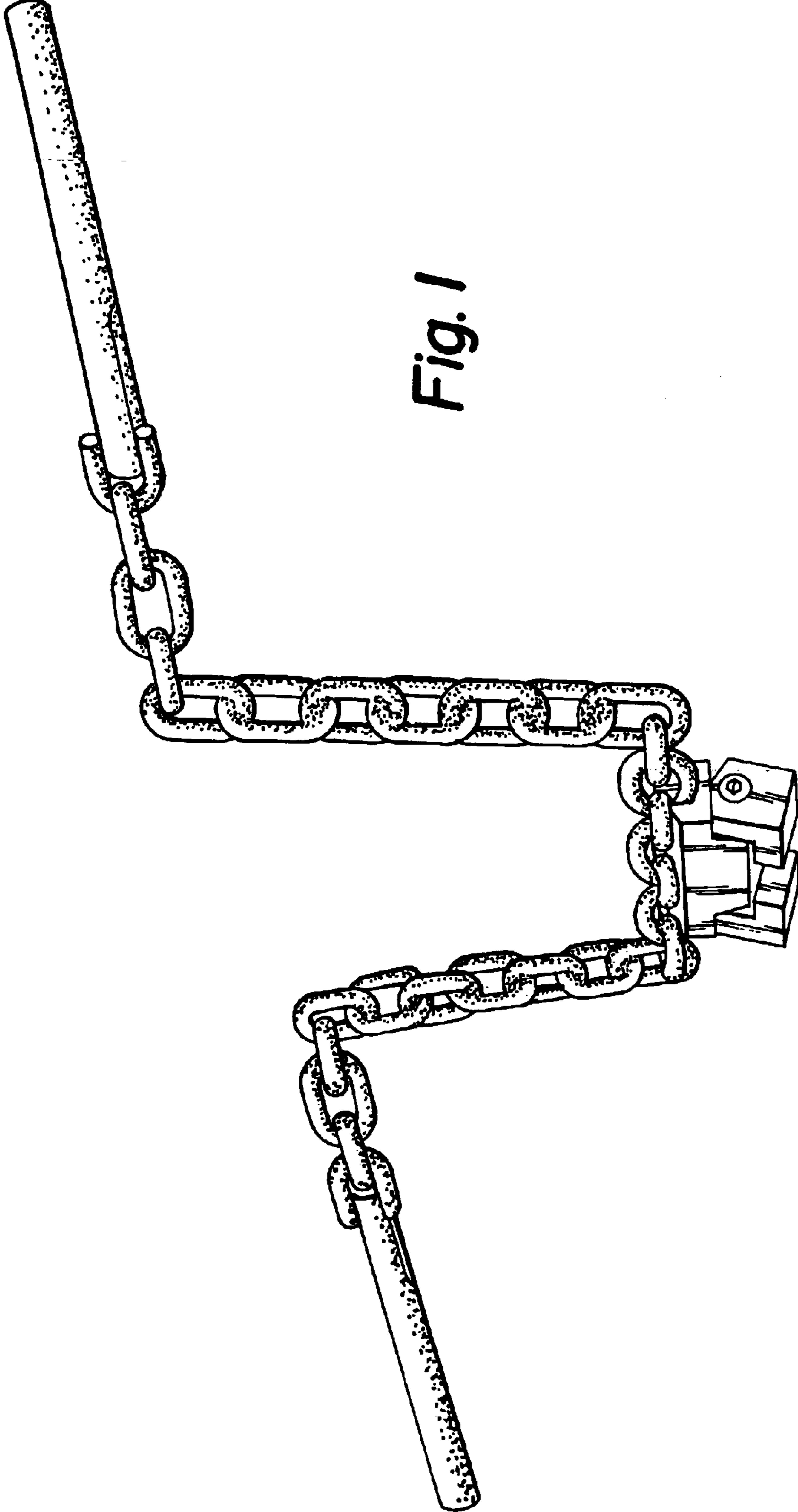


Fig. 1

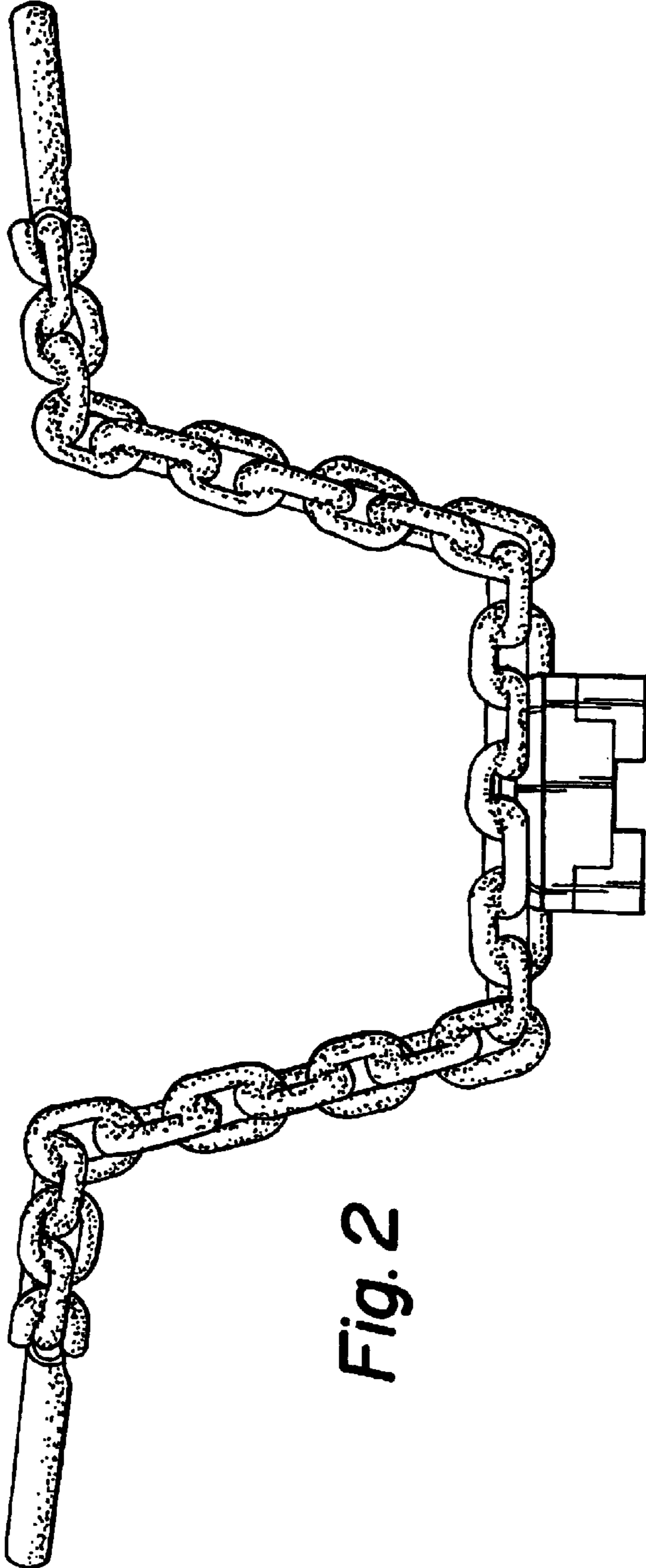


Fig. 2

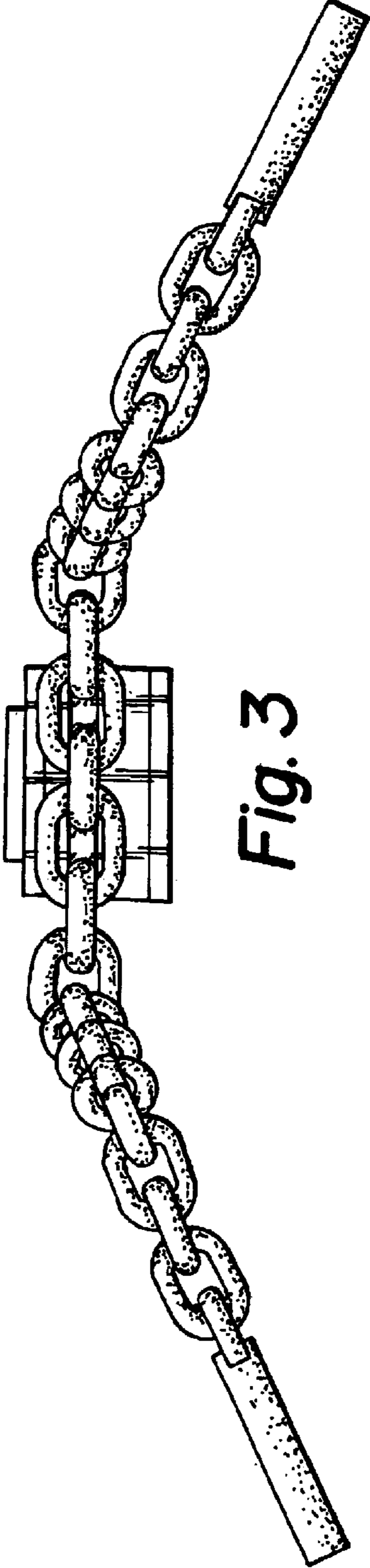


Fig. 3

