

US00D505637S

(12) **United States Design Patent**
Lev Sercarz

(10) **Patent No.:** **US D505,637 S**
(45) **Date of Patent:** **** May 31, 2005**

(54) **RING SETTING**

D440,178 S * 4/2001 Lavayssiere D11/26

(75) Inventor: **Moshe Lev Sercarz**, Ramat Gan (IL)

* cited by examiner

(73) Assignees: **Shraga Peled**, Netanya (IL); **Espeka (Israel) 1982 Ltd.**, Ramat Gan (IL)

Primary Examiner—Stella Reid
Assistant Examiner—Deanne Levy

(**) Term: **14 Years**

(74) *Attorney, Agent, or Firm*—Eitan, Pearl, Latzer & Cohen Zedek LLP

(21) Appl. No.: **29/189,767**

(57) **CLAIM**

(22) Filed: **Sep. 11, 2003**

The ornamental design for a ring setting, as shown and described.

Related U.S. Application Data

DESCRIPTION

(63) Continuation-in-part of application No. 29/173,138, filed on Dec. 24, 2002, now abandoned.

(51) **LOC (7) Cl.** **11-01**

(52) **U.S. Cl.** **D11/91; D11/34**

(58) **Field of Search** D11/16, 26, 34, D11/79–81, 85, 86, 89–94; 63/15, 26

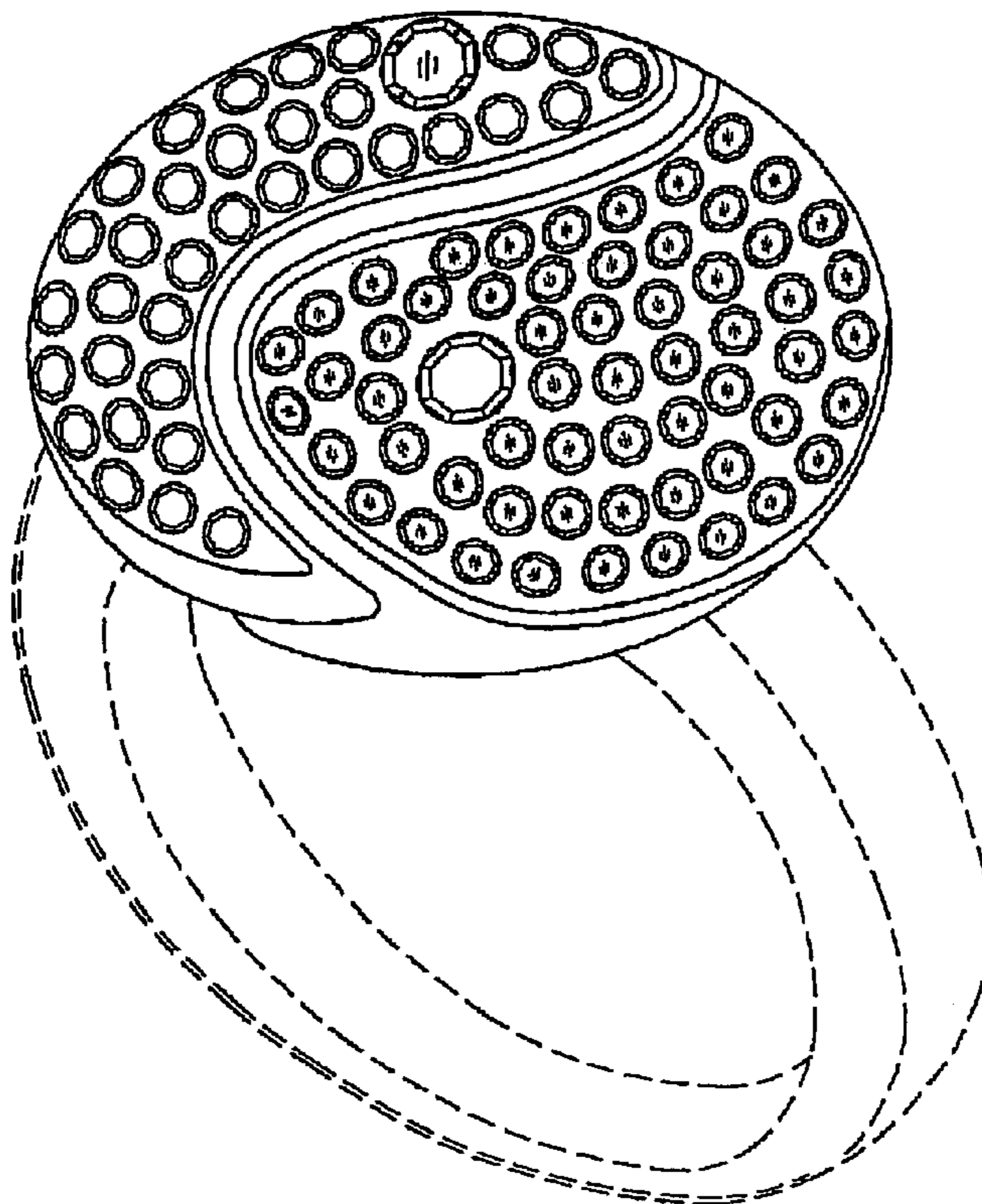
FIG. 1 is a perspective view of the ring setting; FIG. 2 is a bottom view of the ring setting shown in FIG. 1; FIG. 3 is a top view of the ring setting shown in FIG. 1; FIG. 4 is a front view of the ring setting shown in FIG. 1; FIG. 5 is a rear view of the ring setting shown in FIG. 1; FIG. 6 is a left view of the ring setting shown in FIG. 1; and, FIG. 7 is a right view of the ring setting shown in FIG. 1. The gems having hatch marks are black; the gems with no hatch marks are white. The broken line showing of the ring-portion is for illustrative purposes only, and forms no part of the claimed design.

(56) **References Cited**

U.S. PATENT DOCUMENTS

D305,512 S * 1/1990 Bulgari D11/86
D437,249 S * 2/2001 Cabarbaye D11/26
D439,541 S * 3/2001 Jang D11/90

1 Claim, 4 Drawing Sheets



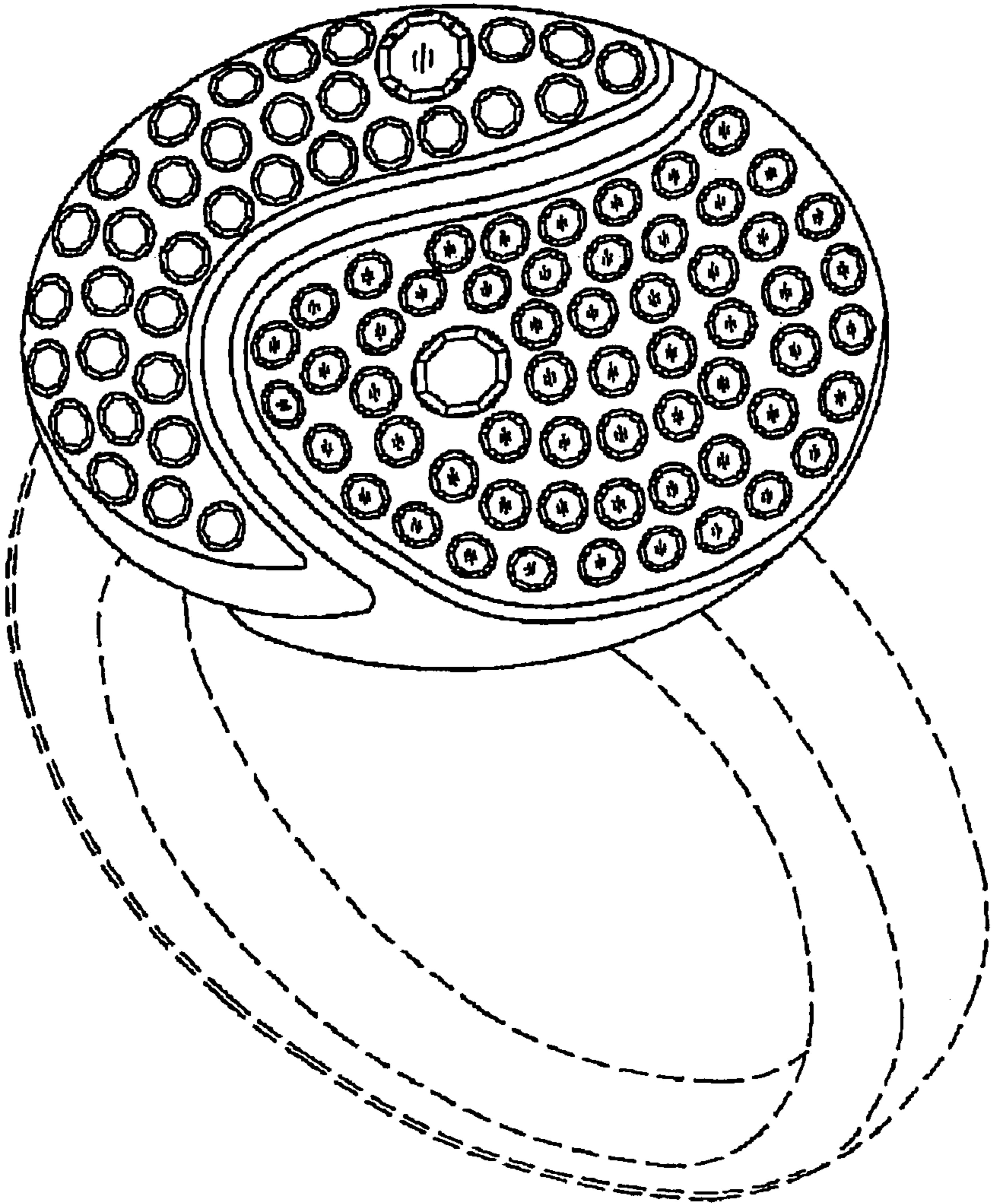


FIG.1

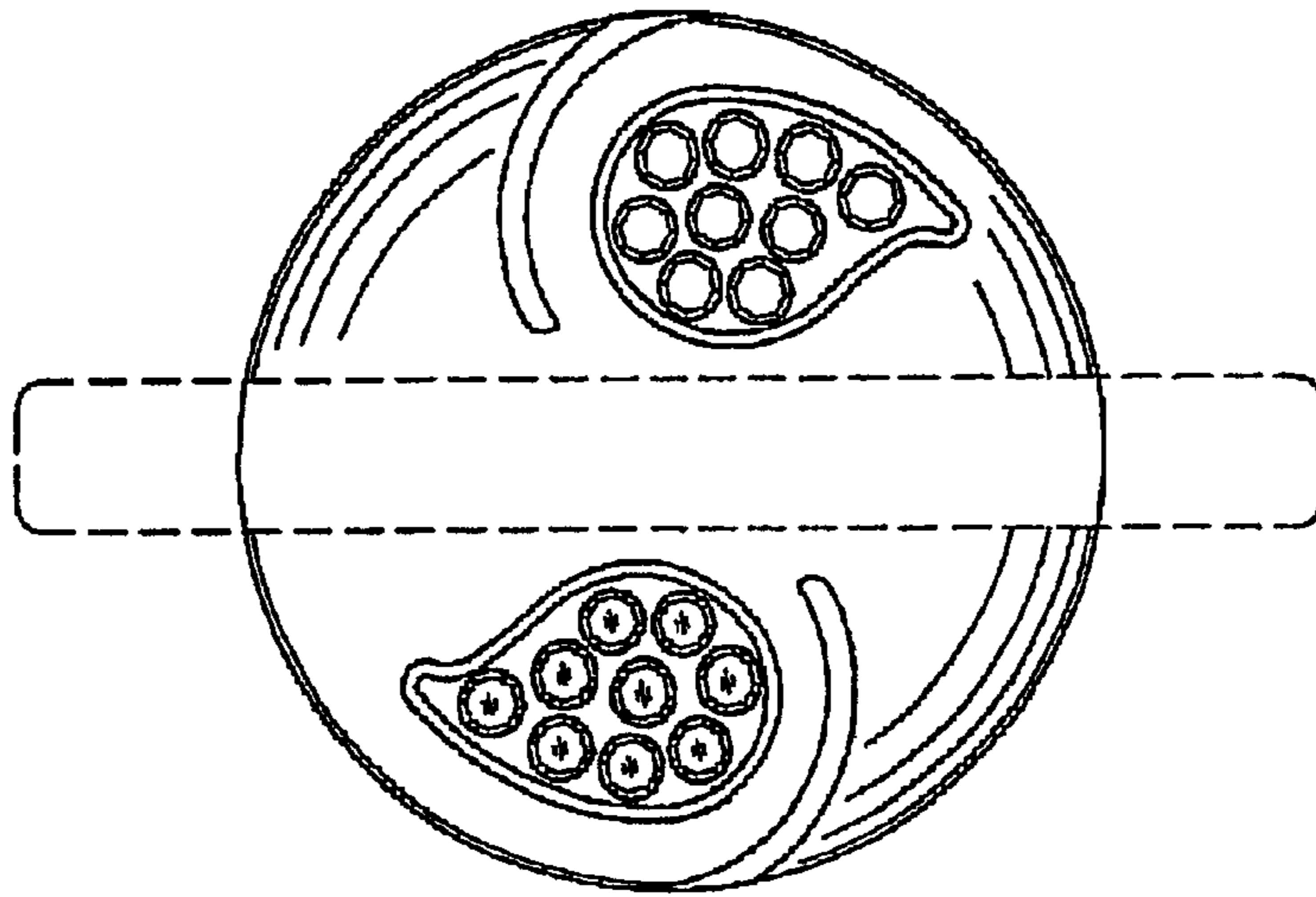


FIG. 2

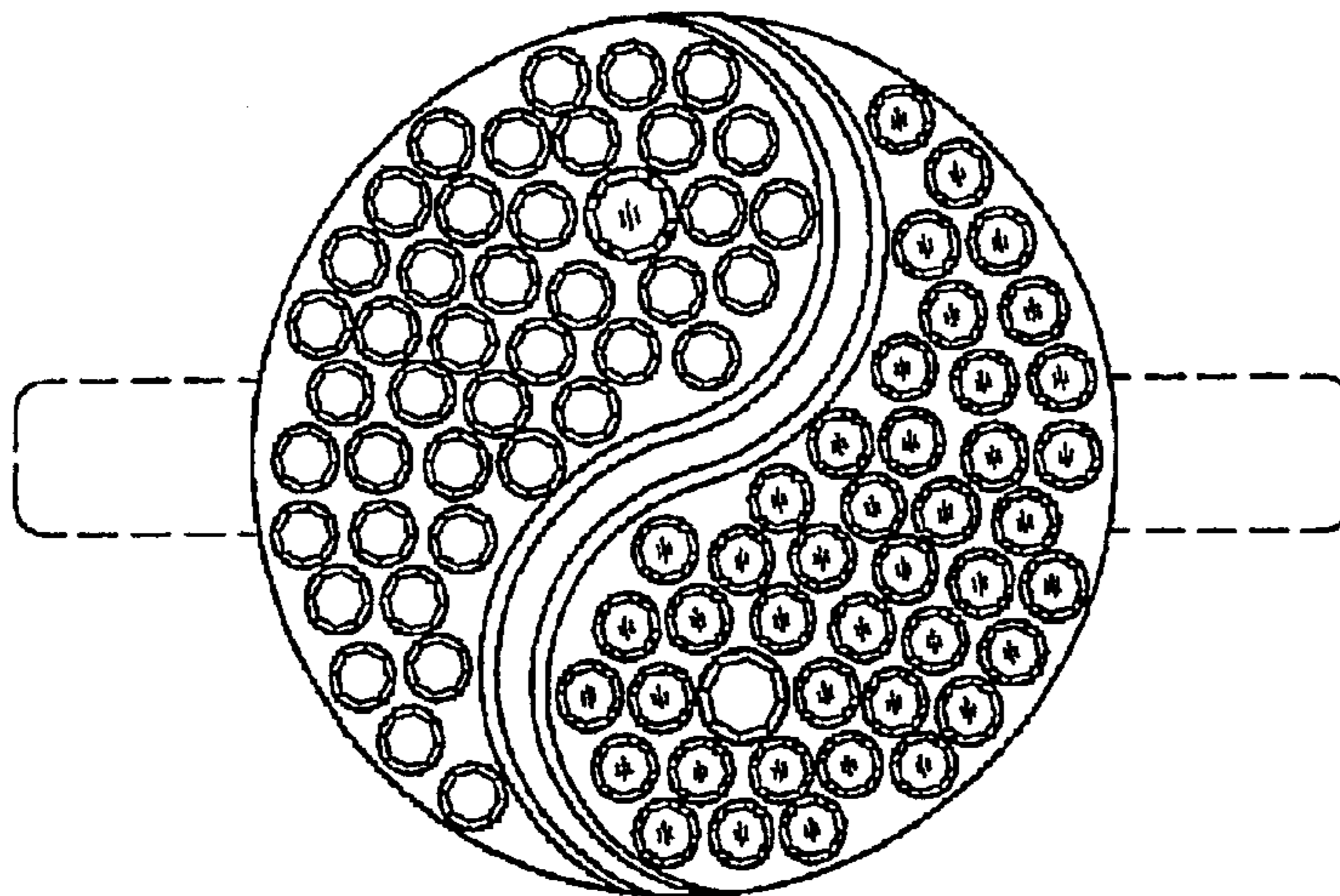


FIG. 3

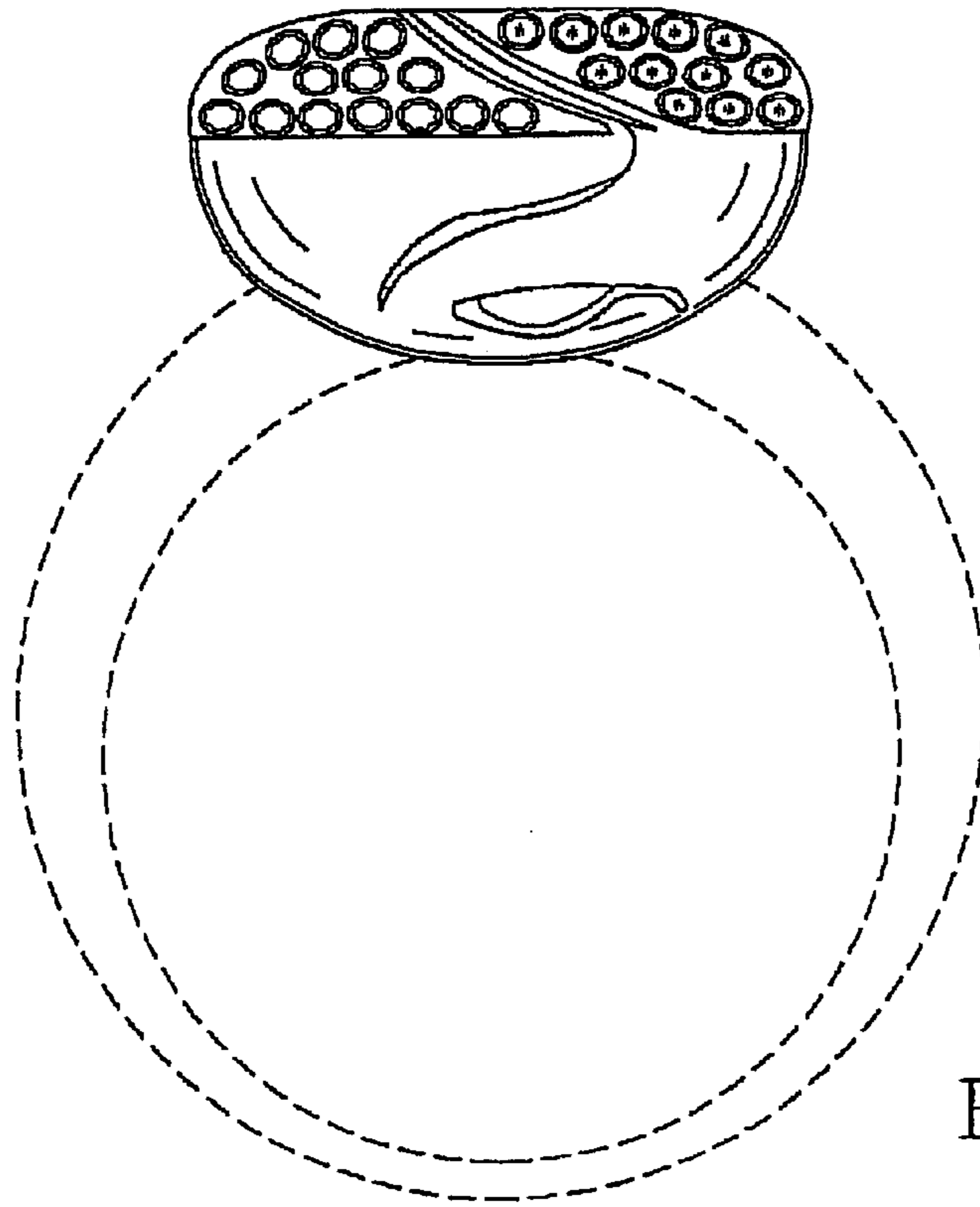


FIG. 4

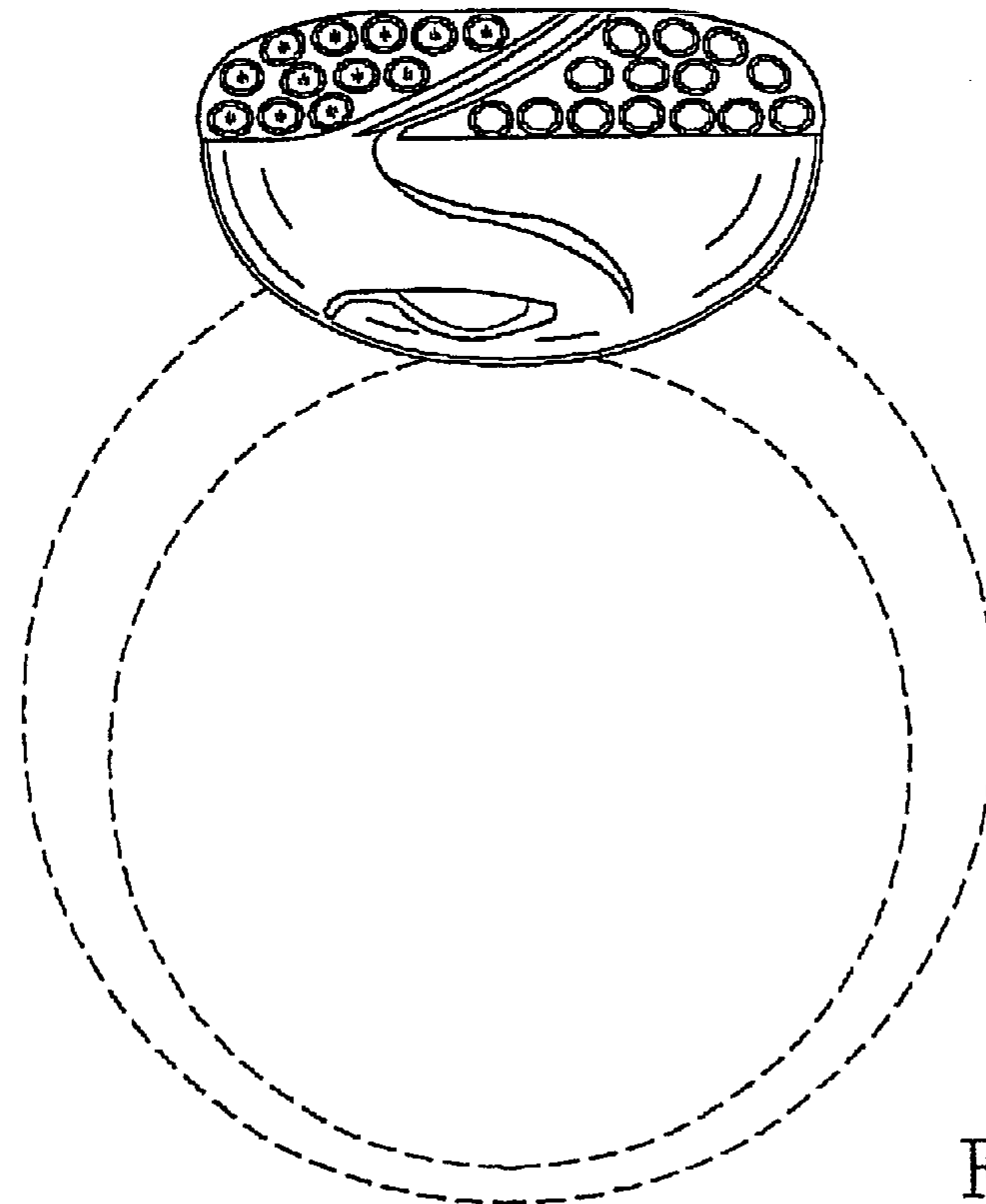


FIG. 5

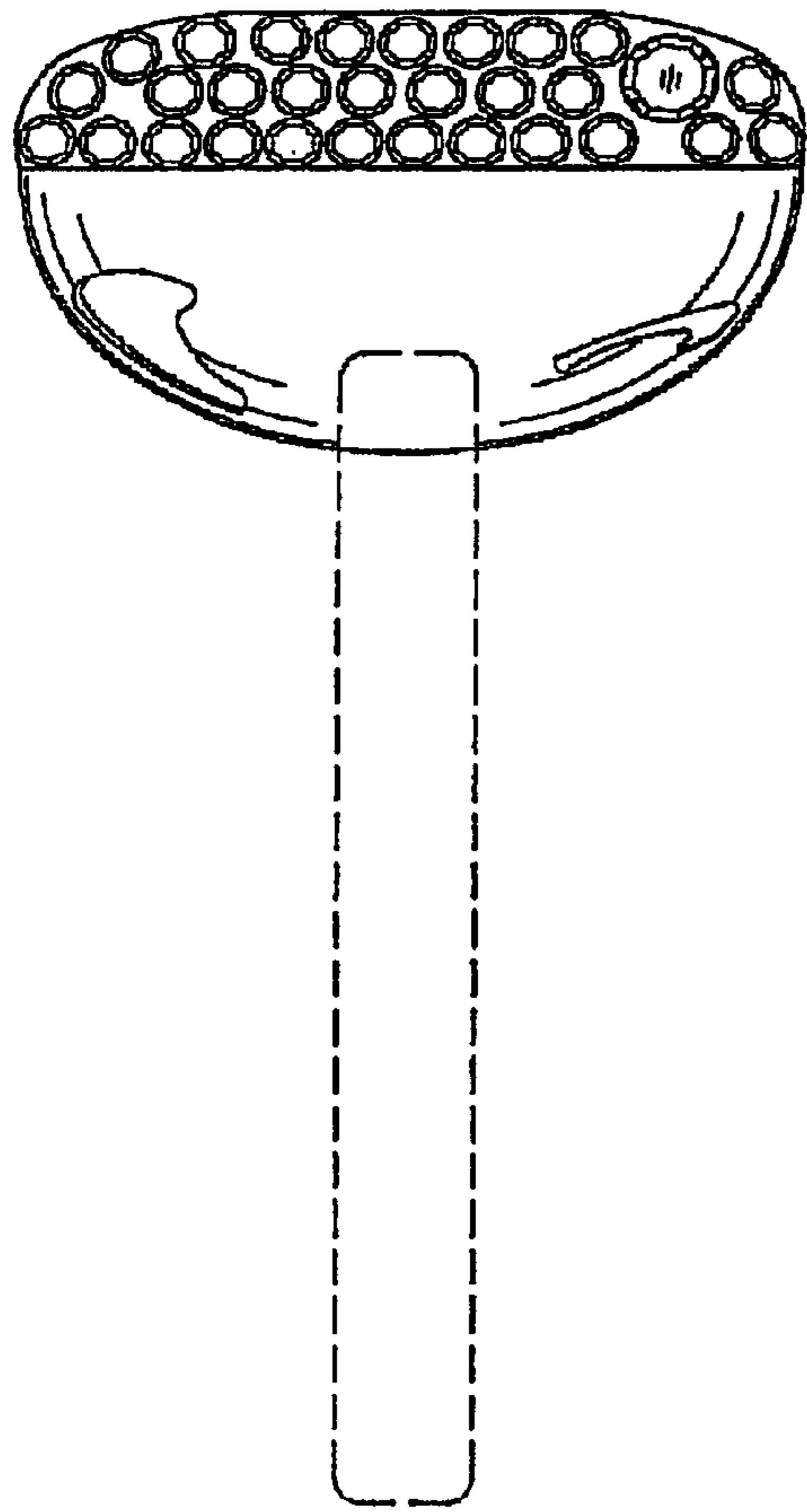


FIG. 6

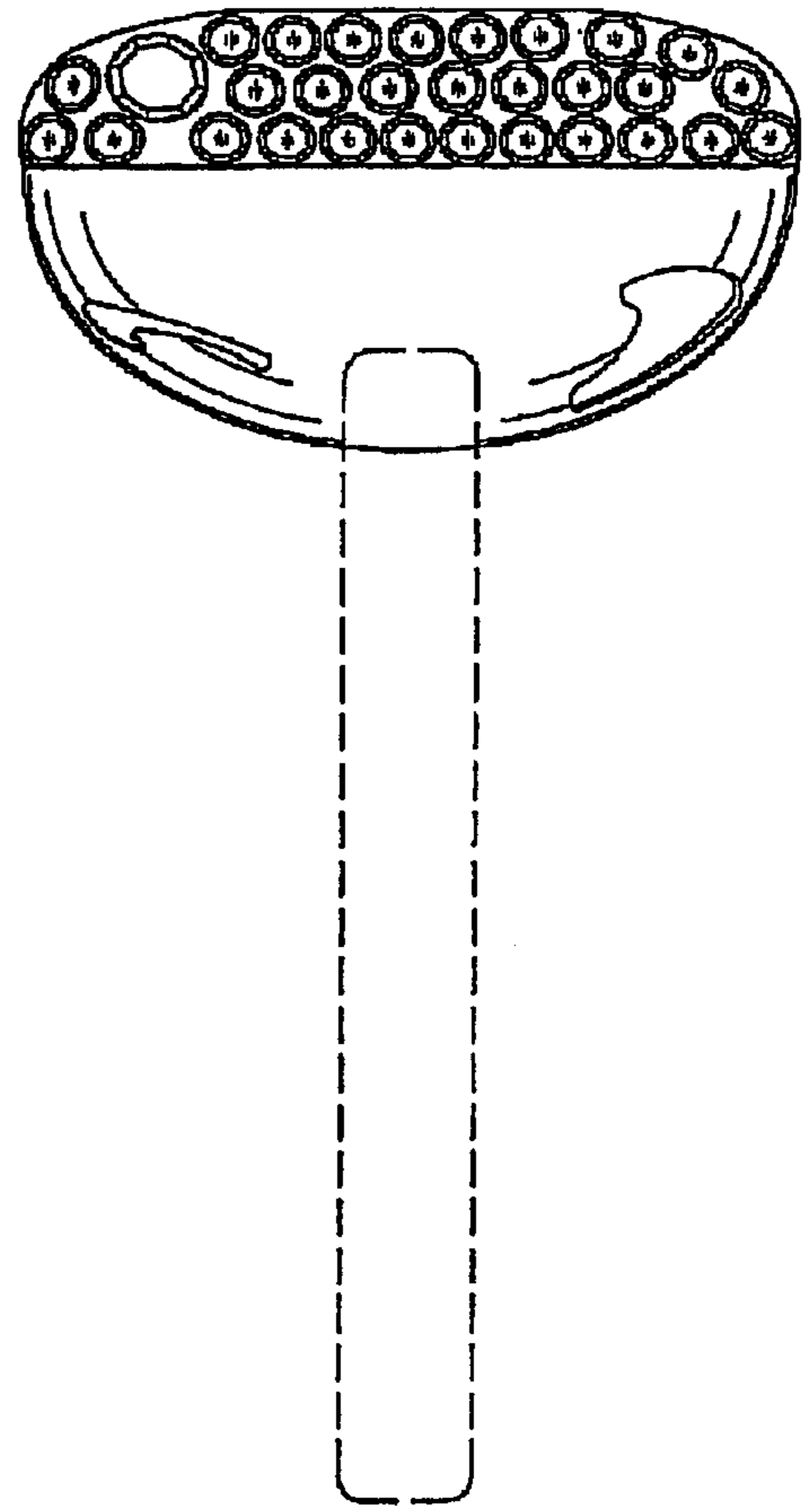


FIG. 7