

US00D505634S

(12) **United States Design Patent**
Hardy

(10) **Patent No.:** **US D505,634 S**

(45) **Date of Patent:** **** May 31, 2005**

(54) **RING**

(75) **Inventor:** **Théodora Hardy, Paris (FR)**

(73) **Assignee:** **Cartier International B.V., Amsterdam (NL)**

(**) **Term:** **14 Years**

(21) **Appl. No.:** **29/179,460**

(22) **Filed:** **Apr. 11, 2003**

(30) **Foreign Application Priority Data**

Oct. 15, 2002 (FR) 02 6232

(51) **LOC (7) Cl.** **11-01**

(52) **U.S. Cl.** **D11/34**

(58) **Field of Search** D11/3, 26-39;
63/3, 1.11, 1.12, 12, 15, 15.1, 15.2-15.3,
15.4, 15.45, 15.5-15.6, 15.65, 15.7-15.8,
15.9, 26, 27-28, 39

(56) **References Cited**

U.S. PATENT DOCUMENTS

D438,486 S * 3/2001 Ghemati D11/26

D443,548 S * 6/2001 Haquet D11/26
D453,486 S * 2/2002 Zillig D11/38
D457,089 S * 5/2002 Mistretta D11/26
D491,834 S * 6/2004 Flynn D11/26

* cited by examiner

Primary Examiner—Cathy Anne MacCormac

(74) *Attorney, Agent, or Firm*—Oliff & Berridge, PLC

(57) **CLAIM**

The ornamental design for a ring, as shown and described.

DESCRIPTION

FIG. 1 is a front view of a ring;

FIG. 2 is a rear view thereof;

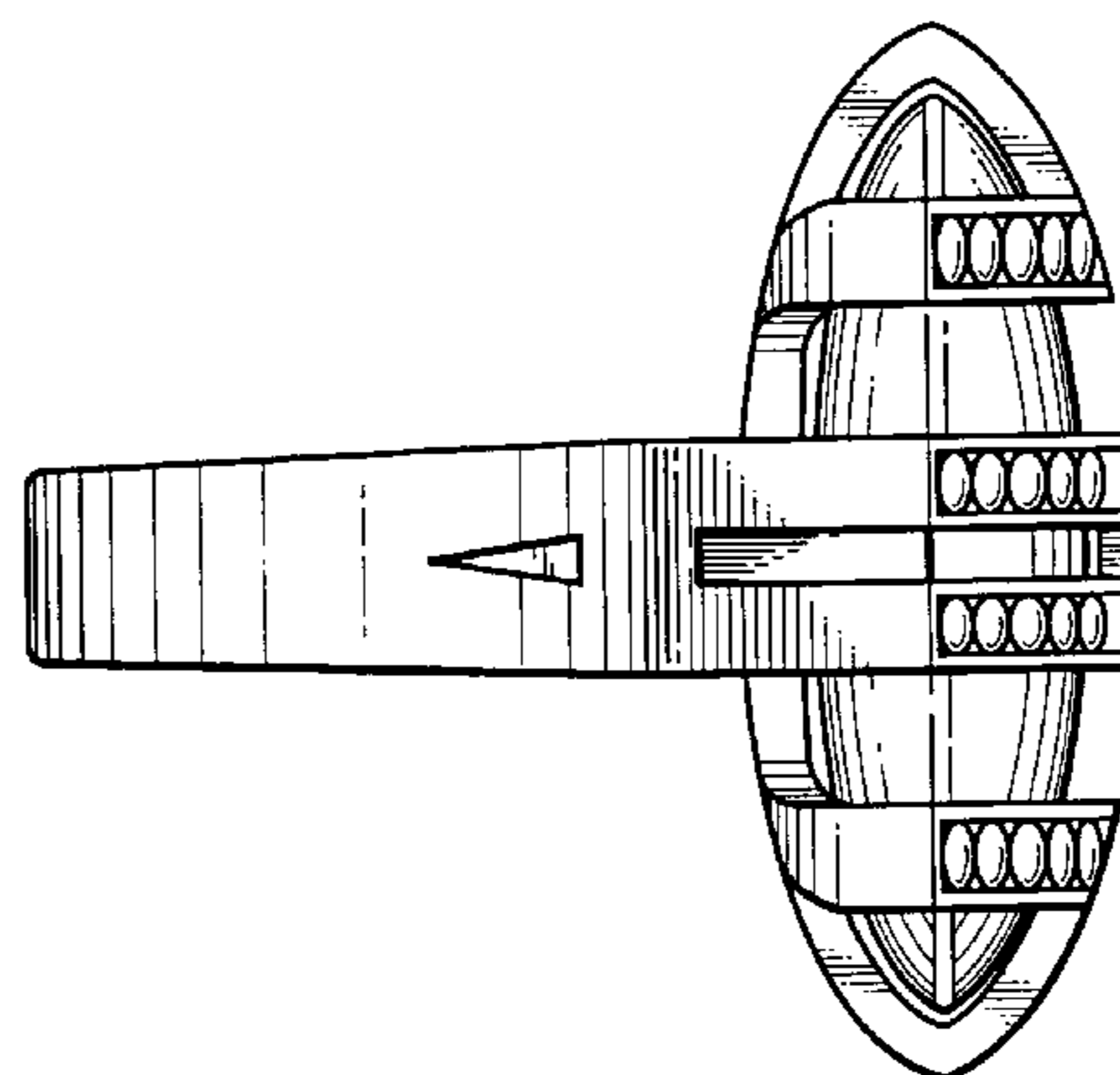
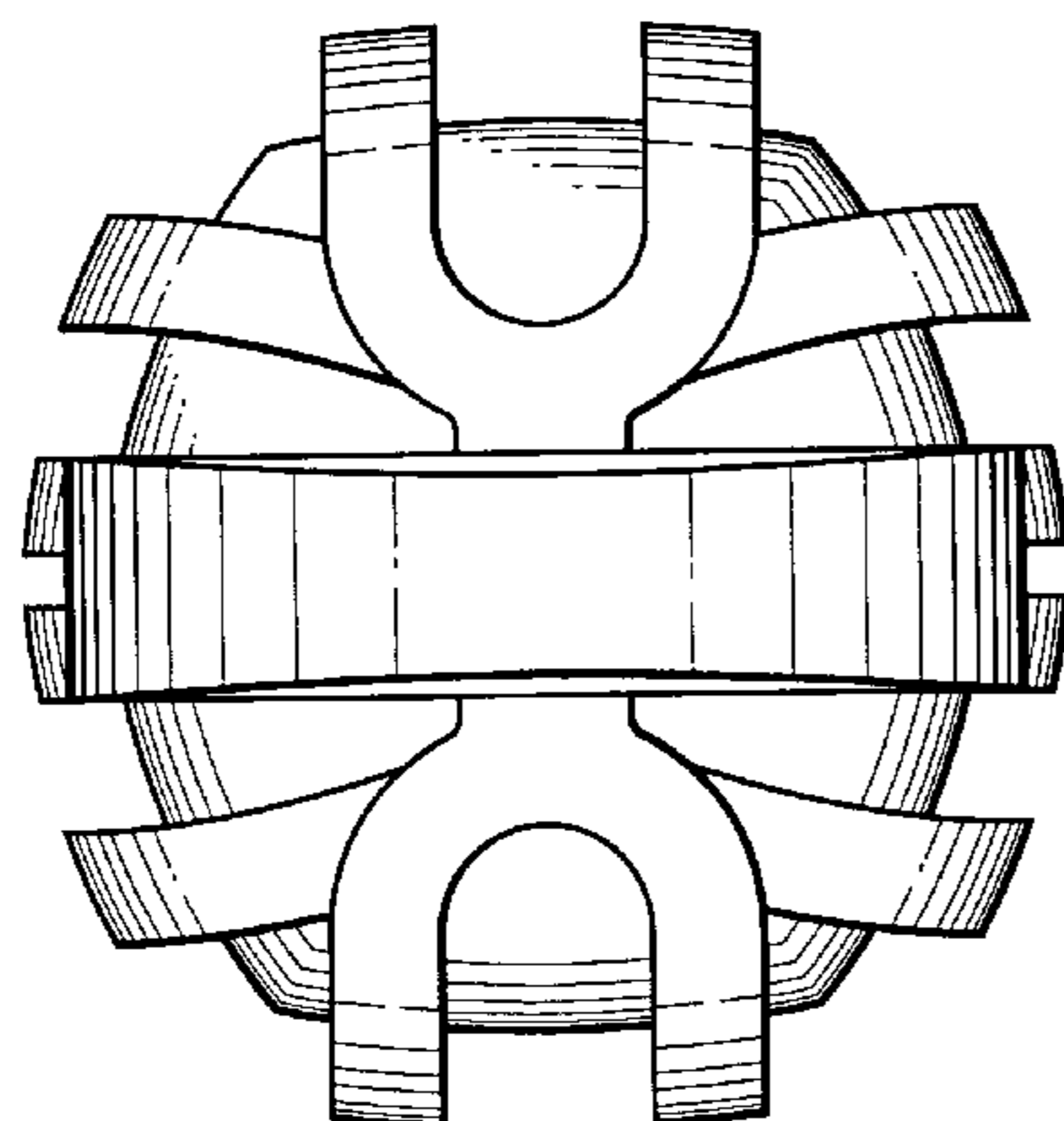
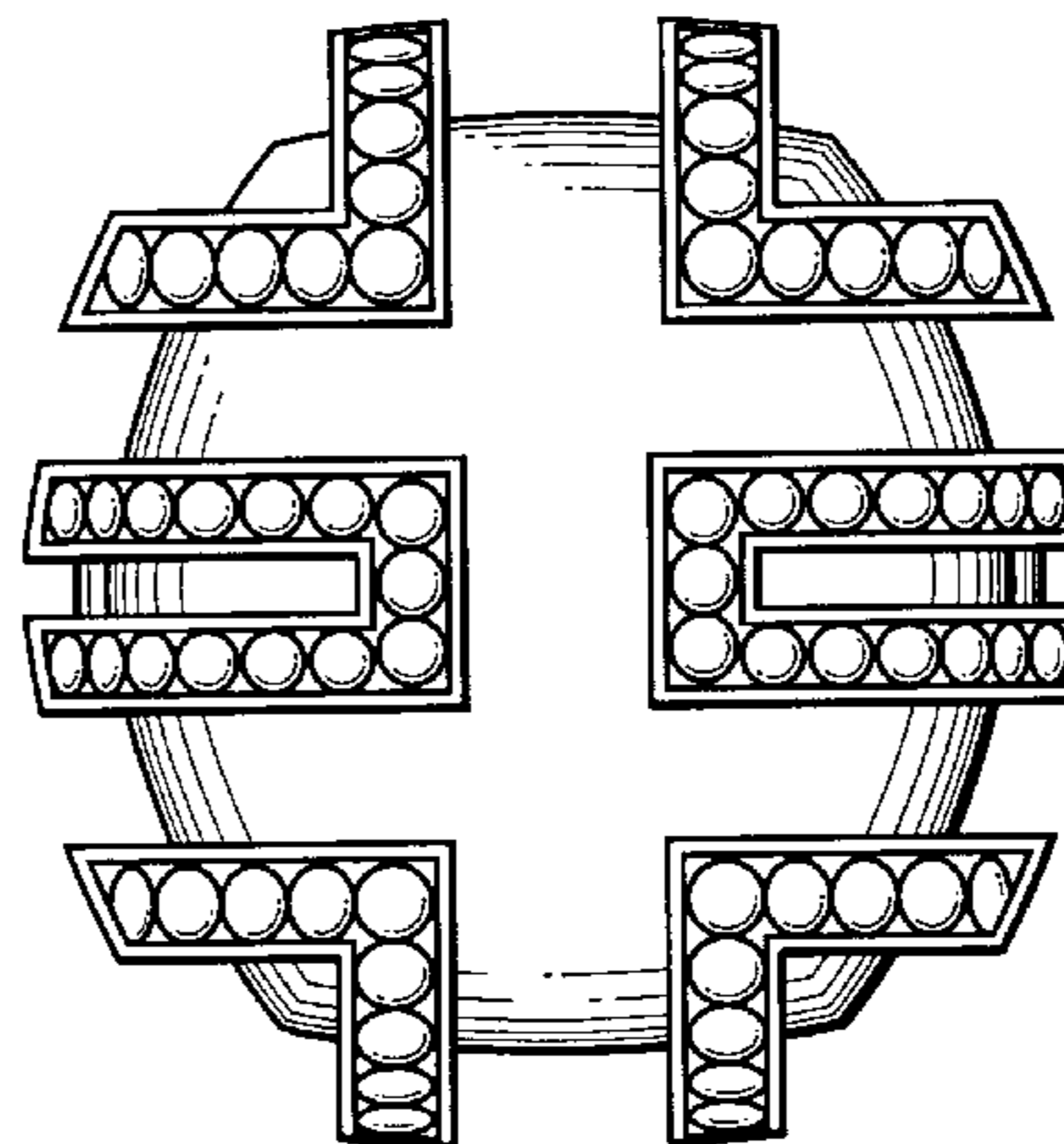
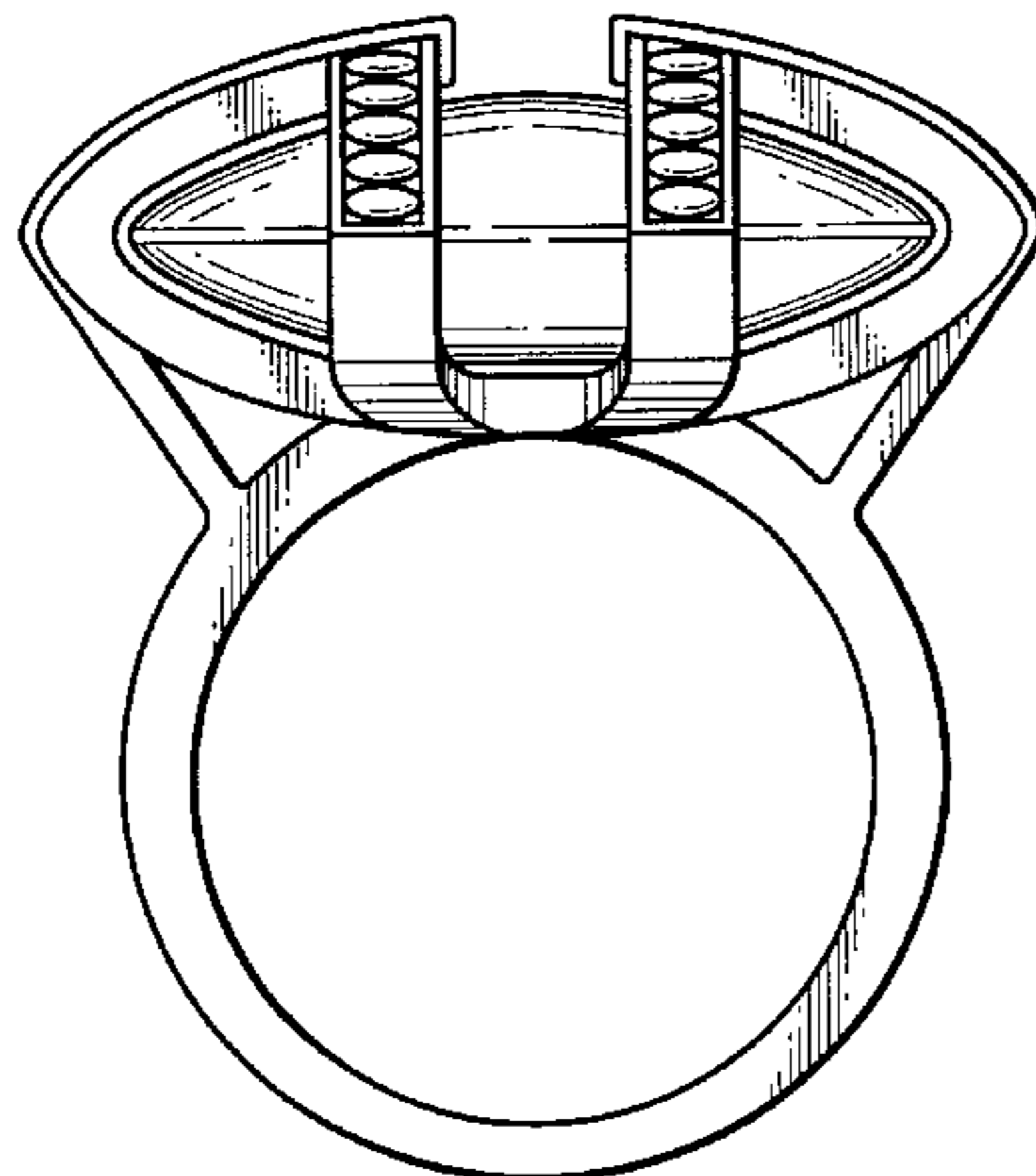
FIG. 3 is a top view thereof;

FIG. 4 is a bottom view thereof;

FIG. 5 is a right-side view thereof; and,

FIG. 6 is a left-side view thereof.

1 Claim, 3 Drawing Sheets



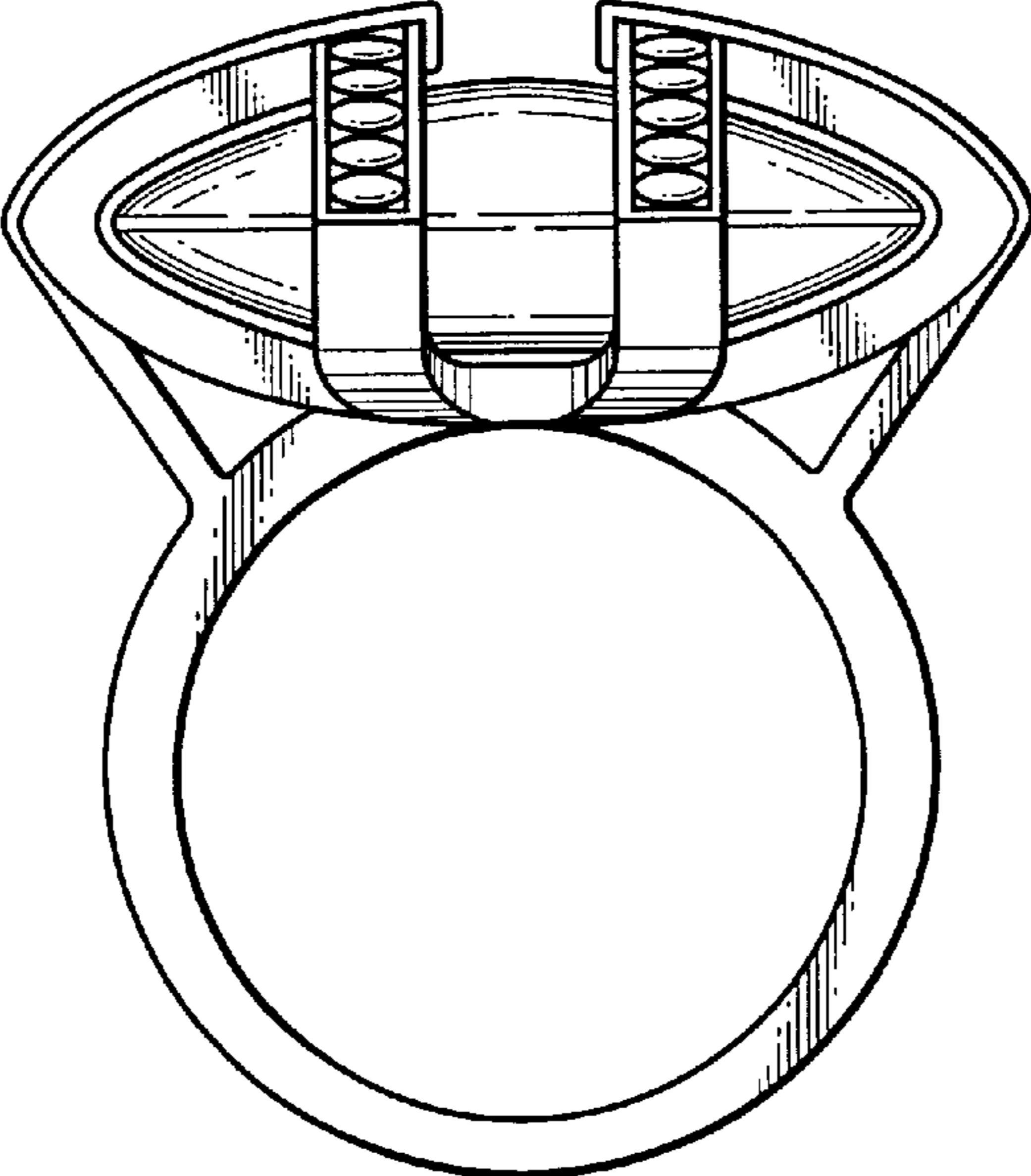


FIG. 1

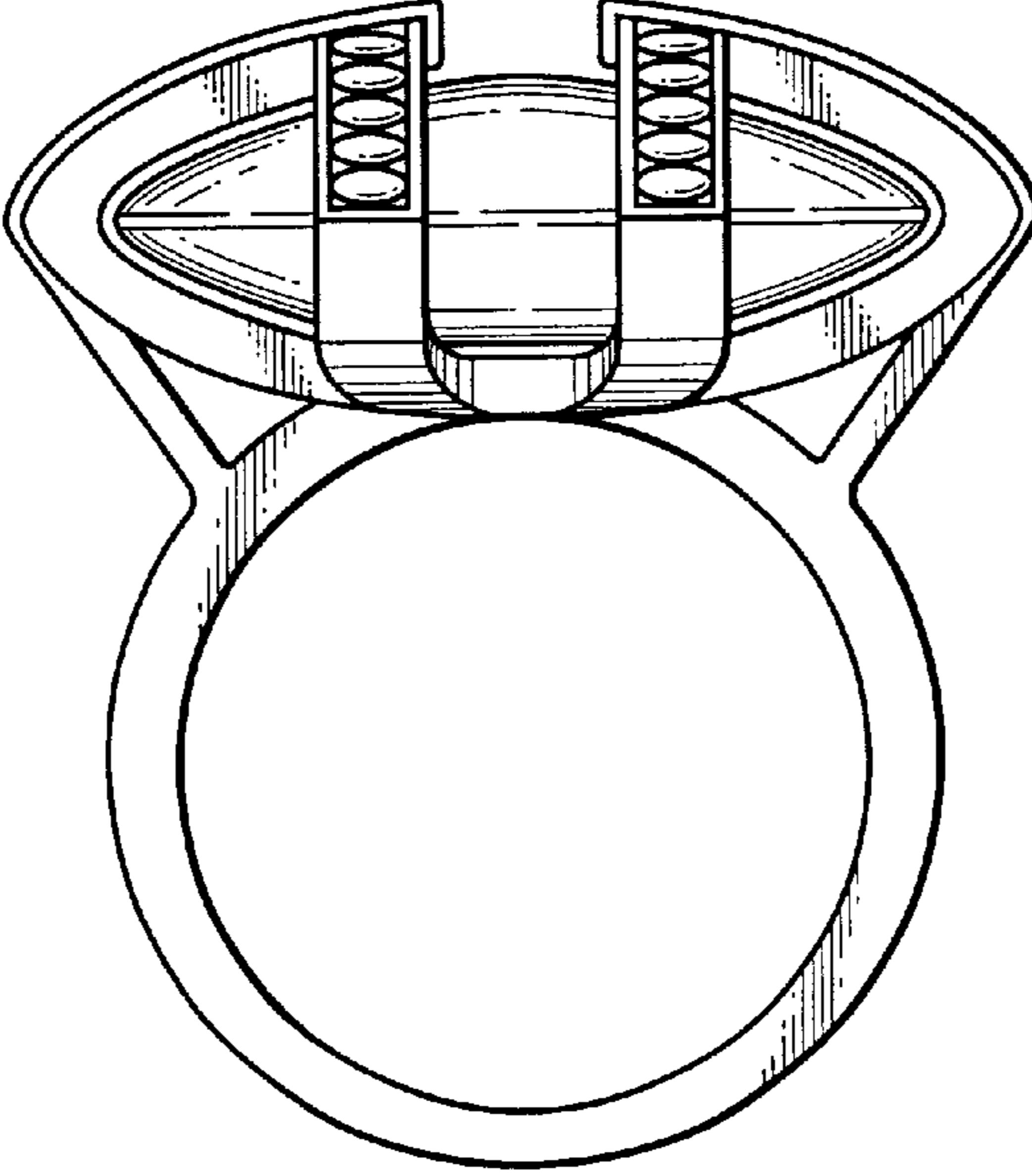


FIG. 2

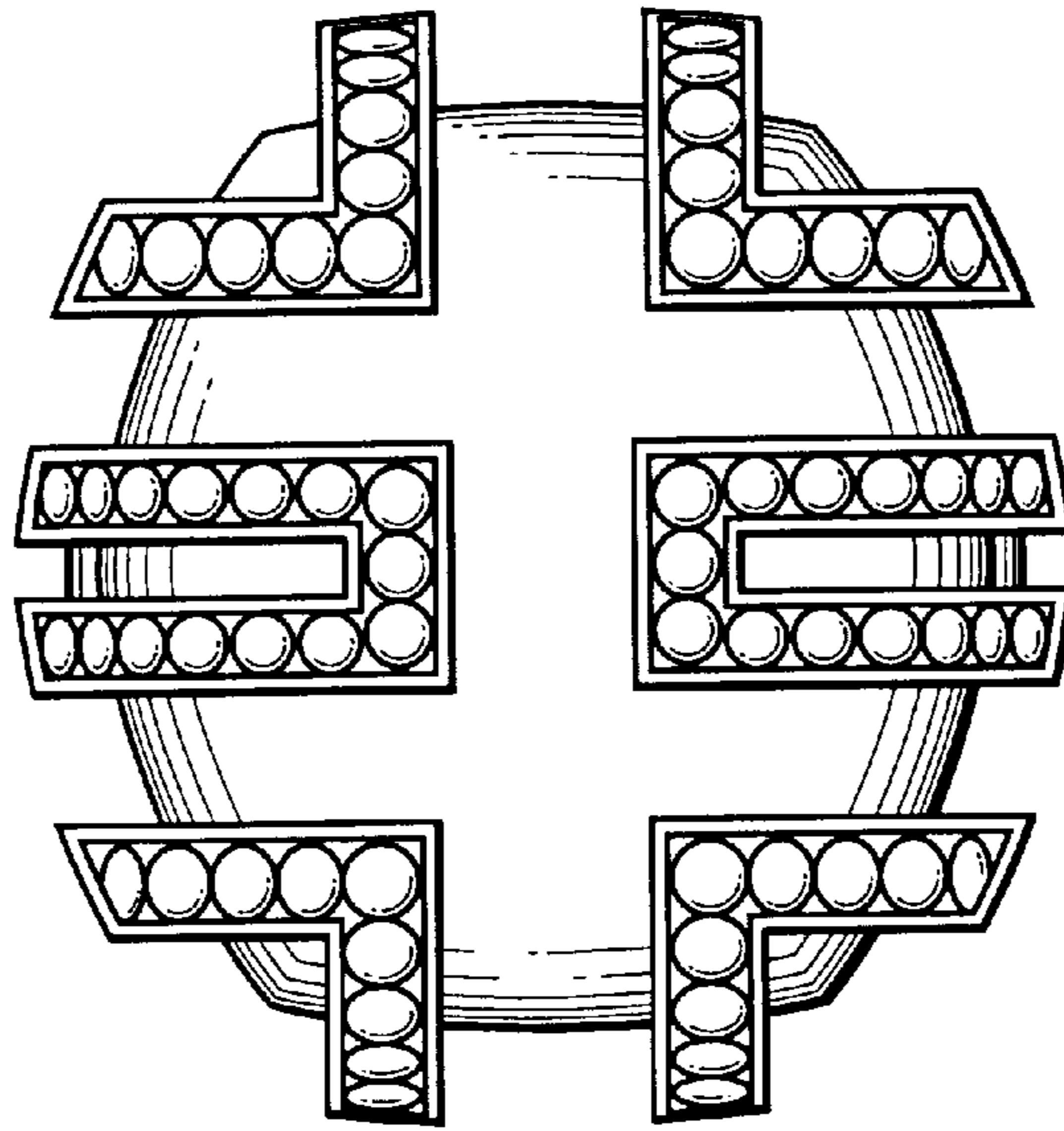


FIG. 3

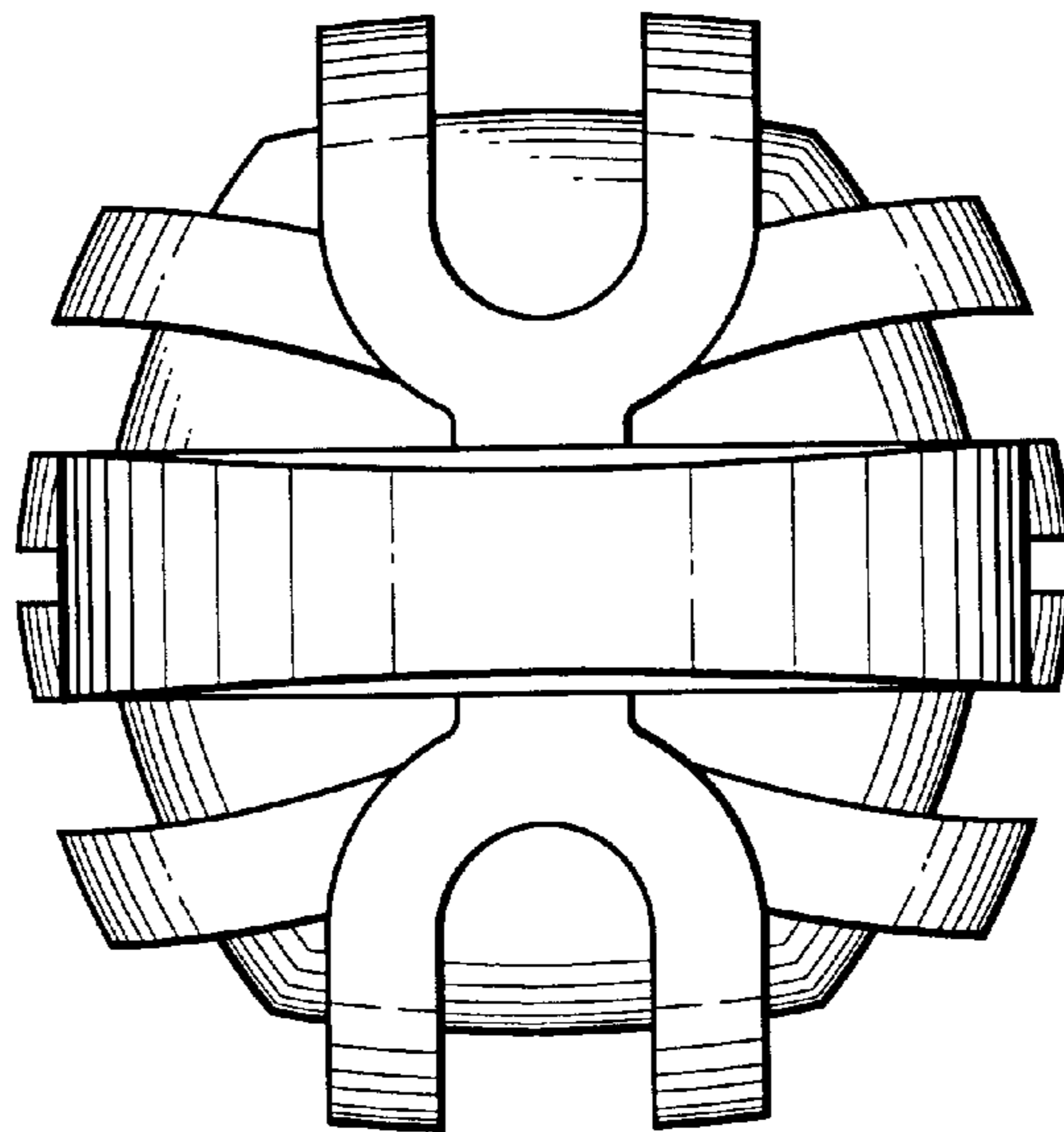


FIG. 4

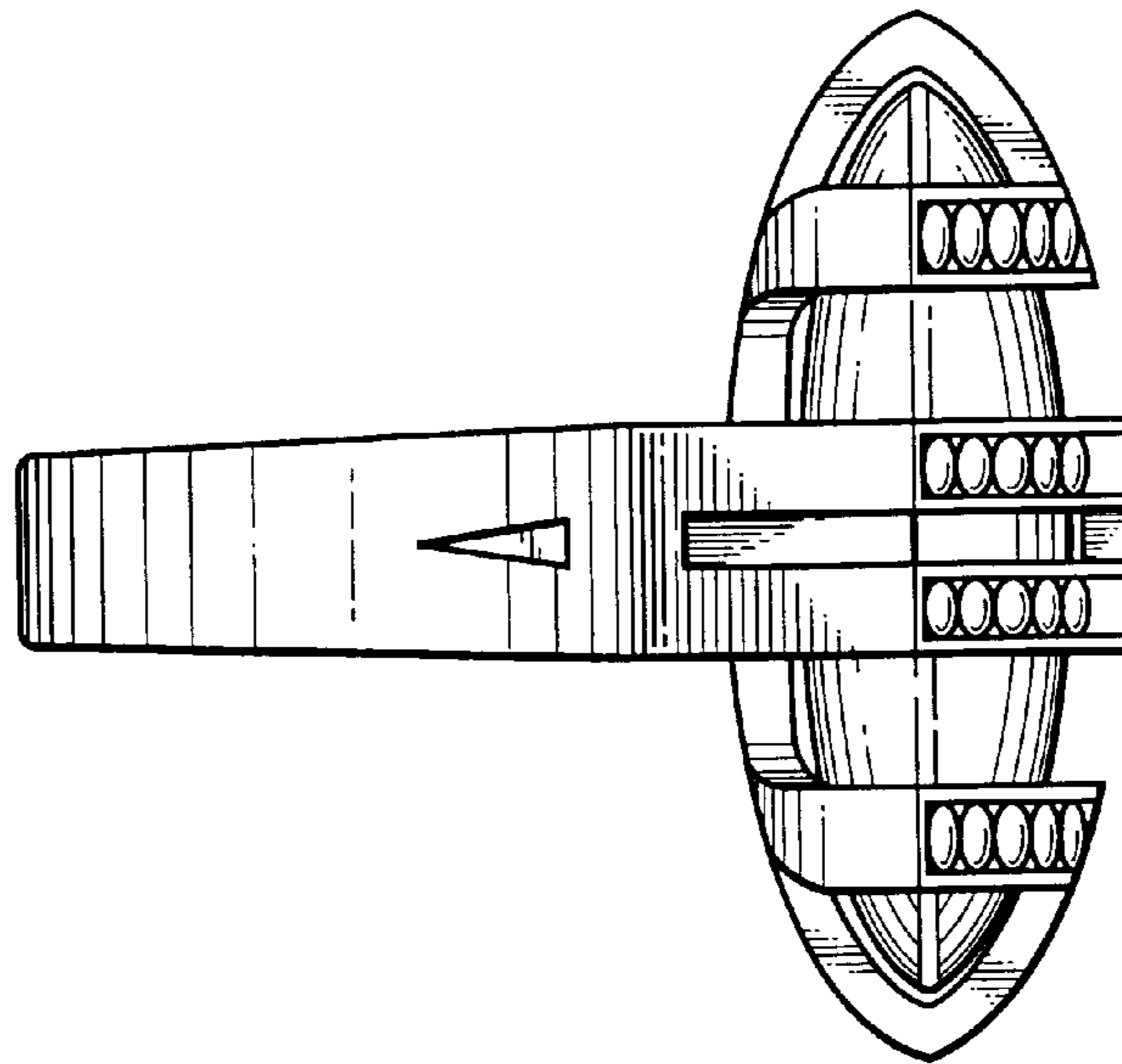


FIG. 5

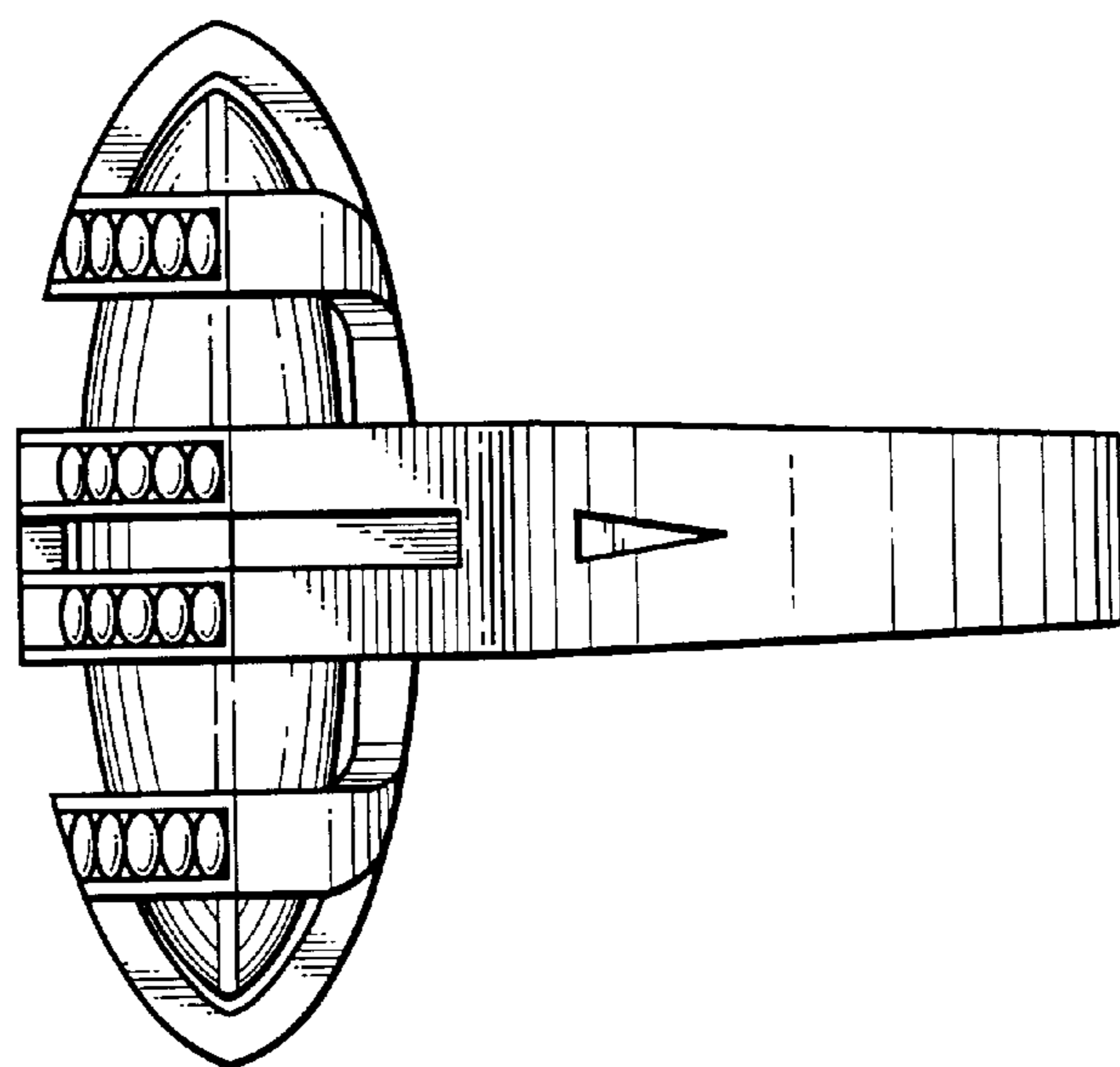


FIG. 6