

US00D505632S

(12) **United States Design Patent**
Johnson et al.

(10) **Patent No.: US D505,632 S**
(45) **Date of Patent: ** May 31, 2005**

(54) **HOUSING FOR A DETECTOR**

(75) Inventors: **Dale H. Johnson**, Elgin, IL (US);
James R. Stach, Carol Stream, IL
(US); **Bojana Vojinovic**, Carol Stream,
IL (US)

(73) Assignee: **Honeywell International, Inc.**,
Morristown, NJ (US)

(**) Term: **14 Years**

(21) Appl. No.: **29/187,856**

(22) Filed: **Aug. 8, 2003**

(51) **LOC (7) Cl. 10-05**

(52) **U.S. Cl. D10/106**

(58) **Field of Search** D10/104, 106,
D10/116, 118; 340/584, 587, 521, 517,
525, 309.16, 693.5, 310.01, 691.4, 287-309

(56) **References Cited**

U.S. PATENT DOCUMENTS

D249,481 S	9/1978	Conforti et al.	D10/106
D249,482 S	9/1978	Conforti et al.	D10/106
D249,483 S	9/1978	Conforti et al.	D10/106

(Continued)

FOREIGN PATENT DOCUMENTS

CA	70719	6/1992
GB	26724/203	10/1964

OTHER PUBLICATIONS

System Sensor, 400 Series Plug-In Smoke Detectors, 4pg.
brochure, Jul., 1992.*
System Sensor, Model 18002-Wire Systems Detectors, 2
pg. brochure, May, 1988.
System Sensor, 400 Serial Next Generation Detectors, 2 pg.
brochure, 1991.

(Continued)

Primary Examiner—Antoine Duval Davis
Assistant Examiner—Sydney R. Buffalow
(74) *Attorney, Agent, or Firm*—Welsh & Katz, Ltd.

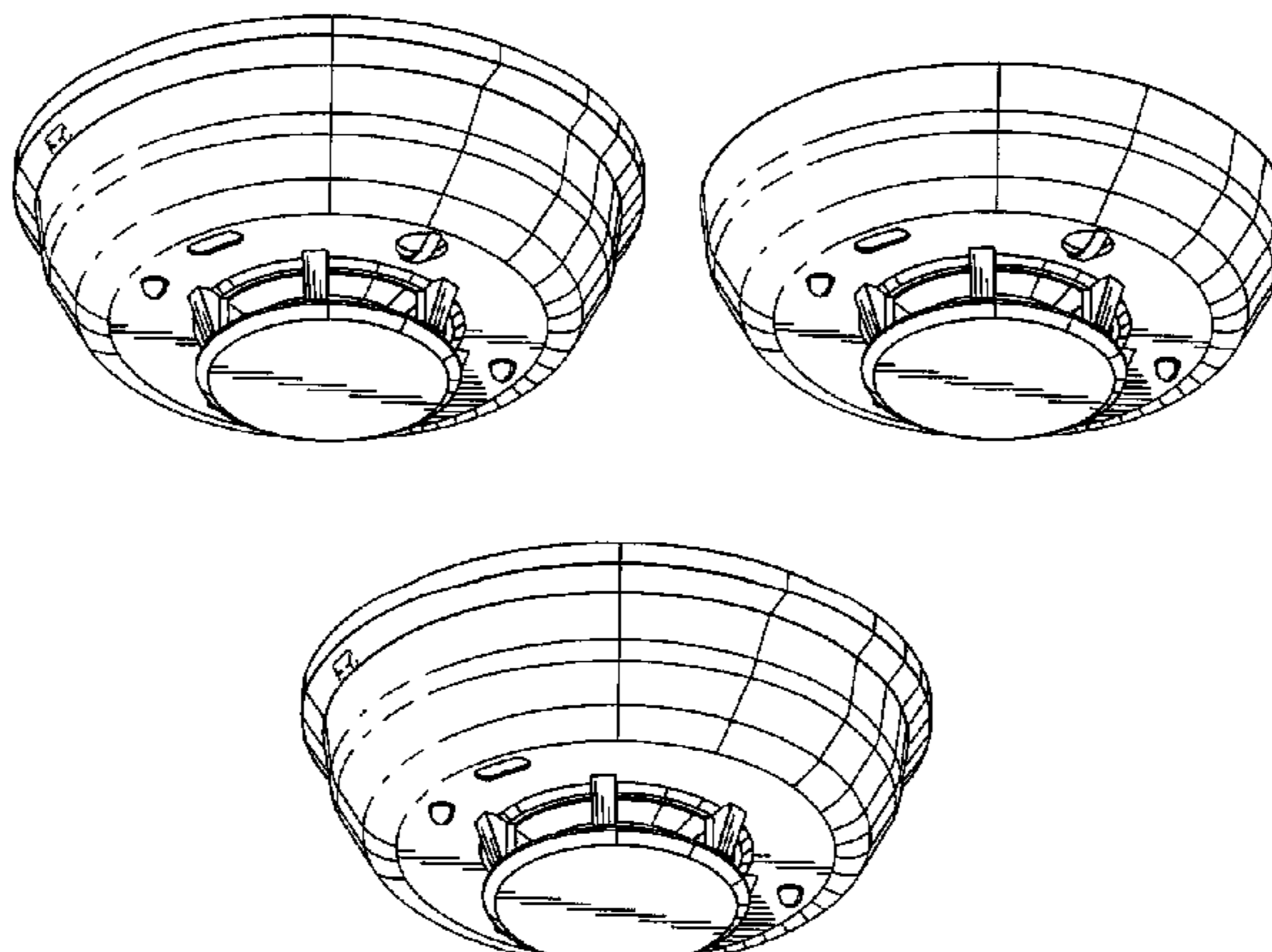
(57) **CLAIM**

The ornamental design for a housing for a detector, as shown
and described.

DESCRIPTION

FIG. 1 is a perspective view of a housing in accordance with
the invention;
FIG. 2 is a side elevational view of the housing of FIG. 1;
FIG. 3 is a top plan view of the housing of FIG. 1;
FIG. 4 is a side elevational view of the housing of FIG. 1
rotated 90° relative to FIG. 2;
FIG. 5 is a perspective view of an alternate embodiment of
the housing of FIG. 1;
FIG. 6 is a side elevational view of the housing of FIG. 5;
FIG. 7 is a top plan view of the housing of FIG. 5;
FIG. 8 is another side elevational view of the housing of
FIG. 5 rotated 90° relative to the housing of FIG. 6;
FIG. 9 is a perspective view of another embodiment of a
housing in accordance with the present invention;
FIG. 10 is a side elevational view of the housing of FIG. 9;
FIG. 11 is a top plan view of the housing of FIG. 9;
FIG. 12 is another side elevational view of the housing of
FIG. 9 rotated 90° relative to the view of FIG. 10;
FIG. 13 is a perspective view of an alternate embodiment of
the housing of FIG. 9;
FIG. 14 is a side elevational view of the housing of FIG. 13;
FIG. 15 is a top plan view of the housing of FIG. 13;
FIG. 16 is another side elevational view of the housing of
FIG. 13, rotated 90° relative to the view of FIG. 14;
FIG. 17 is a perspective view of another embodiment of a
housing in accordance with the invention;
FIG. 18 is a top plan view of the housing of FIG. 17;
FIG. 19 is a perspective view of another embodiment of the
housing of FIG. 17;
FIG. 20 is a top plan view of the housing of FIG. 19;
FIG. 21 is a perspective view of another embodiment of a
housing in accordance with the invention;
FIG. 22 is a top plan view of the housing of FIG. 21;
FIG. 23 is a perspective view of another embodiment of the
housing of FIG. 21; and,
FIG. 24 is a top plan view of the housing of FIG. 23.
The bottom view of the housing has not been shown. It is
unadorned and is not part of the invention.

1 Claim, 8 Drawing Sheets



U.S. PATENT DOCUMENTS

D258,353 S	2/1981	Mango et al.	D10/106
D261,997 S	11/1981	Westphal	D10/106
D262,868 S	2/1982	Westphal	D10/106
D262,952 S	2/1982	Hanig	D10/106
D271,287 S	11/1983	Fenne	D10/106
D276,417 S	11/1984	Fenne	D10/106
D283,407 S	4/1986	Fenne	D10/106
D284,748 S	7/1986	Fenne	D10/106
D308,835 S	6/1990	Fenne	D10/106
D308,836 S	6/1990	Fenne	D10/106
D340,201 S	10/1993	Fenne et al.	D10/106
D340,416 S	10/1993	Fenne	D10/106
D340,659 S	* 10/1993	Fenne	D10/106
D346,981 S	5/1994	Ratzlaff	D10/106
D355,862 S	* 2/1995	Tice et al.	D10/106
D356,050 S	3/1995	Tice et al.	D10/106
D360,373 S	7/1995	Tice et al.	D10/106
D360,374 S	7/1995	Tice et al.	D10/106
5,448,462 A	9/1995	Moran, III	362/301
D371,086 S	6/1996	Collins	D10/106
D377,460 S	1/1997	Nelson et al.	D10/106
D382,217 S	8/1997	Akiyama et al.	D10/106
D382,825 S	8/1997	Amleshi	D10/106
D391,185 S	* 2/1998	Tomizawa	D10/106

D396,820 S	8/1998	Wallace	D10/106
D399,157 S	10/1998	Hsu et al.	D10/106
D412,676 S	8/1999	Layes	D10/106
D433,953 S	11/2000	Woznicki et al.	D10/106
D446,471 S	8/2001	Kurylo	
D446,741 S	* 8/2001	Johnson et al.	D10/106
6,522,254 B1	* 2/2003	Yamano	340/630
D485,200 S	* 1/2004	Berthold et al.	D10/106
6,797,959 B2	* 9/2004	Chang et al.	250/343

OTHER PUBLICATIONS

System Sensor, 4451E.5451E2 Plug-In Thermal Detectors, 2 pg. brochure, Jun., 1992.

System Sensor, 400 Series Ionization Smoke Detectors, 2 pg. brochure, Oct. 1991.

System Sensor, 2851 Series 2/4/6-Wire System Detectors, 2 pg. brochure, Oct., 1988.

System Sensor, 5551B Intelligent Fixed Temperature Thermal Sensor with Integral Communications, 2 pg. brochure, 1991.

Nittan Model 2KH Advertisement, believed to have been published in Jun., 1992.

* cited by examiner

FIG. 1

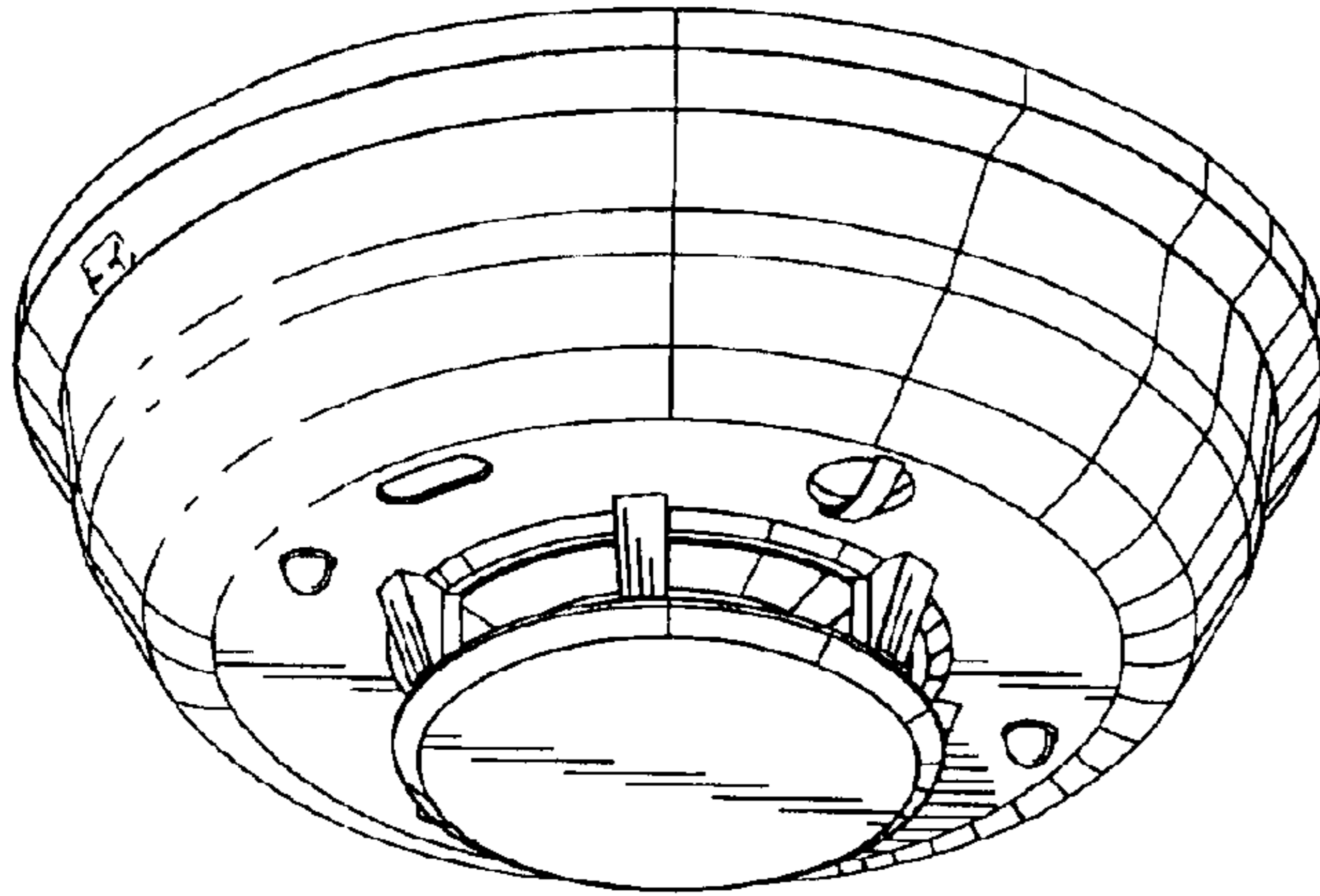


FIG. 2

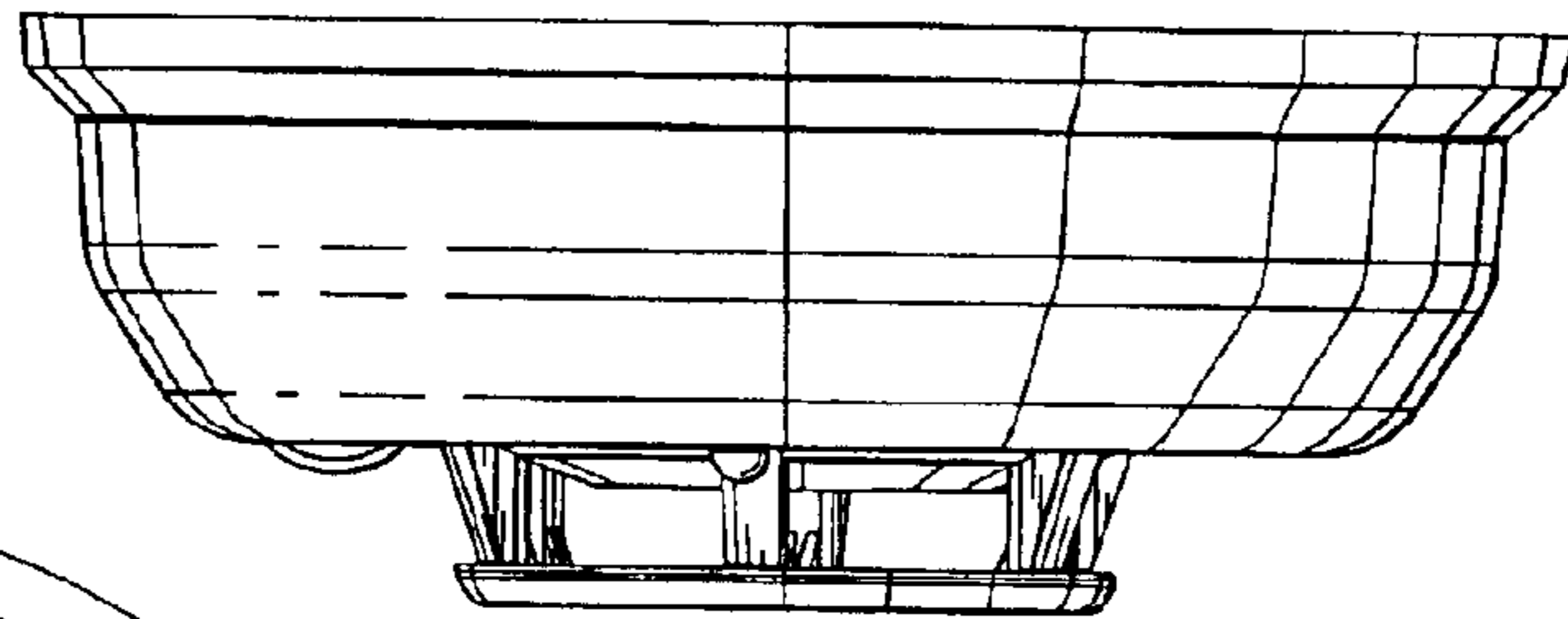


FIG. 3

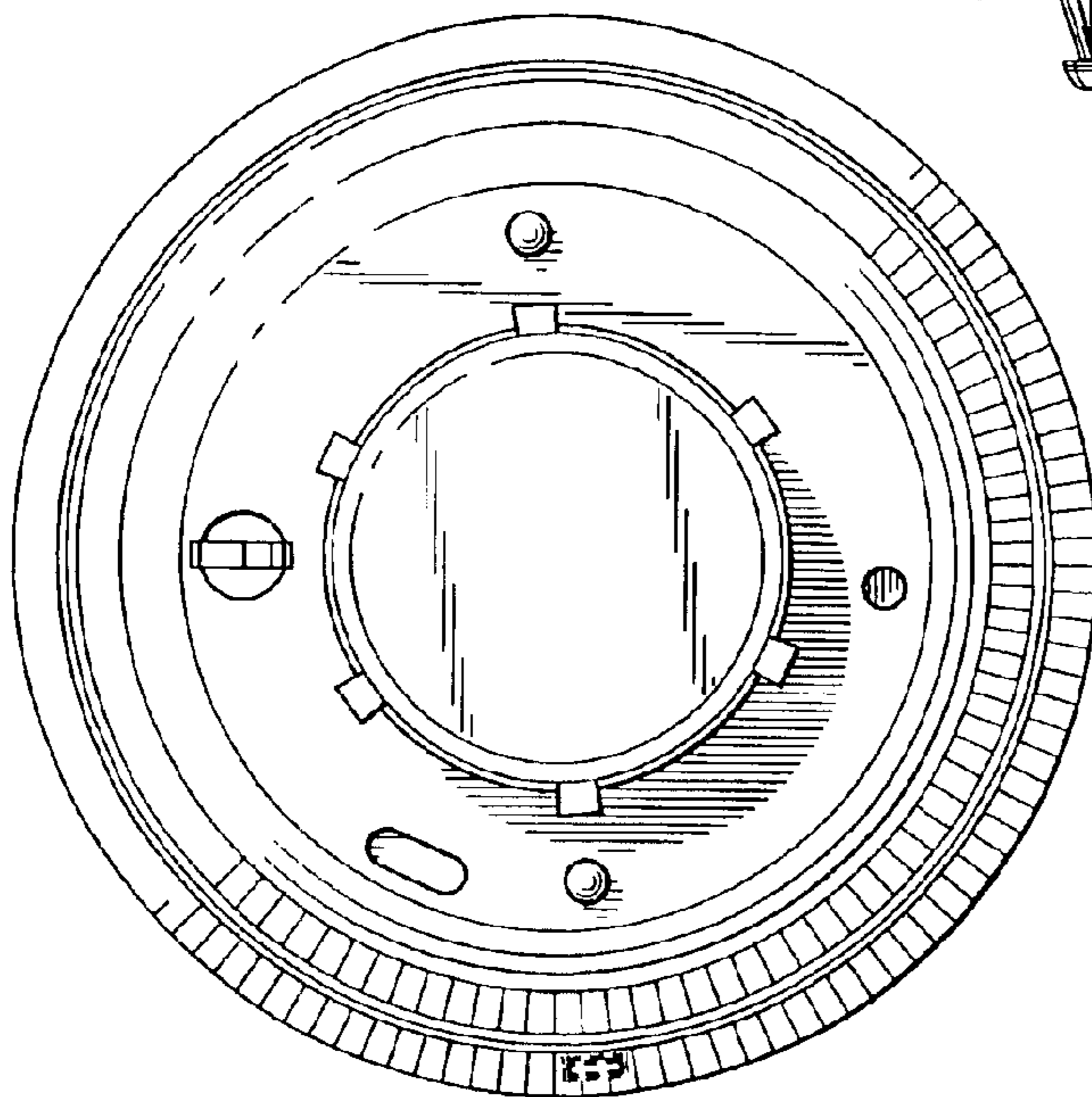


FIG. 4

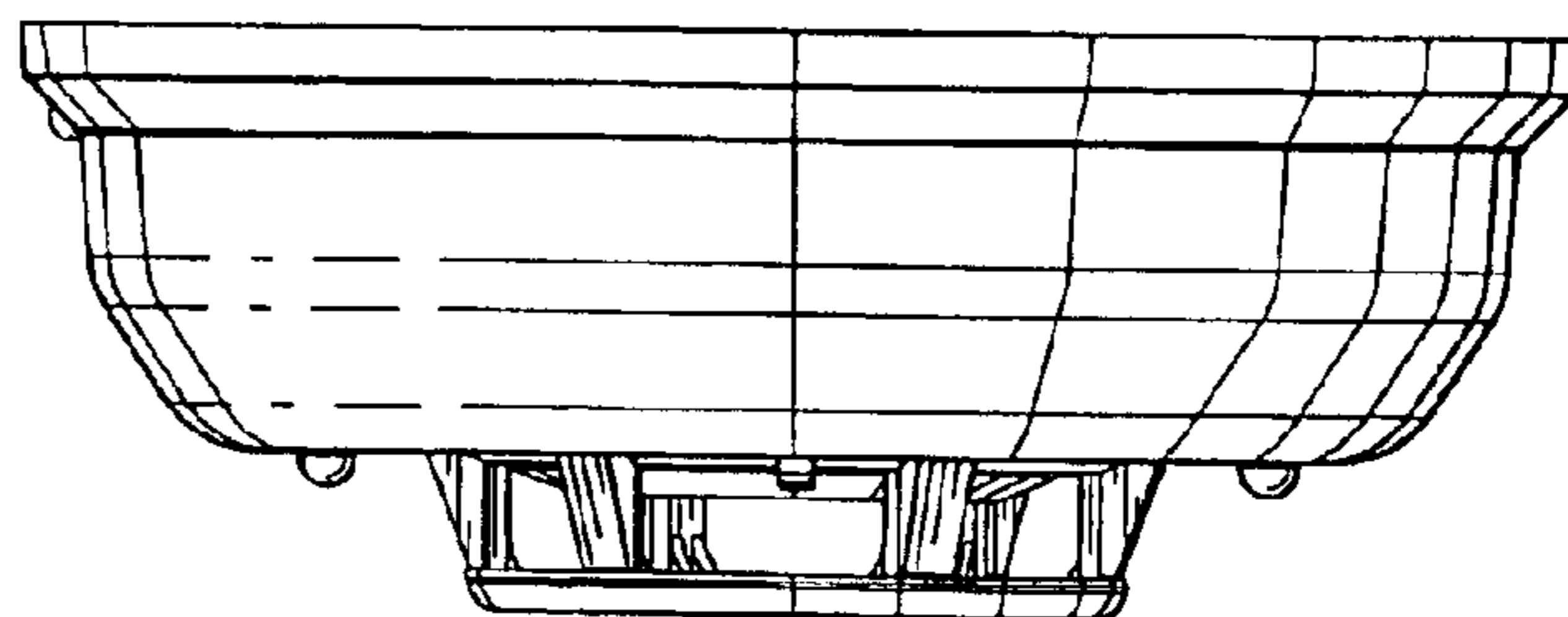


FIG. 5

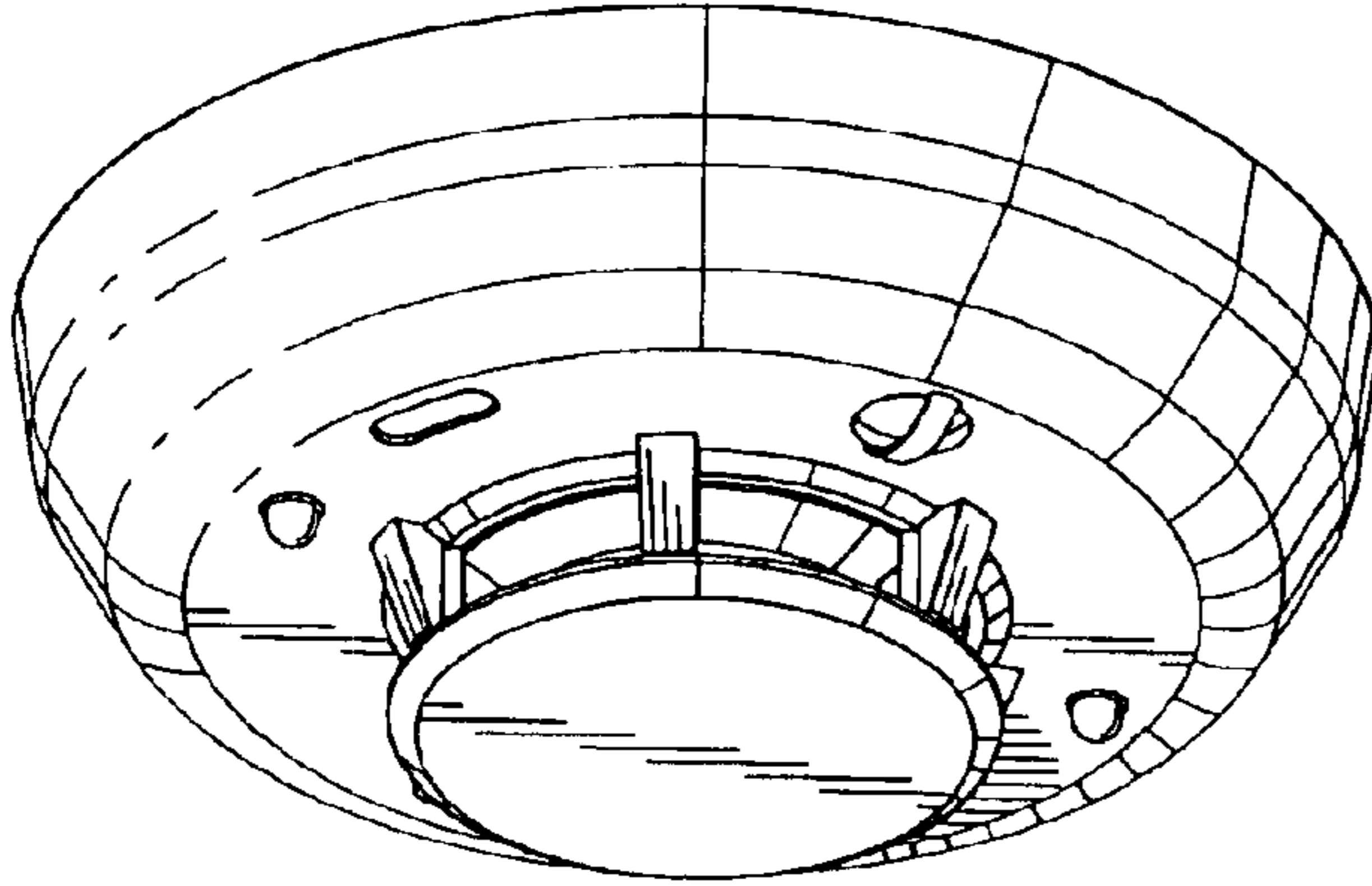


FIG. 6

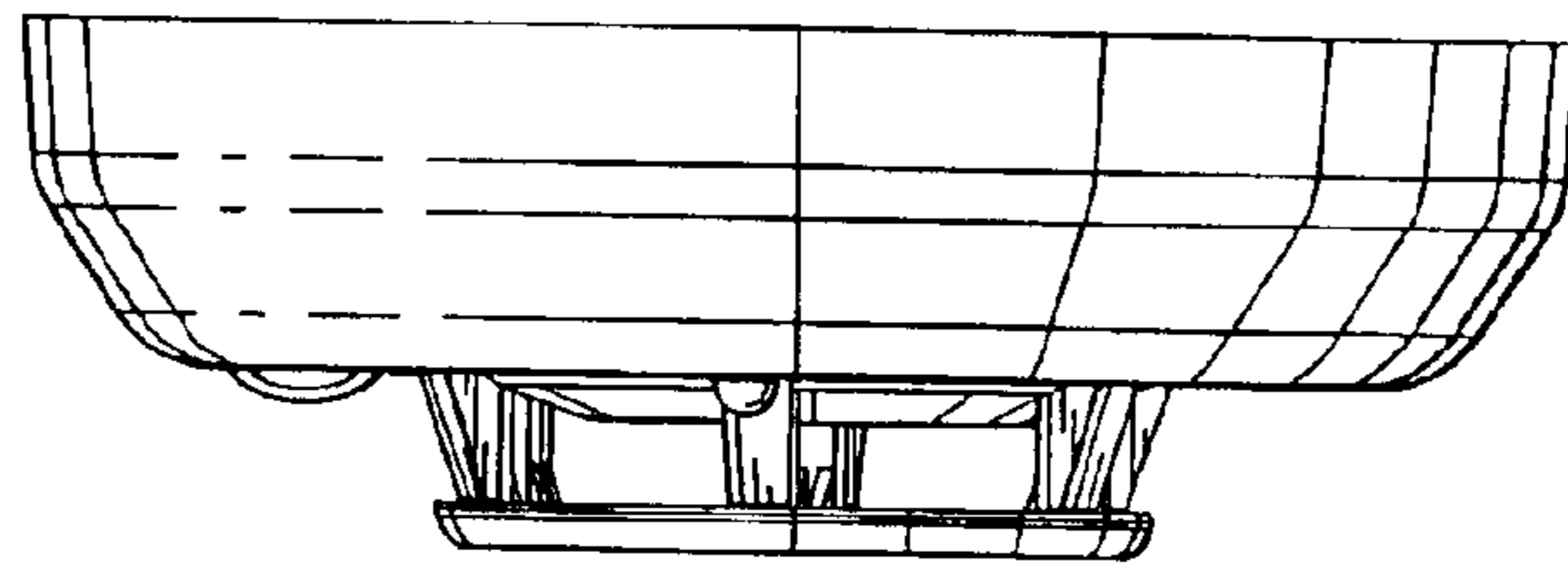


FIG. 7

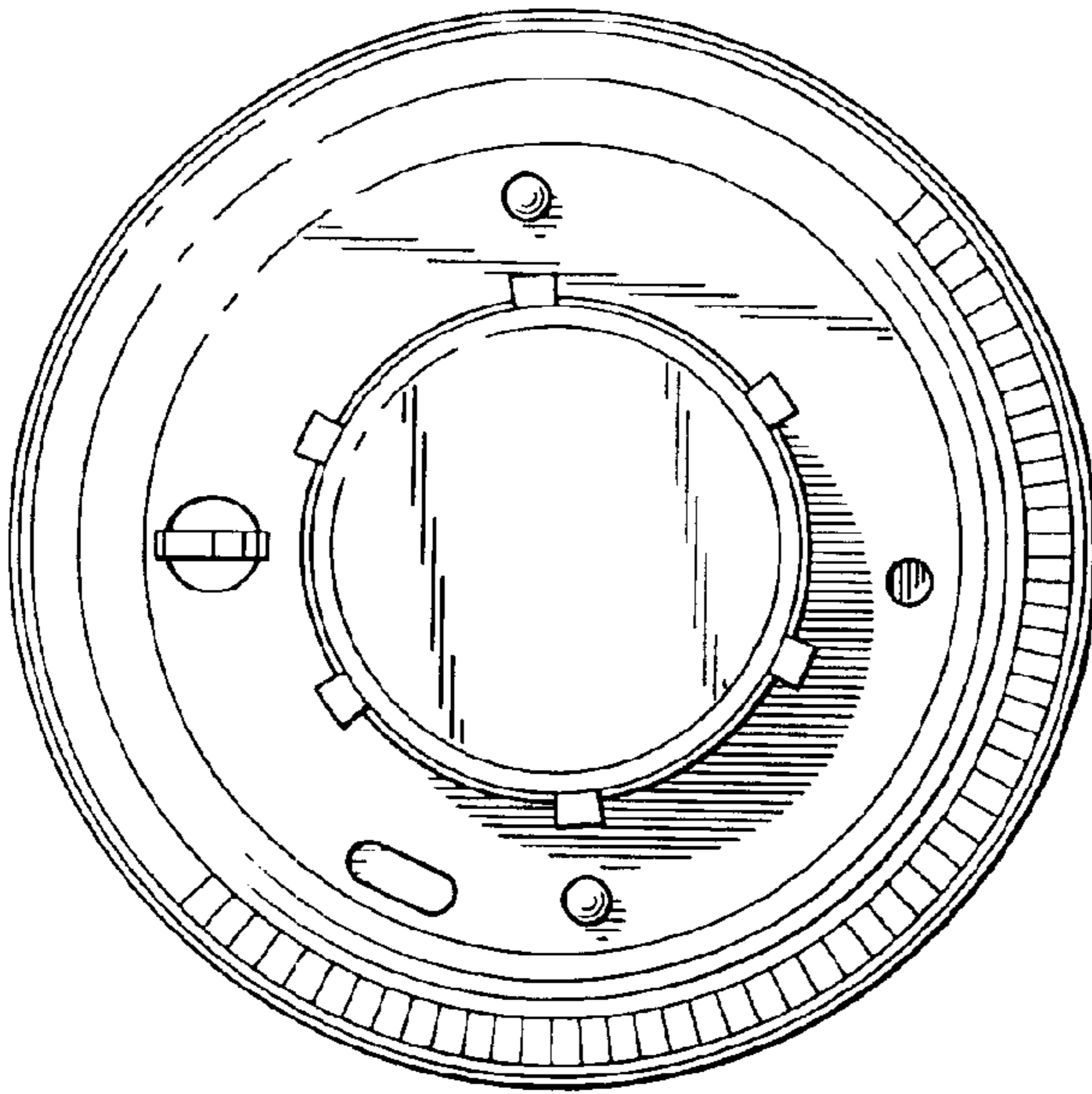


FIG. 8

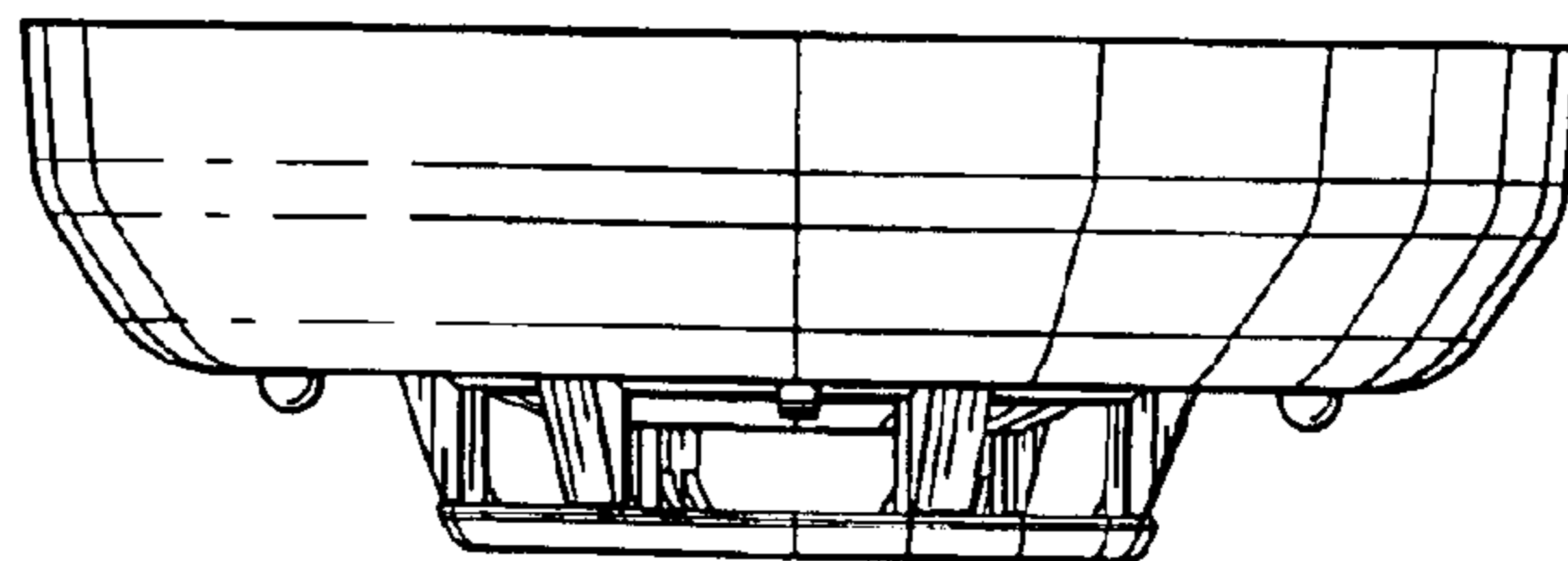


FIG. 9

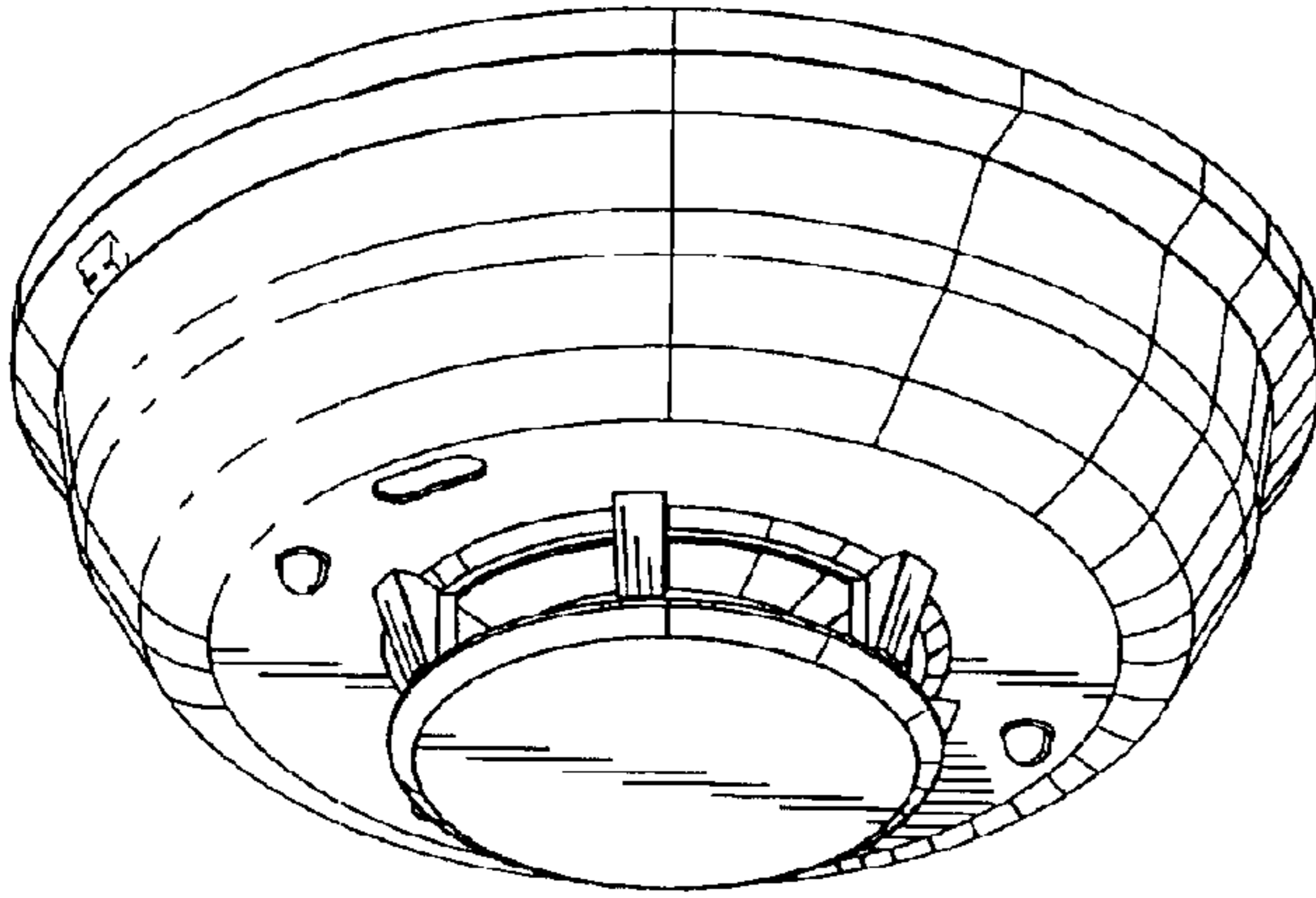


FIG. 10

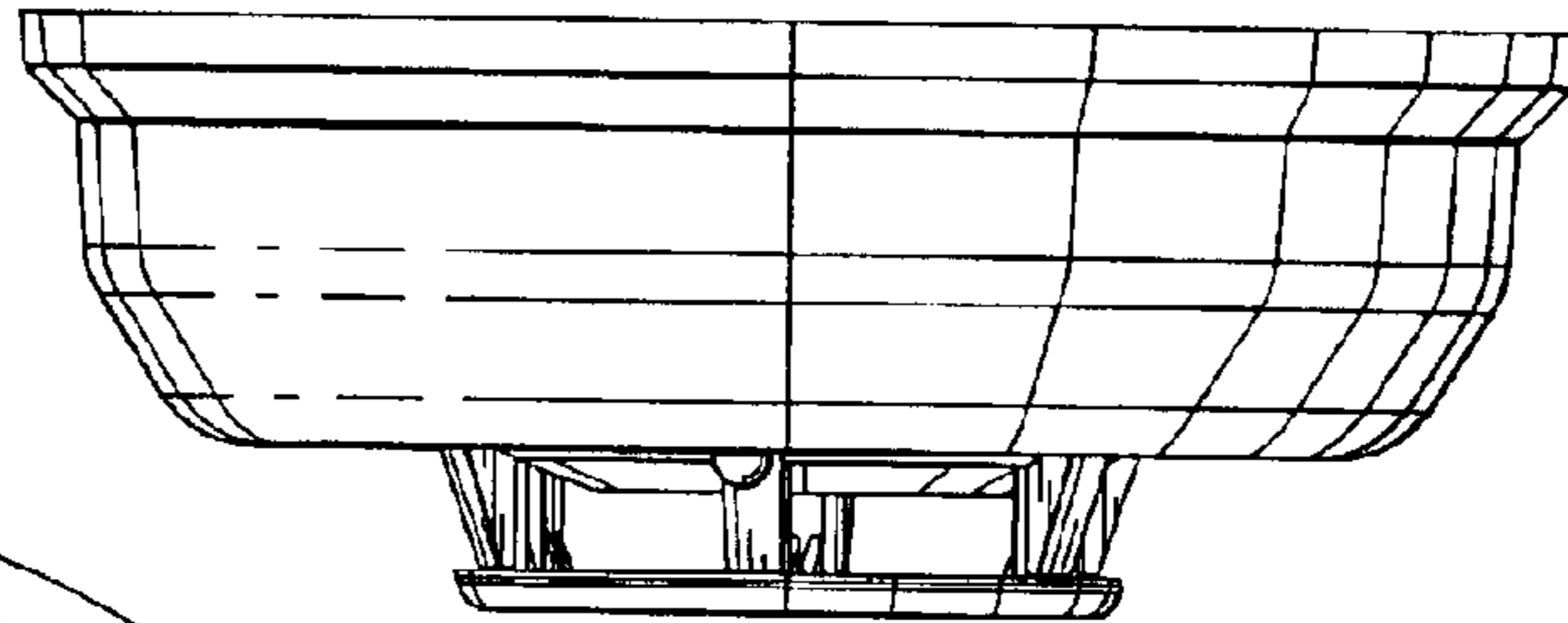


FIG. 11

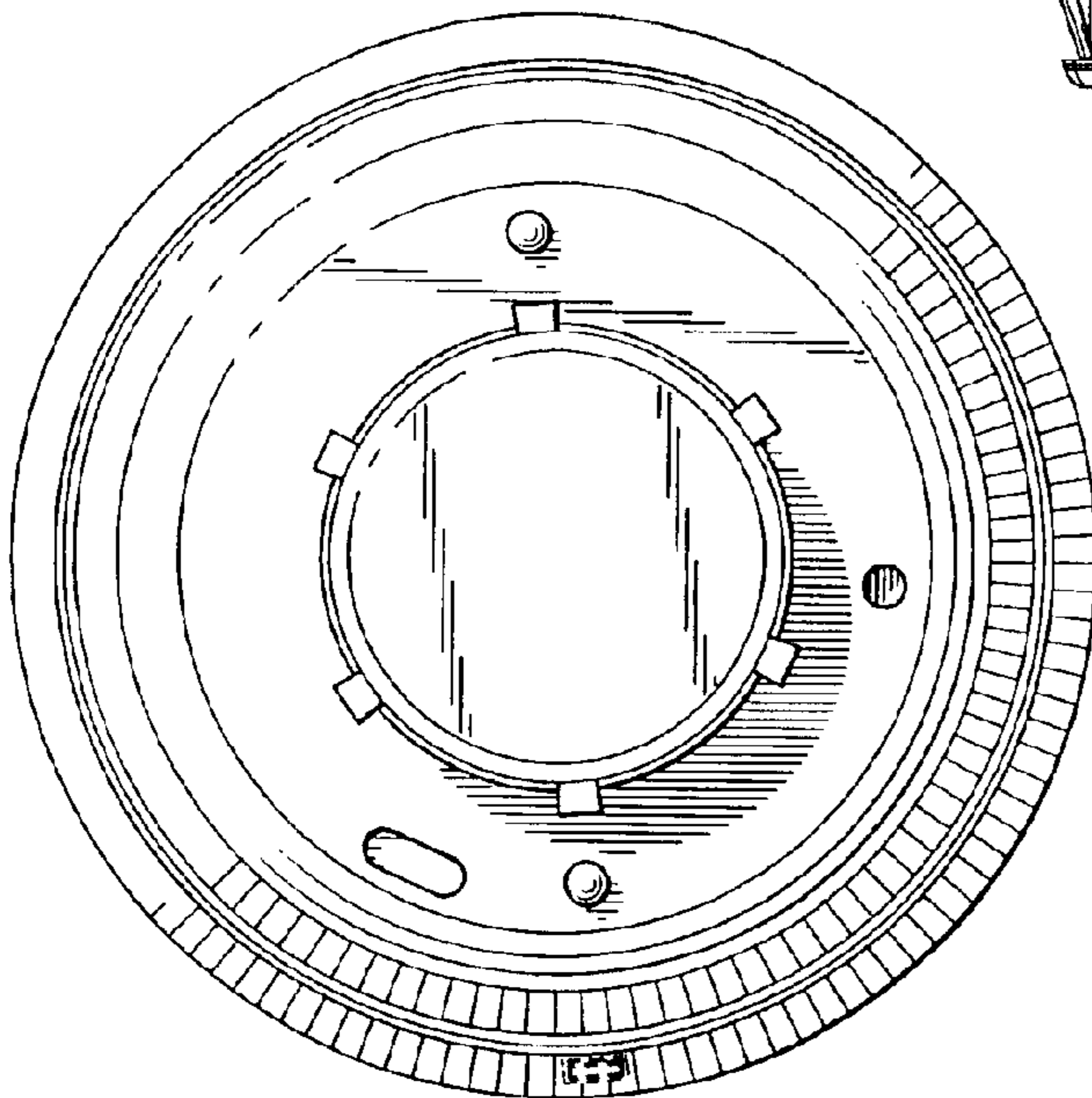


FIG. 12

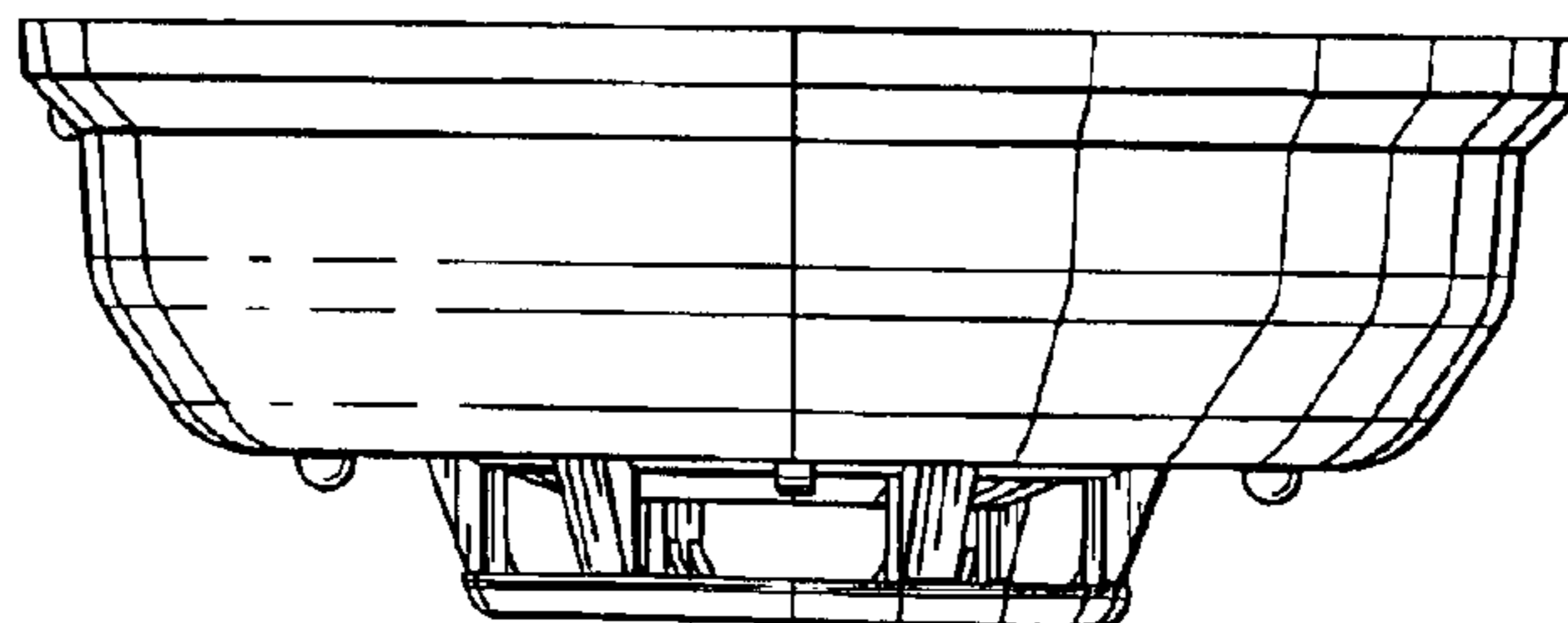


FIG. 13

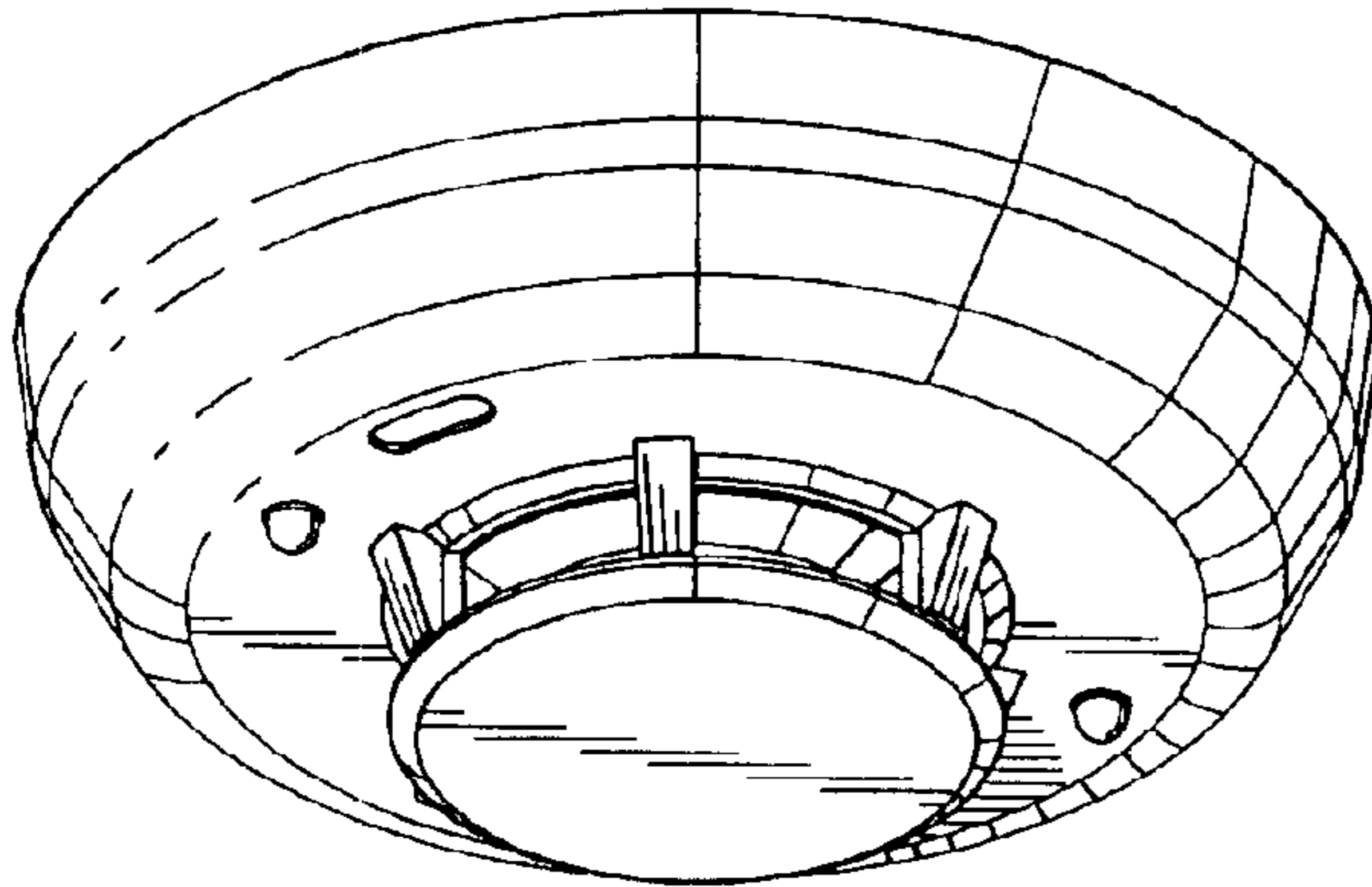


FIG. 14

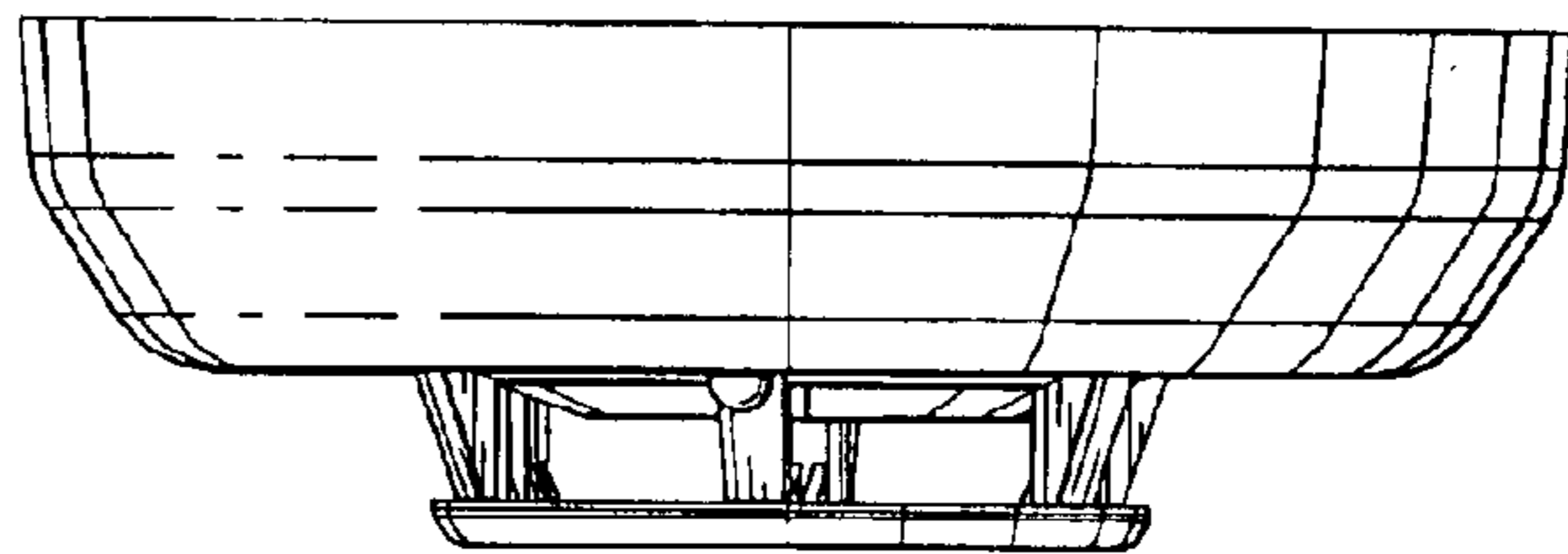


FIG. 15

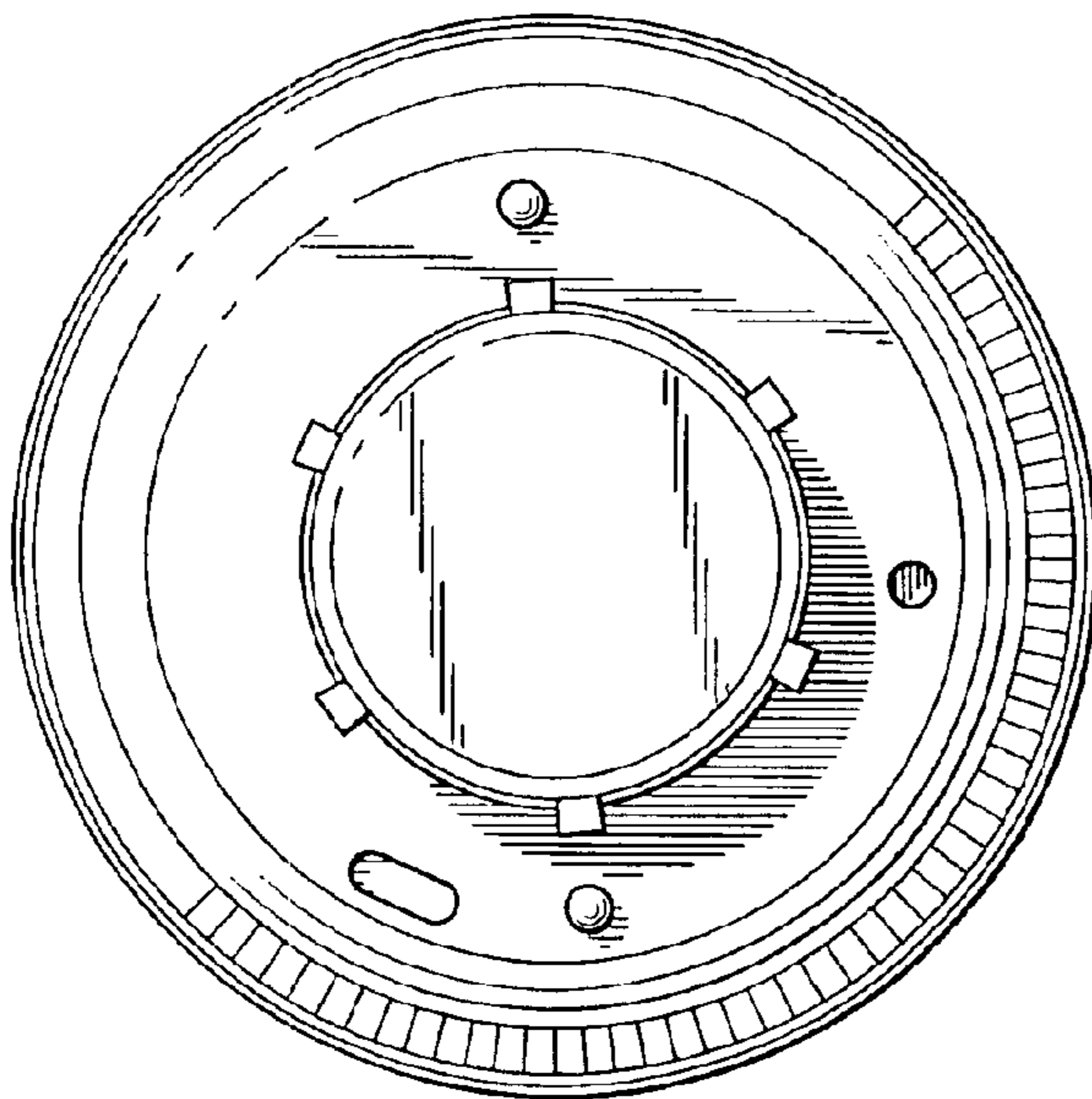


FIG. 16

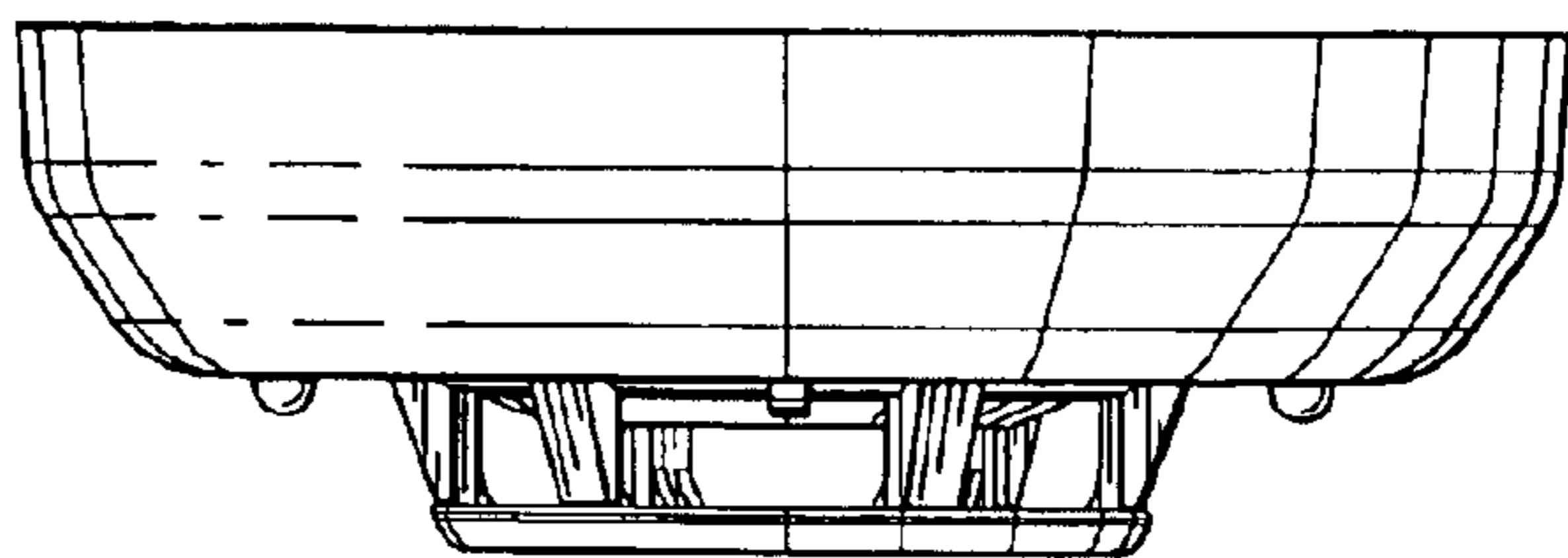


FIG. 17

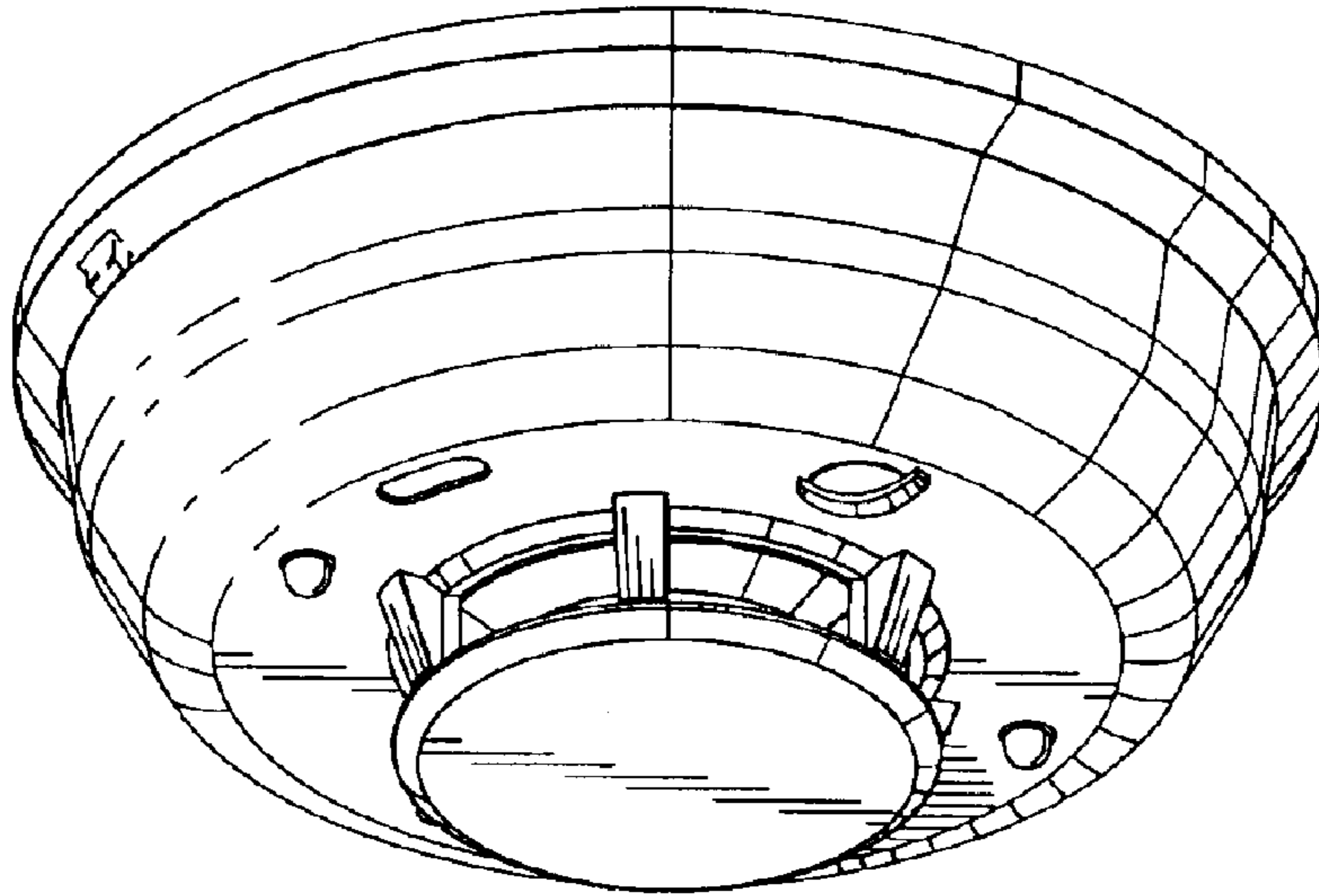


FIG. 18

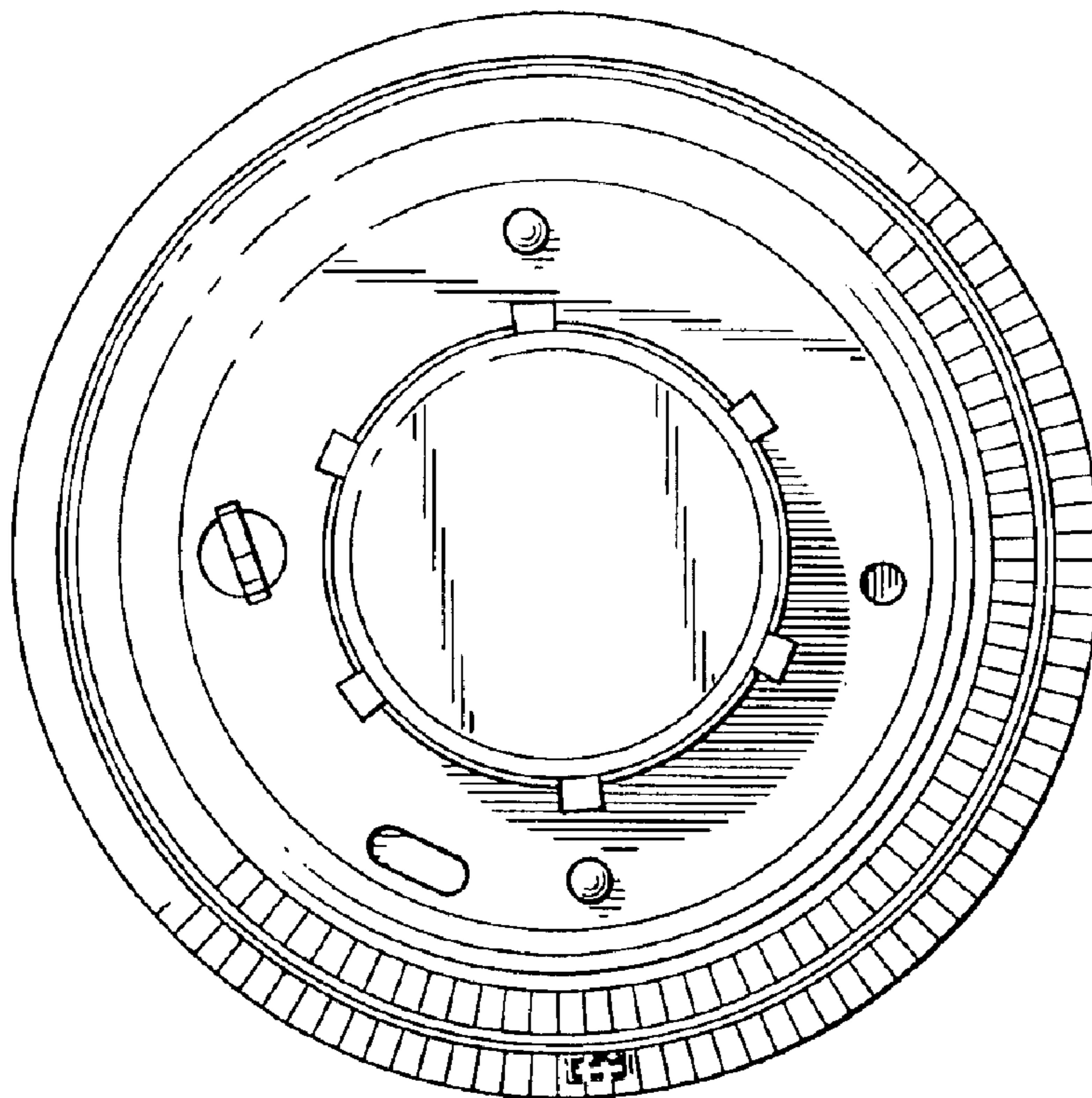


FIG. 19

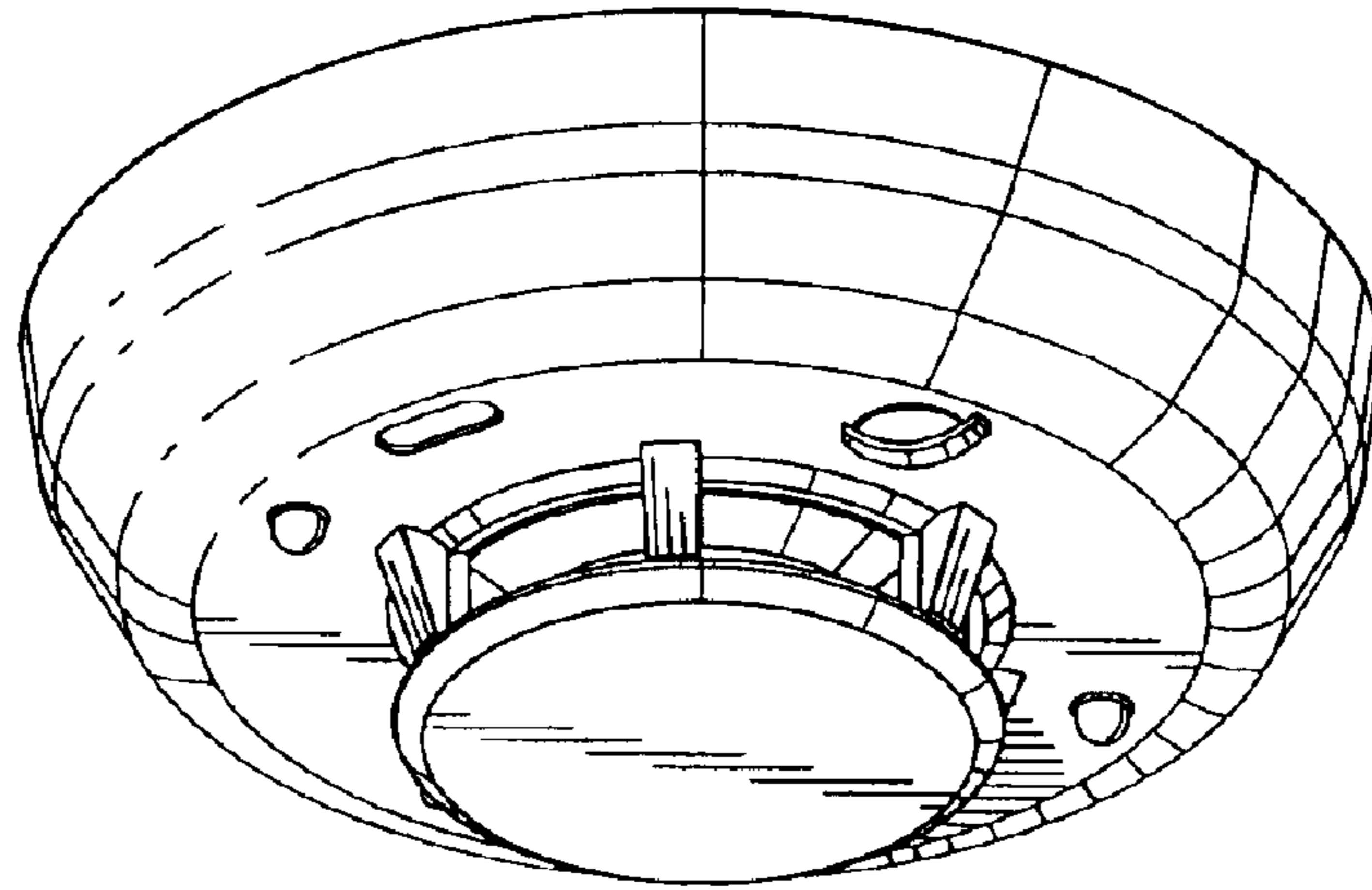


FIG. 20

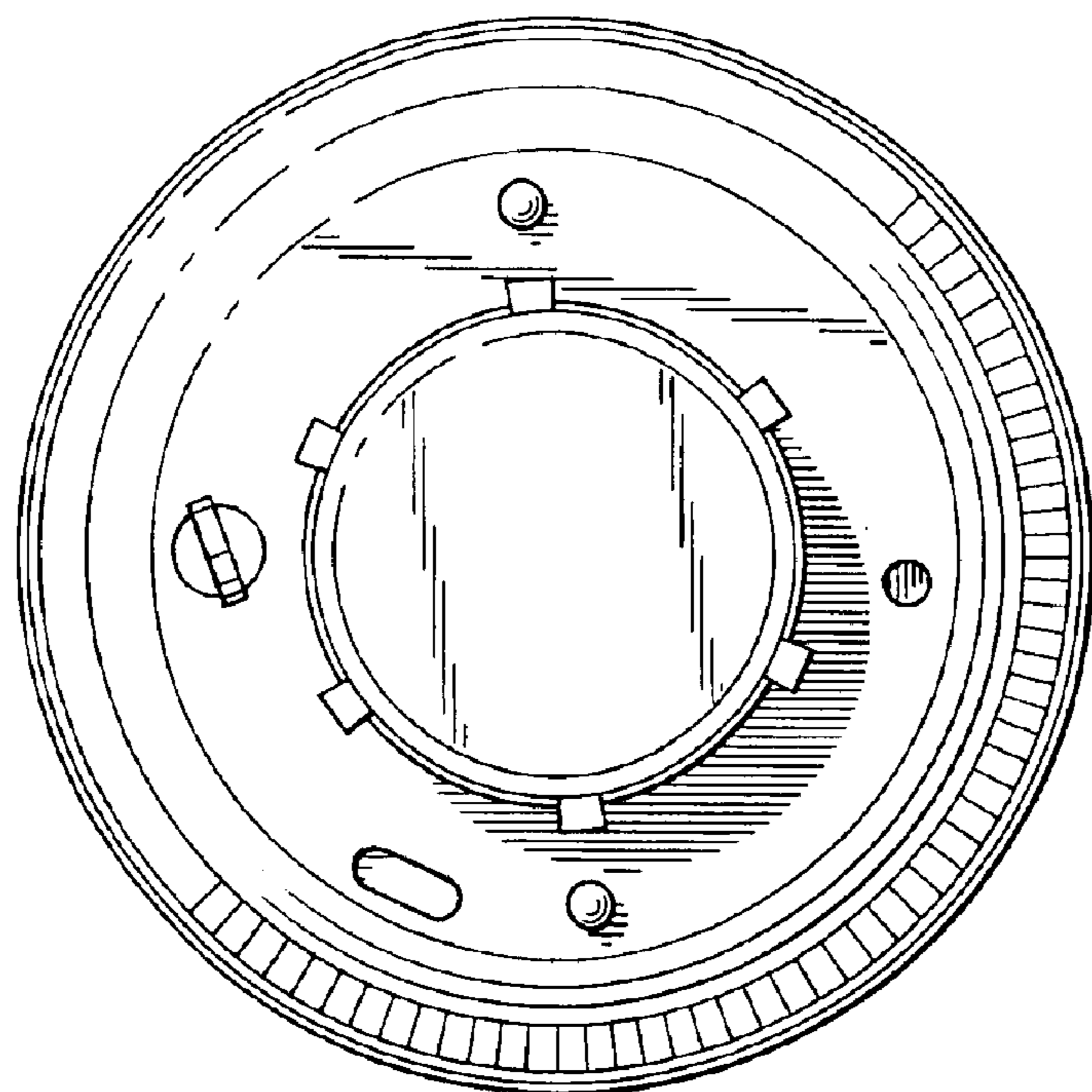


FIG. 21

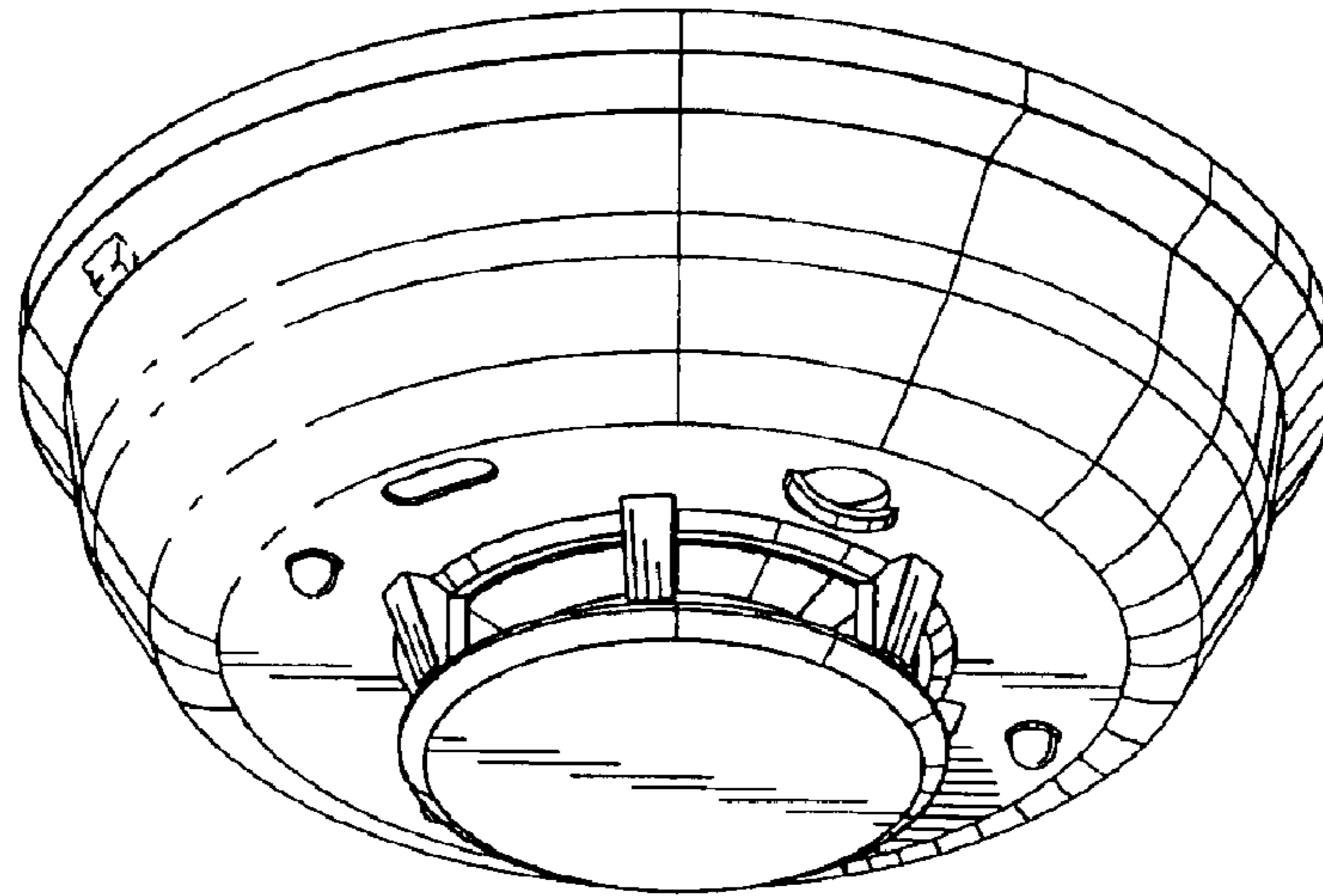


FIG. 22

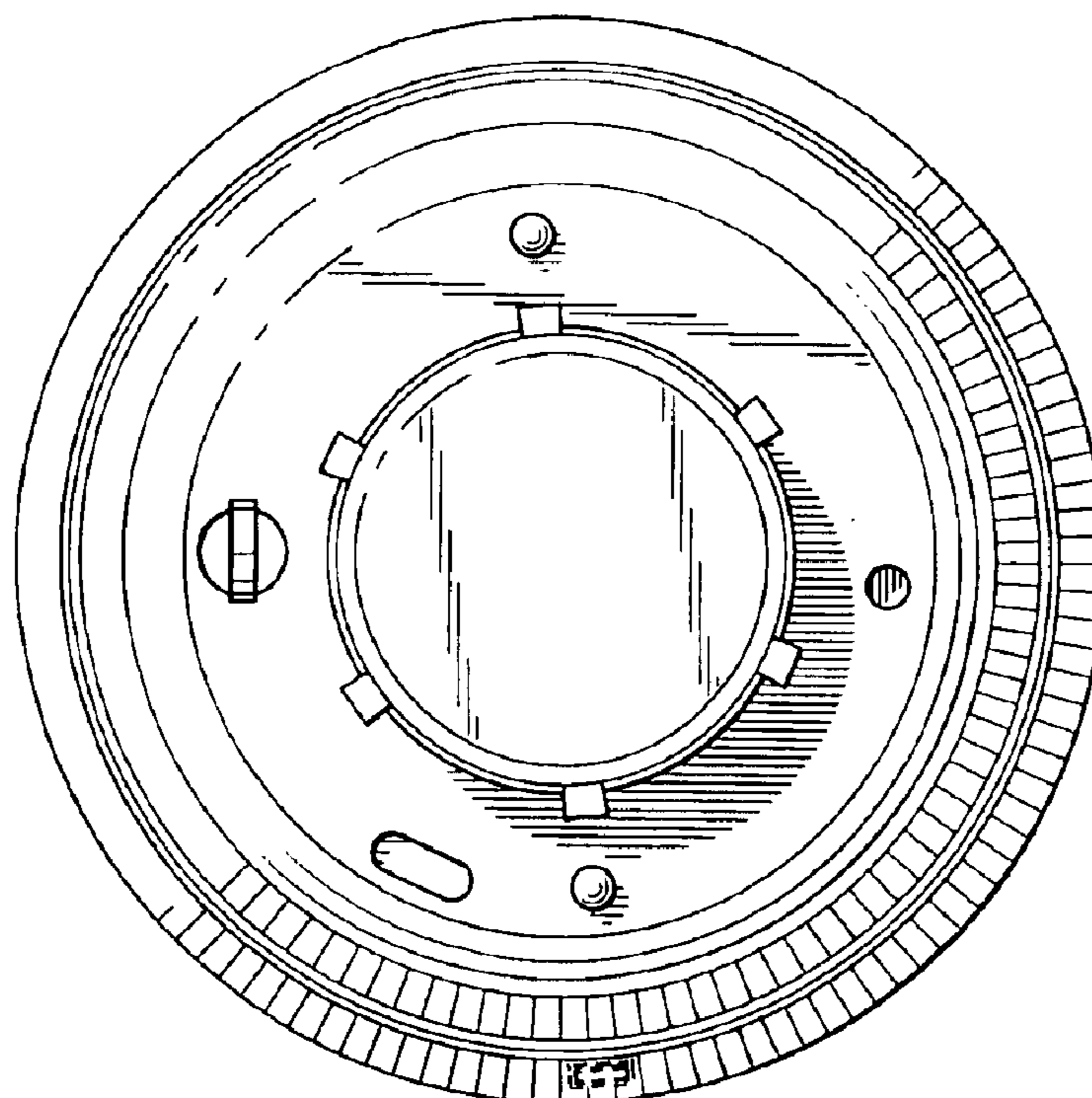


FIG. 23

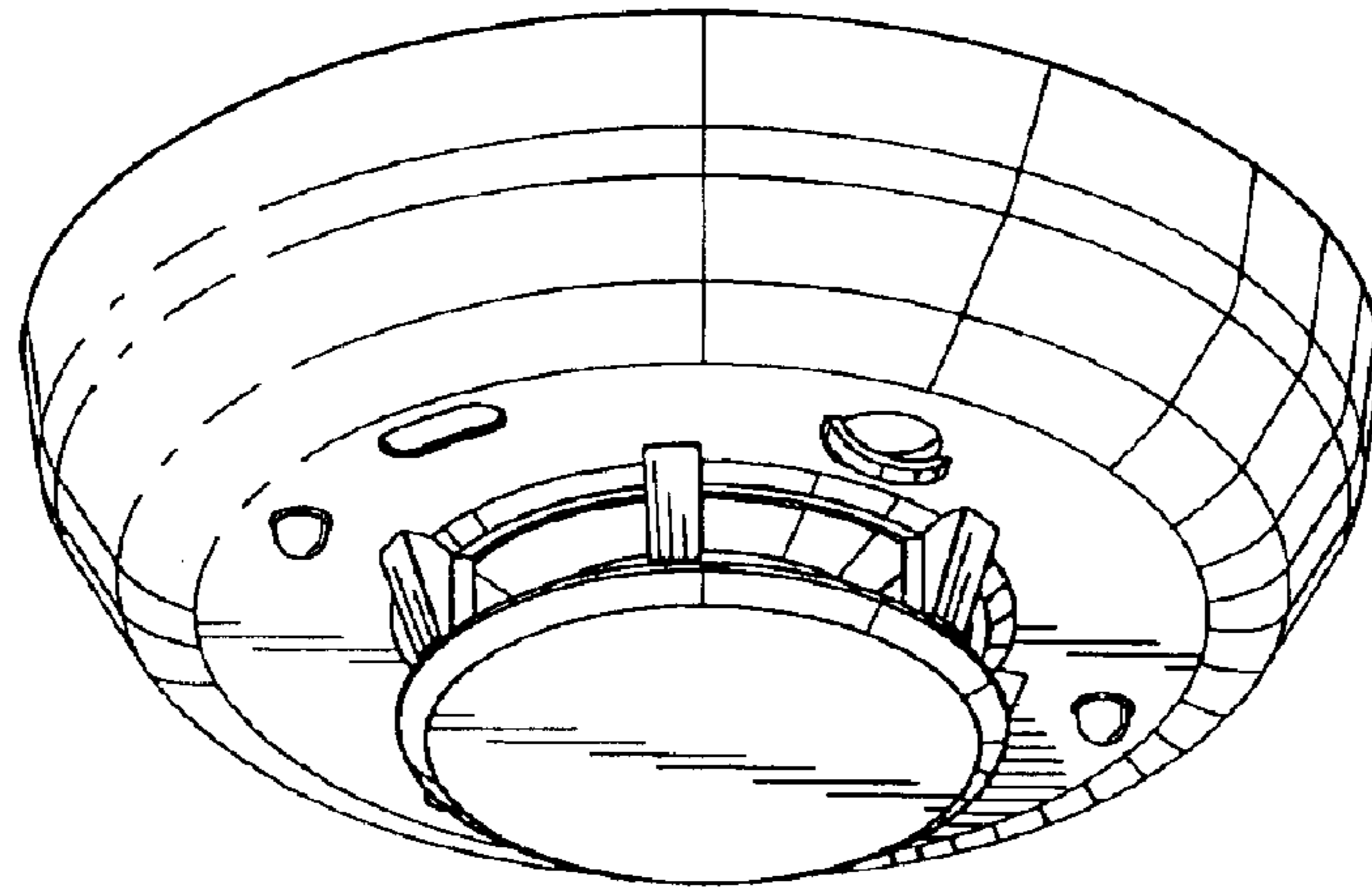


FIG. 24

