

US00D505631S

(12) **United States Design Patent** (10) **Patent No.:** **US D505,631 S**  
**Hicks et al.** (45) **Date of Patent:** **\*\* \*May 31, 2005**

(54) **TEST PADDLE WITH HANDLE**

(75) Inventors: **John Charles Hicks**, Waxahachie, TX (US); **Eddie Bouasry**, Arlington, TX (US)

(73) Assignee: **AVO Multi-Amp Corporation**, Dallas, TX (US)

(\*) Notice: This patent is subject to a terminal disclaimer.

(\*\*) Term: **14 Years**

(21) Appl. No.: **29/169,498**

(22) Filed: **Oct. 21, 2002**

(51) **LOC (7) Cl.** ..... **10-04**

(52) **U.S. Cl.** ..... **D10/78**

(58) **Field of Search** ..... D10/46, 78; 324/418, 324/415, 422, 423, 424, 538, 556; 340/644

(56) **References Cited**

**U.S. PATENT DOCUMENTS**

4,831,560 A \* 5/1989 Zaleski ..... D10/75 X

\* cited by examiner

*Primary Examiner*—Antoine Duval Davis  
(74) *Attorney, Agent, or Firm*—Conley Rose, P.C.; J. Robert Brown, Jr.

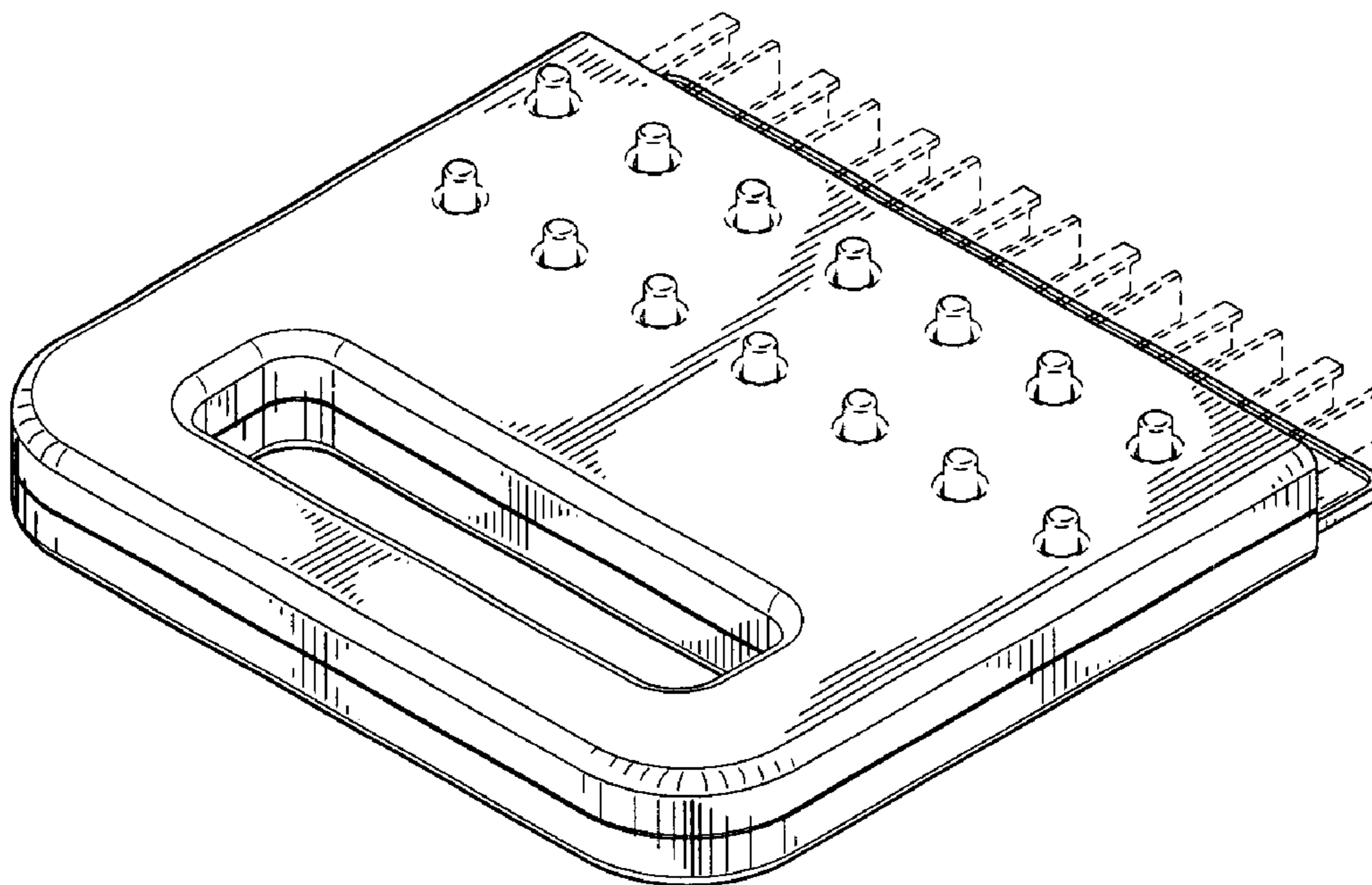
(57) **CLAIM**

The ornamental design for a test paddle with handle, as shown and described.

**DESCRIPTION**

FIG. 1 is a perspective view taken from the top, back-end, and side of a test paddle with handle;  
FIG. 2 is a top, front-end view thereof;  
FIG. 3 is a front view thereof;  
FIG. 4 is a back view thereof;  
FIG. 5 is a side view thereof;  
FIG. 6 is another side view thereof;  
FIG. 7 is a front-end view thereof; and,  
FIG. 8 is a back-end view thereof.  
The broken line showing is for illustrative purposes only and forms no part of the claimed design.

**1 Claim, 3 Drawing Sheets**



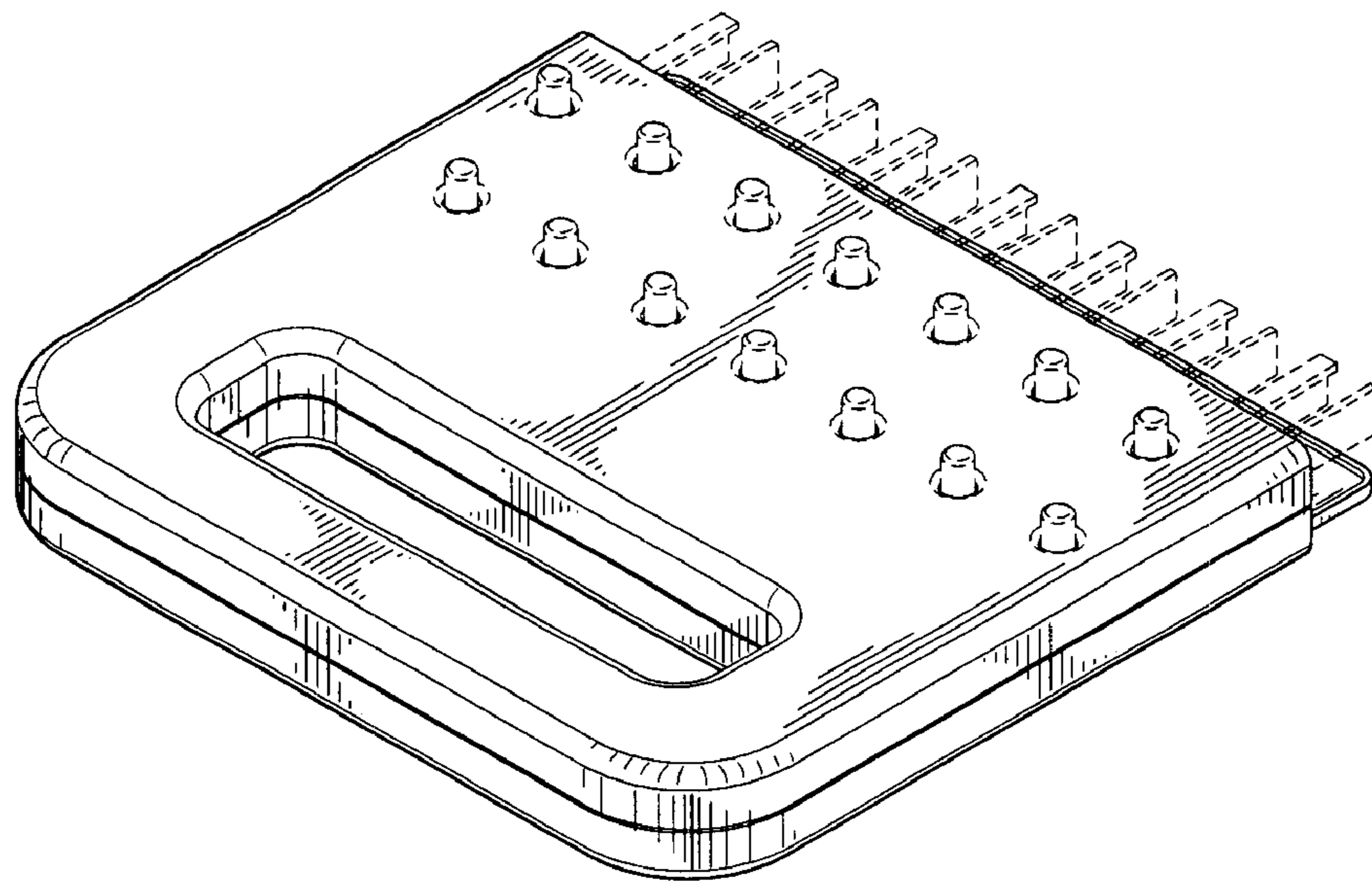


FIG. 1

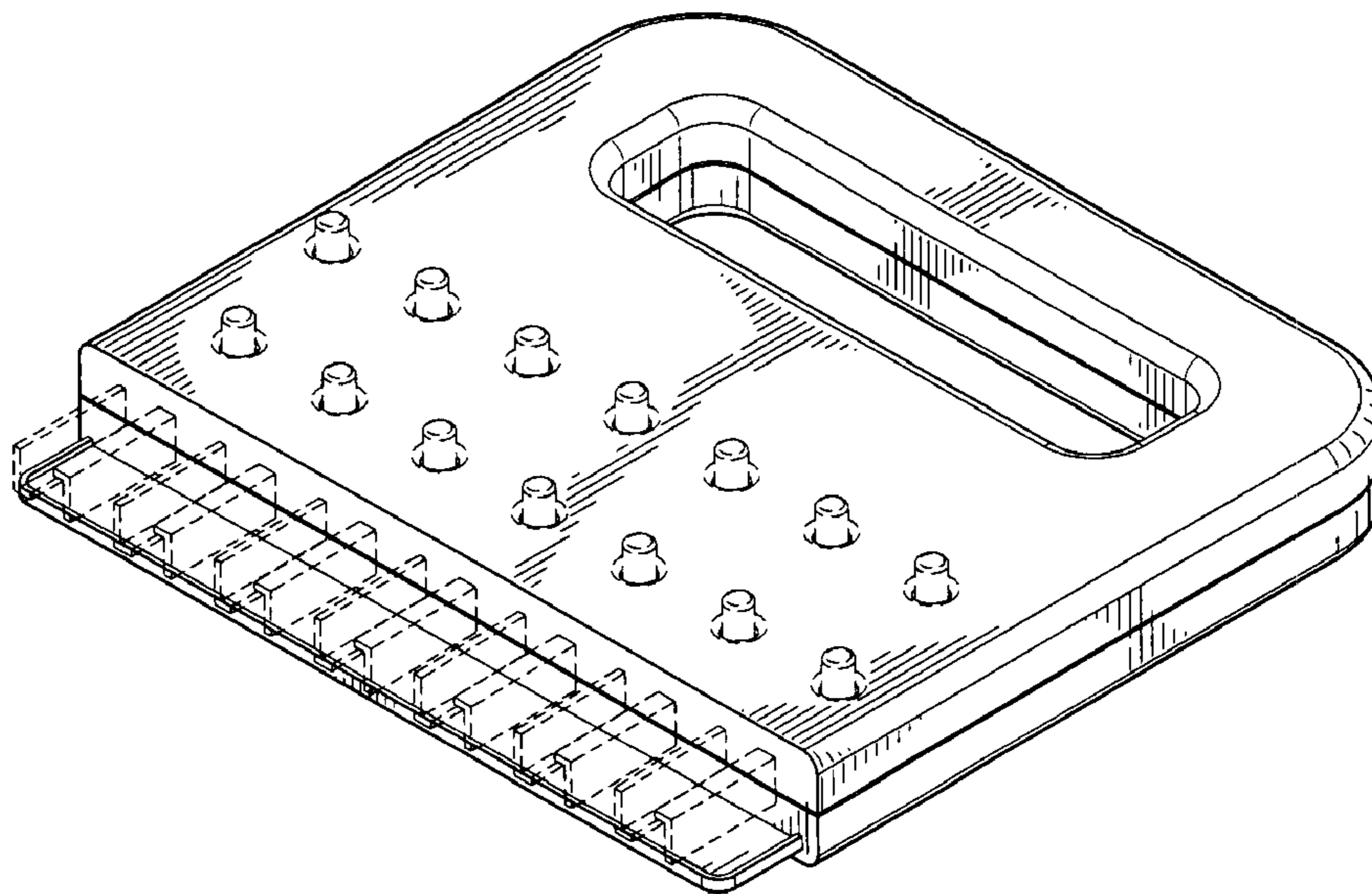


FIG. 2

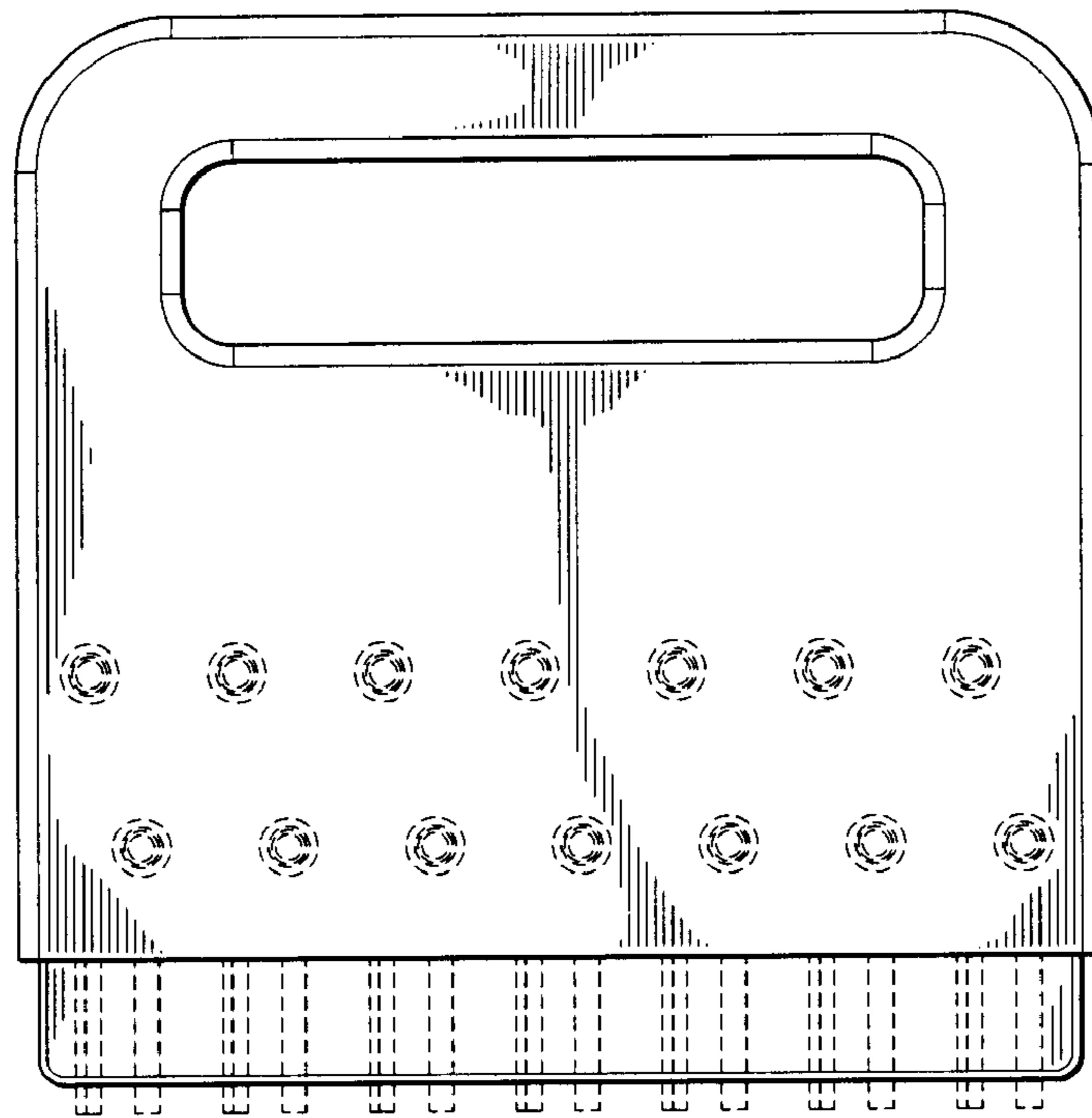


FIG. 3

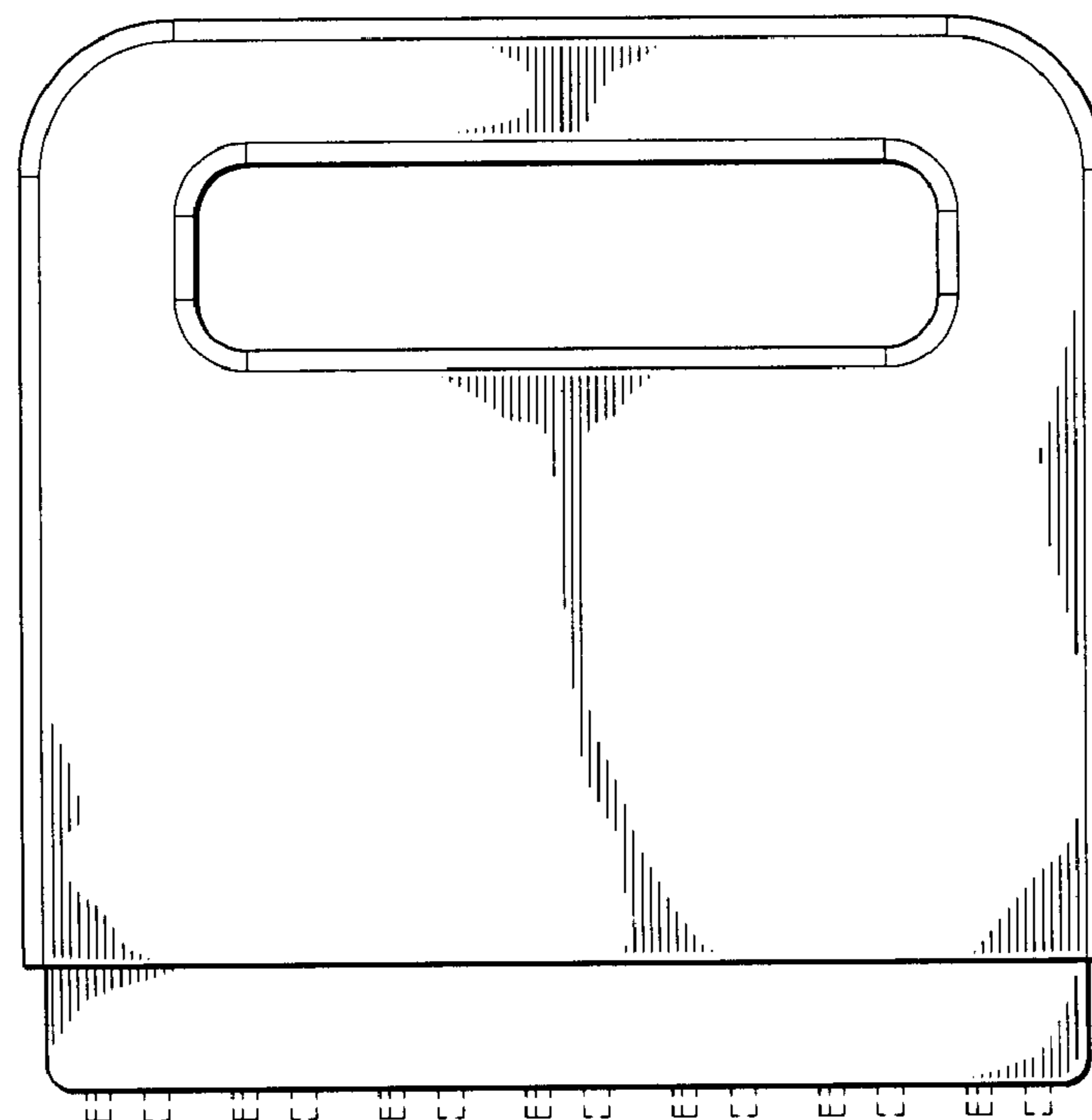


FIG. 4

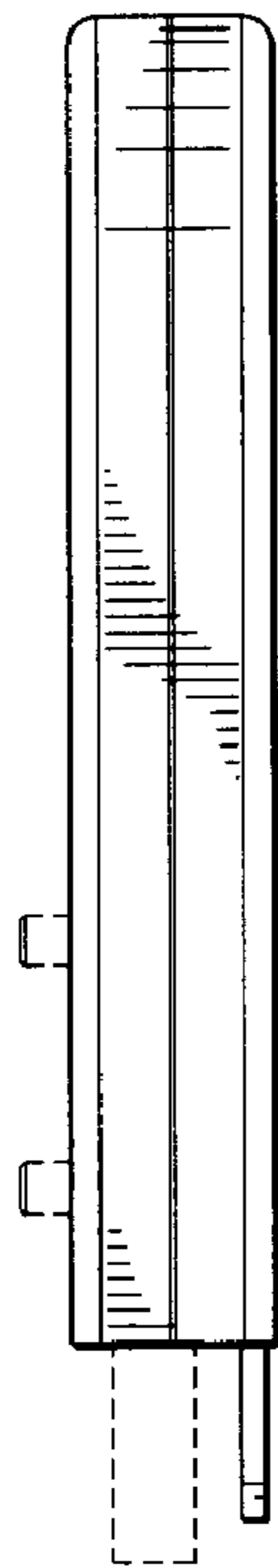


FIG. 5

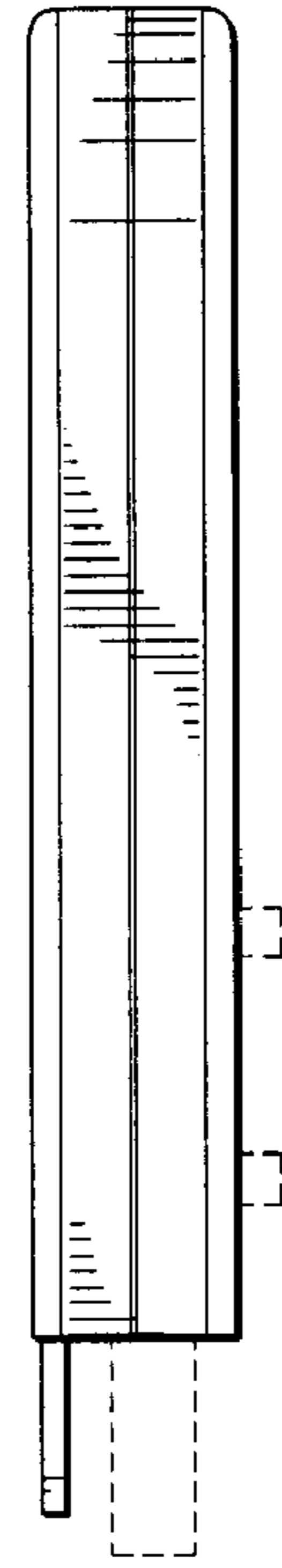


FIG. 6

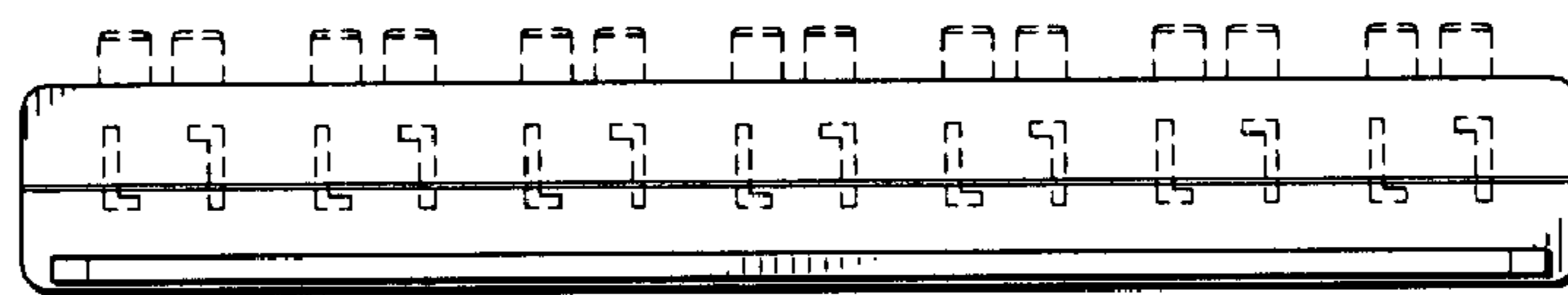


FIG. 7

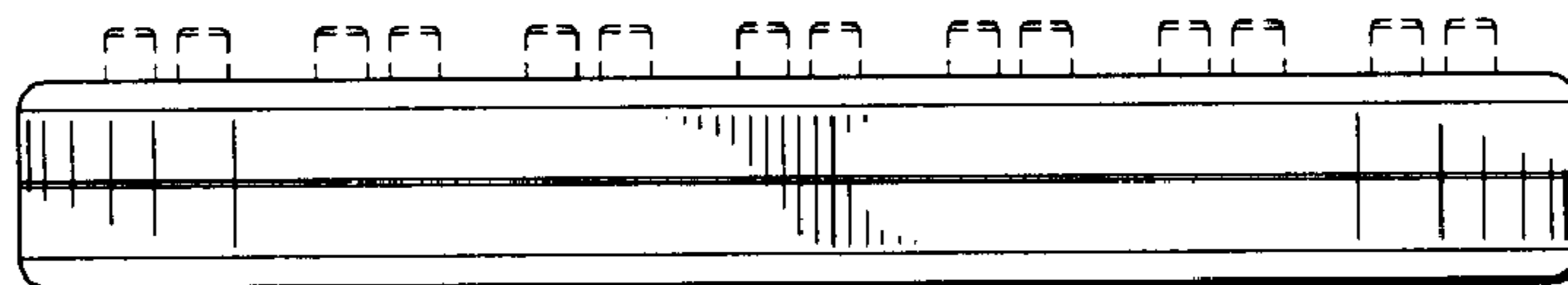


FIG. 8