



US00D505630S

(12) **United States Design Patent**
Snider et al.

(10) **Patent No.:** **US D505,630 S**

(45) **Date of Patent:** **** May 31, 2005**

(54) **SUPPORT ASSEMBLY**

(75) **Inventors:** **G. Scott Snider**, Bel Air, MD (US);
Oleksiy P. Sergyeyenko, Brockville
(CA); **Stefano F. DeCecco**, Ottawa
(CA)

(73) **Assignee:** **Black & Decker Inc.**, Newark, DE
(US)

(**) **Term:** **14 Years**

5,575,073 A	*	11/1996	von Wedemayer	33/365
D396,817 S	*	8/1998	Webb	D10/74
D418,434 S	*	1/2000	Krantz	D10/69
6,137,568 A	*	10/2000	Ohtomo et al.	356/149
6,177,987 B1	*	1/2001	Ting	356/148
6,249,983 B1	*	6/2001	Wright et al.	33/286
D457,446 S	*	5/2002	Kallabis	D10/69
6,427,347 B1	*	8/2002	Butler, Sr.	33/286
D469,369 S	*	1/2003	Durkin	D10/69
D479,979 S	*	9/2003	Kovacik et al.	D8/358
D491,080 S	*	6/2004	Wu	D10/69

OTHER PUBLICATIONS

Popular Mecahnics.com http://popularmechanics.com/home_improvement/tools/2004/8/bd_laser_levels/ Dec. 9, 2004.*

* cited by examiner

Primary Examiner—Jeffrey Asch
Assistant Examiner—Austin Murphy
(74) *Attorney, Agent, or Firm*—Wesley W. Muller

(21) **Appl. No.:** **29/210,970**

(22) **Filed:** **Aug. 9, 2004**

(51) **LOC (7) Cl.** **10-04**

(52) **U.S. Cl.** **D10/74; D10/69**

(58) **Field of Search** D8/358, 359, 354;
D10/74, 69, 66, 62; 33/290, 286, 293, 365;
242/377, 378; 248/186.1, 676; 356/139.8,
3, 149, 148, 142; 219/121.78

(57) **CLAIM**

The ornamental design for a support assembly, as shown and described.

(56) **References Cited**

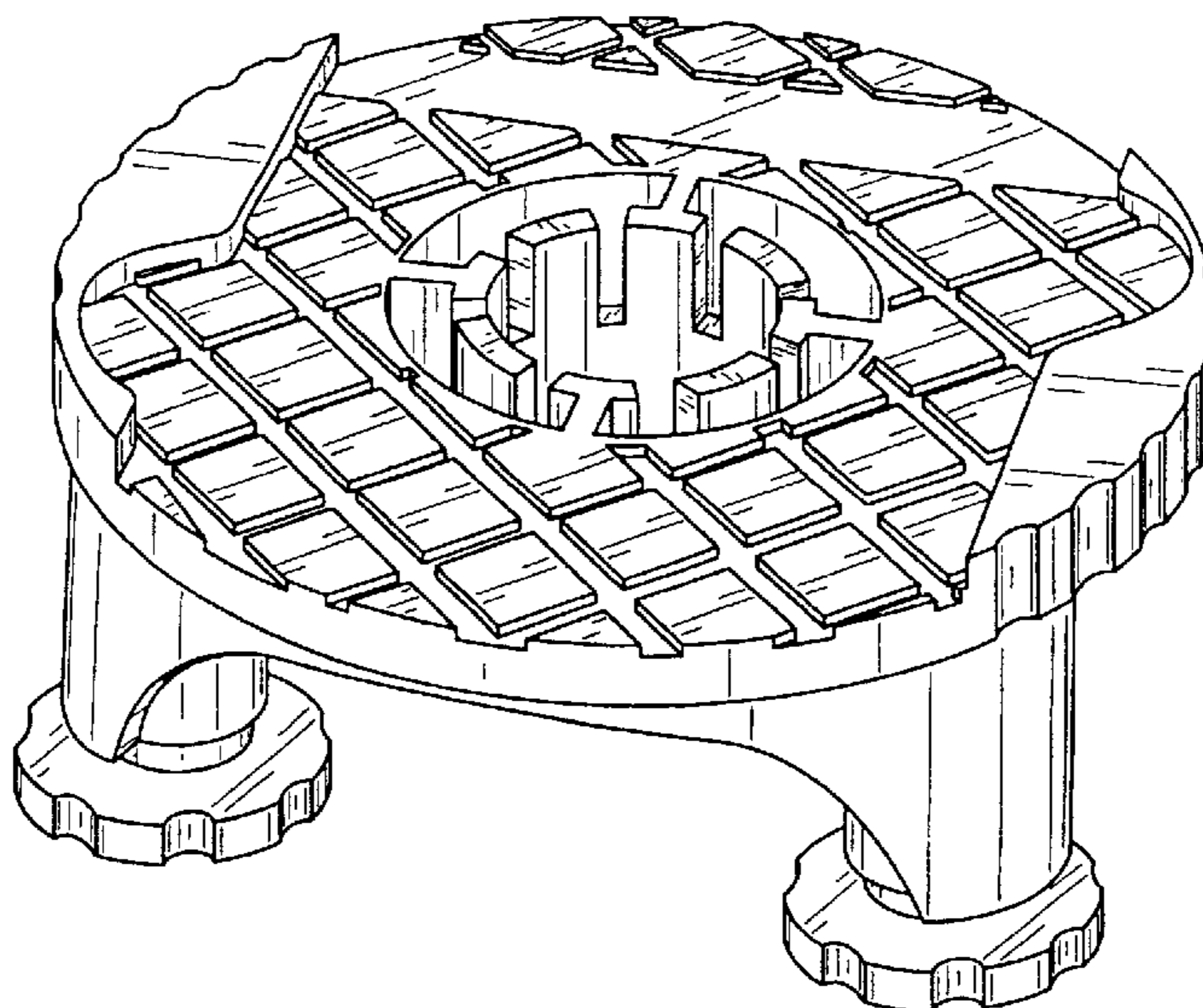
U.S. PATENT DOCUMENTS

D98,683 S	*	2/1936	Langsner	D10/74
D189,212 S	*	11/1960	Davis	D10/66
3,435,532 A	*	4/1969	Brasier	33/645
3,604,371 A	*	9/1971	Cavalucci	108/156
4,035,084 A	*	7/1977	Ramsay	356/139.08
4,088,291 A	*	5/1978	Delaplaine et al.	248/186.1
4,629,321 A	*	12/1986	Hart et al.	356/248
4,948,086 A	*	8/1990	Buol et al.	248/676
D311,145 S	*	10/1990	Hayashi	D10/66
4,964,218 A	*	10/1990	Morghen	33/293
5,208,438 A	*	5/1993	Underberg	219/121.78
D348,227 S	*	6/1994	Nielsen et al.	D10/69
5,501,018 A	*	3/1996	Porter	33/290
5,572,797 A	*	11/1996	Chase	33/286

DESCRIPTION

FIG. 1 is a perspective view of a support assembly according to the invention.
FIG. 2 is a front elevational view thereof.
FIG. 3 is a rear elevational view thereof.
FIG. 4 is a left elevational view thereof.
FIG. 5 is a right elevational view thereof.
FIG. 6 is a top plan view thereof; and,
FIG. 7 is a bottom plan view thereof.

1 Claim, 7 Drawing Sheets



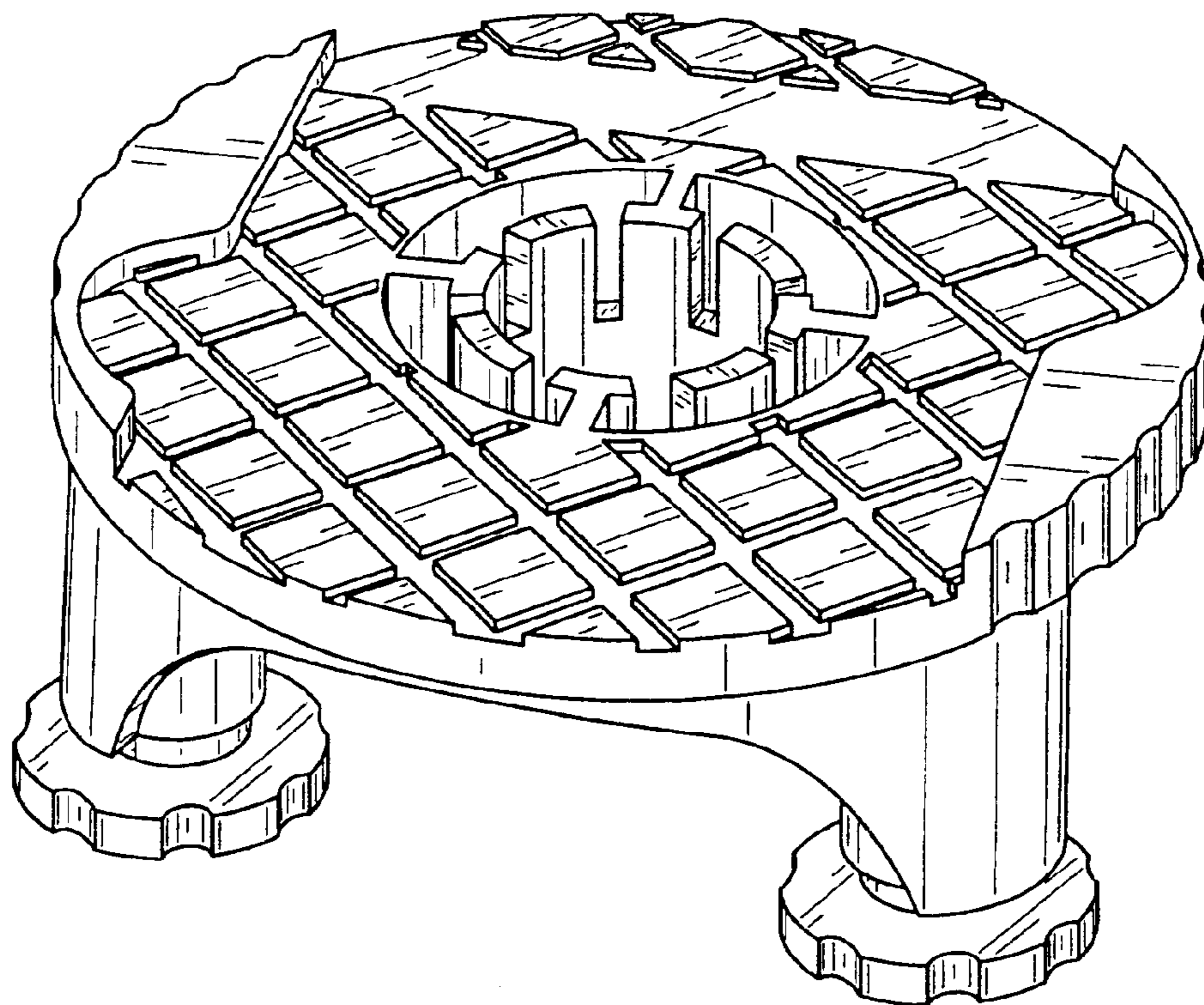


FIG. 1

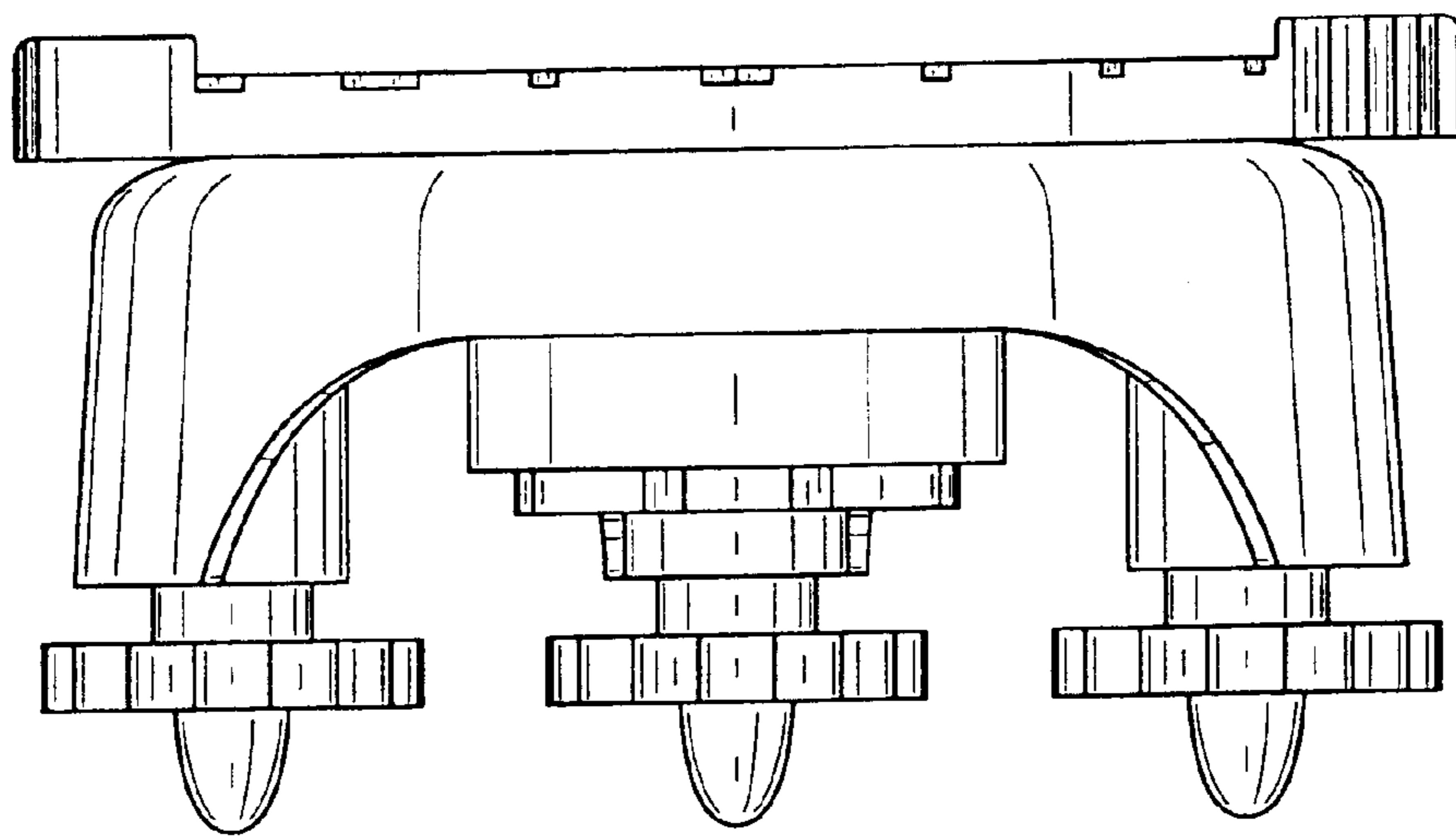


FIG. 2

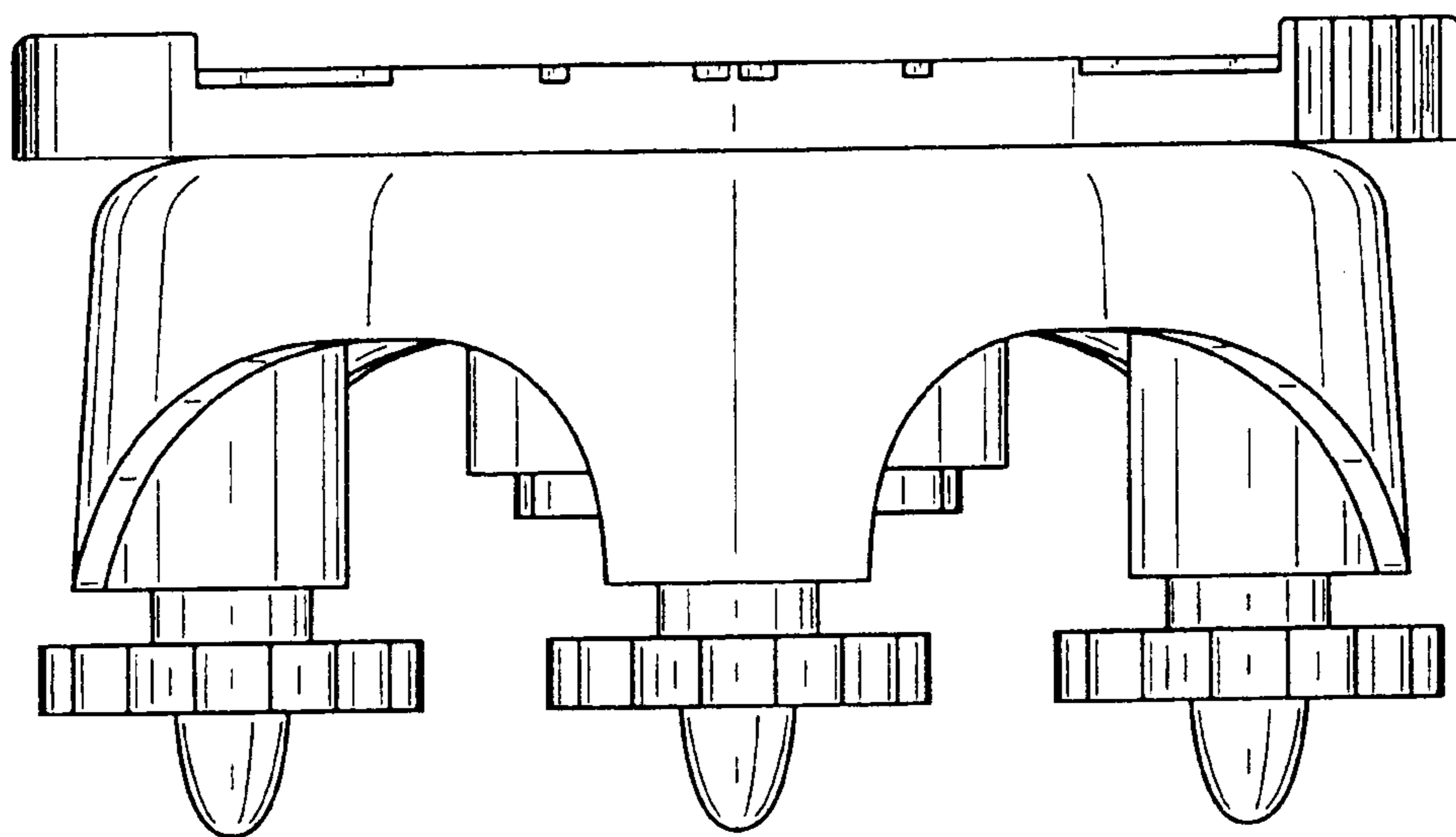


FIG. 3

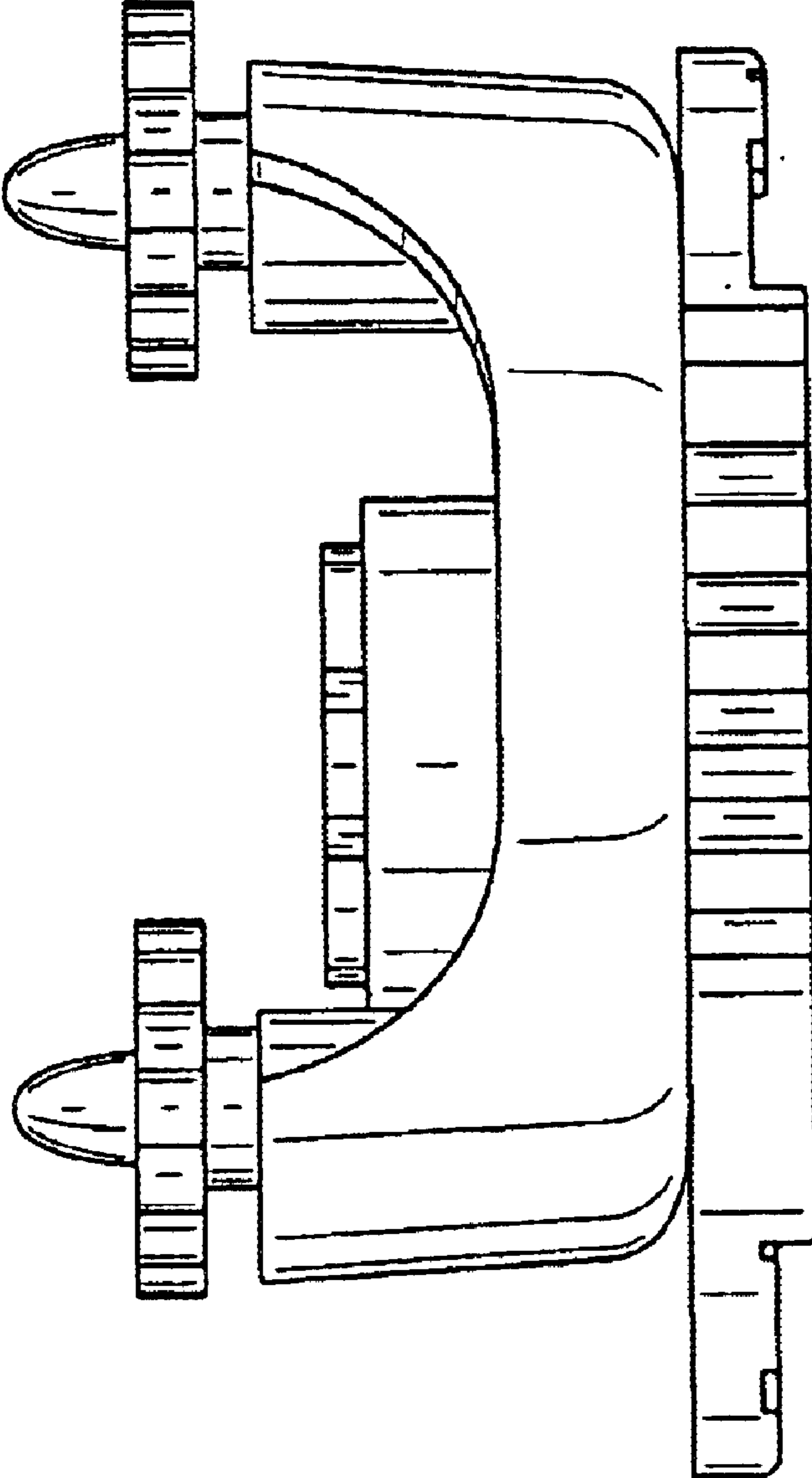


FIG. 4



FIG. 5

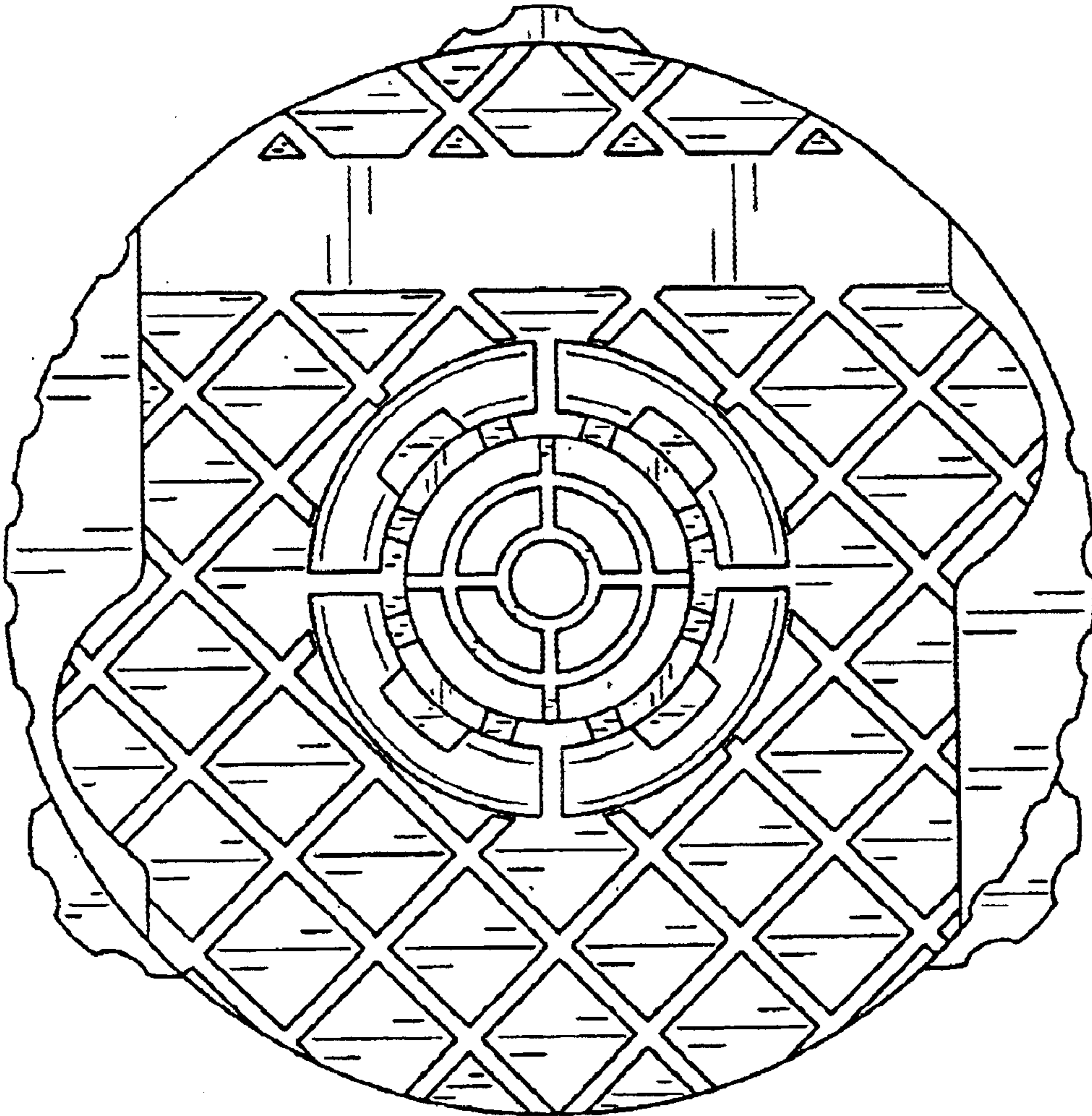


FIG. 6

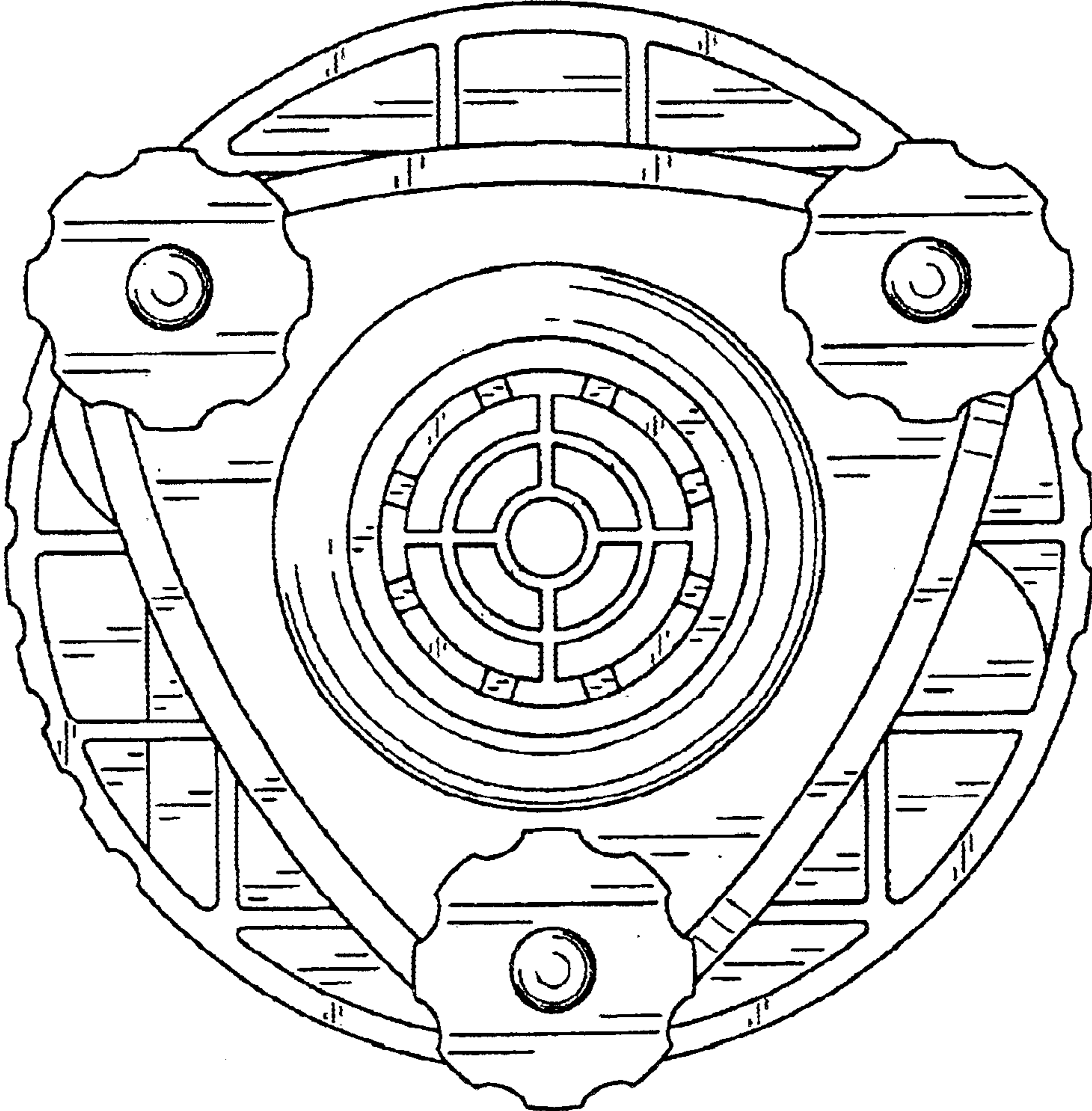


FIG. 7