

US00D505625S

(12) **United States Design Patent**
Servaux et al.

(10) **Patent No.: US D505,625 S**
(45) **Date of Patent: ** May 31, 2005**

- (54) **DECORATIVE JAR**
- (75) Inventors: **Jean Servaux**, deceased, late of La Tour-de-Peilz (CH); by **Chantal Servaux**, legal representative, Dole (FR)
- (73) Assignee: **Societe des Produits Nestle S.A.**, Vevey (CH)
- (**) Term: **14 Years**
- (21) Appl. No.: **29/165,810**
- (22) Filed: **Aug. 15, 2002**
- (30) **Foreign Application Priority Data**
Feb. 15, 2002 (WO) DM/059654
- (51) **LOC (7) Cl.** **09-01**
- (52) **U.S. Cl.** **D9/560; D9/572**
- (58) **Field of Search** D9/516, 544, 546, 575; 215/382-384, 396, 398, 400, 12.1-12.2; D19/83, 93; D27/102, 183; D28/4, 76, 83, 91

- D96,030 S * 6/1935 Gage et al. D9/560
- D98,958 S 3/1936 Piazzoli
- 2,184,994 A * 12/1939 Dyke 131/235.1
- D133,636 S * 9/1942 McIntosh D9/318
- D137,328 S 2/1944 Stroh
- D171,516 S * 2/1954 Otto D9/560
- D214,663 S 7/1969 Brickey, Jr.
- D234,915 S * 4/1975 Freedman et al. D9/572
- D262,518 S * 1/1982 Cottrell D9/560 X
- D270,331 S * 8/1983 Benson D9/560 X
- D300,672 S * 4/1989 Seymour et al. D27/102
- D320,554 S 10/1991 Van Dine et al.
- D330,222 S * 10/1992 Suxdorf D19/93
- D345,920 S 4/1994 Gobe
- D371,970 S * 7/1996 Desgrippes D9/573

* cited by examiner

Primary Examiner—Carol Rademaker
(74) *Attorney, Agent, or Firm*—Denton L. Anderson; Sheldon & Mak

(57) **CLAIM**

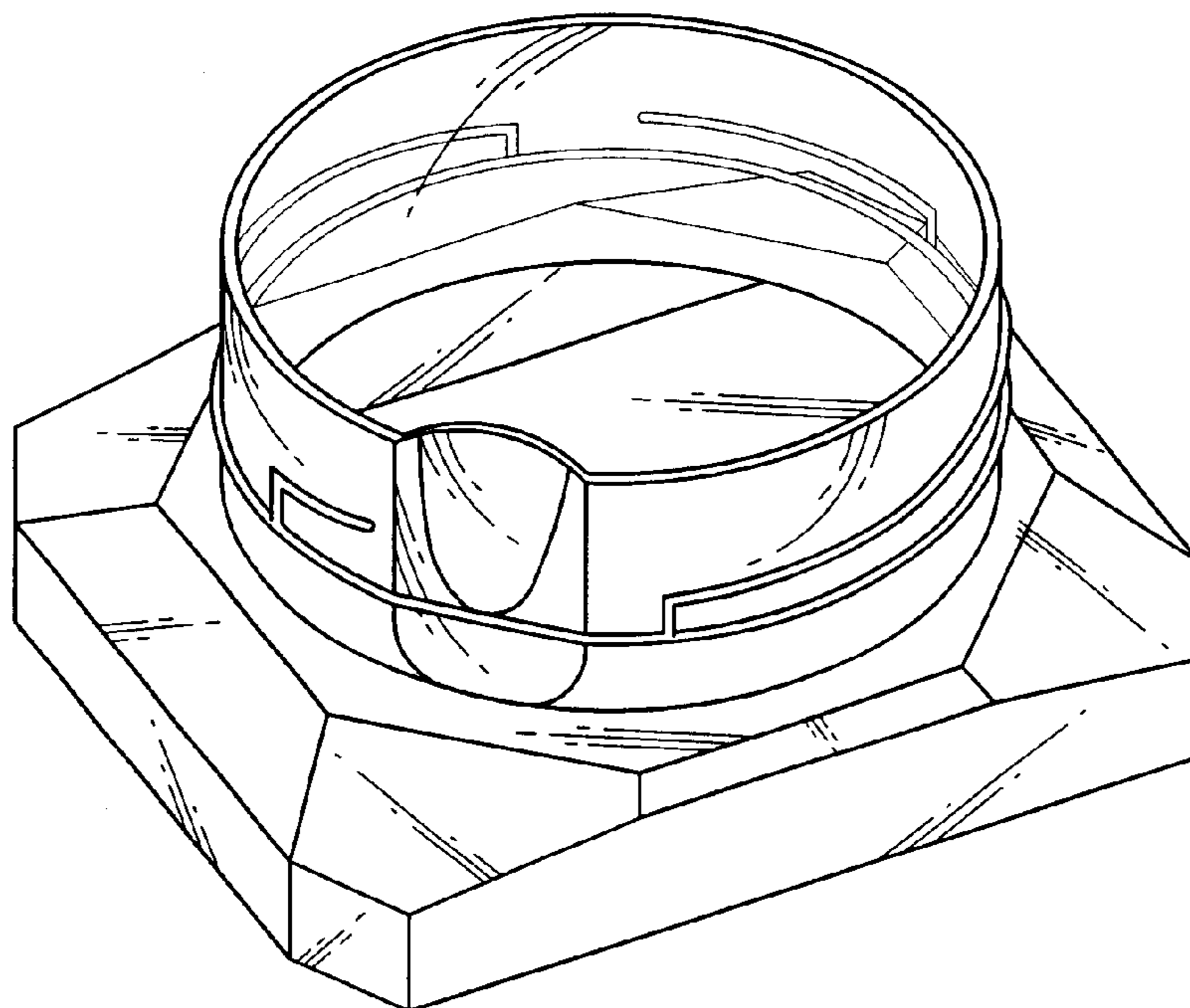
The ornamental design for a decorative jar, as shown and described.

DESCRIPTION

FIG. 1 is a top, front and left side perspective view of the decorative jar of the invention;
FIG. 2 is a front elevation view thereof;
FIG. 3 is a rear elevation view thereof;
FIG. 4 is a right side elevational view thereof;
FIG. 5 is a left side elevational view thereof;
FIG. 6 is a top plan view thereof; and,
FIG. 7 is a bottom plan view thereof.

1 Claim, 2 Drawing Sheets

- (56) **References Cited**
U.S. PATENT DOCUMENTS
D6,528 S * 3/1873 Muller D9/560
D37,504 S * 8/1905 Ashley D19/93
D38,102 S * 6/1906 Numan D19/93 X
D40,012 S * 5/1909 Numan D19/79
D86,408 S 3/1932 Piazzoli
D87,681 S 8/1932 Petty



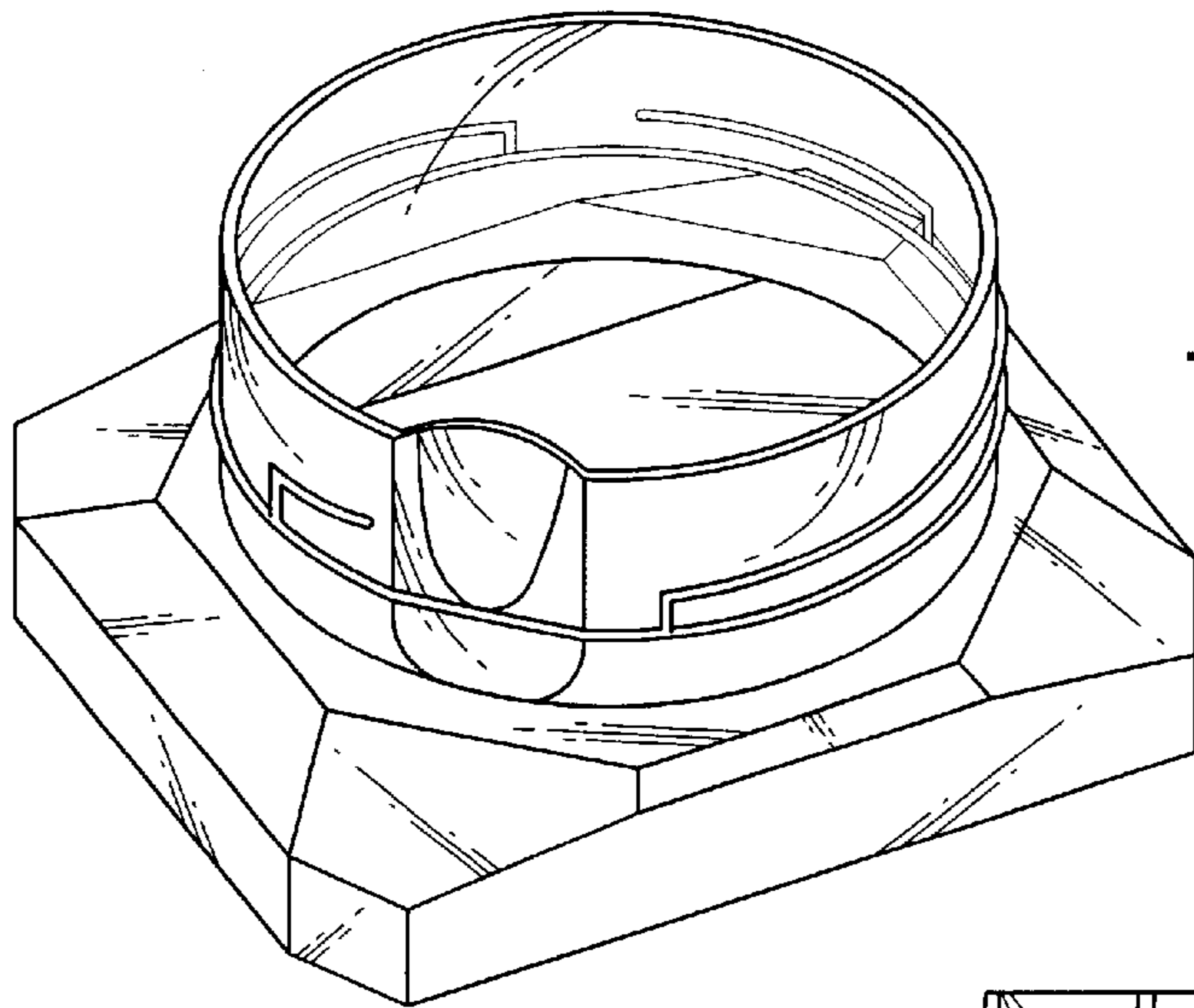


FIG. 1

FIG. 2

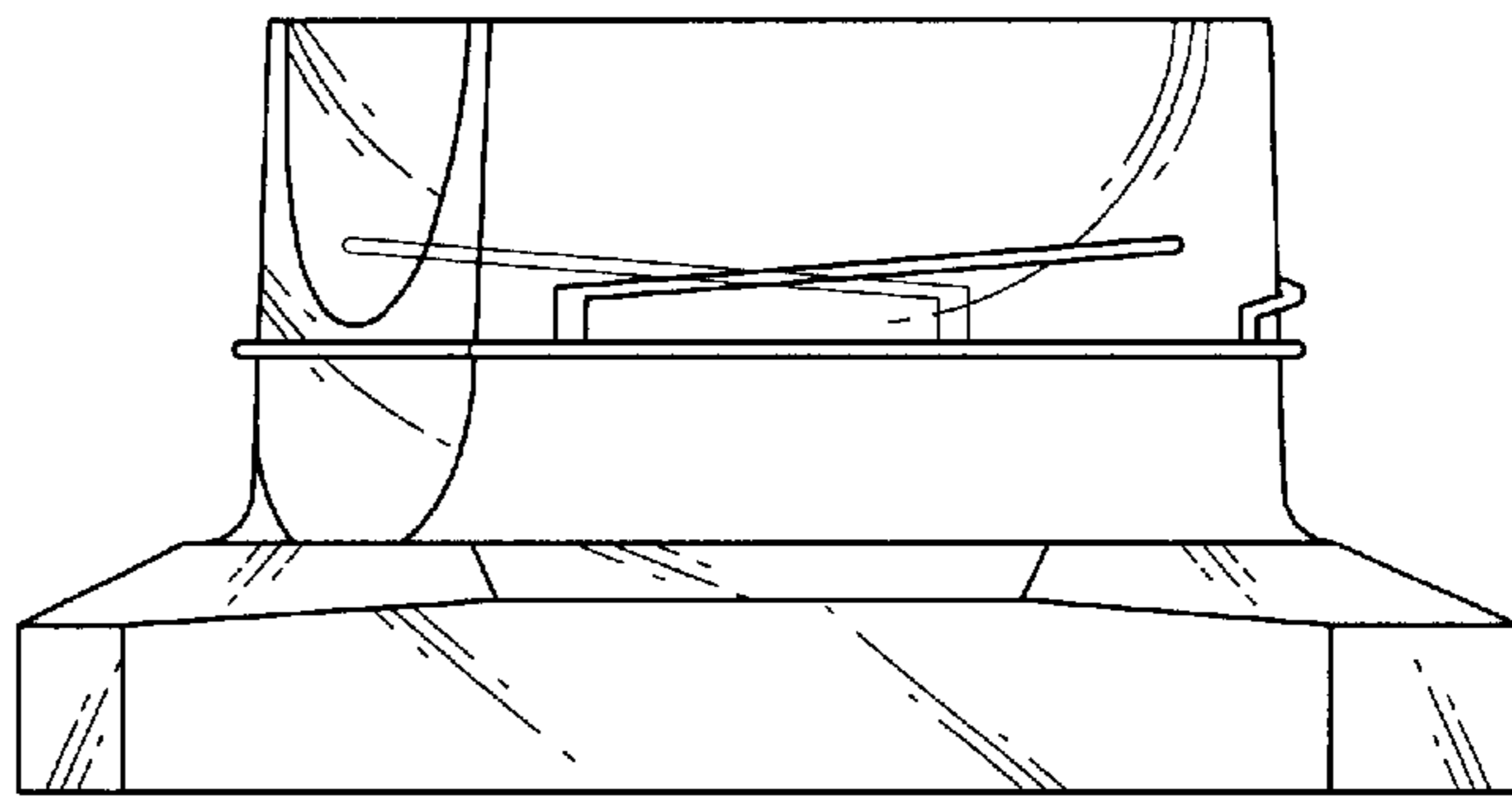


FIG. 3

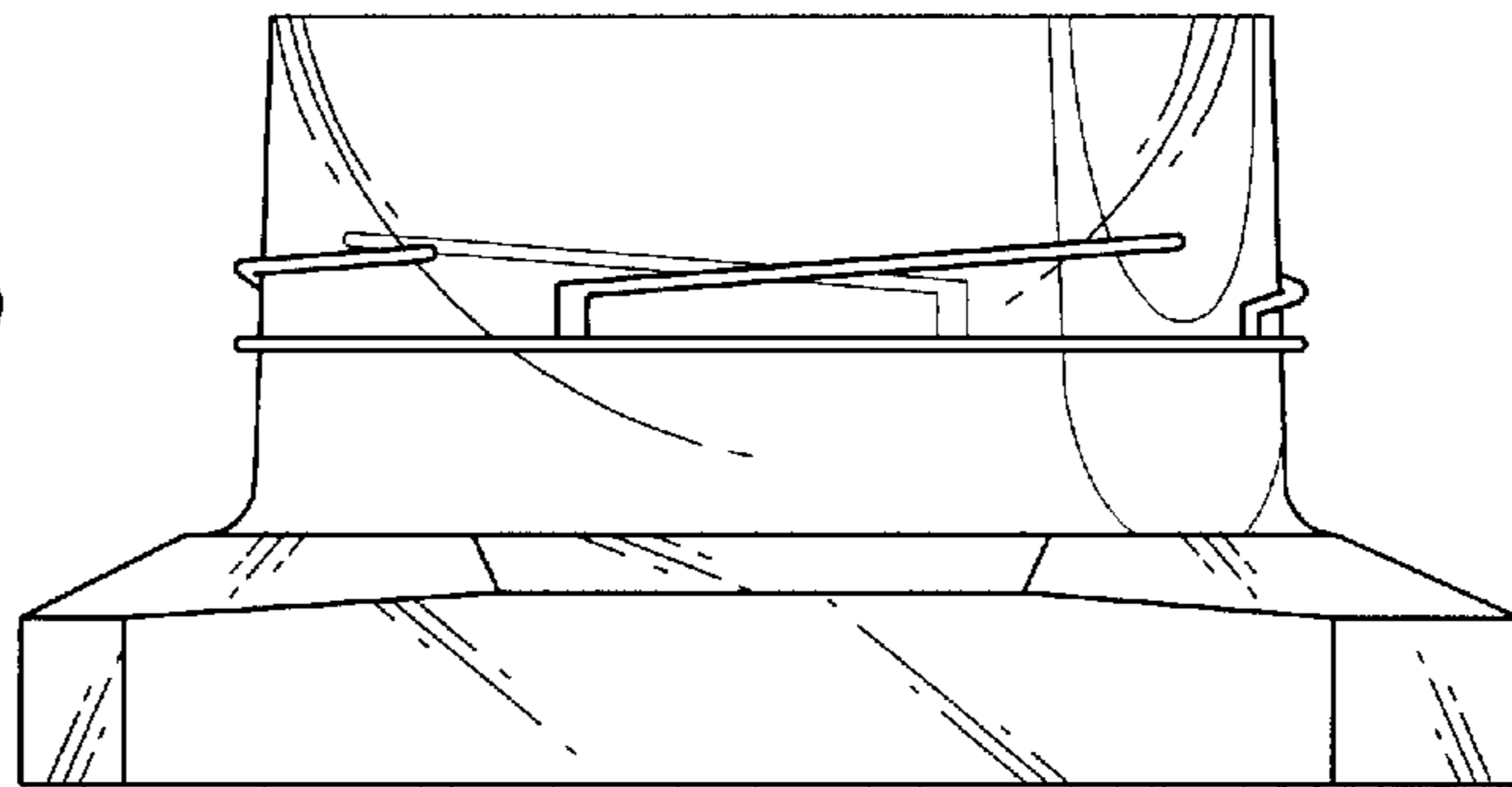
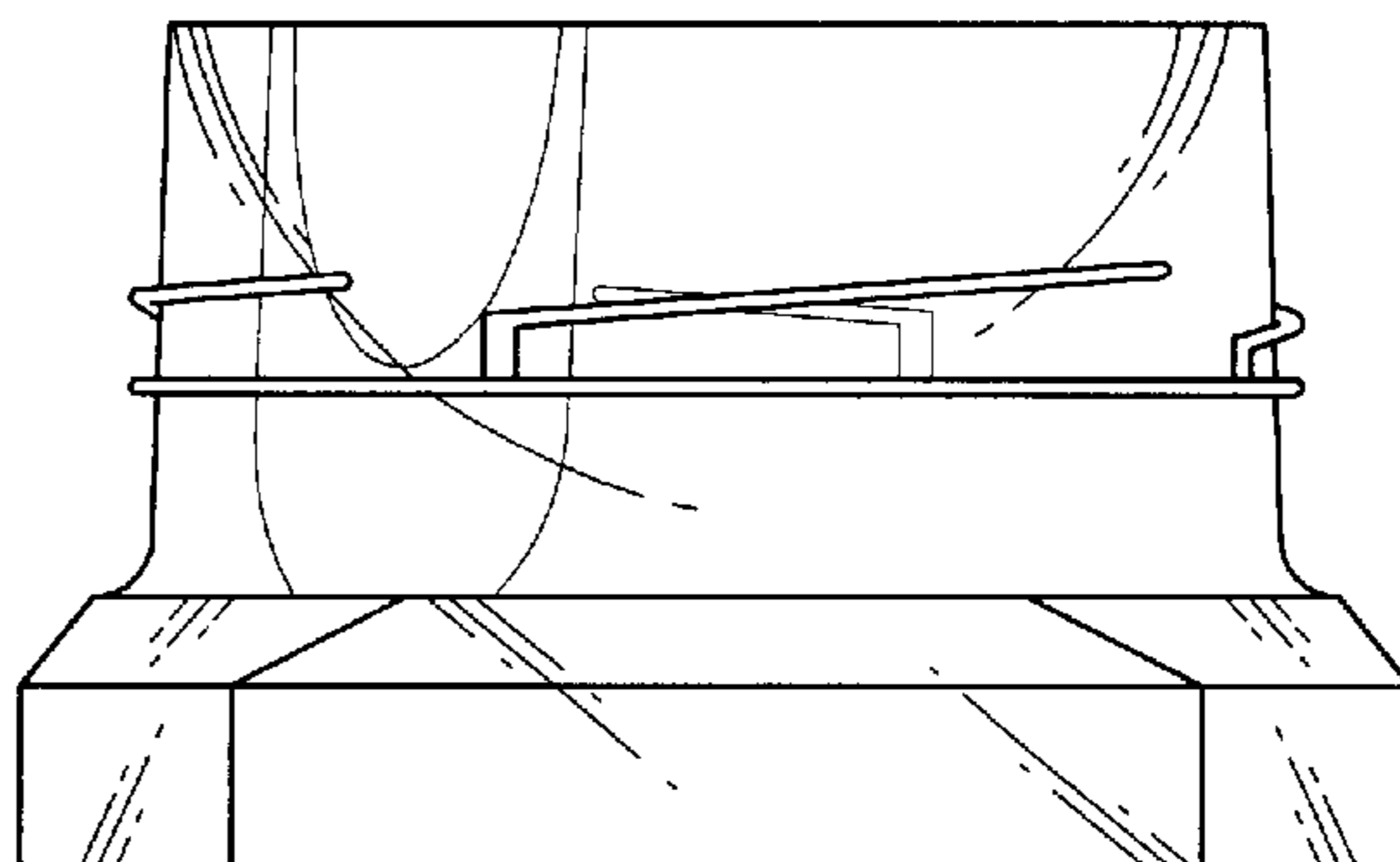


FIG. 4



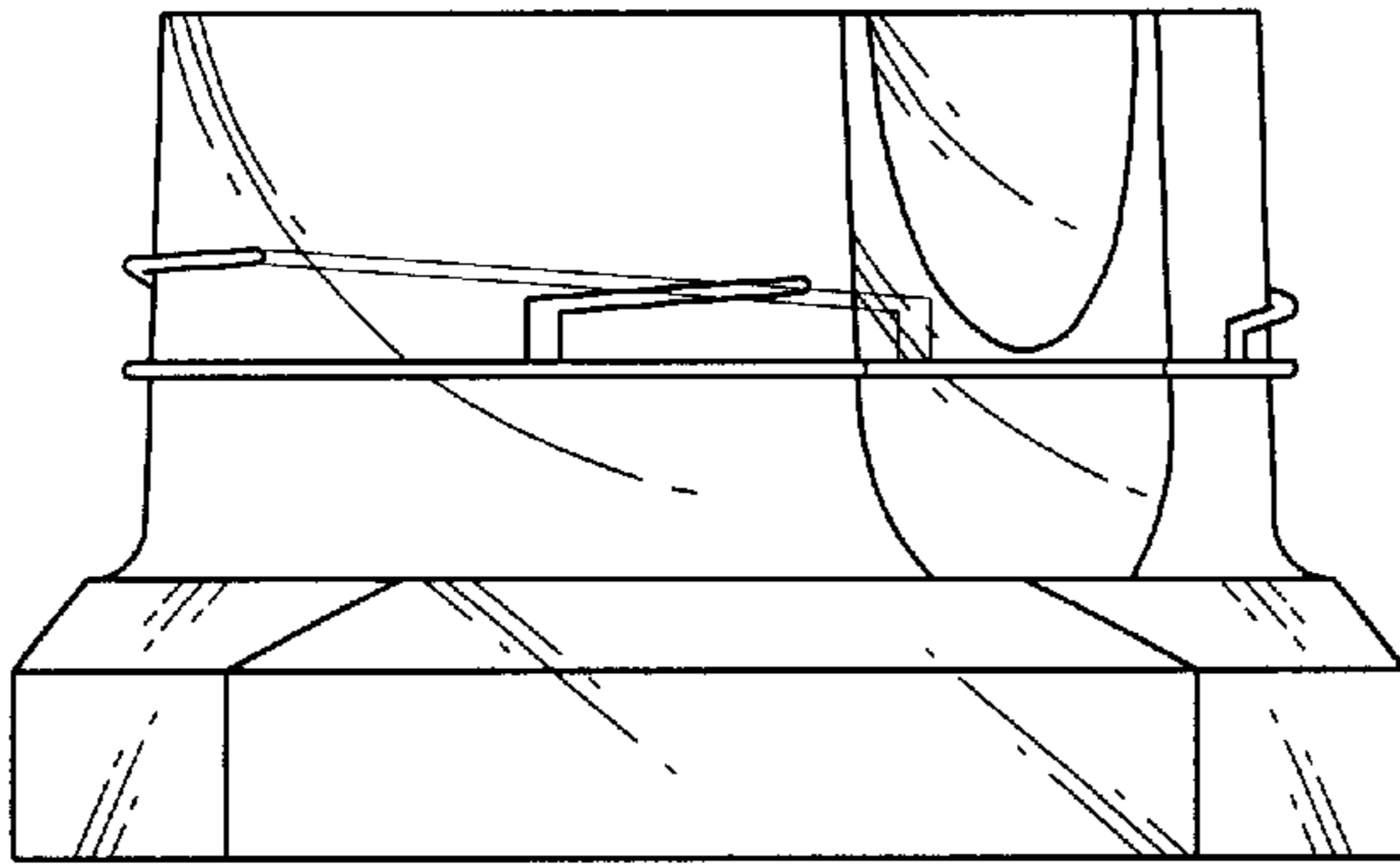


FIG. 5

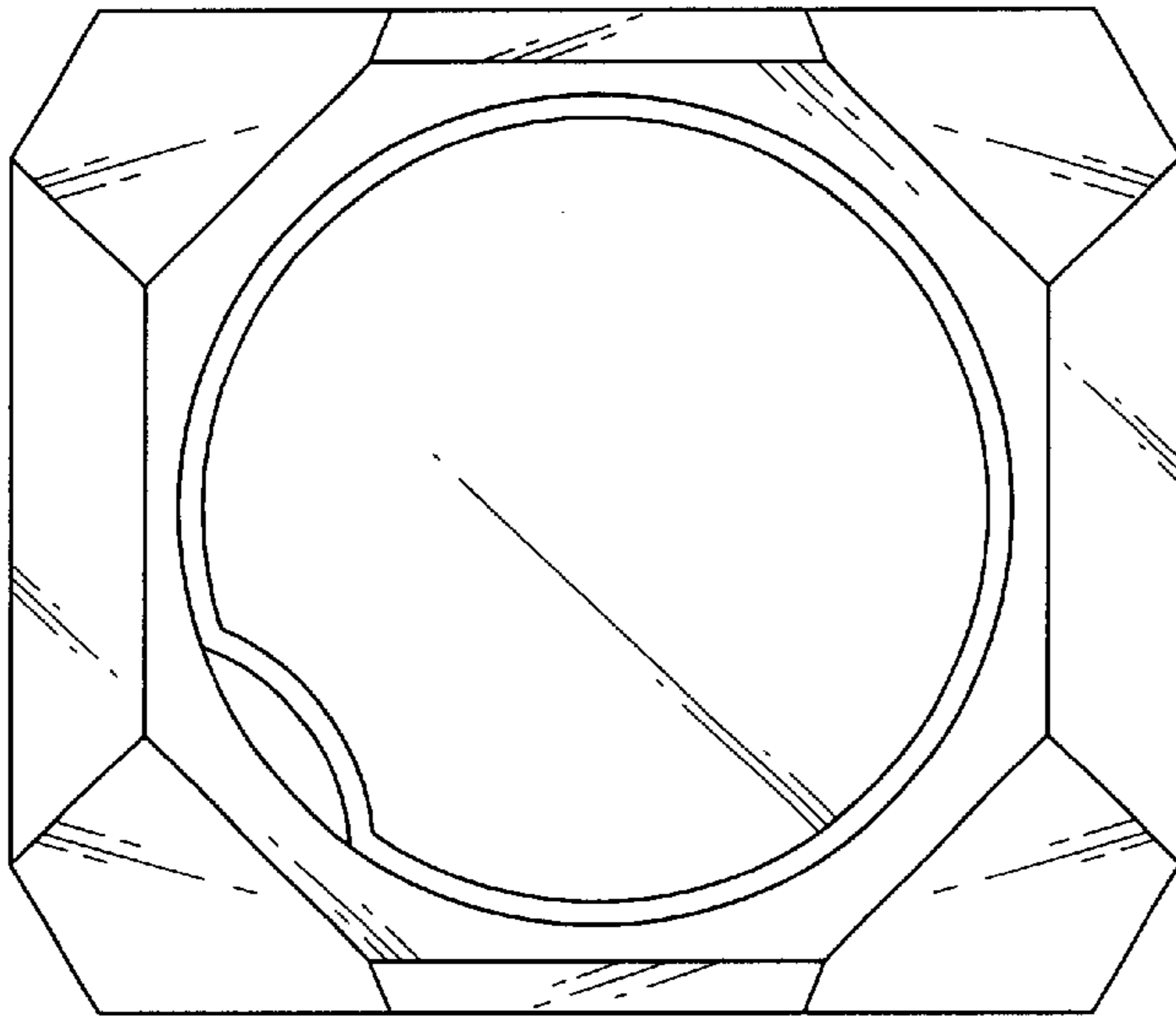


FIG. 6

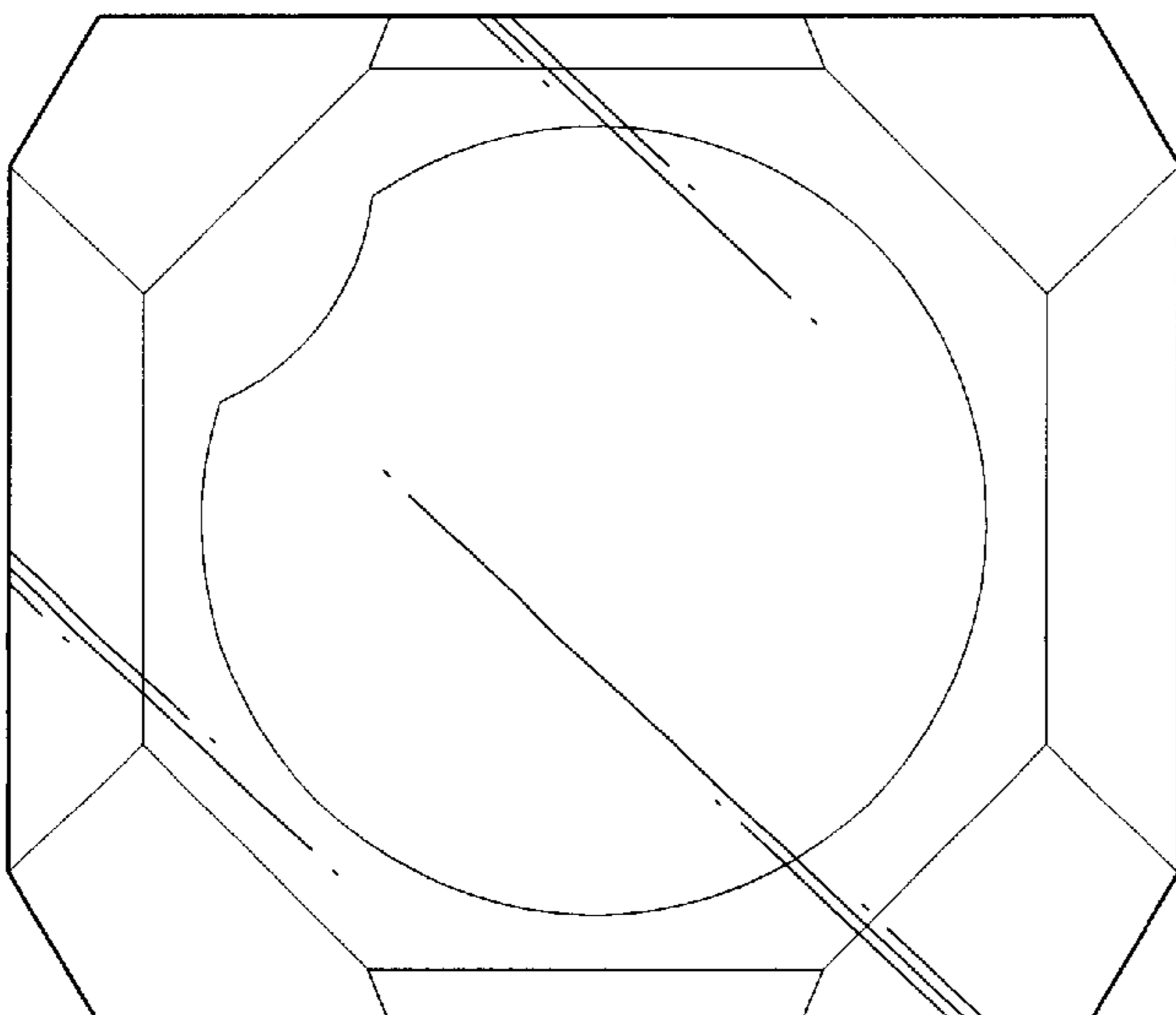


FIG. 7