

US00D505618S

(12) **United States Design Patent**  
**Richards et al.**

(10) **Patent No.: US D505,618 S**  
(45) **Date of Patent: \*\* May 31, 2005**

(54) **PACKAGING FOR PRODUCT DISPLAY**

(57) **CLAIM**

(76) Inventors: **Chris Richards**, 16406 Crystal Ridge Dr., Fountain Hills, AZ (US) 85268;  
**Allen Wong**, 105 E. Beacon St., El Alhambra, CA (US) 91801

The ornamental design for packaging for product display, as shown and described.

(\*\*) Term: **14 Years**

**DESCRIPTION**

(21) Appl. No.: **29/199,043**

FIG. 1 is a top view of the packaging for product display showing our new design;

(22) Filed: **Feb. 9, 2004**

FIG. 2 is a bottom view thereof;

(51) **LOC (7) Cl. .... 09-03**

FIG. 3 is a front view of the packaging for product display shown in FIG. 1;

(52) **U.S. Cl. .... D9/415; D9/737**

FIG. 4 is a rear view thereof;

(58) **Field of Search .... D9/737, 756, 757,**

FIG. 5 is a left side view thereof;

D9/415, 347, 418, 425-426, 430, 668;

FIG. 6 is a right side view thereof;

206/461, 457, 458, 471, 465, 315.1; D14/400,

FIG. 7 is a perspective view of the packaging for product display according to our new design; the game controller shown in broken lines forms no part of the claimed design.

401

FIG. 8 is a top view of the packaging for product display shown in FIG. 7;

(56) **References Cited**

**U.S. PATENT DOCUMENTS**

FIG. 9 is a bottom view thereof;

D434,188 S \* 11/2000 Renfrew ..... D28/73

FIG. 10 is a front view thereof;

D467,493 S \* 12/2002 Hussaini et al. .... D9/415

FIG. 11 is a rear view thereof;

D473,787 S \* 4/2003 Jones et al. .... D9/415

FIG. 12 is a left side view thereof;

\* cited by examiner

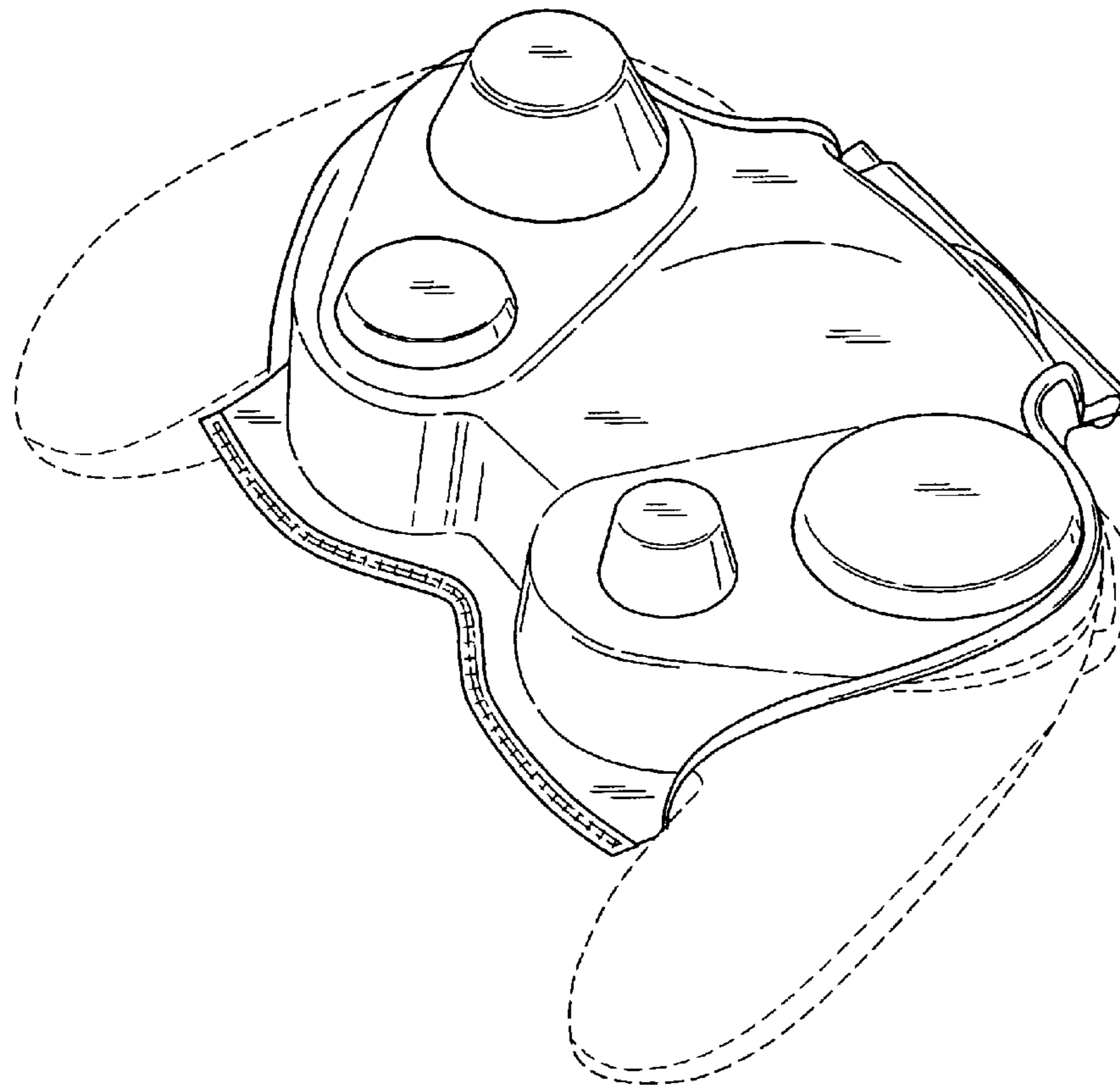
FIG. 13 is an inverted right side view thereof; and,

*Primary Examiner*—Mark A. Goodwin

FIG. 14 is an inverted left side view thereof.

(74) *Attorney, Agent, or Firm*—Keusey, Tutunjian & Bitetto, P.C.

**1 Claim, 10 Drawing Sheets**



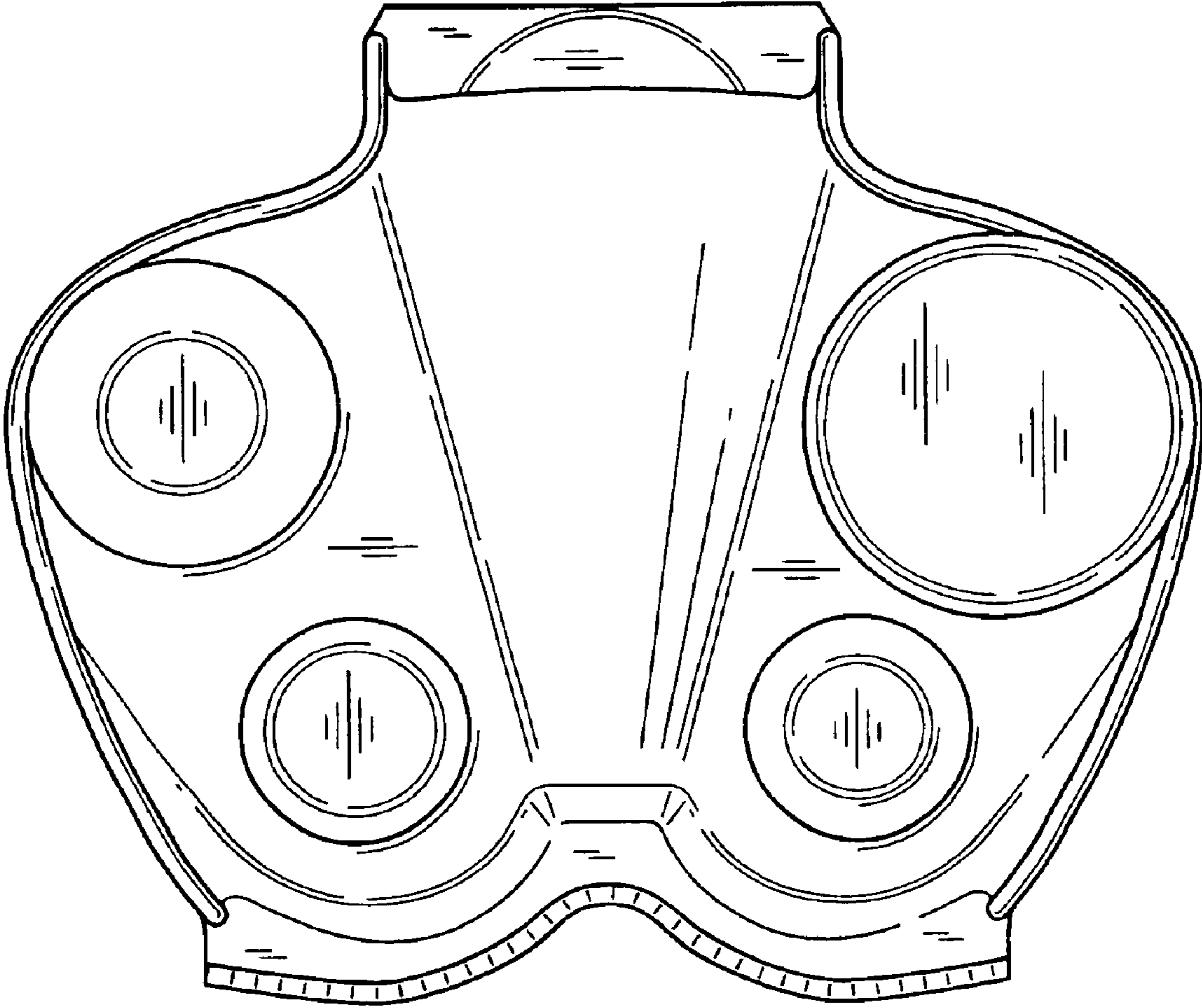


FIG. 1

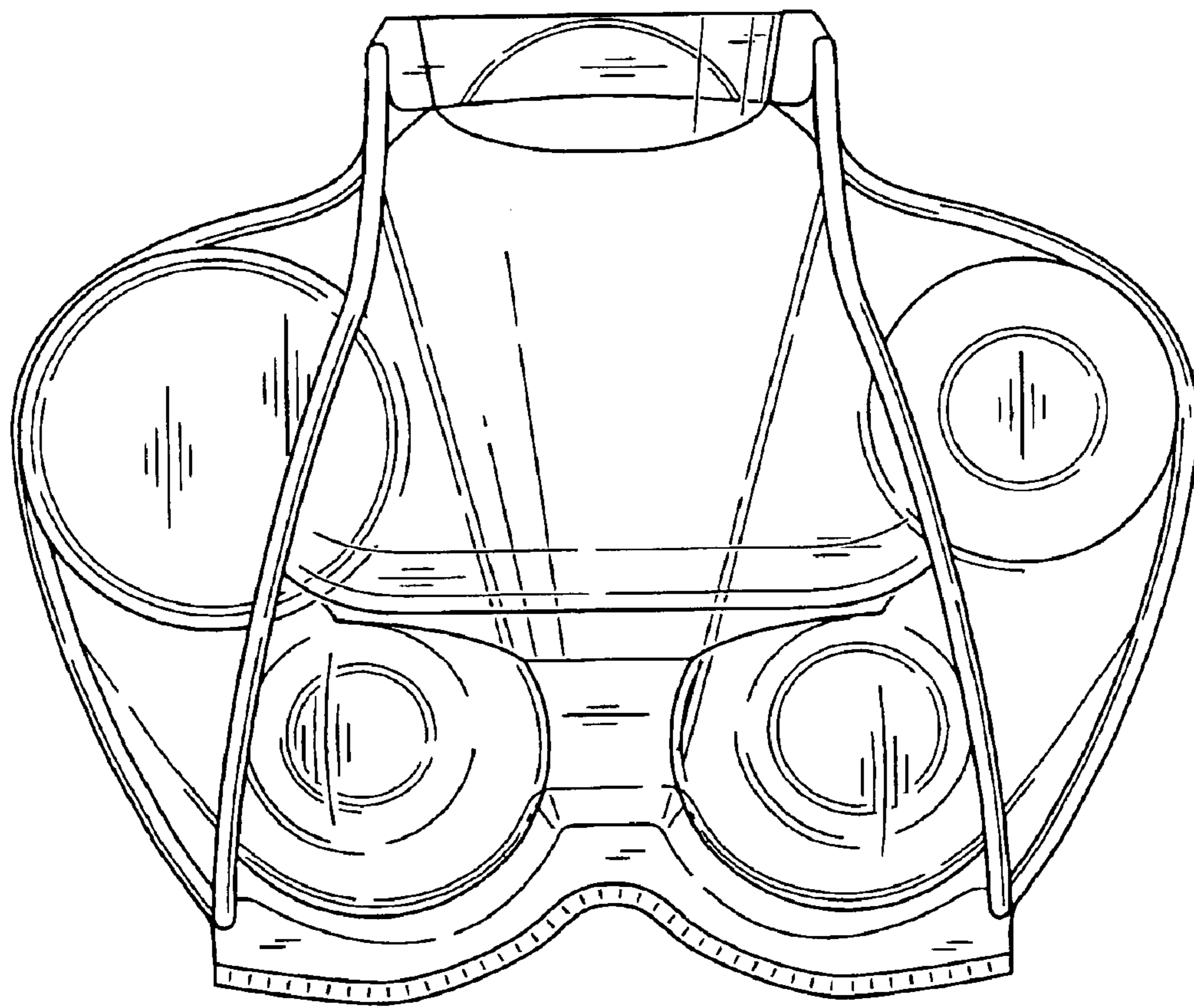


FIG. 2

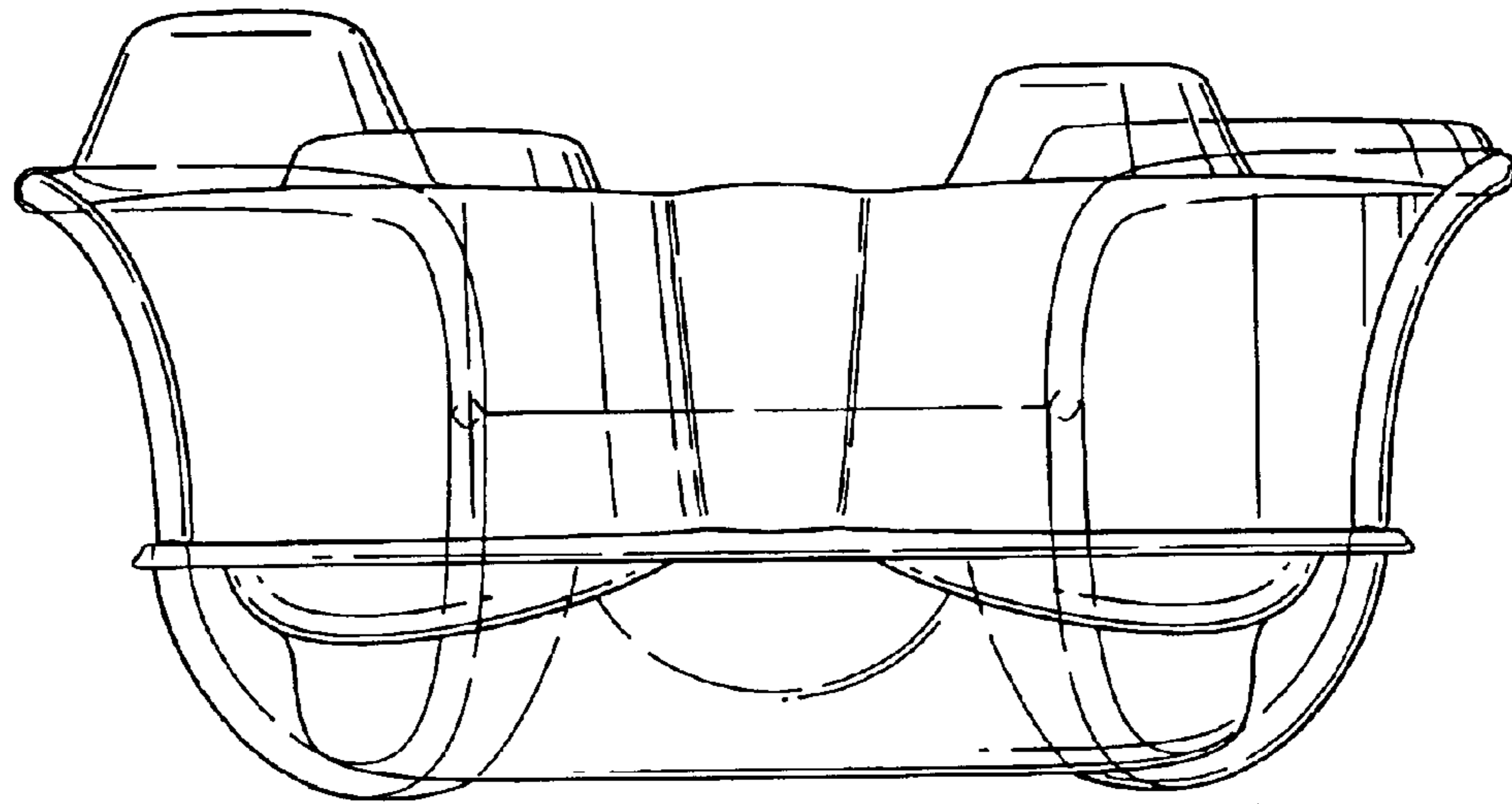


FIG. 3

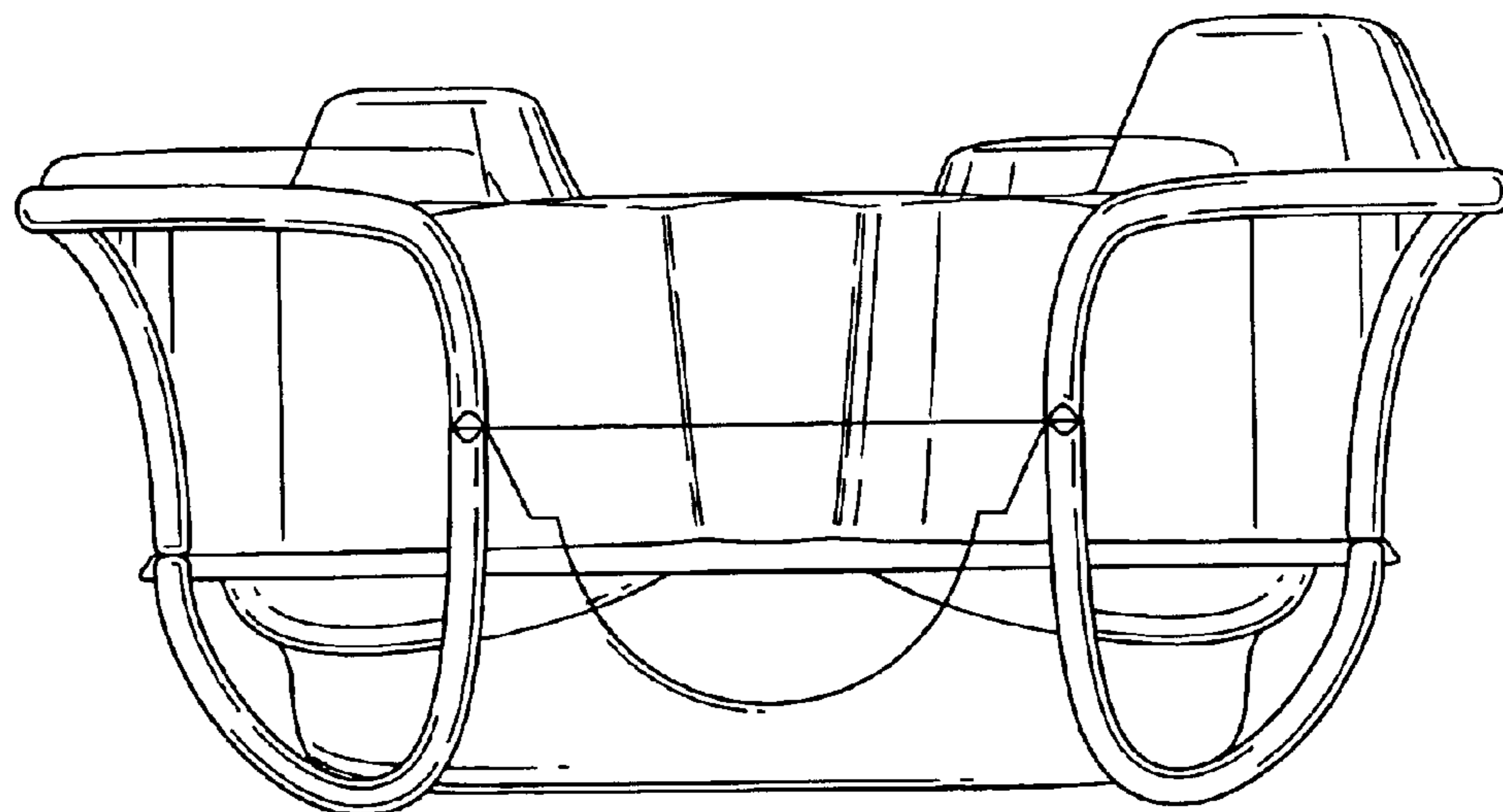


FIG. 4

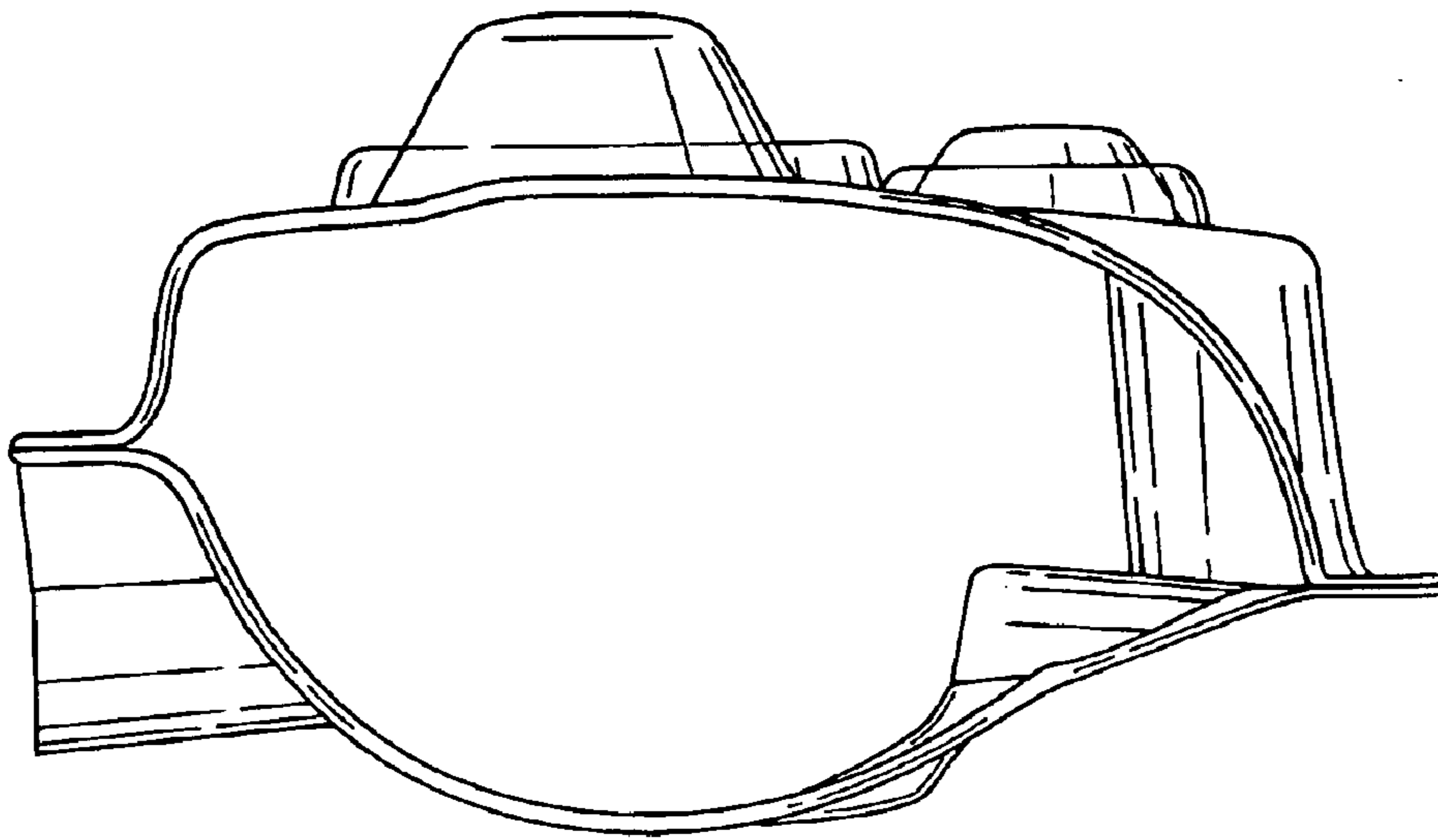


FIG. 5

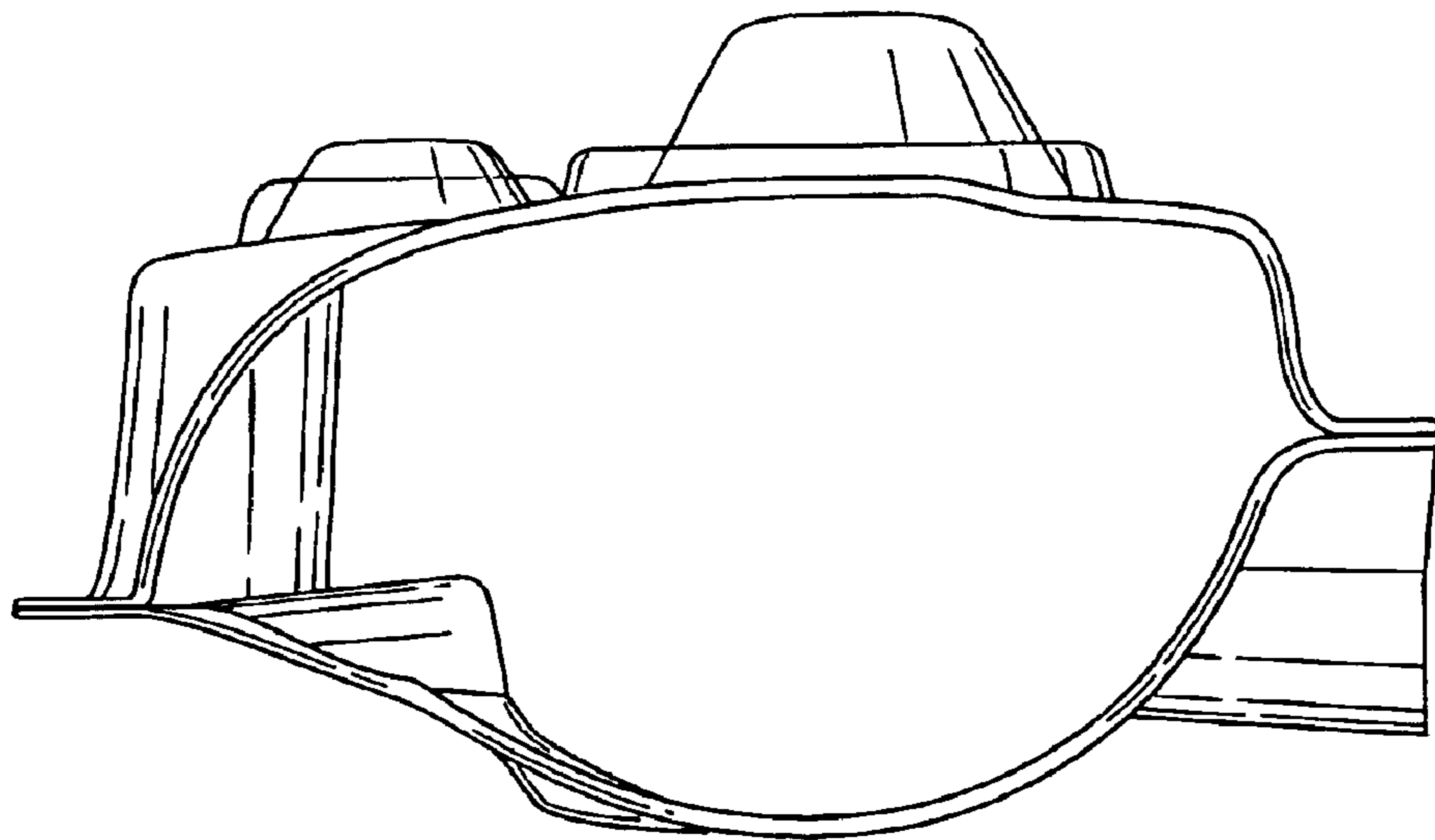


FIG. 6

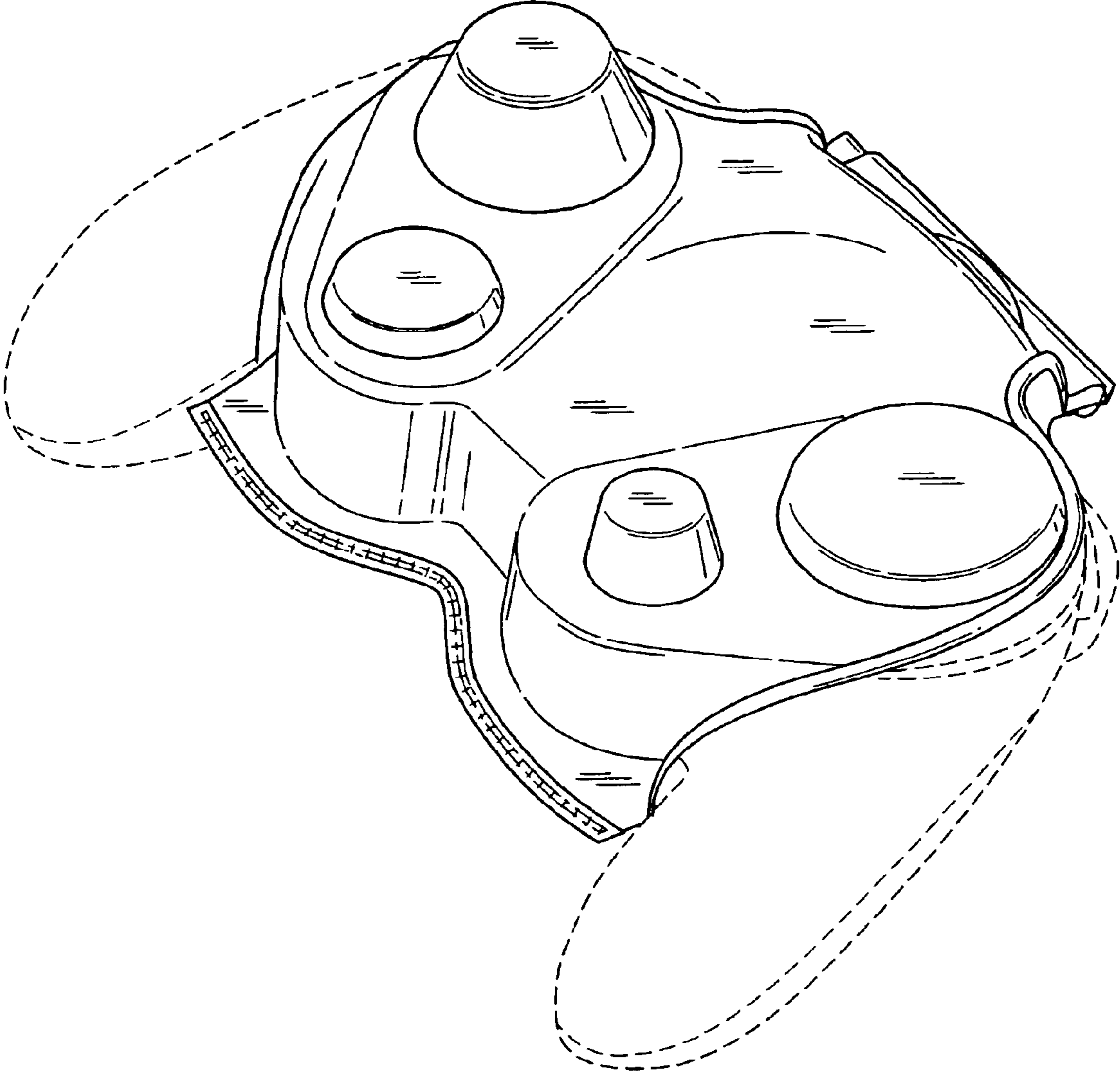


FIG. 7

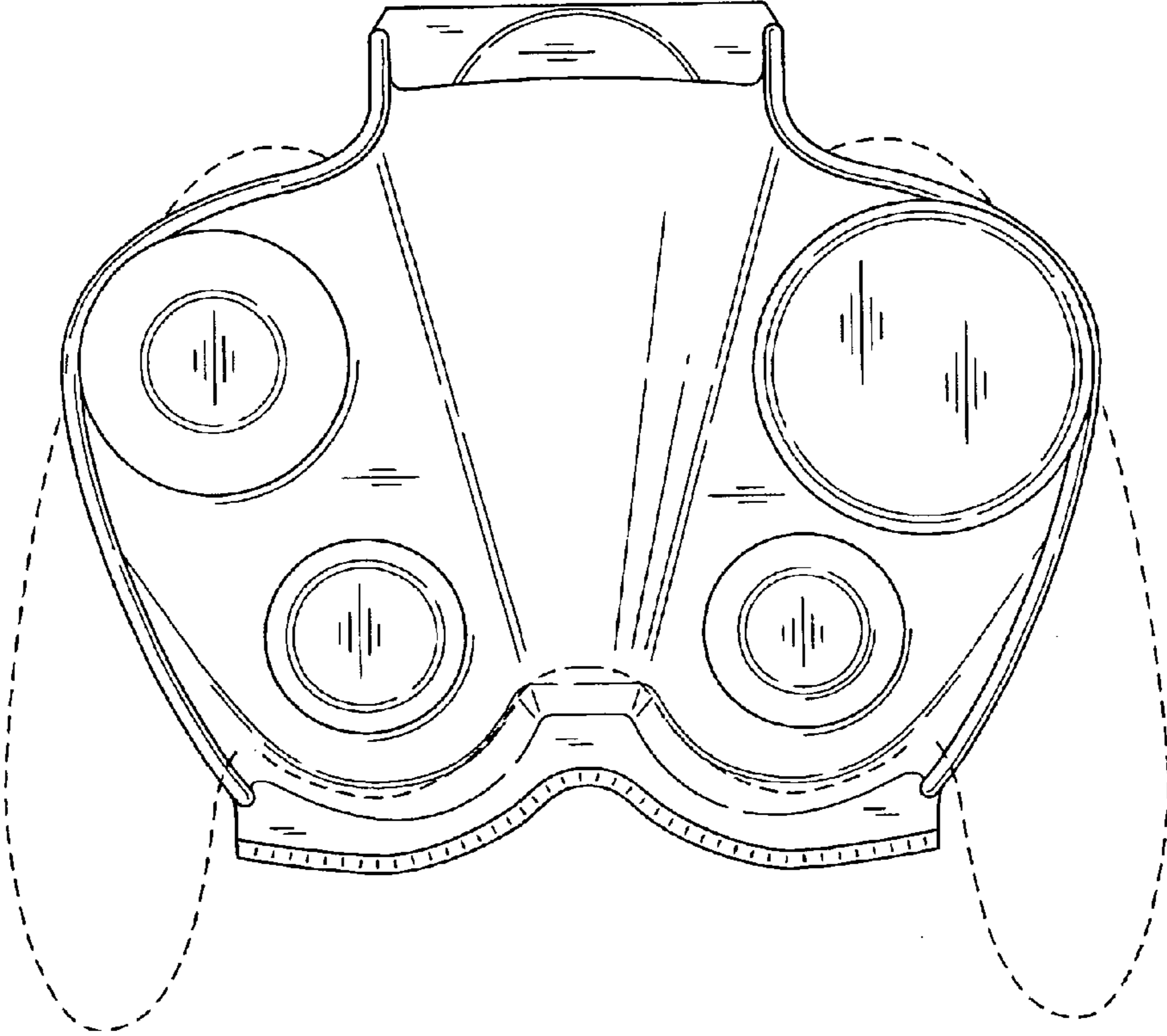


FIG. 8

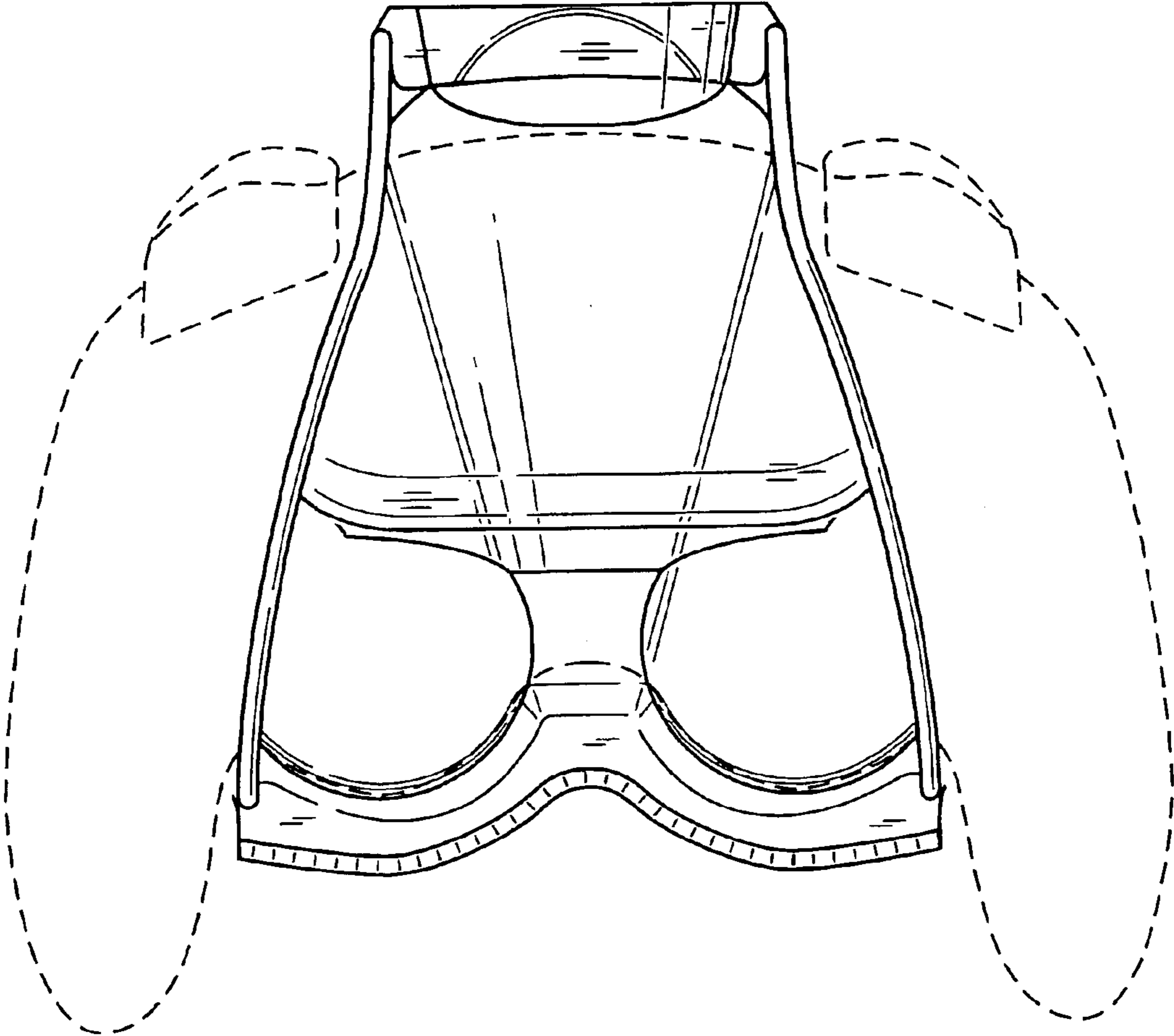


FIG. 9



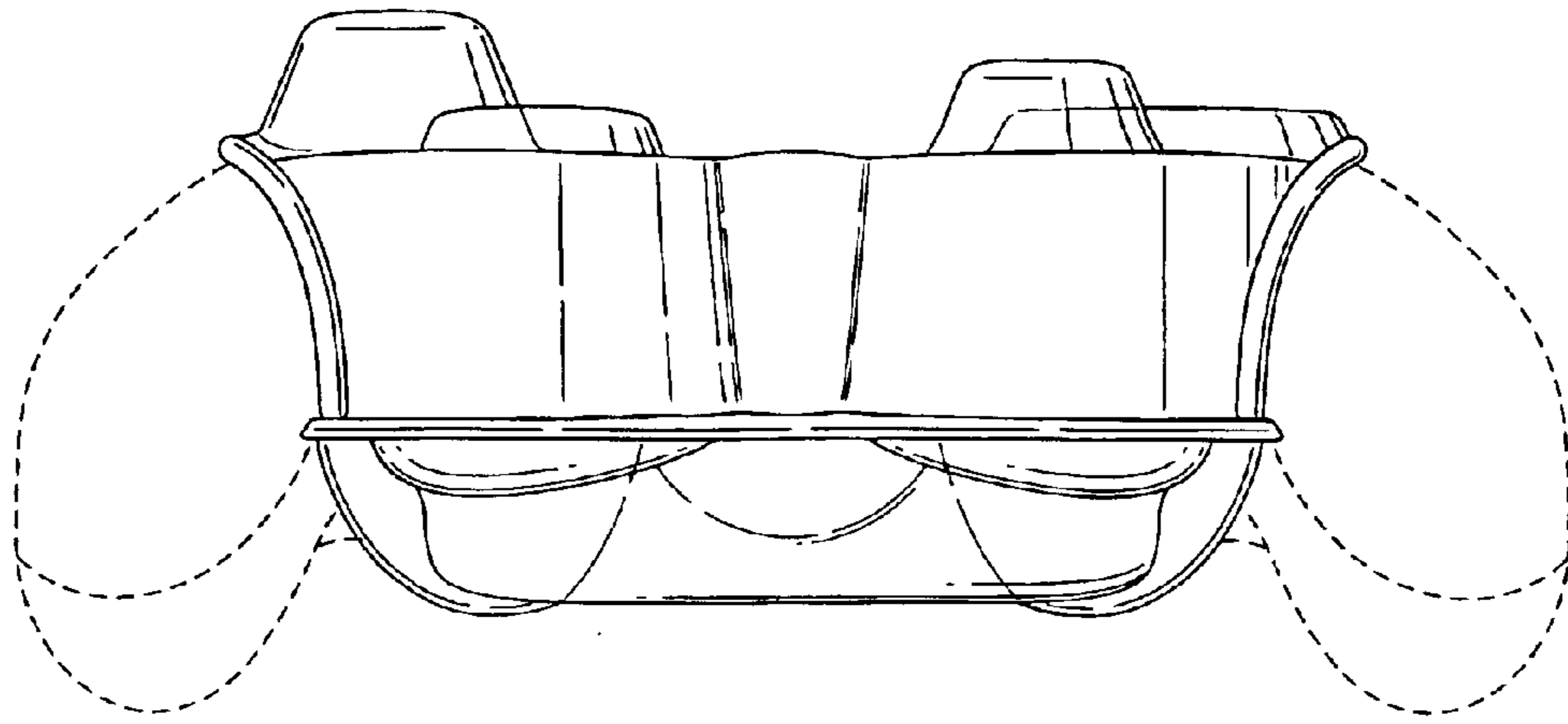


FIG. 10

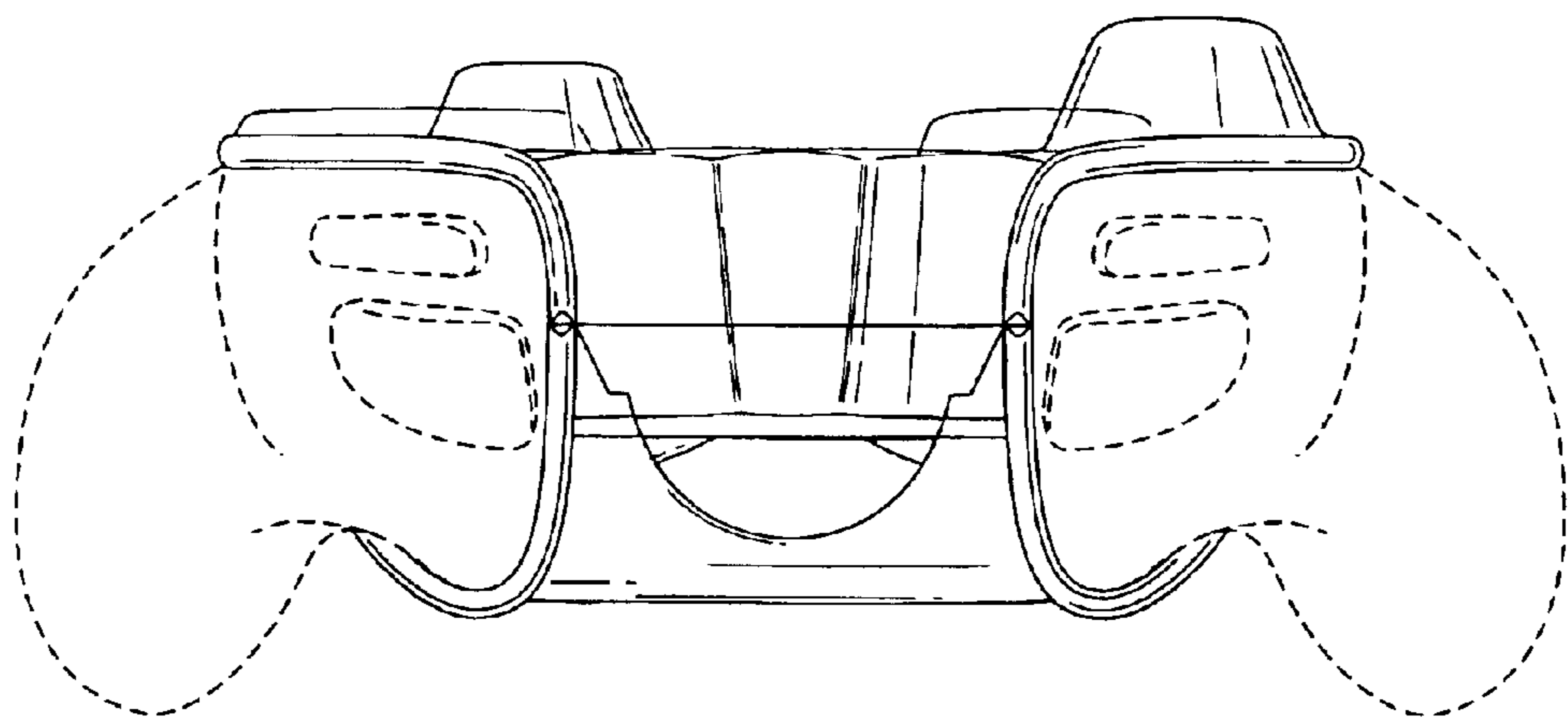


FIG. 11

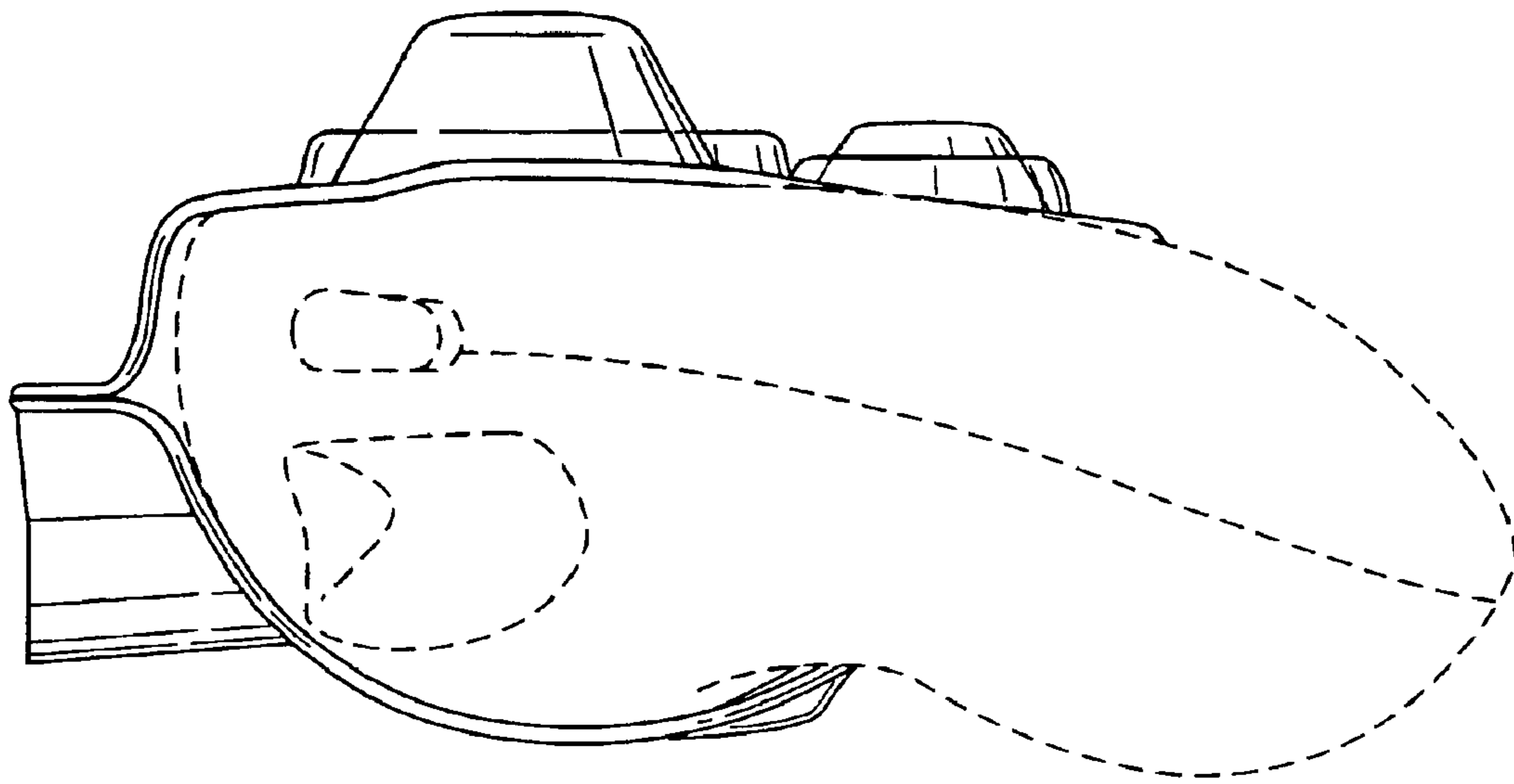


FIG. 12

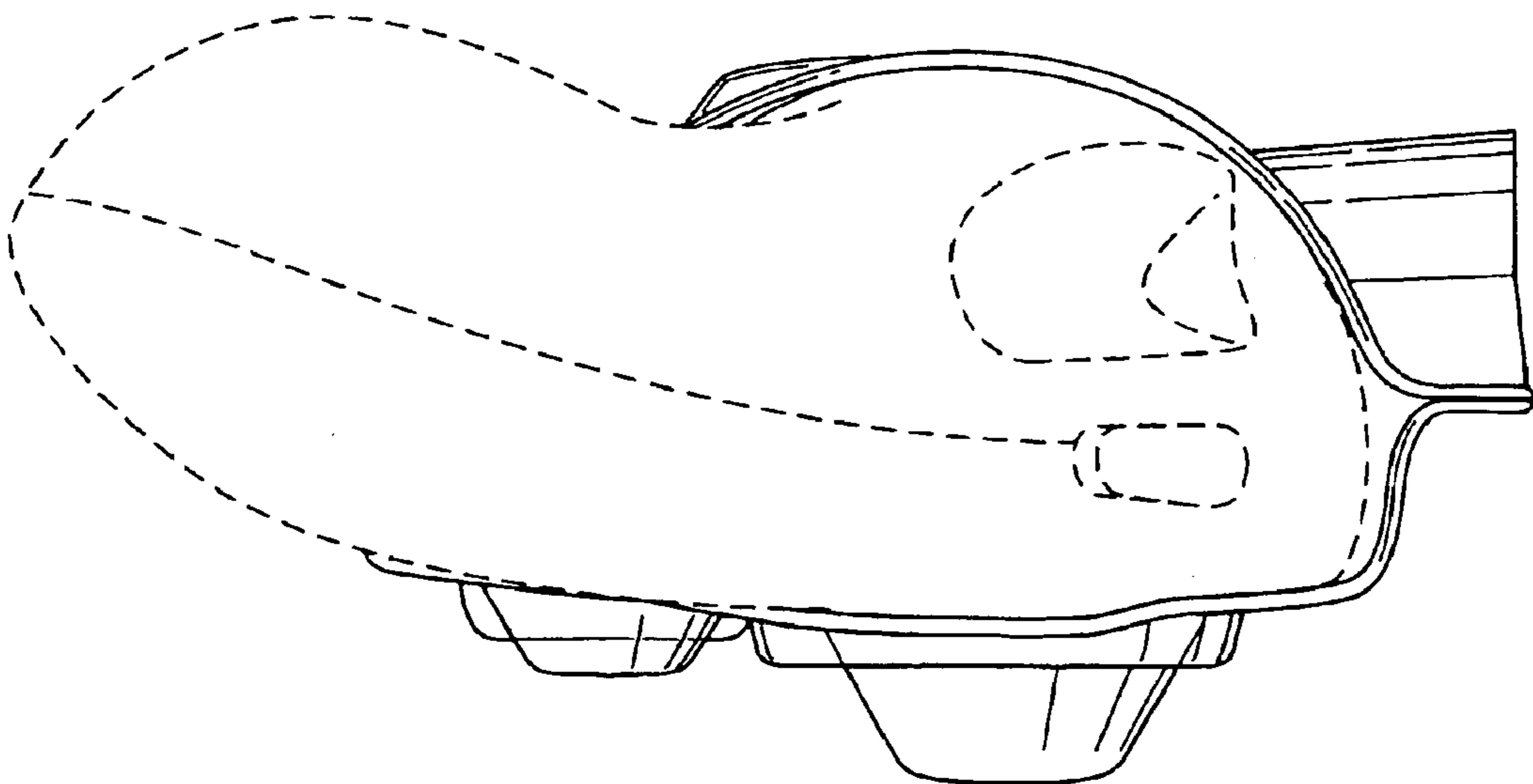


FIG. 13

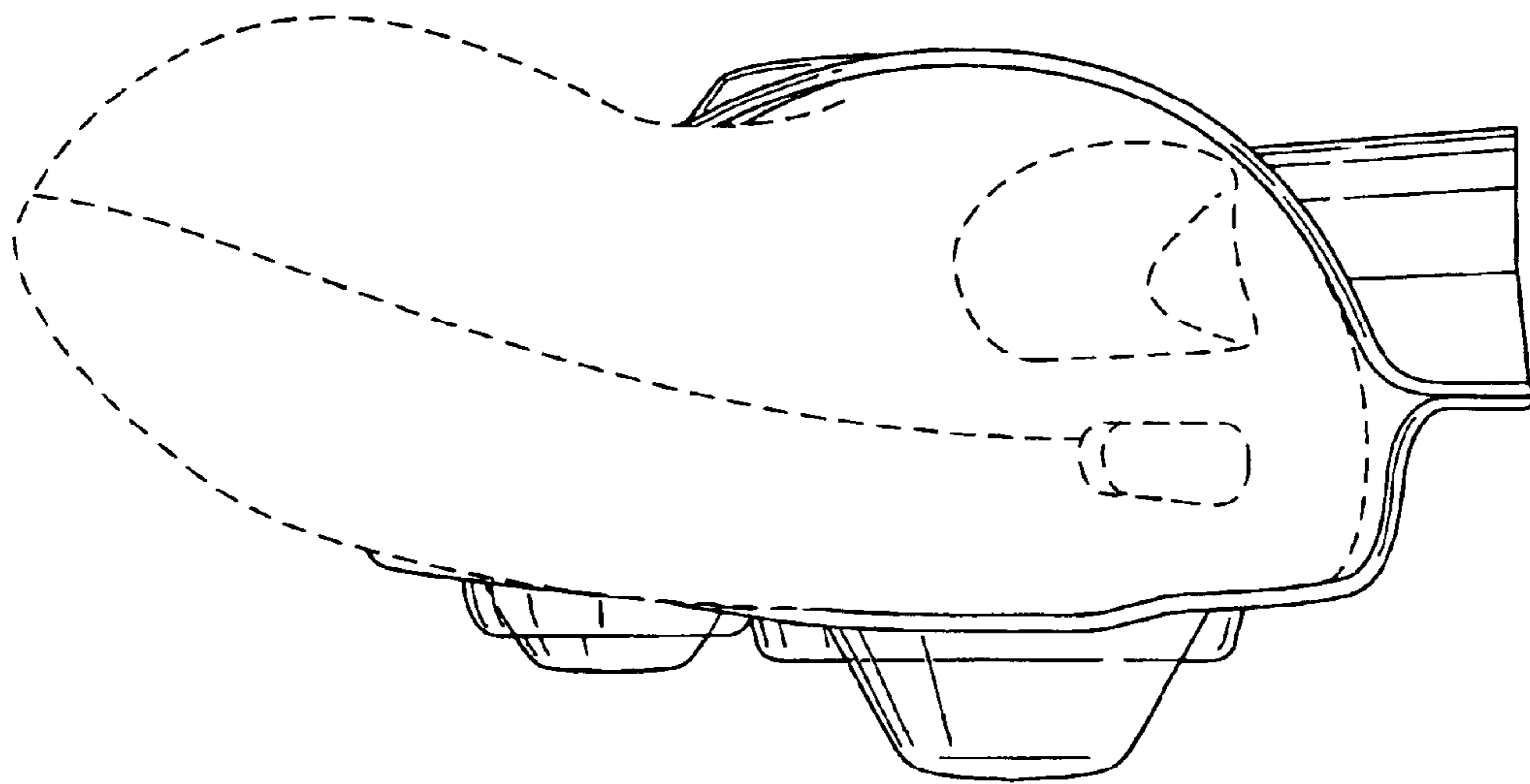


FIG. 14