

US00D505615S

(12) **United States Design Patent**
Shea

(10) **Patent No.: US D505,615 S**
(45) **Date of Patent: ** May 31, 2005**

(54) **SINGLE SLOT SIDEWINDER
MERCHANDISE DISPLAY BRACKET**

(76) Inventor: **Thomas M. Shea**, 984 Livernois, Troy,
MI (US) 48083

(**) Term: **14 Years**

(21) Appl. No.: **29/210,492**

(22) Filed: **Aug. 2, 2004**

(51) **LOC (7) Cl.** **08-05**

(52) **U.S. Cl.** **D8/373**

(58) **Field of Search** D8/354, 381, 363;
248/235, 247, 214-215, 300, 227.1, 227.4

(56) **References Cited**

U.S. PATENT DOCUMENTS

D463,251 S	*	9/2002	Shea	D8/354
D477,769 S	*	7/2003	Shea	D8/363
D483,656 S	*	12/2003	Shea	D8/381

* cited by examiner

Primary Examiner—Holly Baynham

(74) *Attorney, Agent, or Firm*—Gifford, Krass, Groh,
Sprinkle, Anderson & Citkowski, P.C.

(57) **CLAIM**

I claim the ornamental design for a single slot sidewinder merchandise display bracket, as shown and described.

DESCRIPTION

FIG. 1 is an environmental perspective of the single slot sidewinder merchandise display bracket according to a first preferred embodiment of the present design;

FIG. 2 is right side view of the present design;

FIG. 3 is a left side view of the present design;

FIG. 4 is front view of the present design;

FIG. 5 is a rear view of the present design;

FIG. 6 is a top elevational view of the present design;

FIG. 7 is a bottom elevational view of the present design;

FIG. 8 is an environmental perspective of the single slot sidewinder merchandise display bracket according to a second preferred embodiment of the present design;

FIG. 9 is right side view of the design of FIG. 8;

FIG. 10 is a left side view of the design of FIG. 8;

FIG. 11 is front view of the design of FIG. 8;

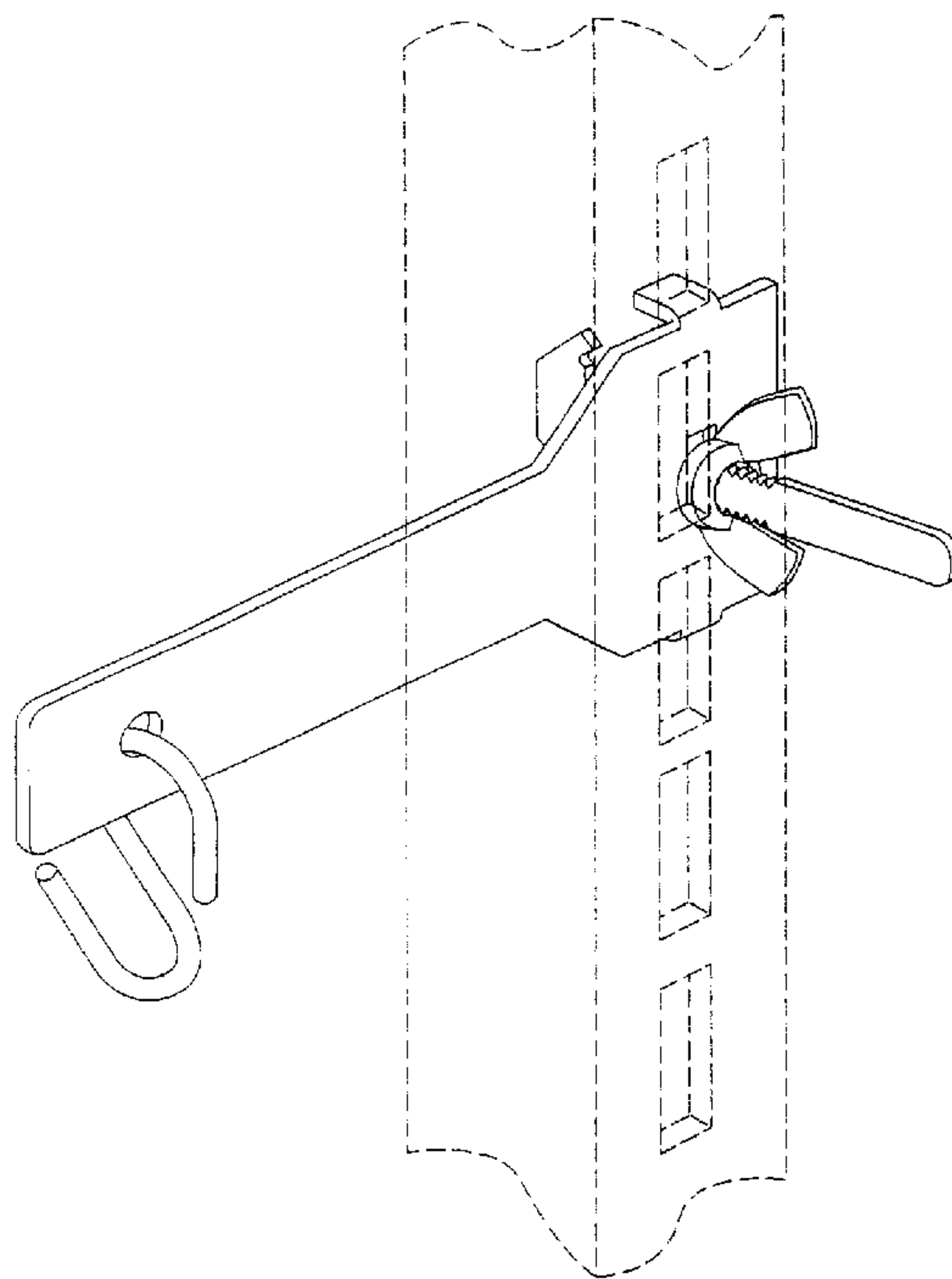
FIG. 12 is a rear view of the design of FIG. 8;

FIG. 13 is a top elevational view of the design of FIG. 8;
and,

FIG. 14 is a bottom elevational view of the design of FIG. 8.

The broken line showing of a fragmented support is for illustrative purposes only and forms no part of the claimed design.

1 Claim, 4 Drawing Sheets



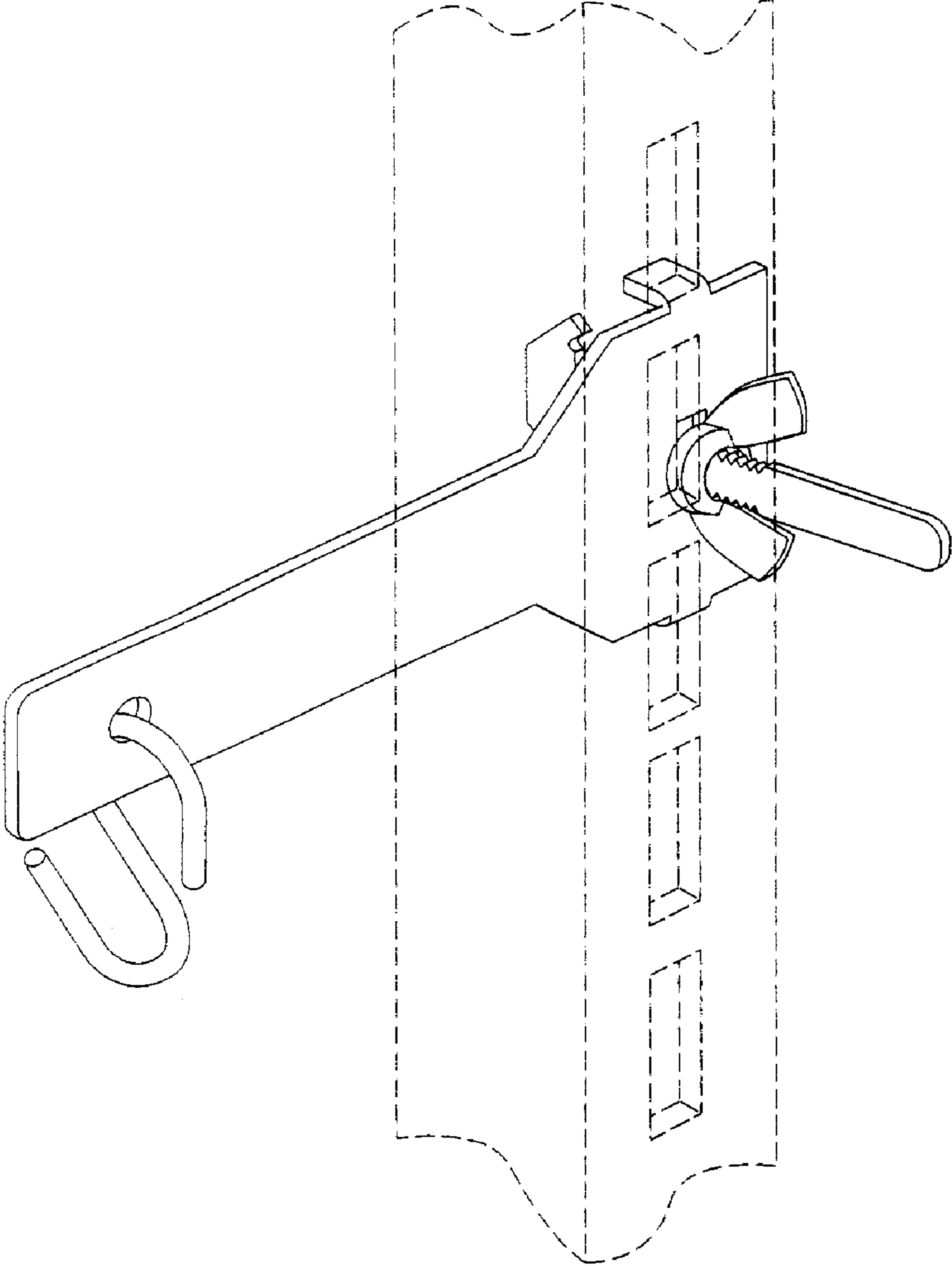


Fig-1

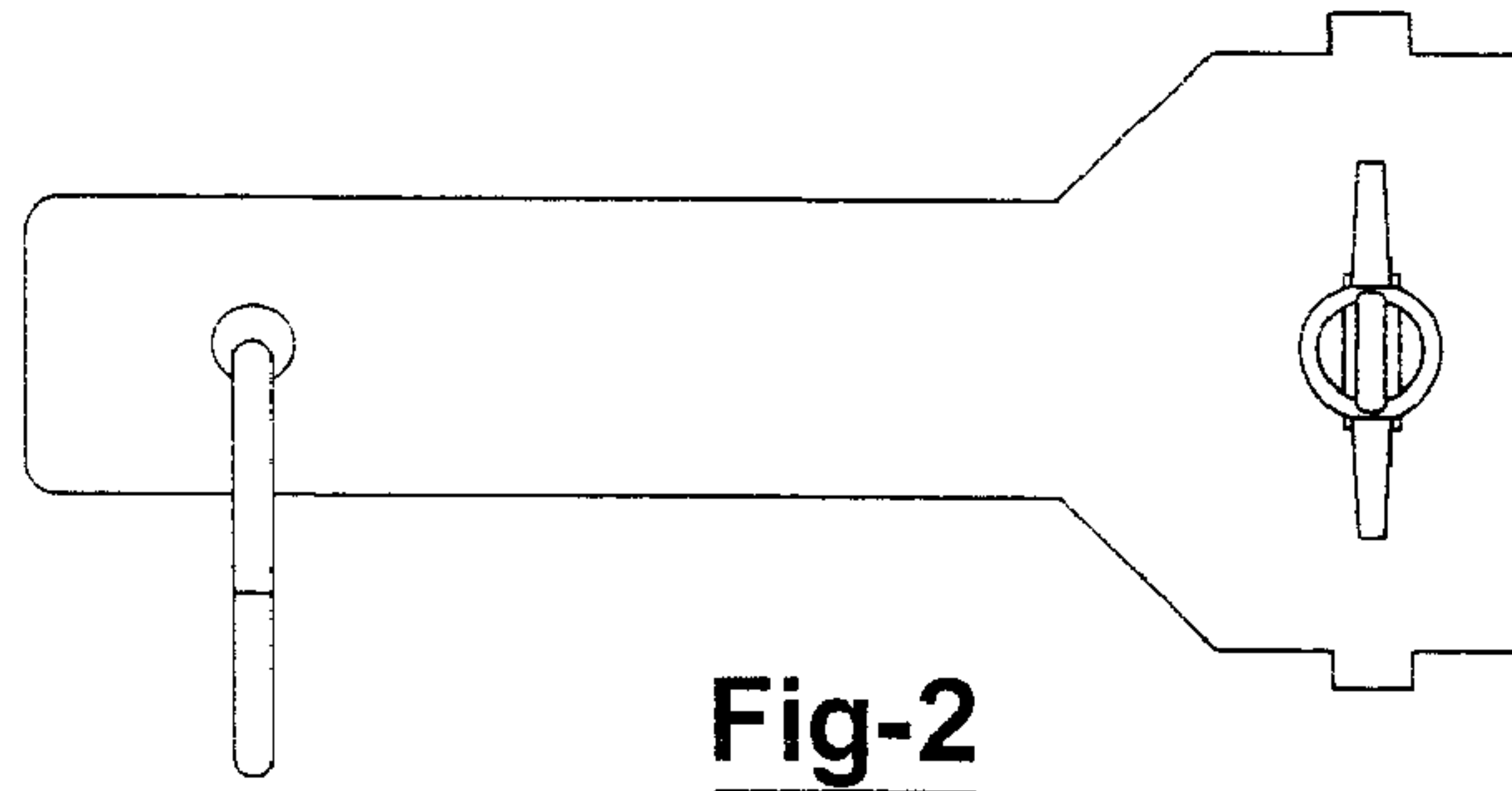


Fig-2

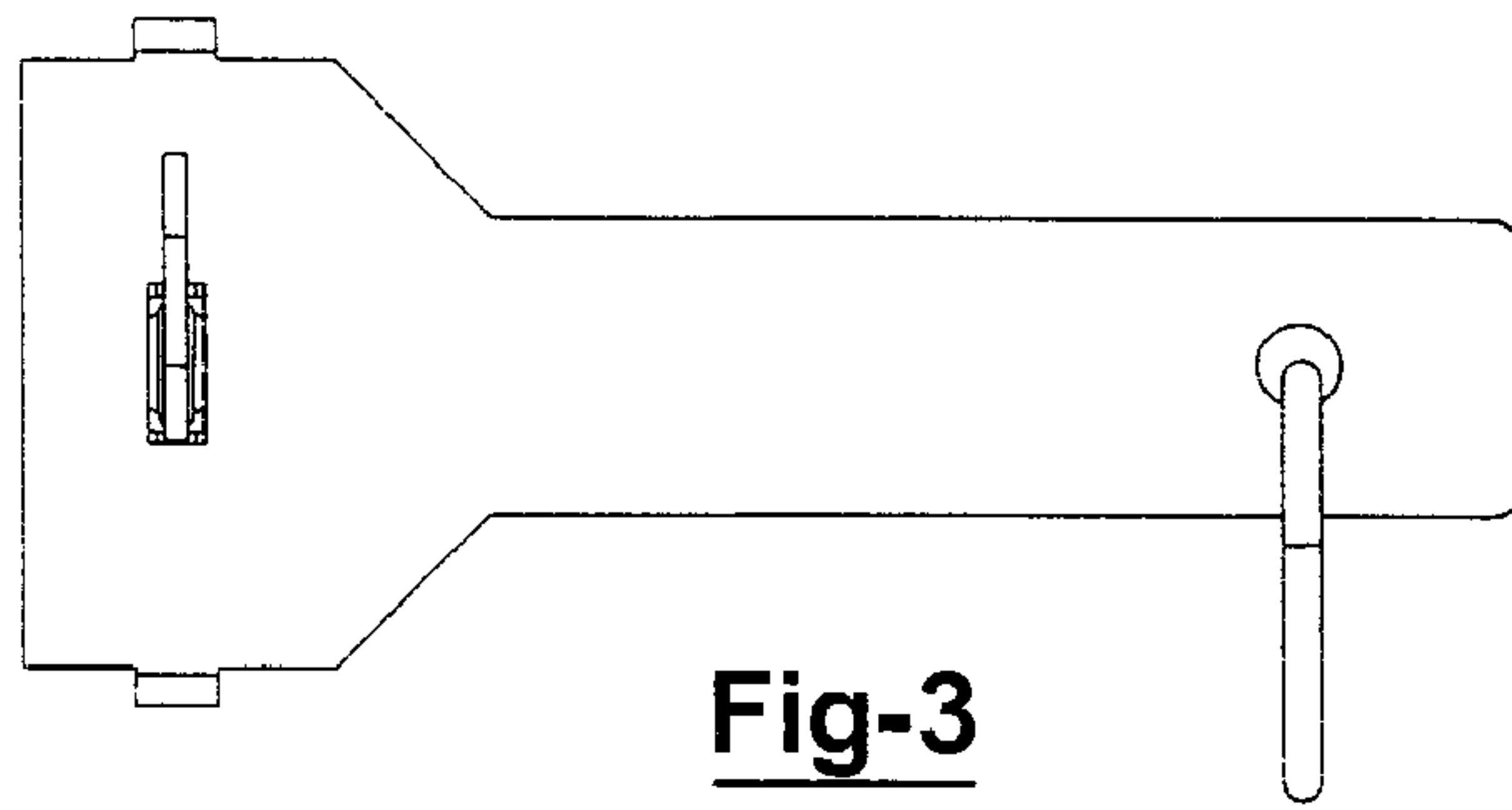


Fig-3

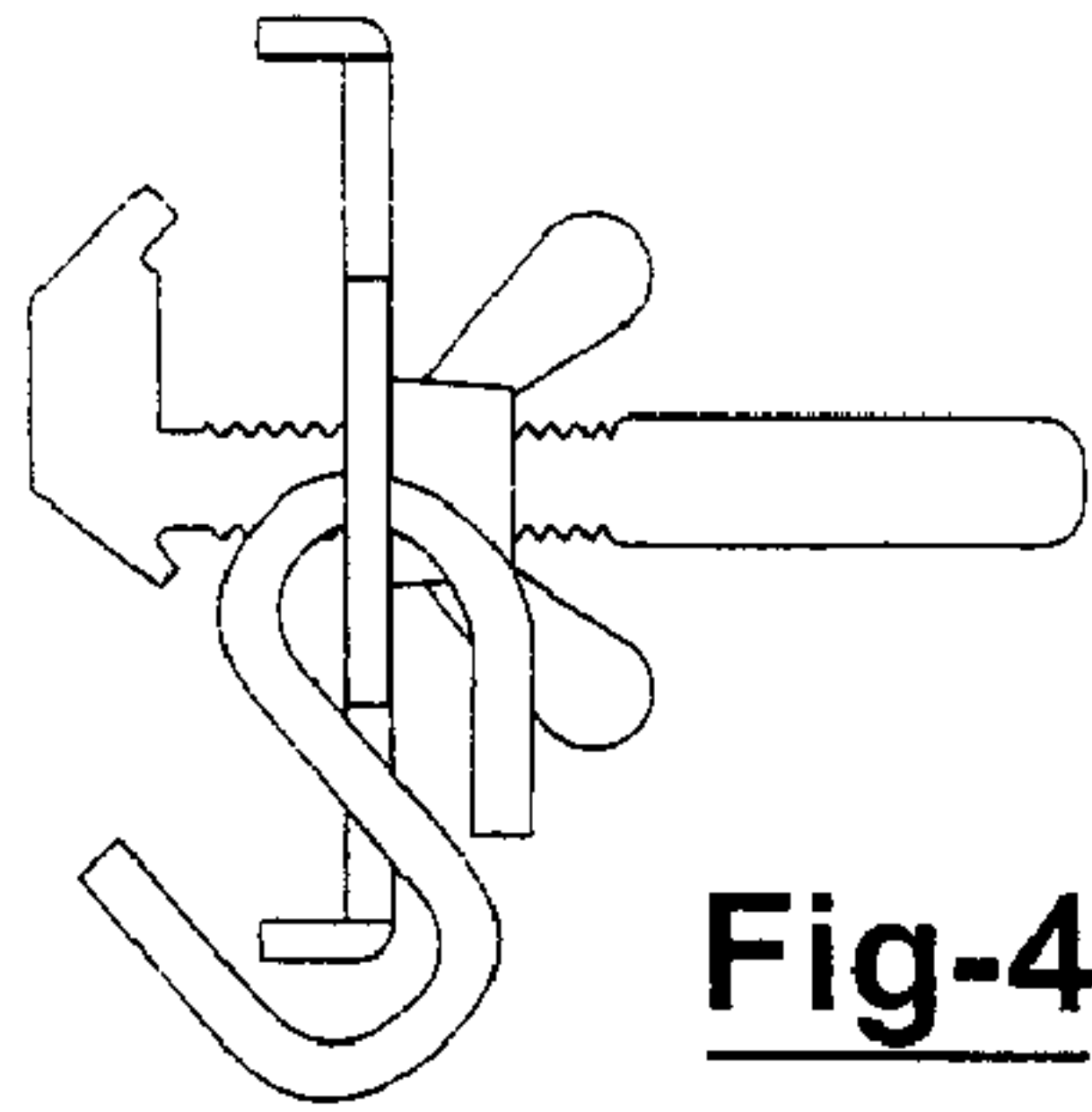


Fig-4

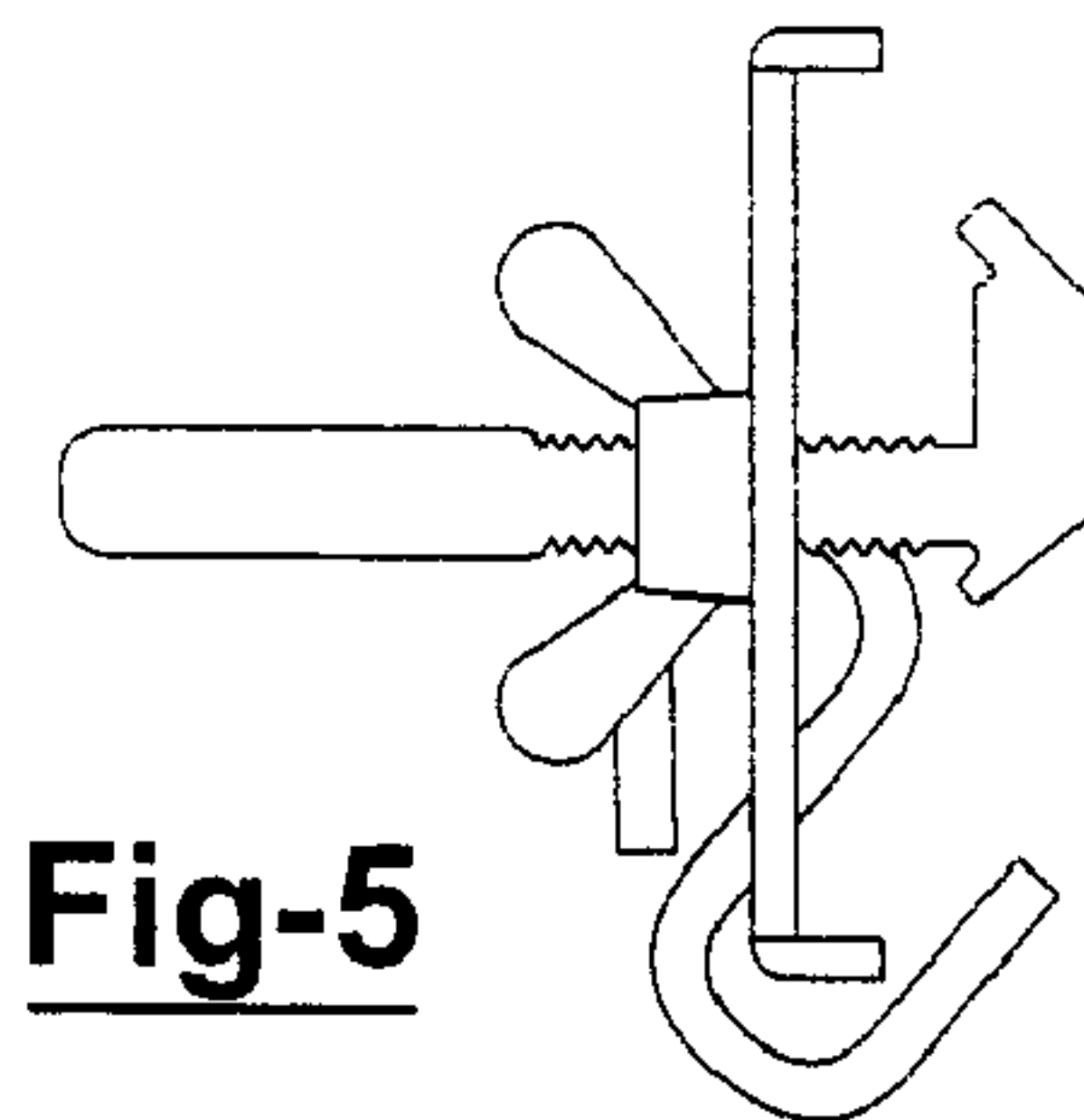


Fig-5

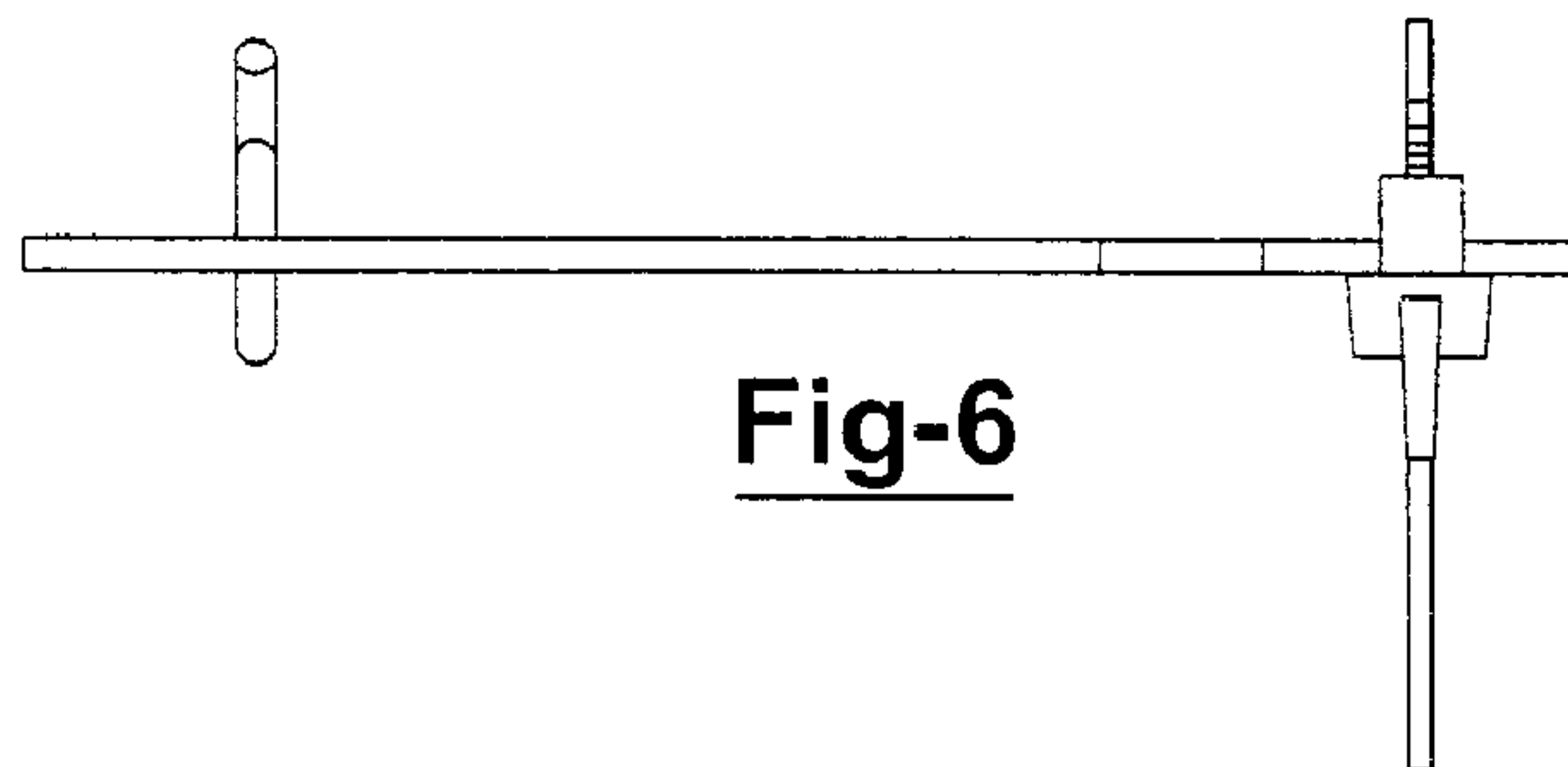


Fig-6

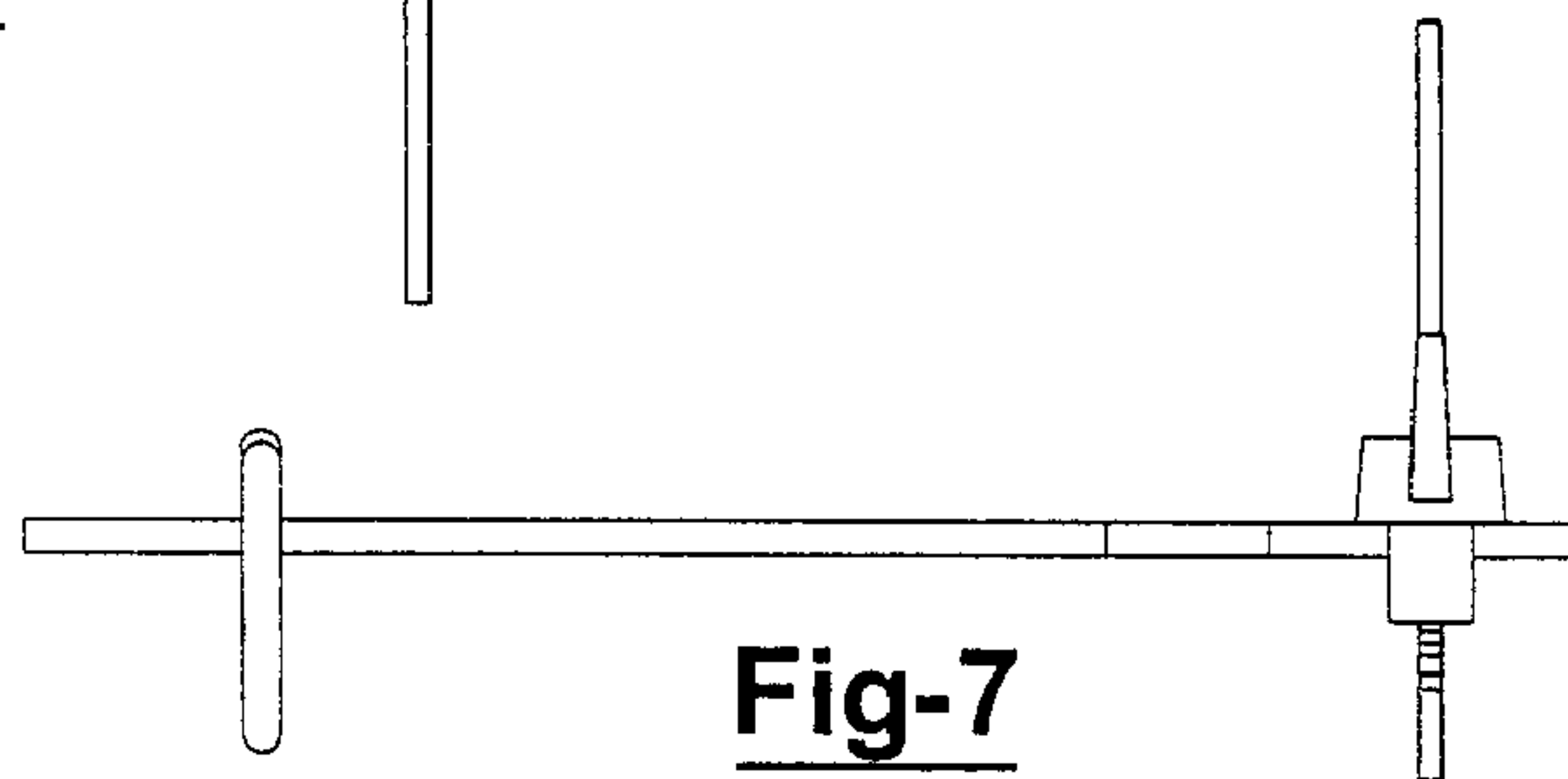


Fig-7

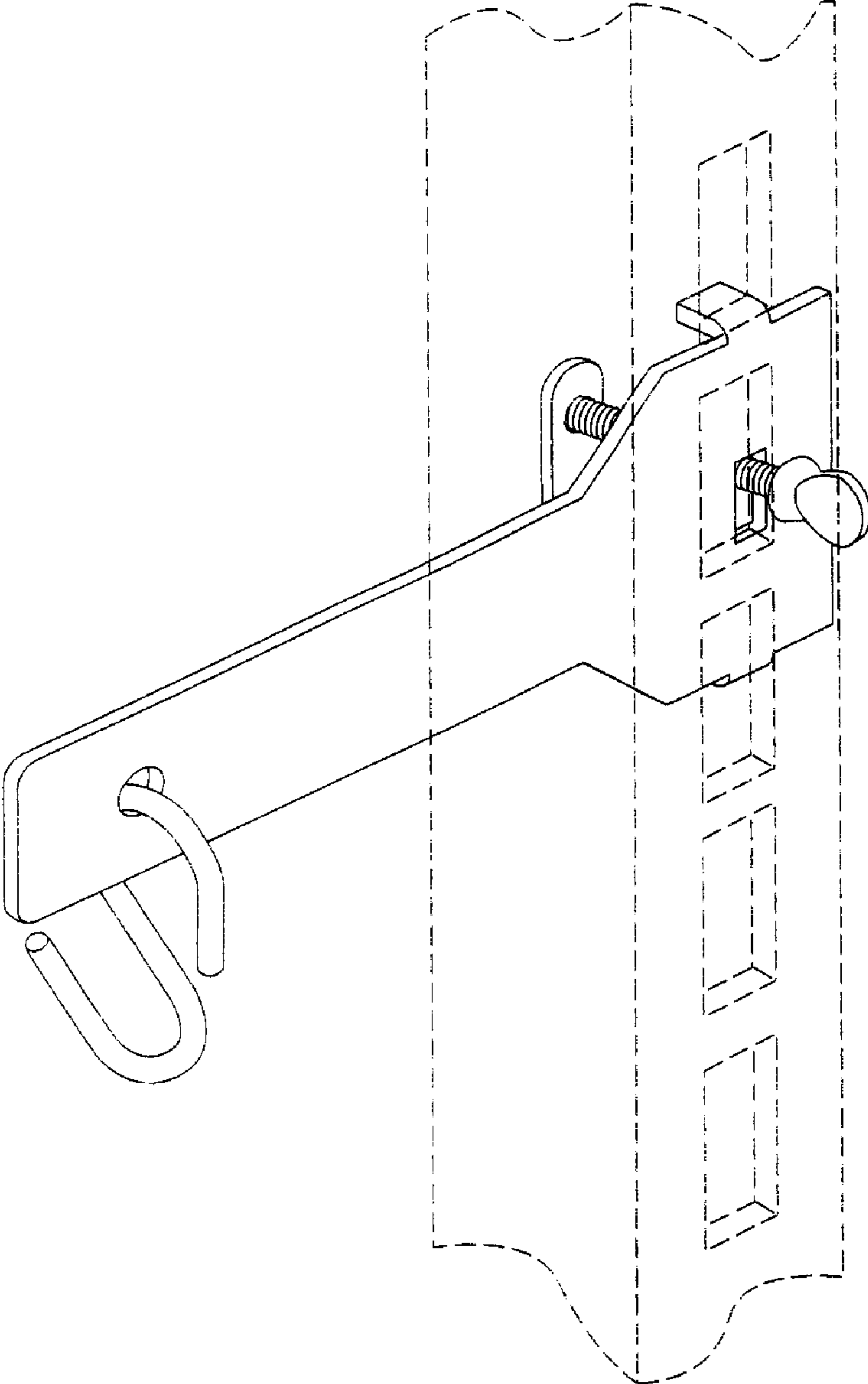


Fig-8

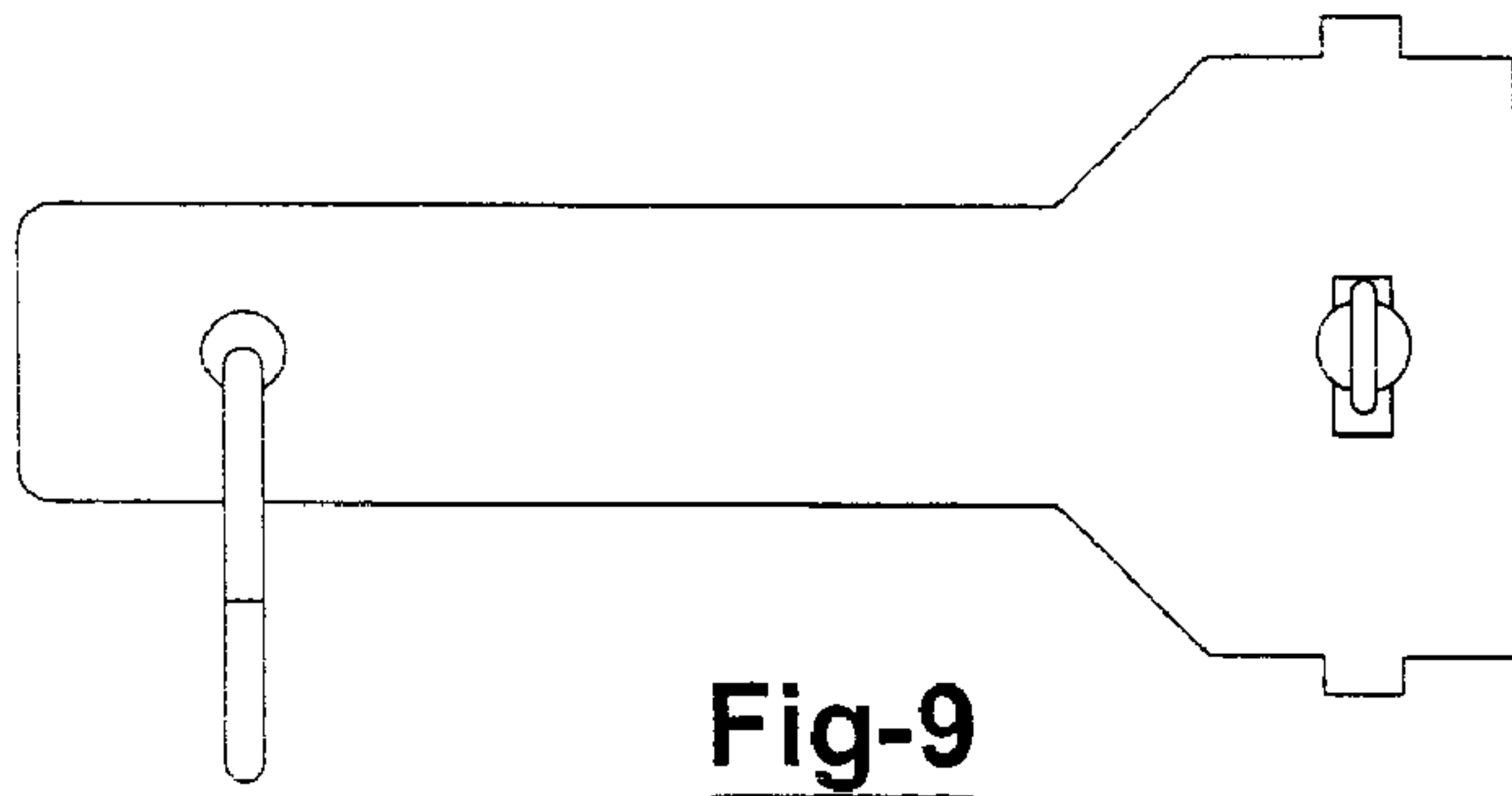


Fig-9

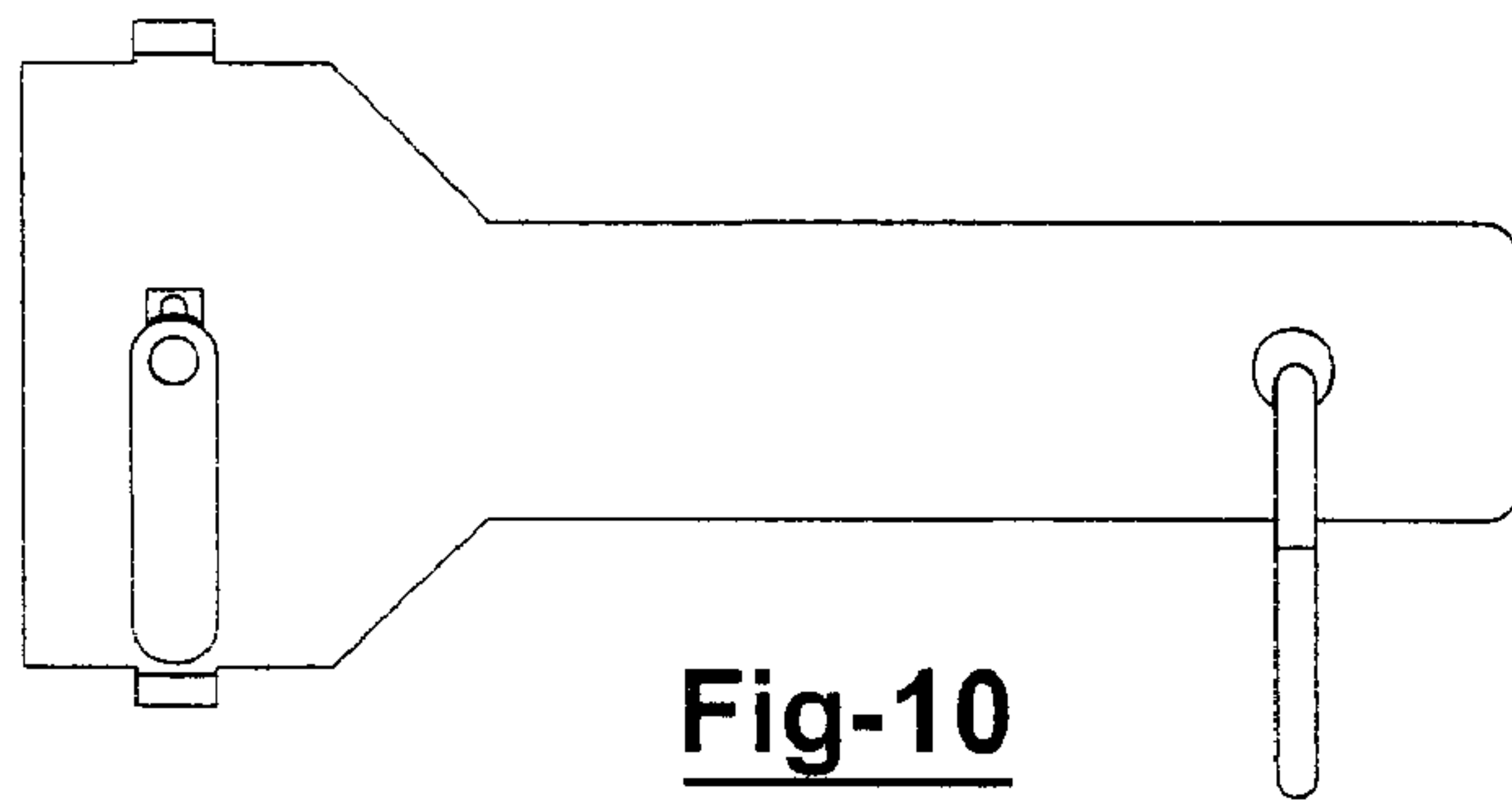


Fig-10

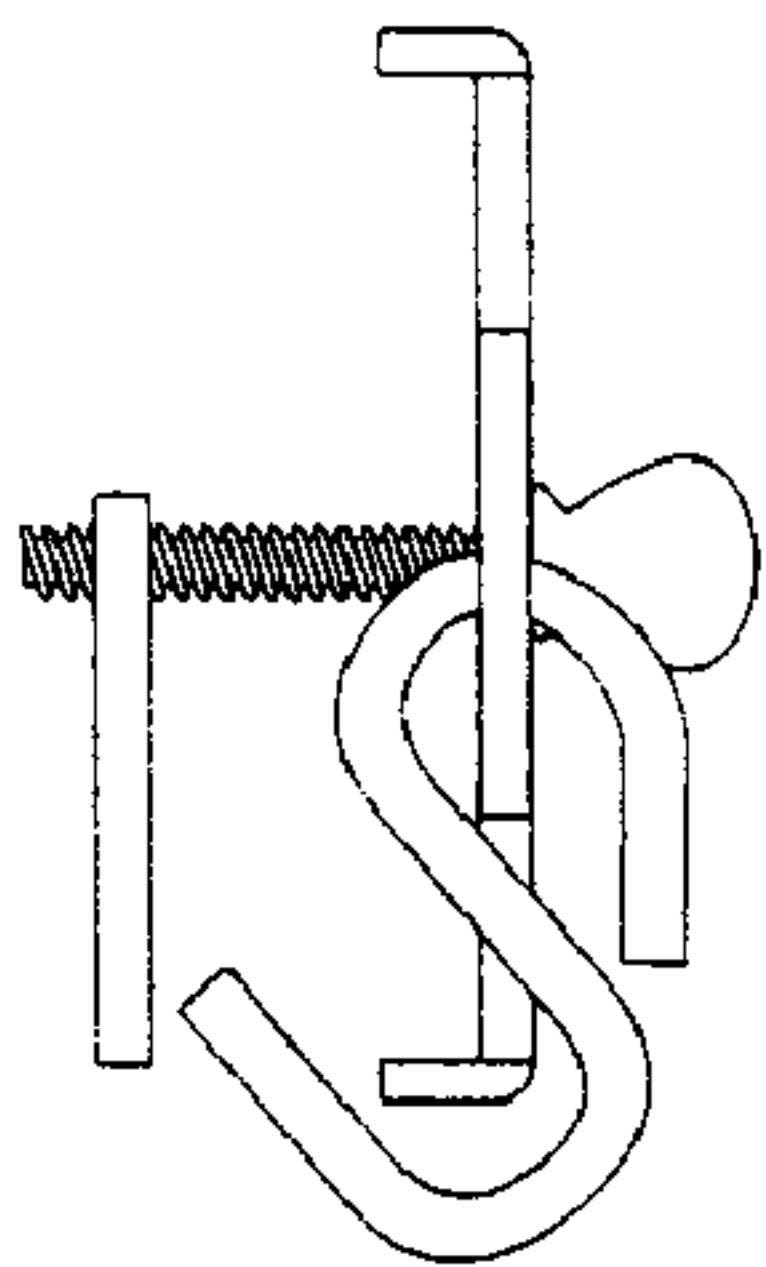


Fig-11

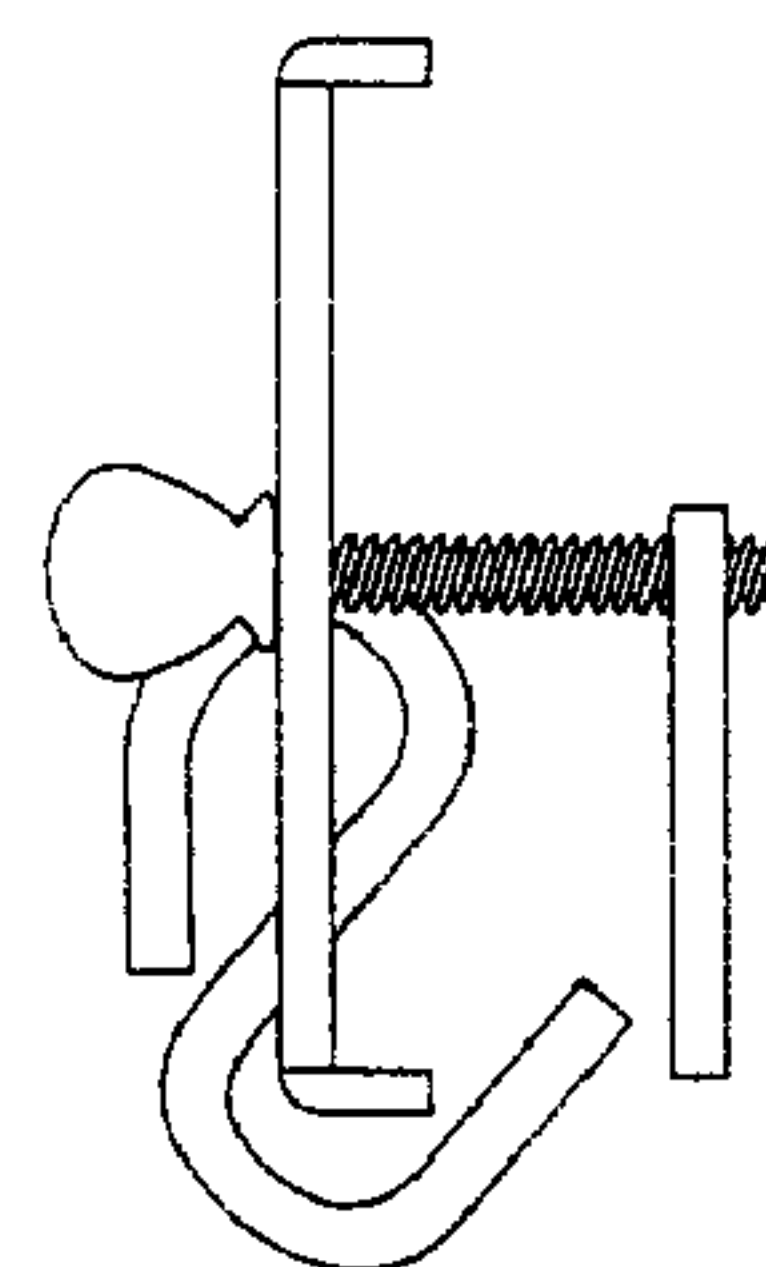


Fig-12

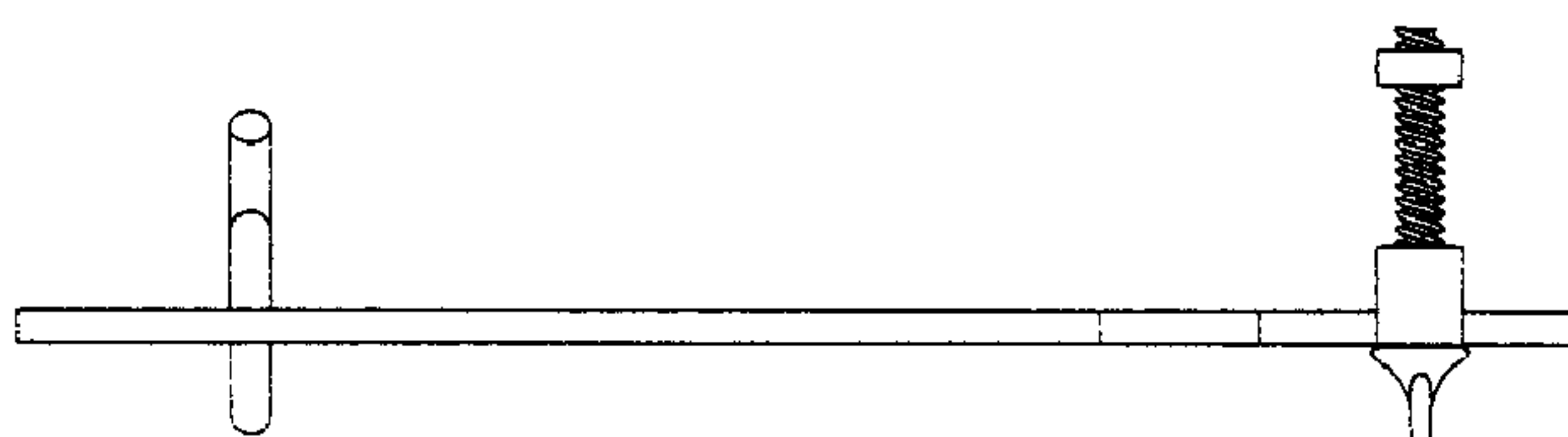


Fig-13

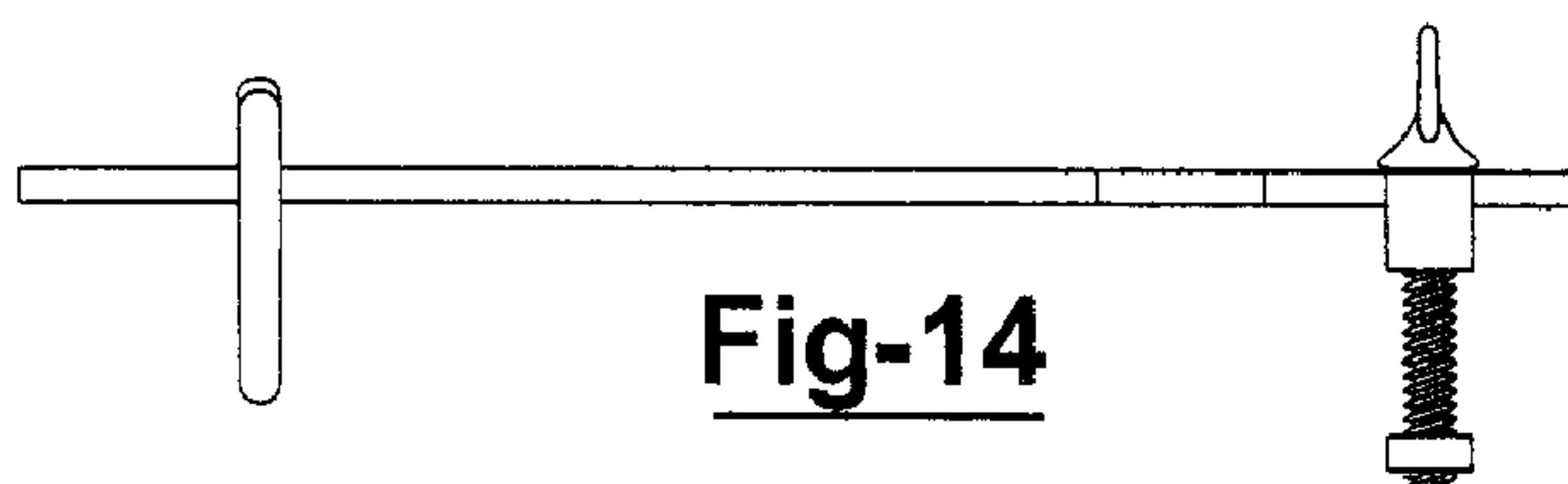


Fig-14