

US00D505614S

(12) **United States Design Patent** (10) **Patent No.:** **US D505,614 S**
Barrese (45) **Date of Patent:** **** May 31, 2005**

(54) **HOOK FOR SUPPORTING SHOWER CURTAIN AND SHOWER CURTAIN LINER**

(75) Inventor: **Charles Barrese**, Huntington, NY (US)

(73) Assignee: **Ex-Cell Home Fashions, Inc.**, New York, NY (US)

(**) Term: **14 Years**

(21) Appl. No.: **29/212,244**

(22) Filed: **Aug. 27, 2004**

(51) **LOC (7) Cl.** **08-05**

(52) **U.S. Cl.** **D8/367; D8/368**

(58) **Field of Search** **D8/367-368, 370; 160/39, 330; 16/87.2**

(56) **References Cited**

U.S. PATENT DOCUMENTS

1,049,971	A	*	1/1913	Appleby	248/303
1,172,937	A	*	2/1916	Butcher	211/113
2,653,658	A	*	9/1953	Wieczorek	160/330
2,986,768	A	*	6/1961	Perlmutter	16/87.2
3,636,587	A	*	1/1972	Hager et al.	16/87.2

* cited by examiner

Primary Examiner—Holly Baynham

(74) *Attorney, Agent, or Firm*—Robert L. Epstein; Epstein Drangel Bazerma & James, LLP

(57) **CLAIM**

The ornamental design for a hook for supporting shower curtain and shower curtain liner, as shown and described.

DESCRIPTION

FIG. 1 is a perspective view of a first preferred embodiment of the design of the hook of my invention, in its environ-

ment, showing a curtain rod, a portion of a shower curtain and a portion of a shower curtain liner in dashed lines, indicating that those items form no part of the present invention are for illustrative purposes only and;

FIG. 2 is a left side elevation view of the first preferred embodiment of the design of the hook of my invention;

FIG. 3 is a right side elevation view of the first preferred embodiment of the design of the hook of my invention;

FIG. 4 is a front elevation view of the first preferred embodiment of the design of my invention;

FIG. 5 is a rear elevation view of the first preferred embodiment of the design of the hook of my invention;

FIG. 6 is a top plan view of the first preferred embodiment of the design of the hook of my invention;

FIG. 7 is a bottom plan view of the first preferred embodiment of the design of my invention;

FIG. 8 is a prospective view of a second preferred embodiment of the design of the hook of my invention, in its environment, showing a curtain rod, a portion of a shower curtain and a portion of a shower curtain liner in dashed lines, indicating that those items form no part of the present invention are for illustrative purposes only and;

FIG. 9 is a left side elevation view of the second preferred embodiment of the design of my invention;

FIG. 10 is a right side elevation view of the second preferred embodiment of the design of the hook of my invention;

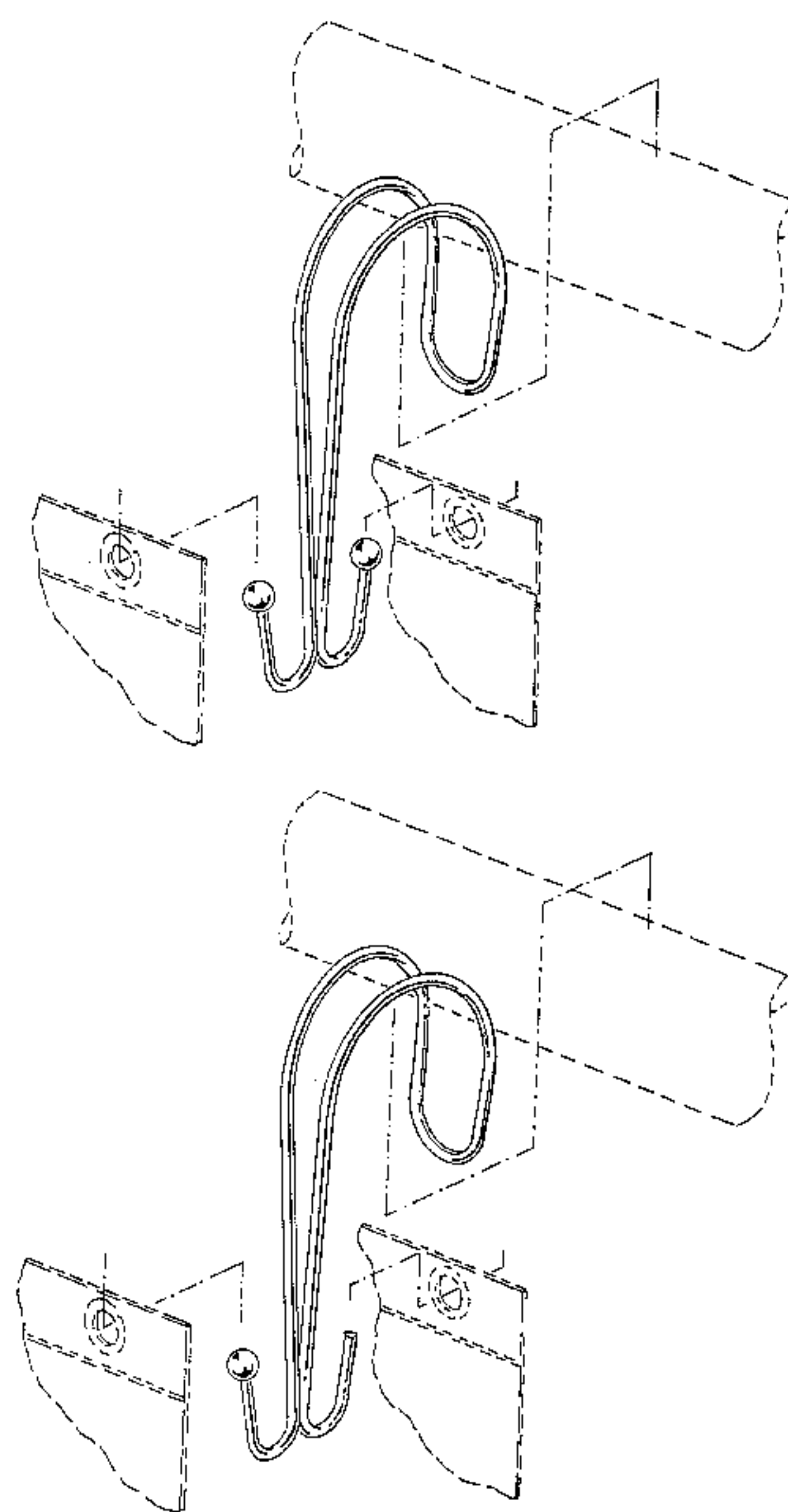
FIG. 11 is a front elevation view of the second preferred embodiment of the design of my invention;

FIG. 12 is a rear elevation view of the second preferred embodiment of the design of my invention;

FIG. 13 is a top plan view of the second preferred embodiment of the design of the hook of my invention; and,

FIG. 14 is a bottom plan view of the second preferred embodiment of the design of my invention.

1 Claim, 4 Drawing Sheets



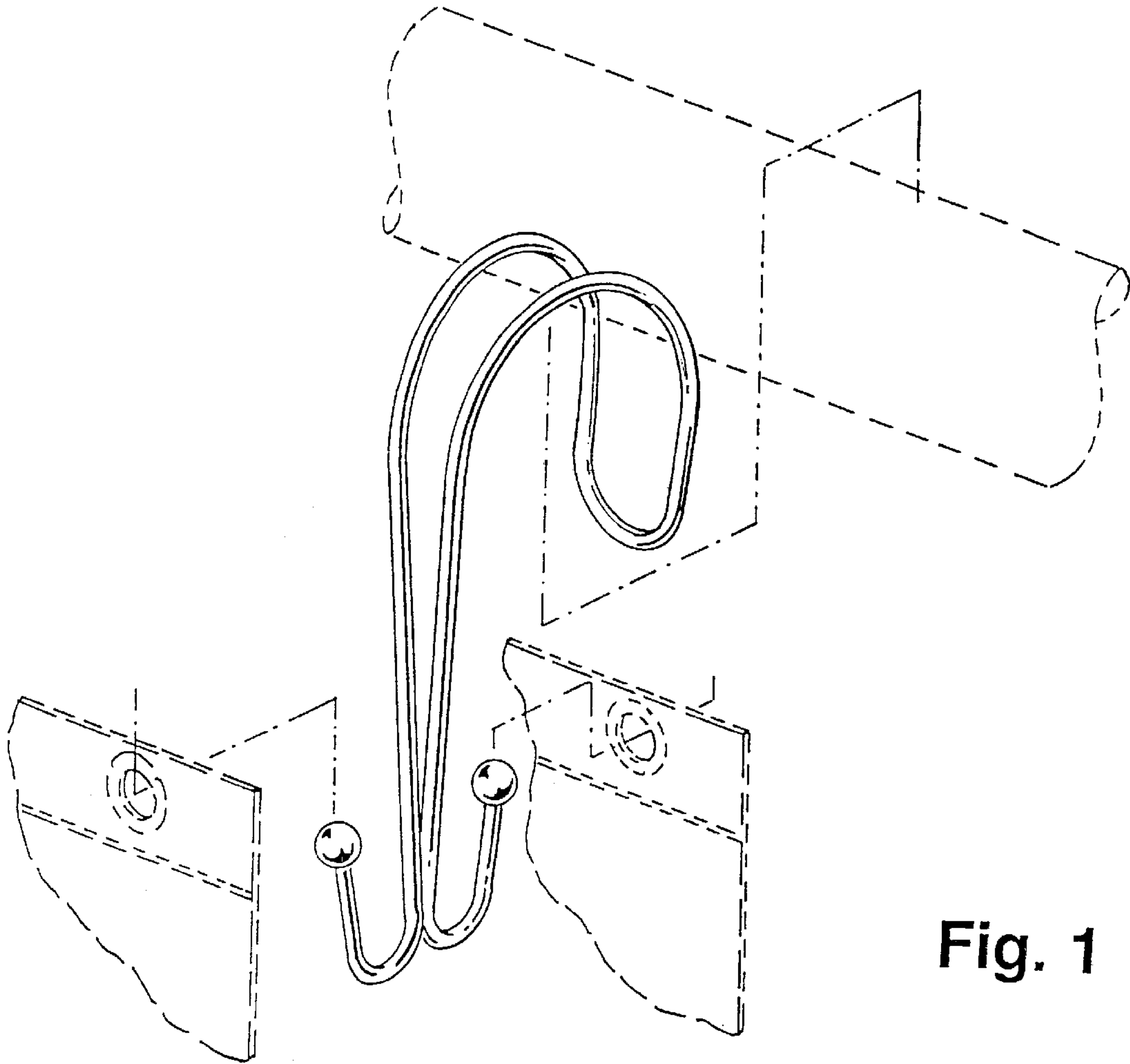


Fig. 1

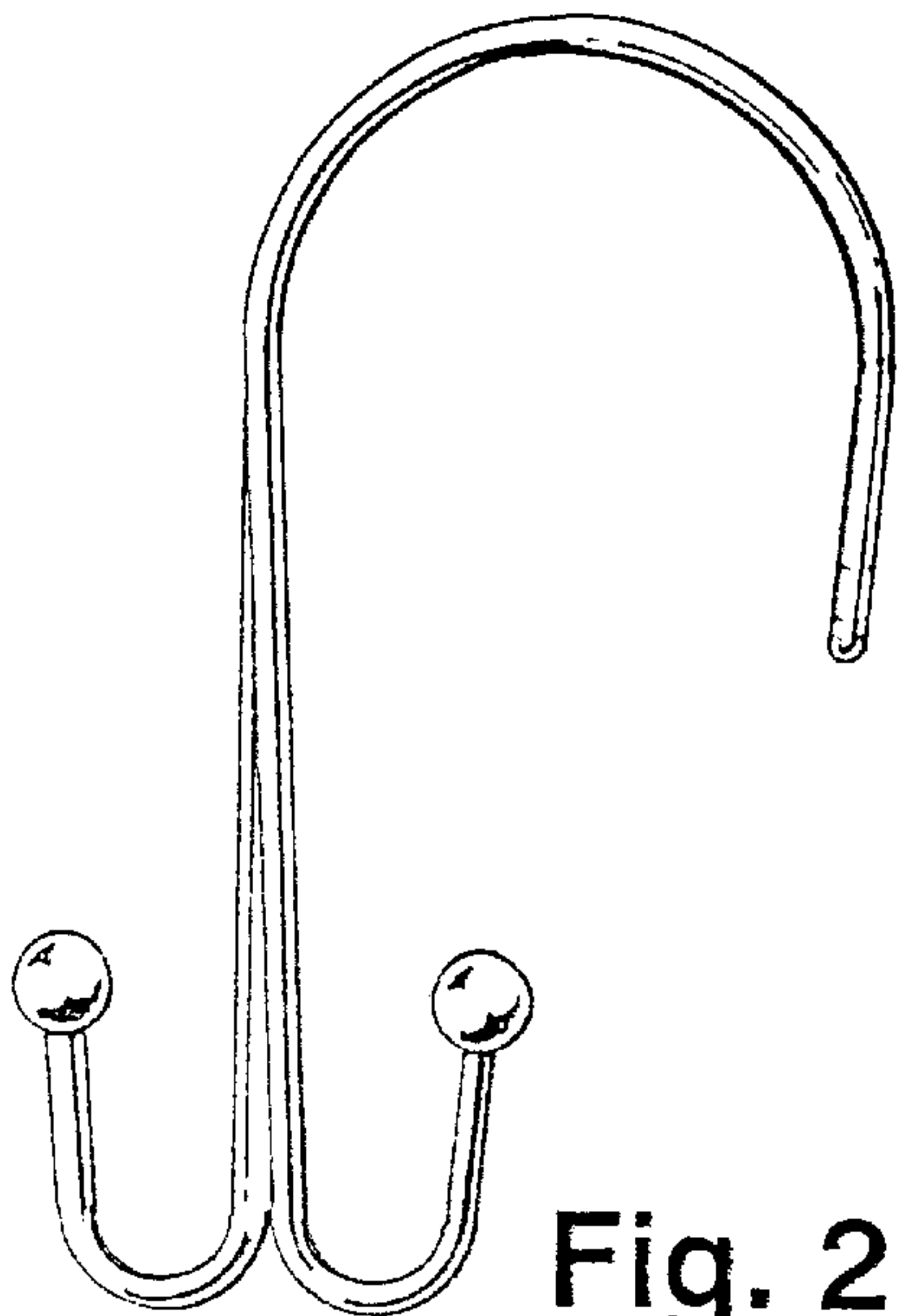


Fig. 2

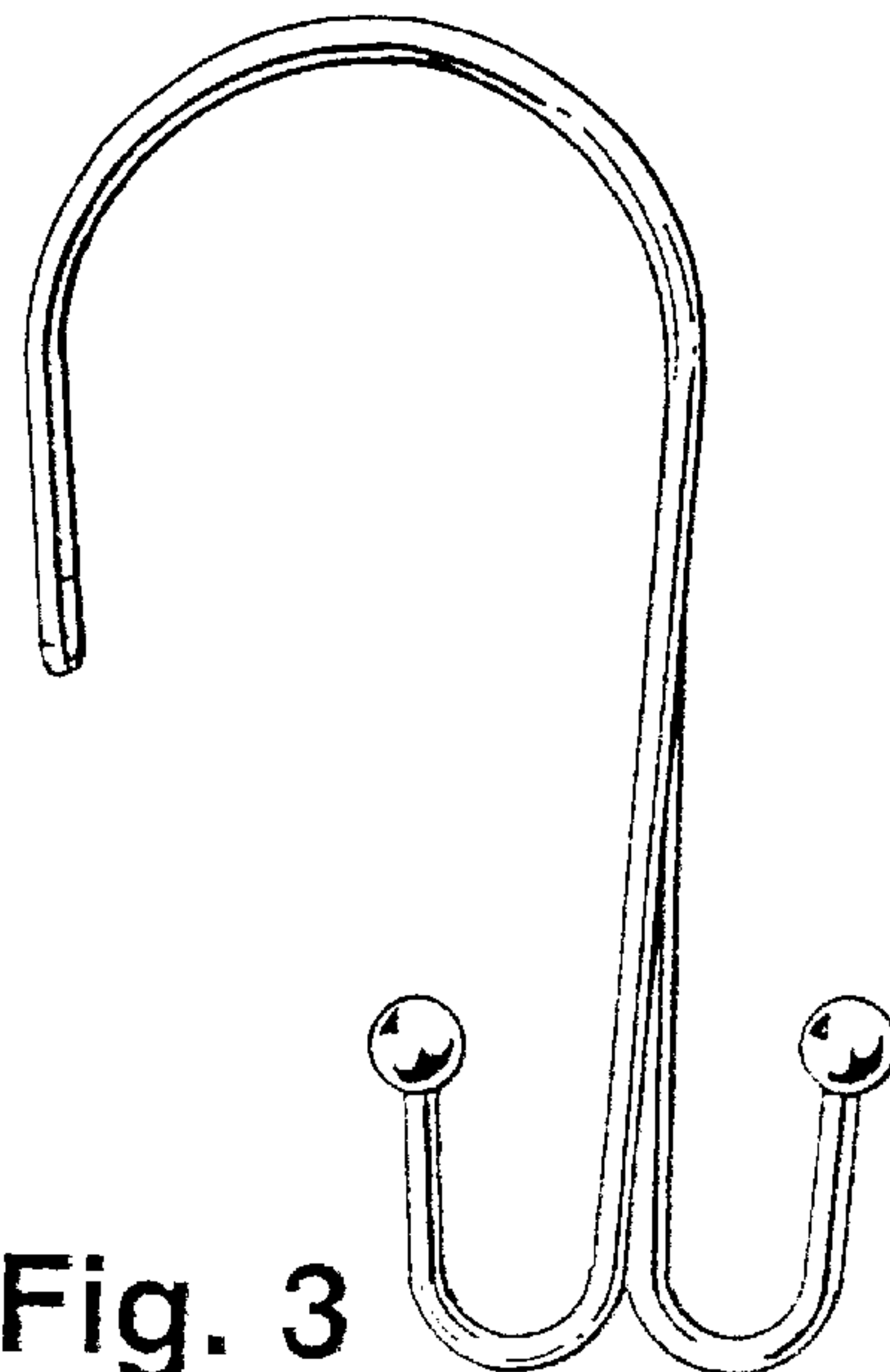


Fig. 3

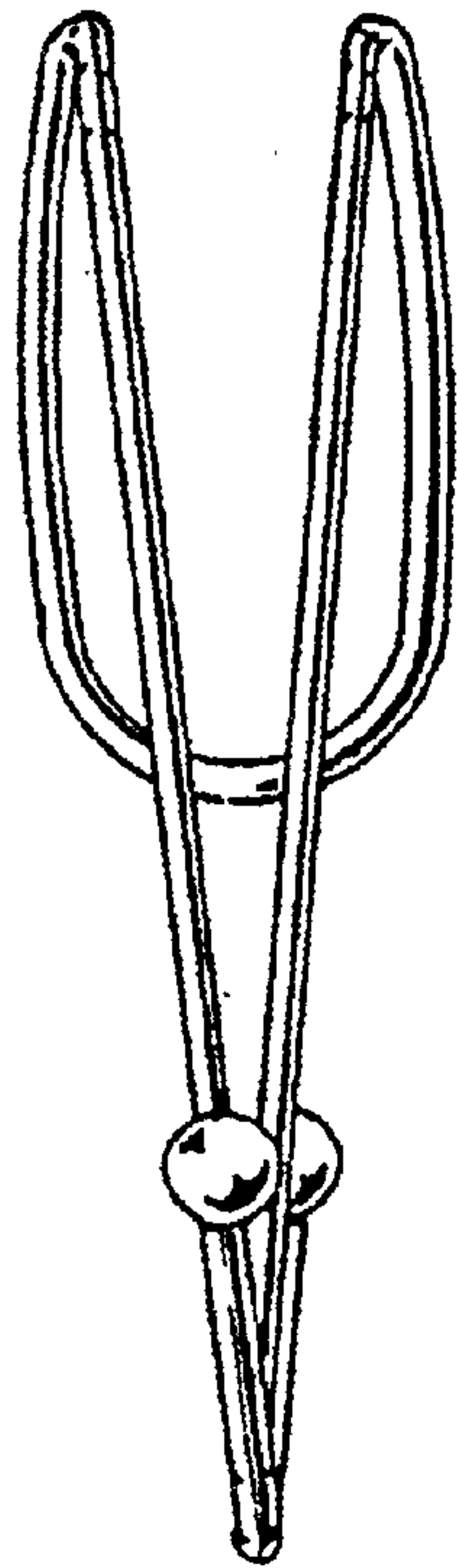


Fig. 4

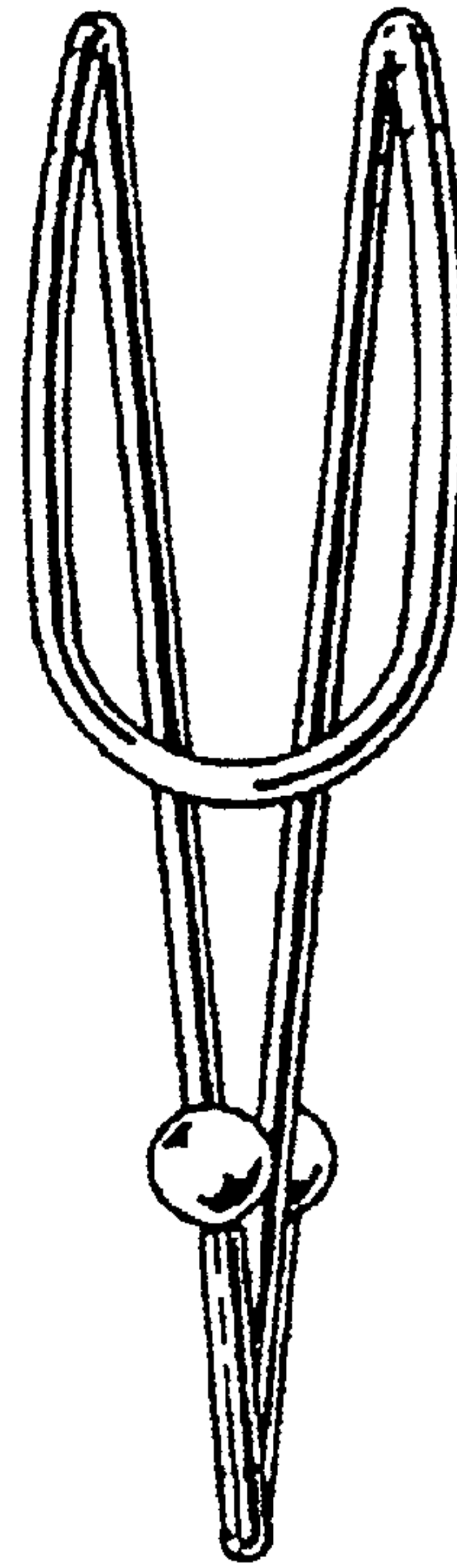


Fig. 5

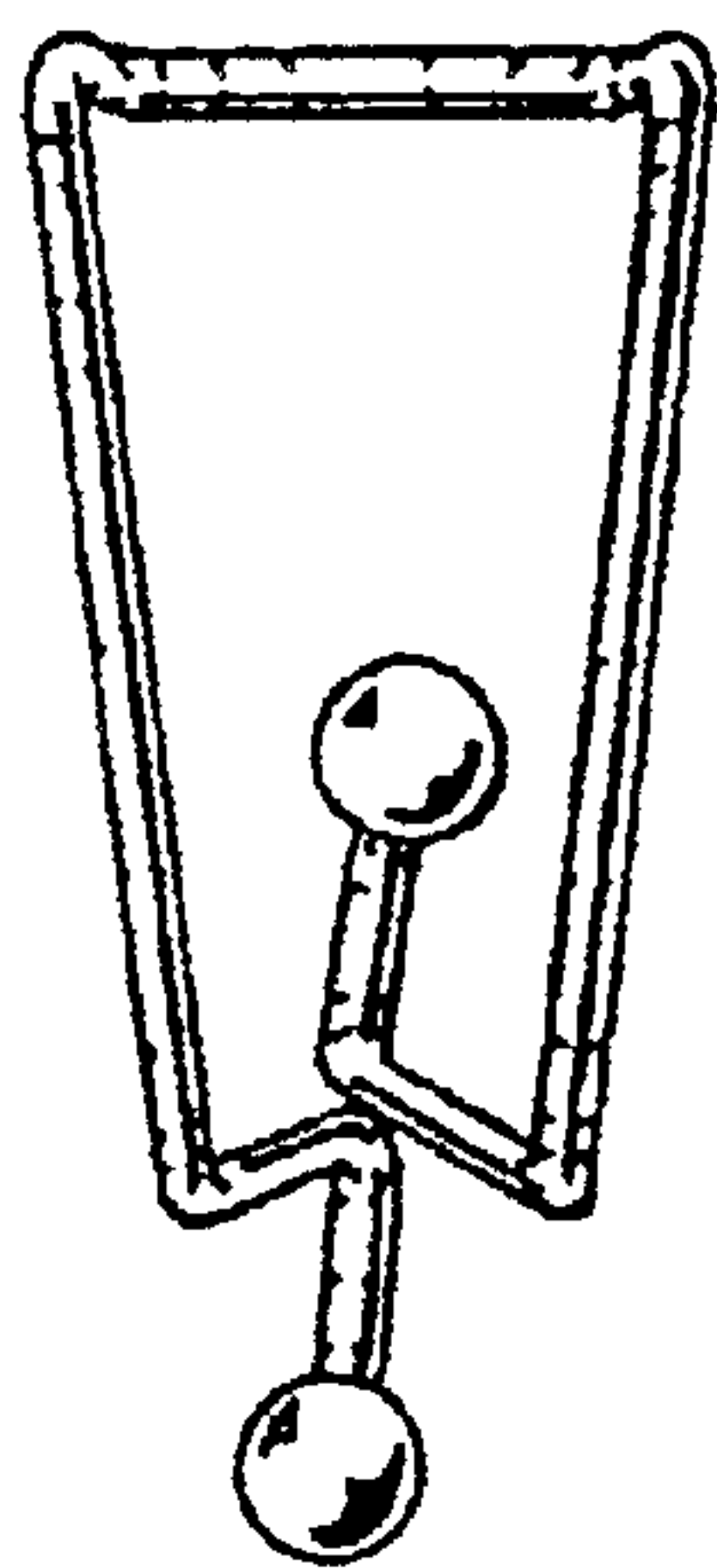


Fig. 6

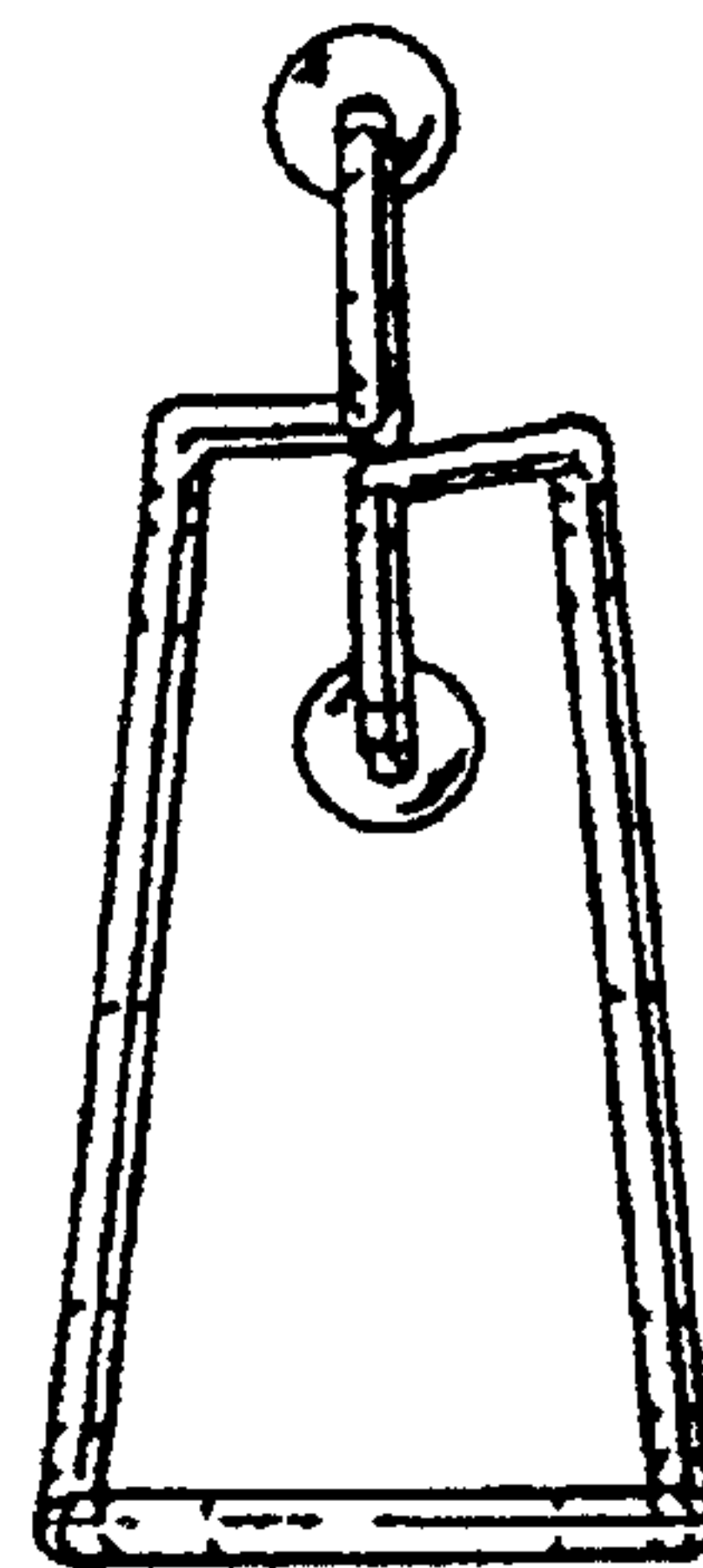


Fig. 7

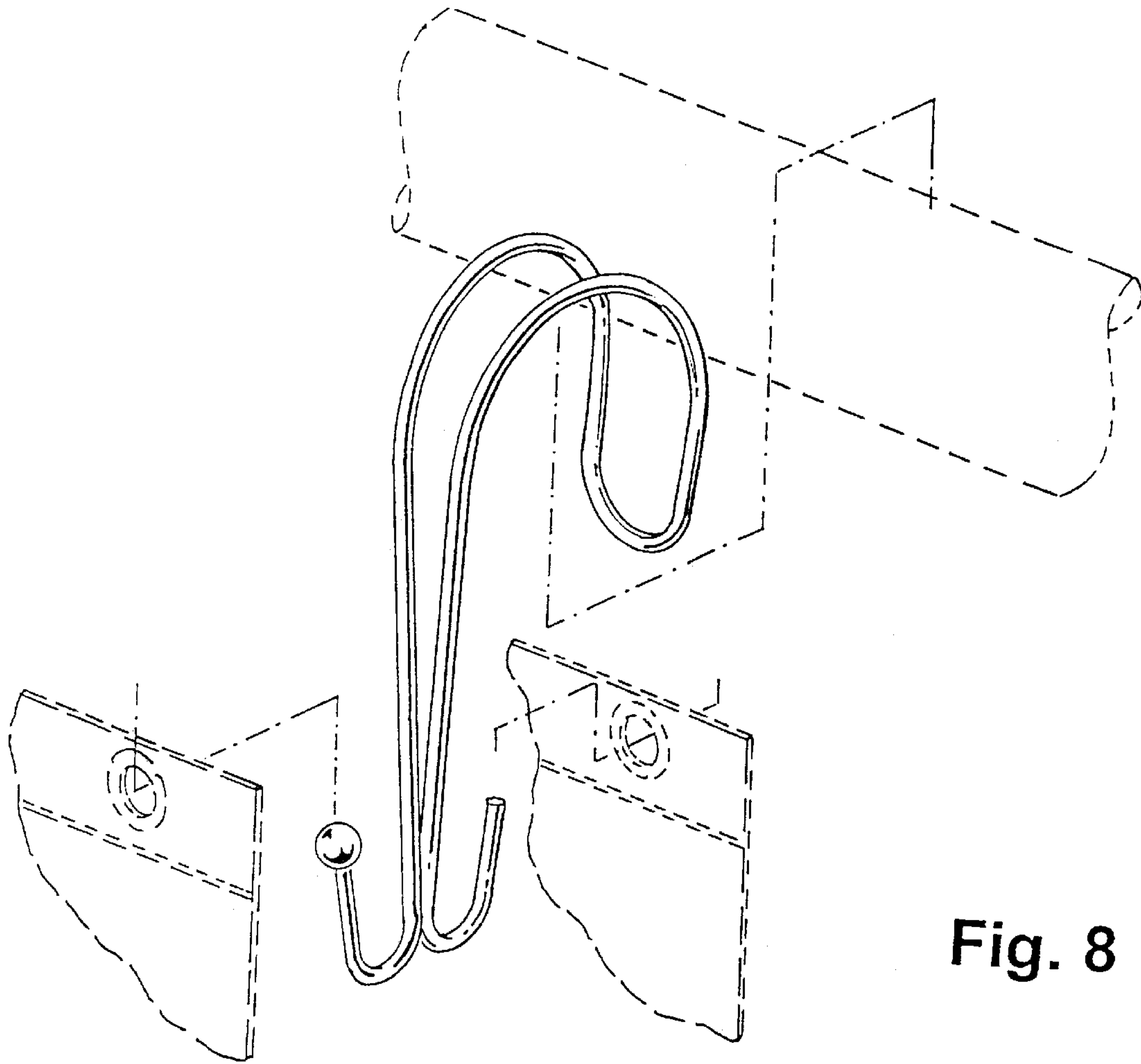


Fig. 8

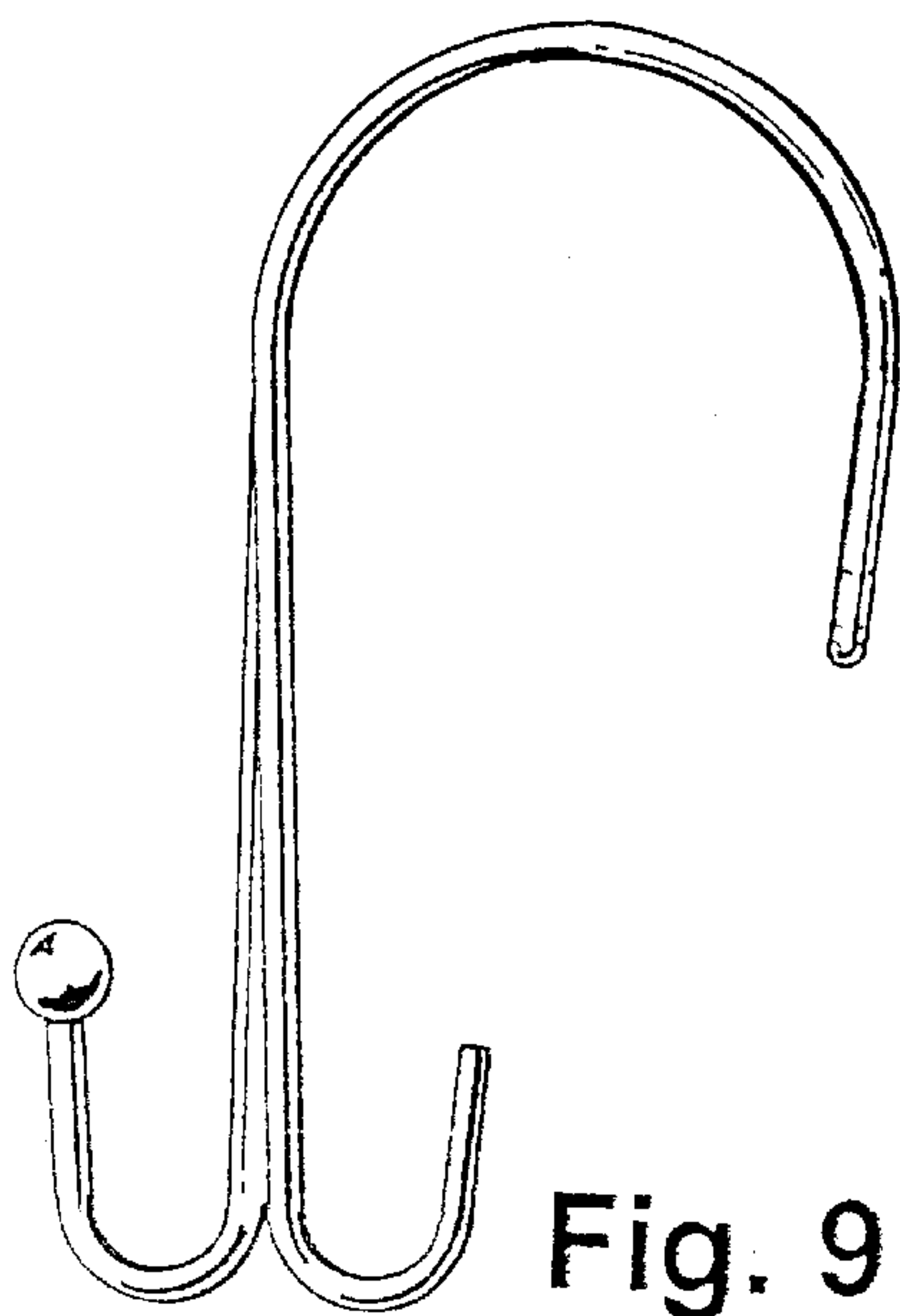


Fig. 9

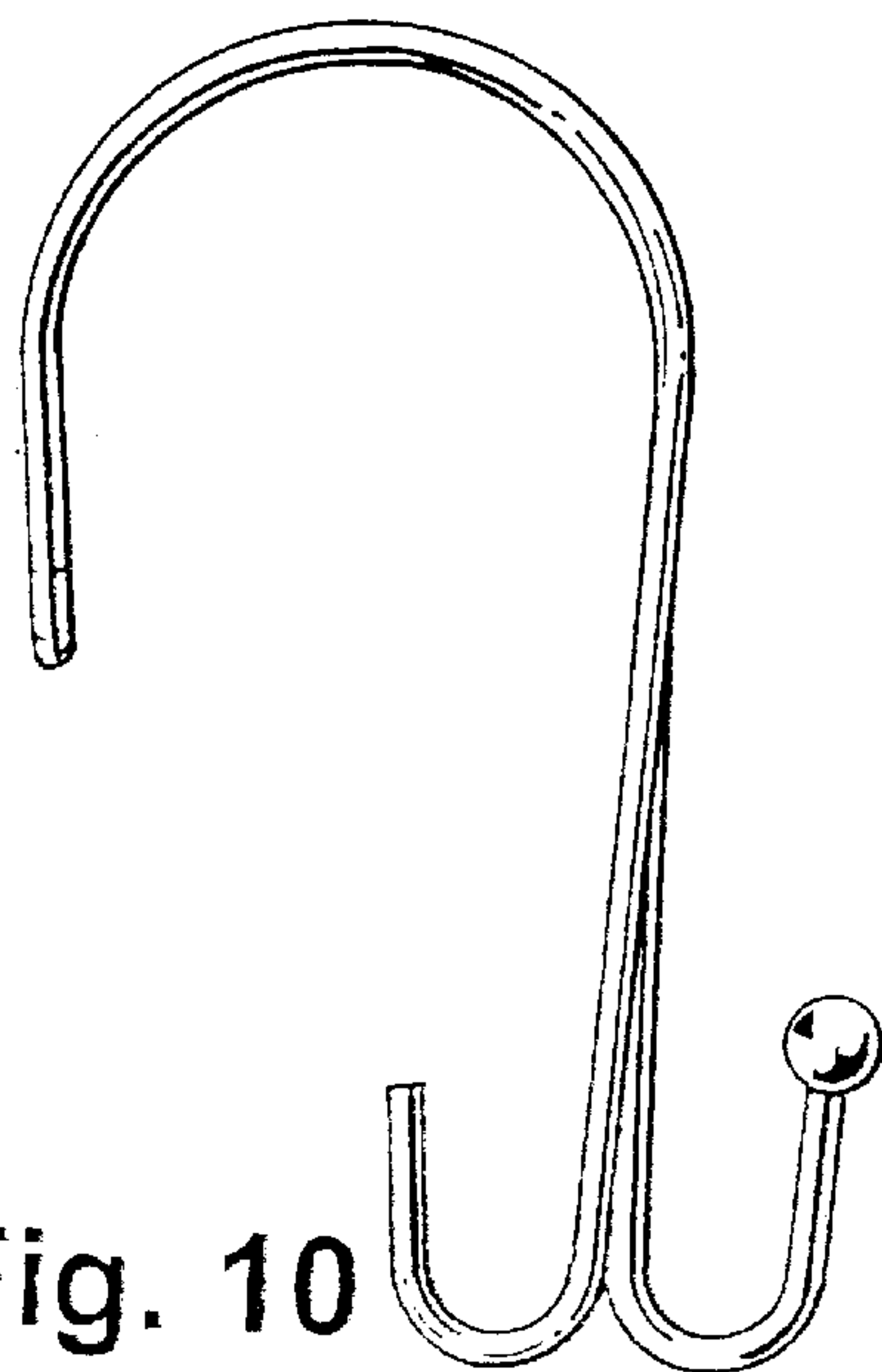


Fig. 10

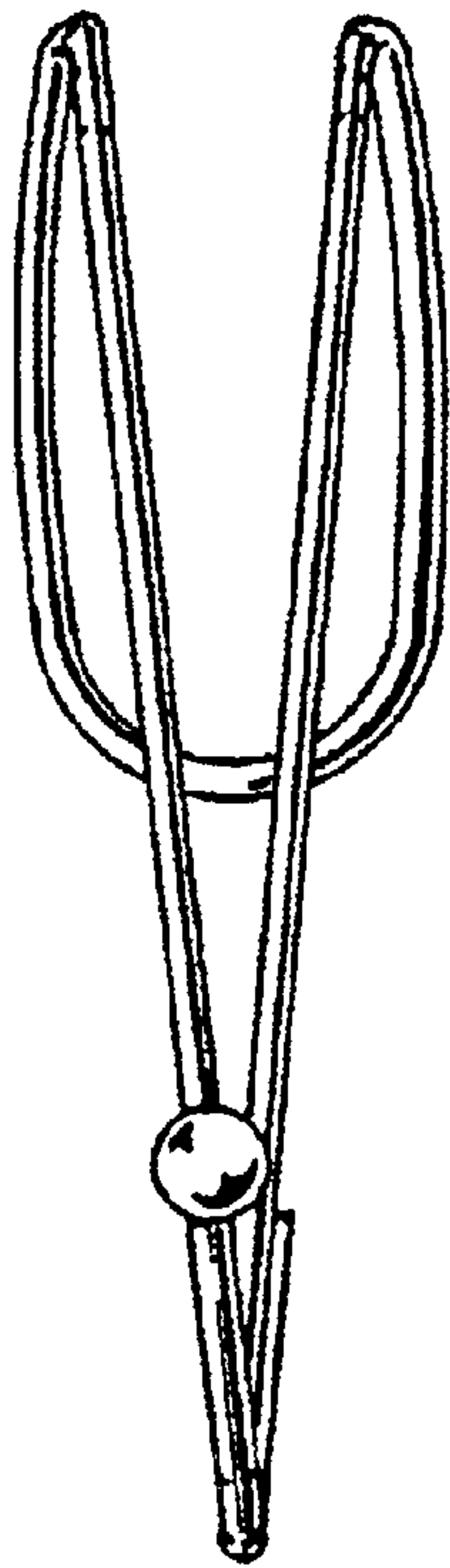


Fig. 11

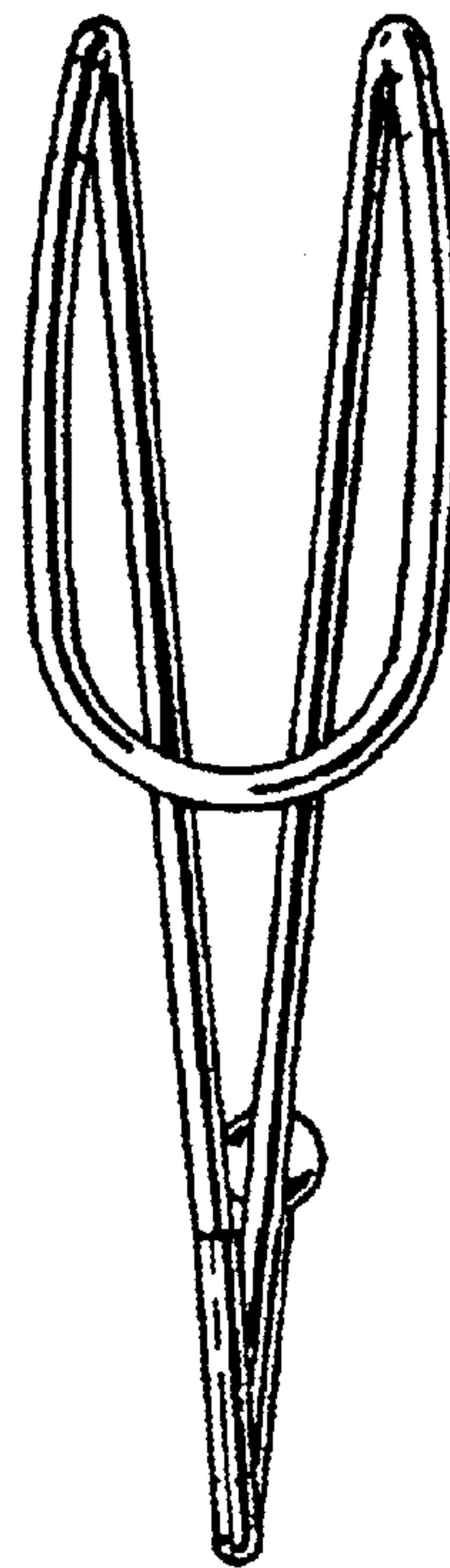


Fig. 12

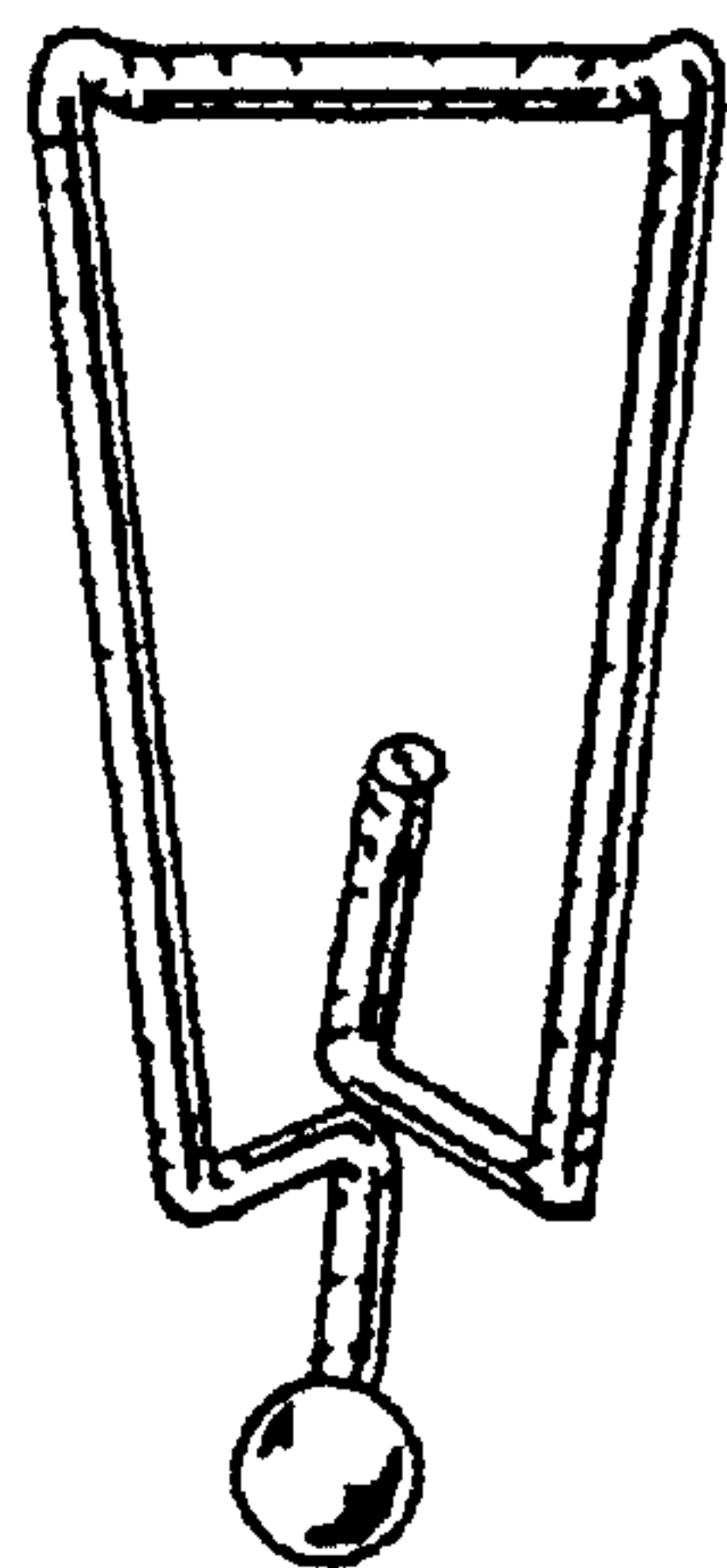


Fig. 13

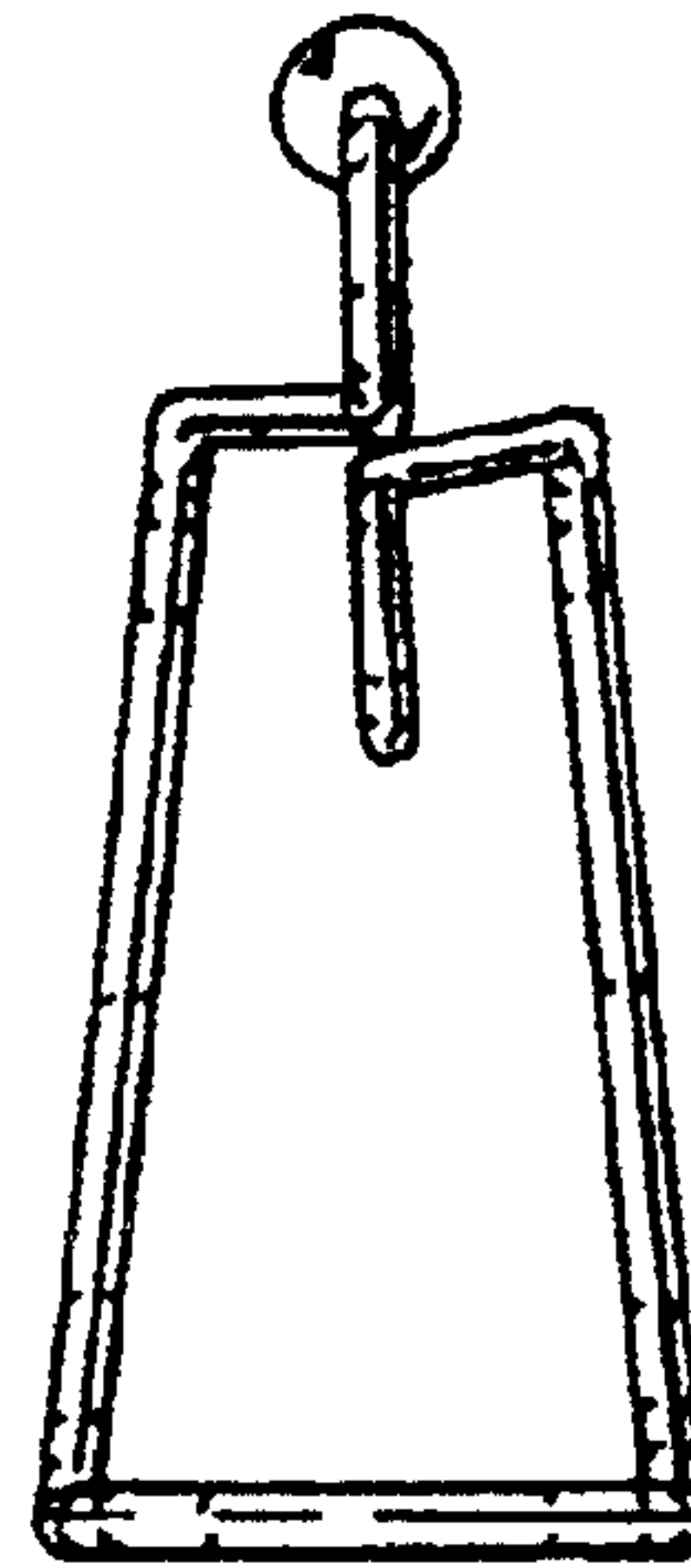


Fig. 14