

US00D505613S

(12) **United States Design Patent**
Sato

(10) **Patent No.:** **US D505,613 S**
(45) **Date of Patent:** **** May 31, 2005**

(54) **HOOK FOR SMALL ARTICLE**

(75) Inventor: **Genichi Sato**, Ageo (JP)

(73) Assignee: **Sugatsune Kogyo Co., Ltd.**, Tokyo (JP)

(**) Term: **14 Years**

(21) Appl. No.: **29/191,192**

(22) Filed: **Oct. 2, 2003**

(30) **Foreign Application Priority Data**

Apr. 9, 2003 (JP) 2003-009944

(51) **LOC (7) Cl.** **08-05**

(52) **U.S. Cl.** **D8/367**

(58) **Field of Search** D8/367, 373, 363;
D6/323; 248/301-304, 217.3, 339, 214-215

(56) **References Cited**

U.S. PATENT DOCUMENTS

D320,119 S * 9/1991 Chap et al. D6/323
D321,794 S * 11/1991 Chap et al. D6/323
6,126,126 A * 10/2000 McKiernan, Jr. 248/217.3

* cited by examiner

Primary Examiner—Holly Baynham
(74) *Attorney, Agent, or Firm*—Osha & May L.L.P.

(57) **CLAIM**

The ornamental design for a hook for small article, as shown and described.

DESCRIPTION

FIG. 1 shows a top plan view of the design according to an embodiment of the invention.

FIG. 2 shows a front view of the design according to an embodiment of the invention.

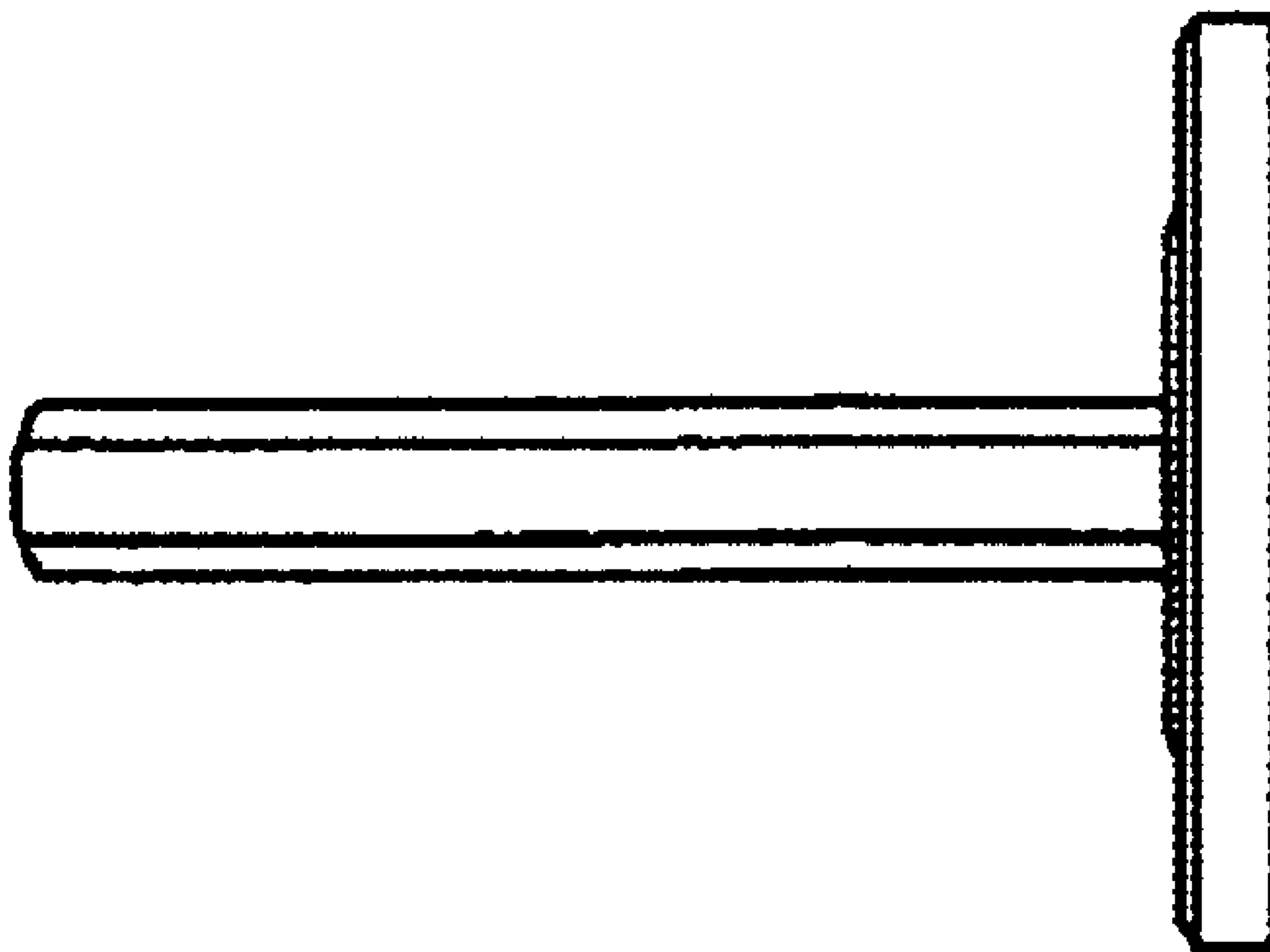
FIG. 3 shows a right side view of the design according to an embodiment of the invention.

FIG. 4 shows a left side view of the design according to an embodiment of the invention; and,

FIG. 5 shows a sectional view of the design according to an embodiment of the invention taken along the line 5—5 as shown in FIG. 2.

The bottom plan view is a mirror image of the top plan view as shown in FIG. 1. The rear view is a mirror image of the front view as shown in FIG. 2.

1 Claim, 1 Drawing Sheet



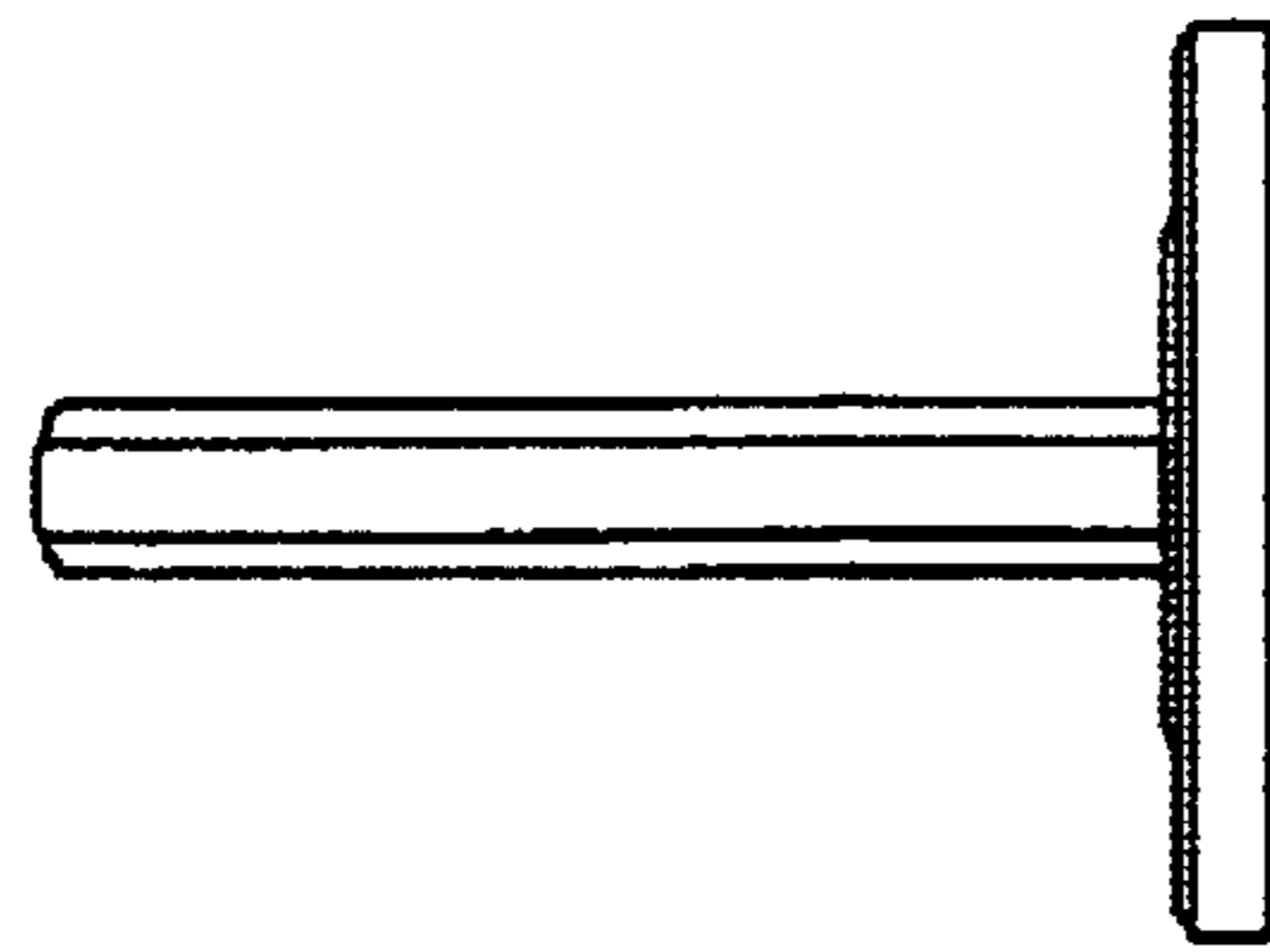


FIG. 1

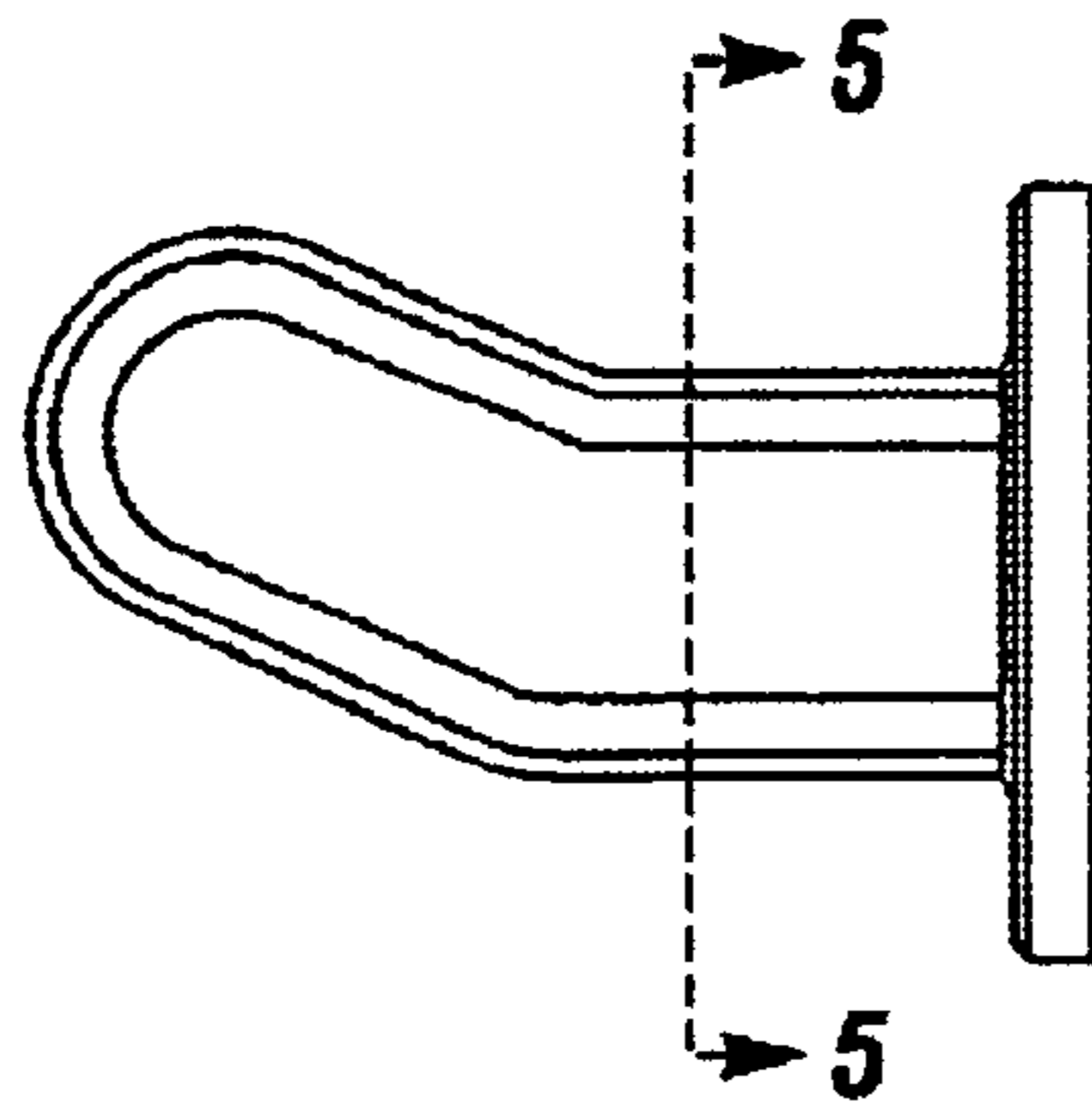


FIG. 2

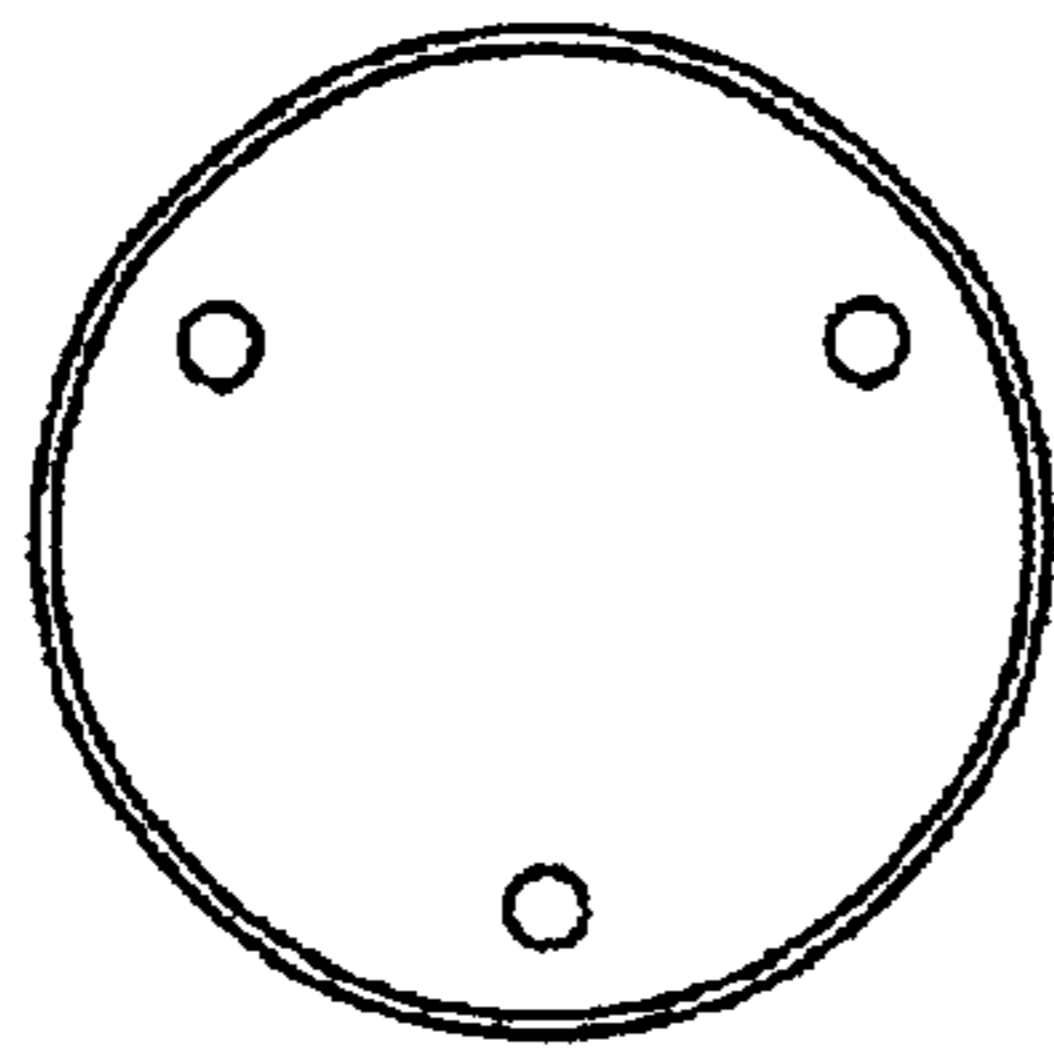


FIG. 3

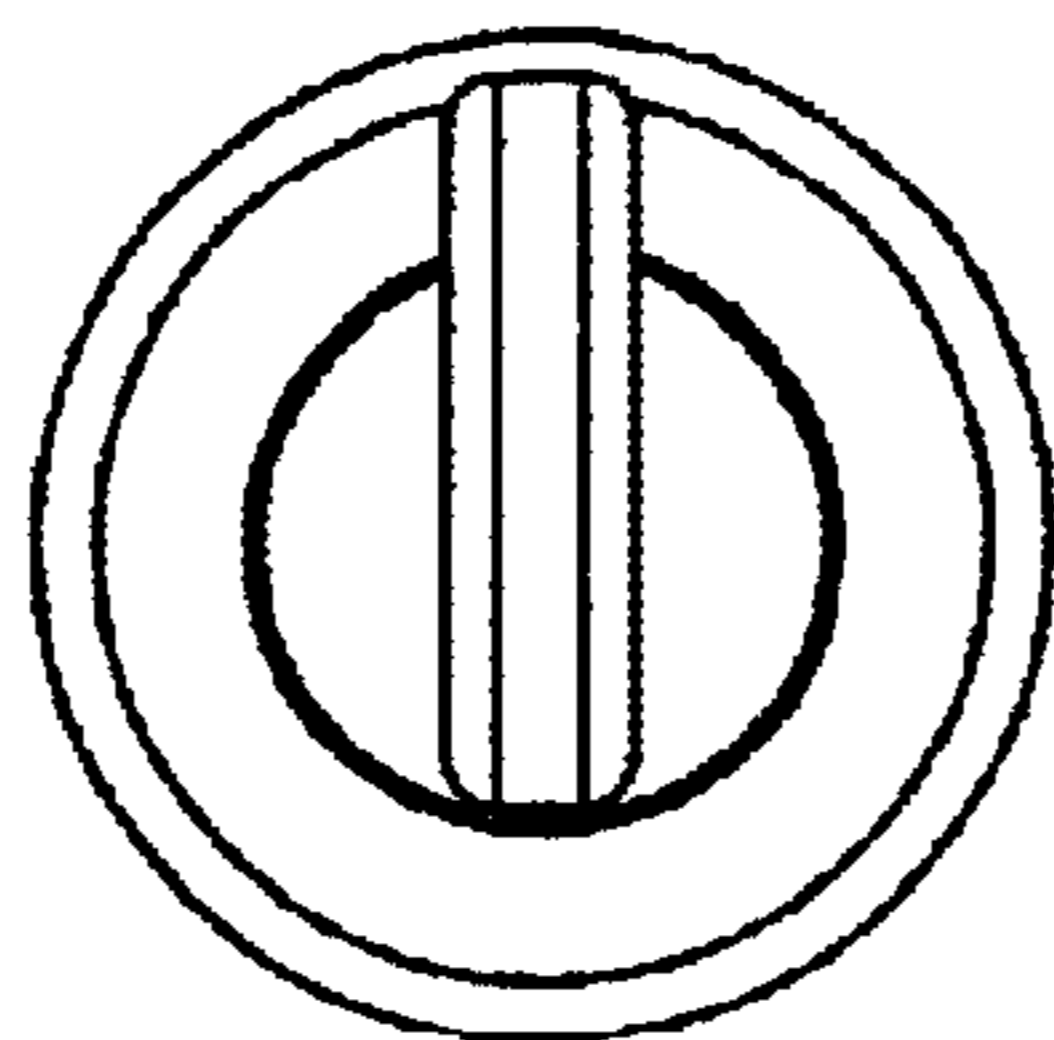


FIG. 4

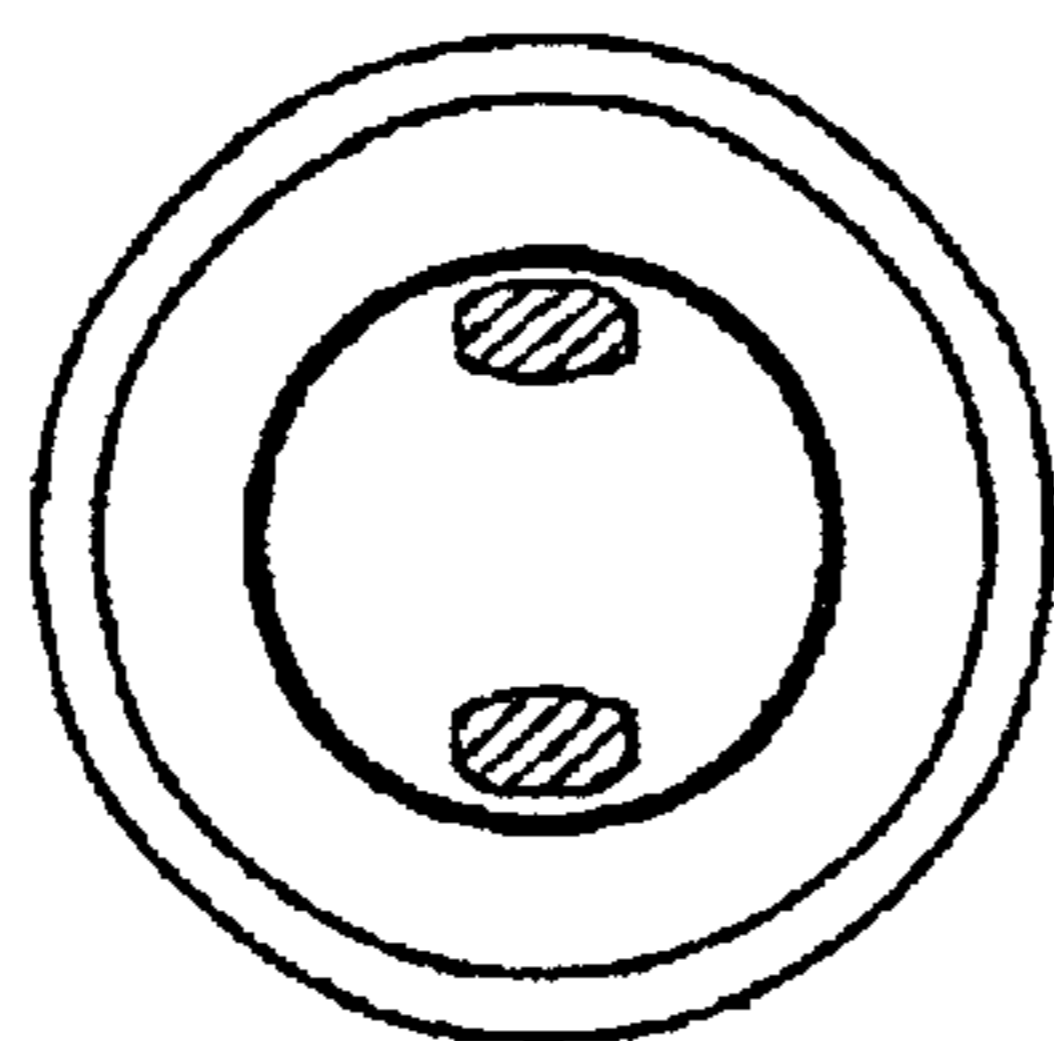


FIG. 5