



US00D505608S

(12) **United States Design Patent** (10) **Patent No.:** **US D505,608 S**
Arai et al. (45) **Date of Patent:** **** May 31, 2005**

(54) **PNEUMATIC NAILING MACHINE**

(75) Inventors: **Masakazu Arai, Tokyo (JP); Tatsushi Ogawa, Tokyo (JP)**

(73) Assignee: **Max Co., Ltd., Tokyo (JP)**

(**) Term: **14 Years**

(21) Appl. No.: **29/200,665**

(22) Filed: **Mar. 4, 2004**

(30) **Foreign Application Priority Data**

Sep. 24, 2003 (JP) 2003-027757

(51) **LOC (7) Cl.** **08-05**

(52) **U.S. Cl.** **D8/68; D8/69**

(58) **Field of Search** D8/14.1, 61, 62, D8/63, 64, 65, 66, 67, 68, 69, 70; 81/57.11, 429, 464, 465, 466, 469, 489; 173/13, 169, 178, 213, 217; 227/8, 114, 120, 130, 136, 142; 310/50; 408/20, 124, 125, 234, 241 R; 451/358

(56) **References Cited**

U.S. PATENT DOCUMENTS

- D334,329 S * 3/1993 Ogawa et al. D8/68
- D337,252 S * 7/1993 Tsuru et al. D8/69
- D358,749 S * 5/1995 Matsunaga et al. D8/69
- D368,216 S * 3/1996 Hattori D8/68
- D377,592 S * 1/1997 Hattori D8/69
- D387,260 S * 12/1997 Hattori D8/69
- 5,715,982 A * 2/1998 Adachi 227/8
- D392,170 S * 3/1998 Hattori D8/61
- 5,772,096 A * 6/1998 Osuka et al. 227/130
- D403,938 S * 1/1999 Matsuoka et al. D8/68
- 5,862,970 A * 1/1999 Cougar 227/130

- 5,878,936 A * 3/1999 Adachi et al. 227/130
- D421,884 S * 3/2000 Hattori D8/69
- D435,205 S * 12/2000 Etter et al. D8/68
- 6,161,744 A * 12/2000 Mukoyama et al. 227/130
- D438,079 S * 2/2001 Hattori D8/69
- D466,781 S * 12/2002 Matsuoka et al. D8/69
- D474,386 S * 5/2003 Arai D8/68
- D477,514 S * 7/2003 Chen D8/68
- D491,035 S * 6/2004 Buck D8/68
- 2004/0011845 A1 * 1/2004 Walter 227/120

FOREIGN PATENT DOCUMENTS

JP 971629 S 1/1997

* cited by examiner

Primary Examiner—Gary D. Watson

Assistant Examiner—T. Chase Nelson

(74) *Attorney, Agent, or Firm*—Morgan Lewis & Bockius LLP

(57) **CLAIM**

The ornamental design for a pneumatic nailing machine, as shown and described.

DESCRIPTION

FIG. 1 is a perspective view of front, top and left side of a pneumatic nailing machine showing our new design;
 FIG. 2 is a front view thereof;
 FIG. 3 is a rear view thereof;
 FIG. 4 is a top plan view thereof;
 FIG. 5 is a bottom view thereof;
 FIG. 6 is a left side view thereof;
 FIG. 7 is a right side view thereof; and,
 FIG. 8 is a perspective view of front, bottom and left side thereof in the condition of the magazine being opened.

1 Claim, 6 Drawing Sheets

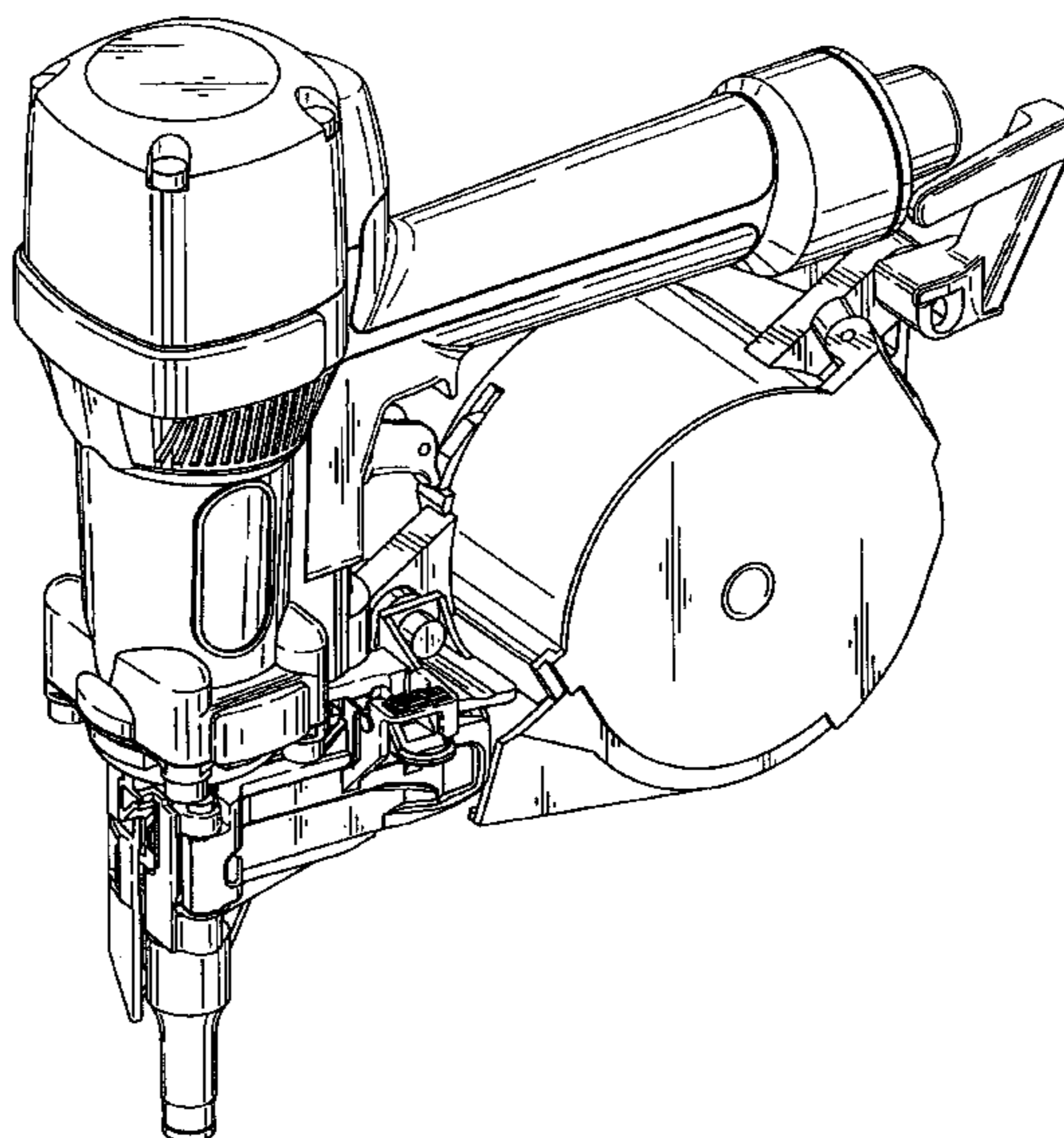


FIG. 1

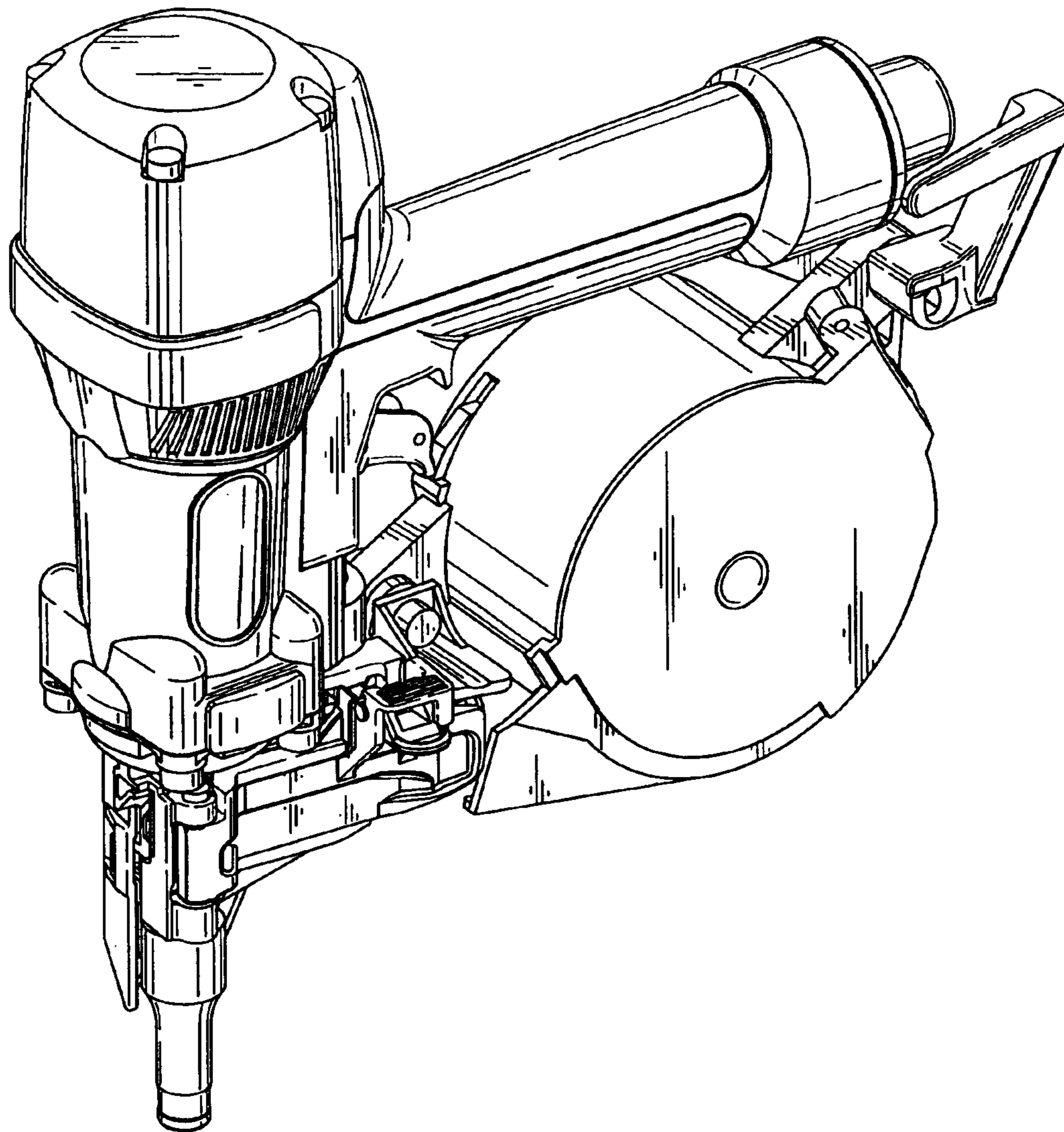


FIG. 2

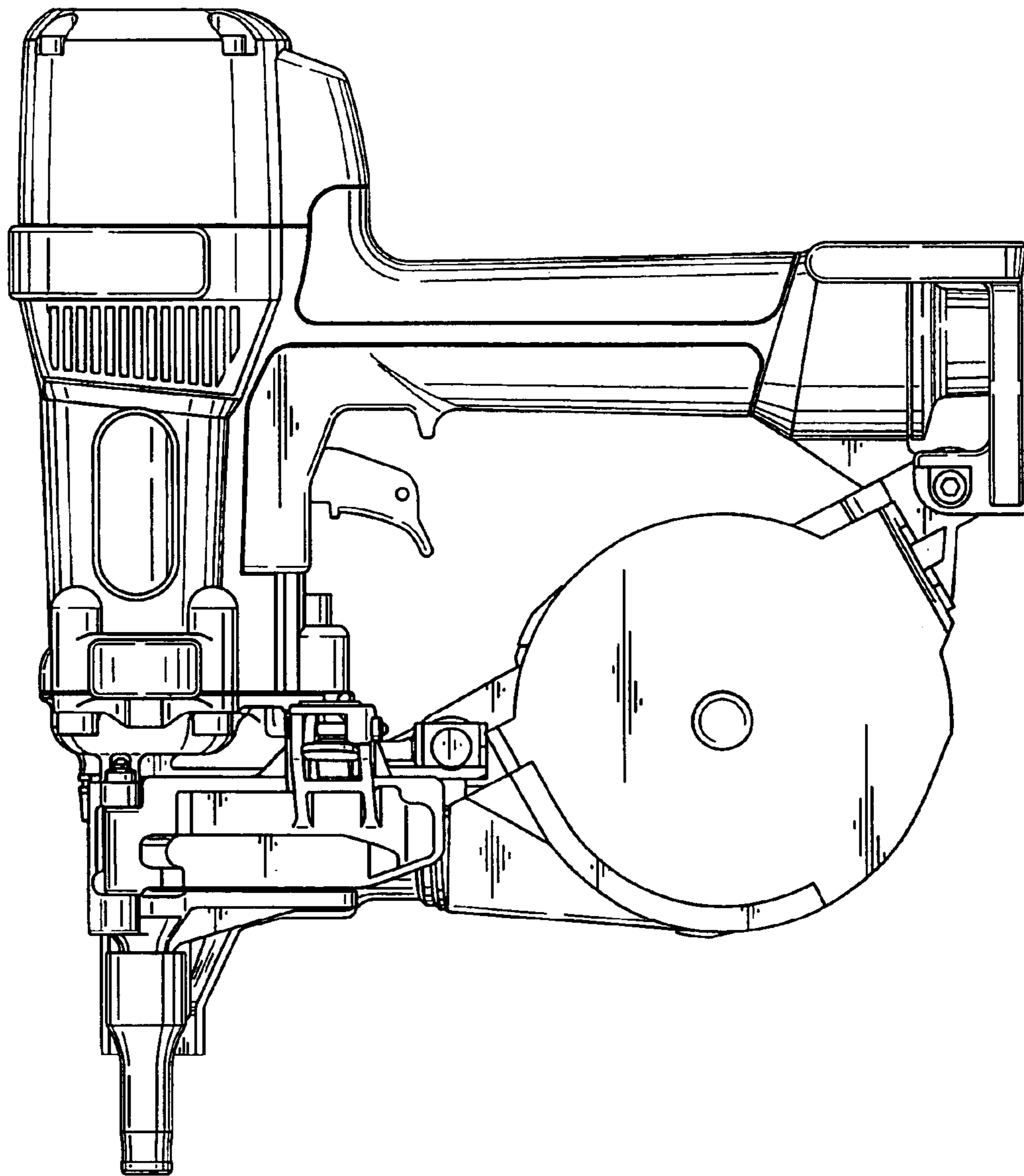


FIG. 3

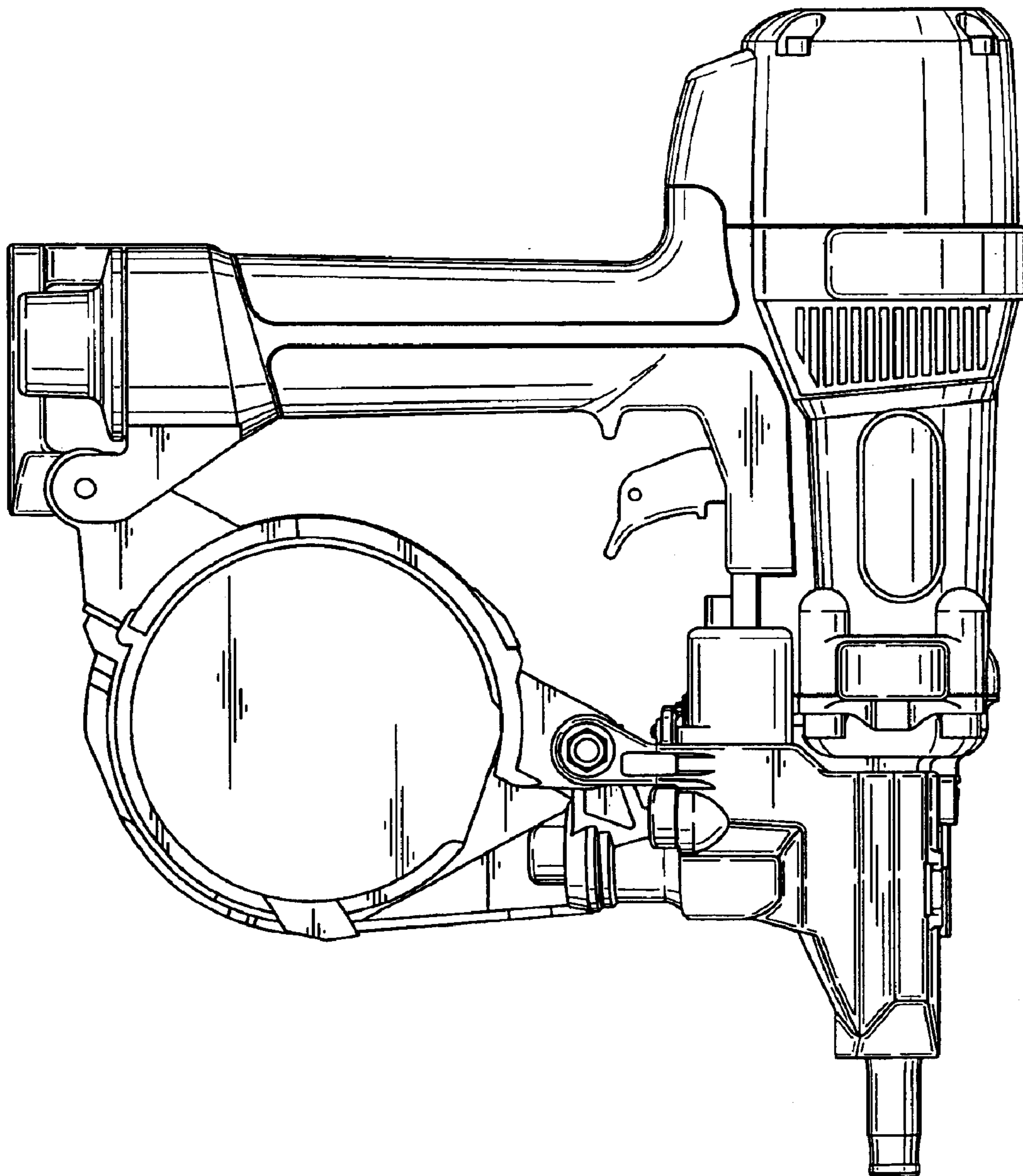


FIG. 4

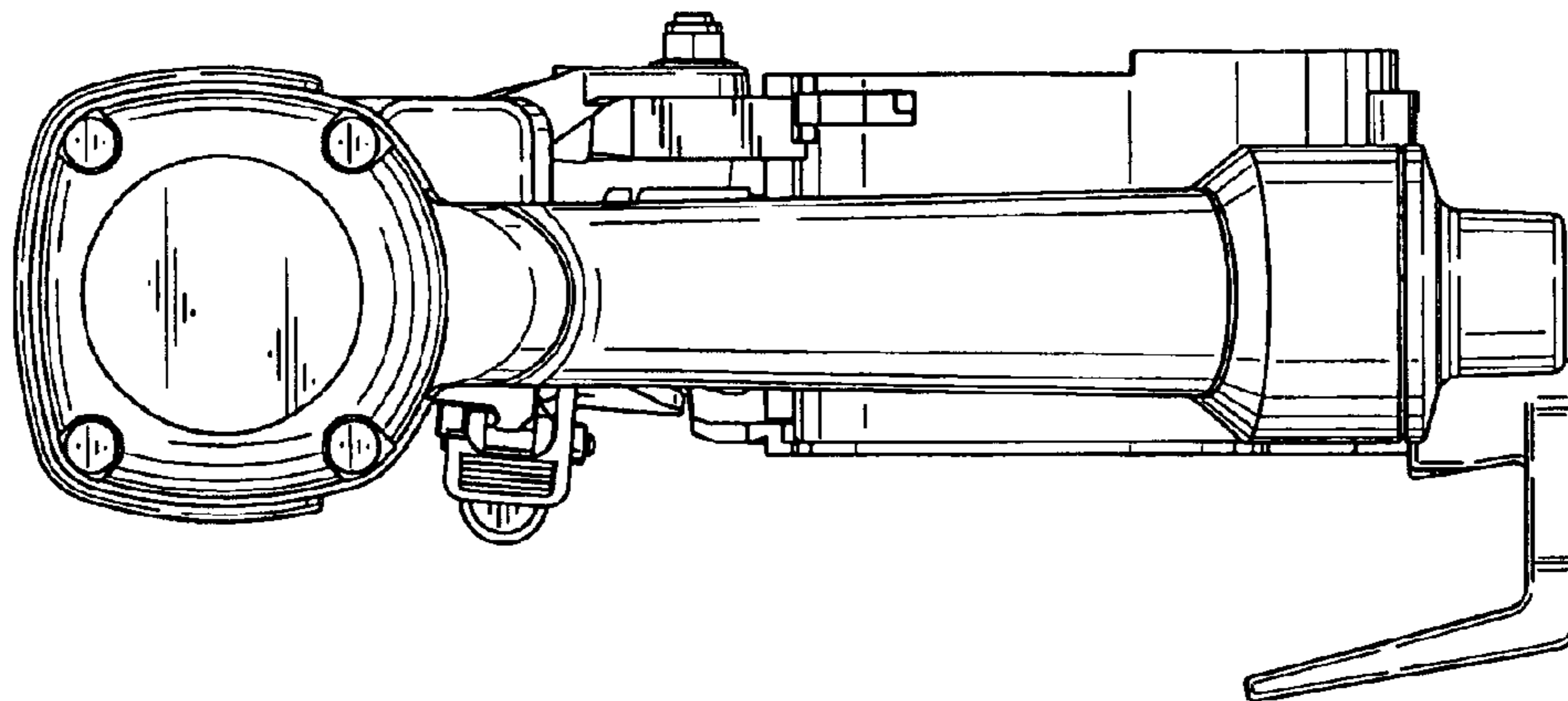


FIG. 5

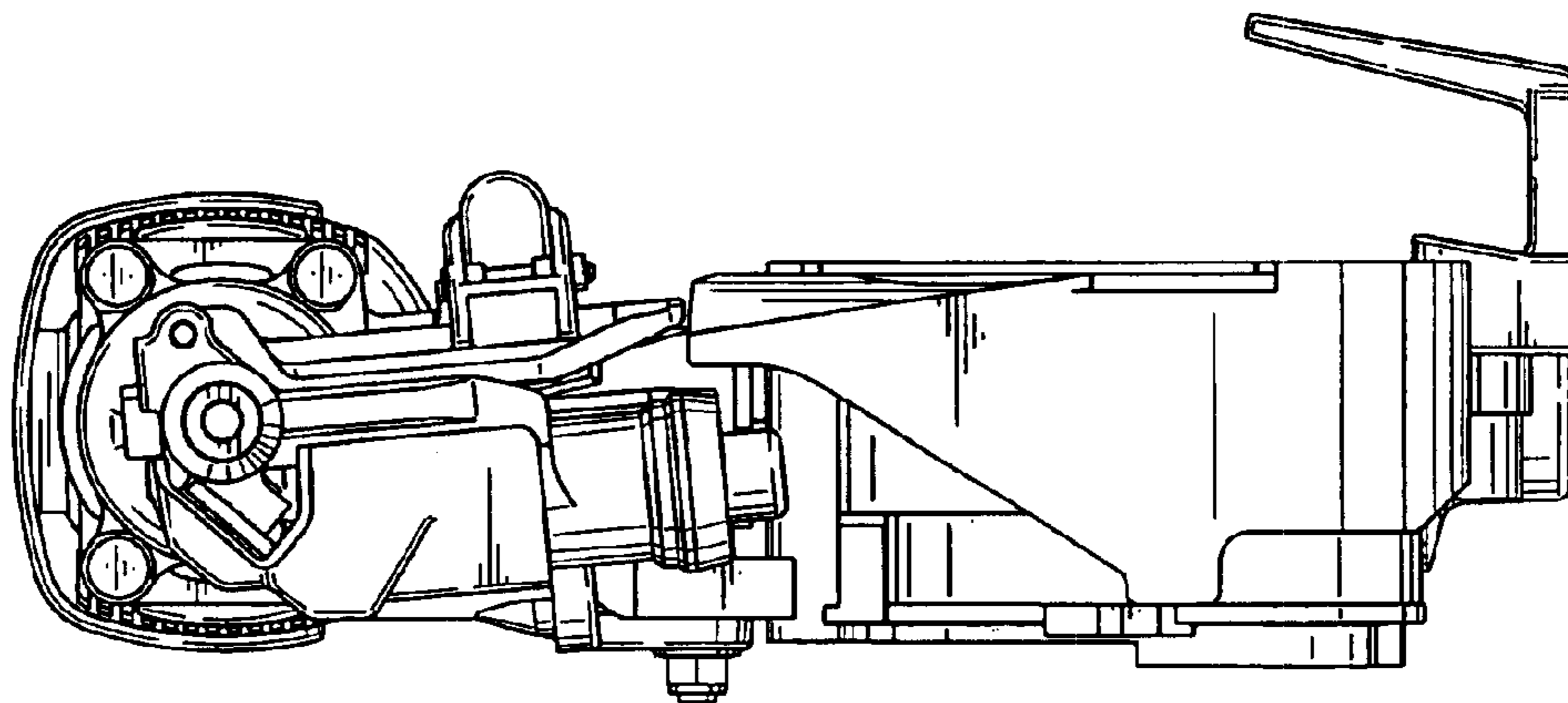


FIG. 6

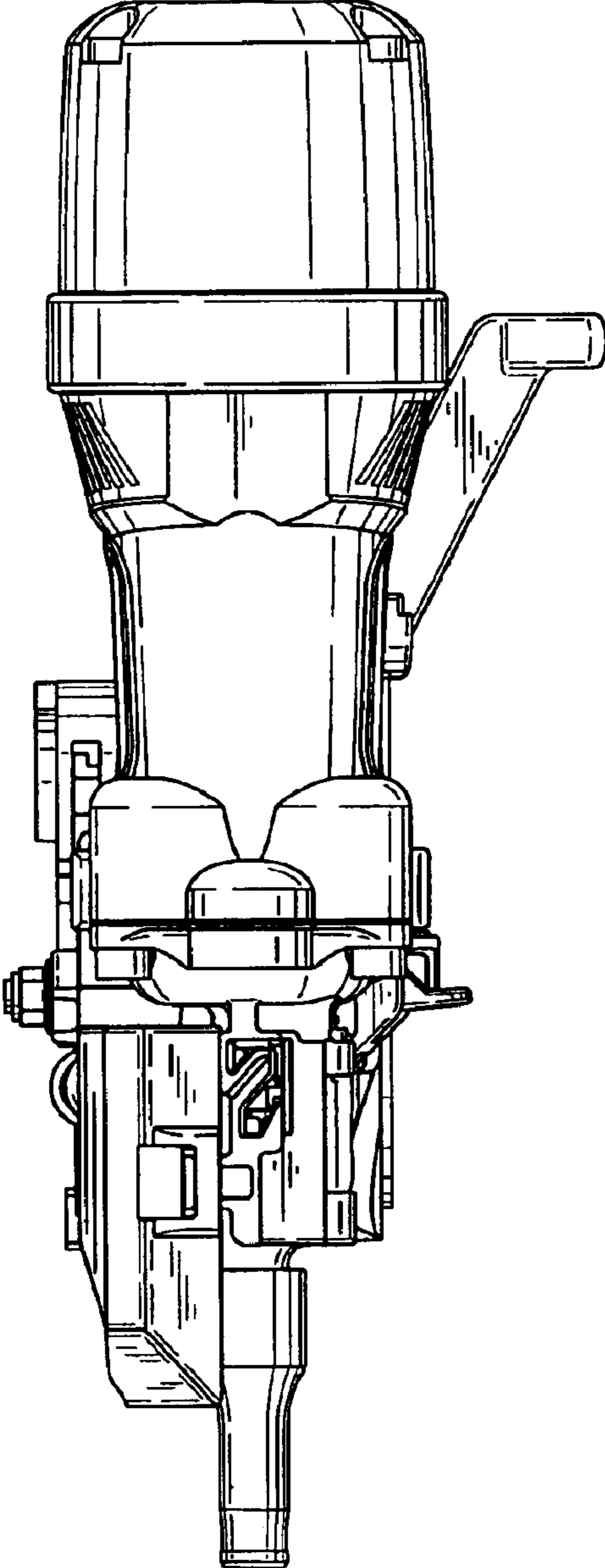


FIG. 7

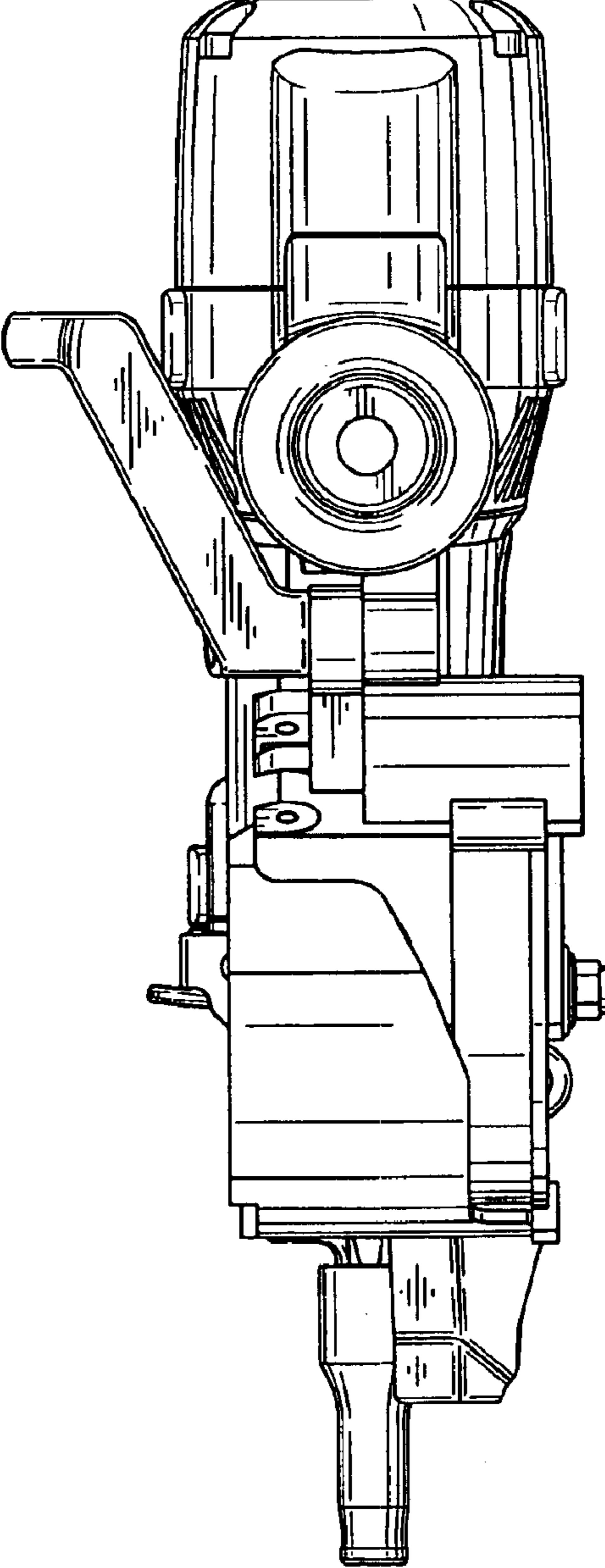


FIG. 8

