

US00D505605S

(12) **United States Design Patent**
Mituhiko

(10) **Patent No.:** **US D505,605 S**

(45) **Date of Patent:** **** May 31, 2005**

(54) **HALF CIRCULAR FLANGE FOR A
SOLDERING CARTRIDGE**

D431,434 S * 10/2000 Yoshimura D8/30
6,147,325 A * 11/2000 Eisele 219/229
D442,875 S * 5/2001 Fujiwara D15/144.2
6,513,697 B1 2/2003 Sines et al.

(75) Inventor: **Miyazaki Mituhiko**, Osaka (JP)

* cited by examiner

(73) Assignee: **Hakko Corporation**, Osaka (JP)

Primary Examiner—Philip S. Hyder

(**) Term: **14 Years**

(74) *Attorney, Agent, or Firm*—Squire, Sanders & Dempsey, L.L.P.

(21) Appl. No.: **29/178,906**

(57) **CLAIM**

(22) Filed: **Apr. 1, 2003**

The ornamental design for a half circular flange for a soldering cartridge, as shown and described.

Related U.S. Application Data

DESCRIPTION

(63) Continuation of application No. 10/224,272, filed on Aug. 19, 2002, now Pat. No. 6,750,431.

FIG. 1 is a top view of the half circular flange for a soldering cartridge;

(51) **LOC (7) Cl.** **08-03**

FIG. 2 is a side view of the half circular flange for a soldering cartridge;

(52) **U.S. Cl.** **D8/30**

FIG. 3 is a bottom view of the half circular flange for a soldering cartridge;

(58) **Field of Search** D8/30, 29.1; 219/229, 219/230, 240, 238, 239, 231; D15/144

FIG. 4 is a front view of the half circular flange for a soldering cartridge; and,

(56) **References Cited**

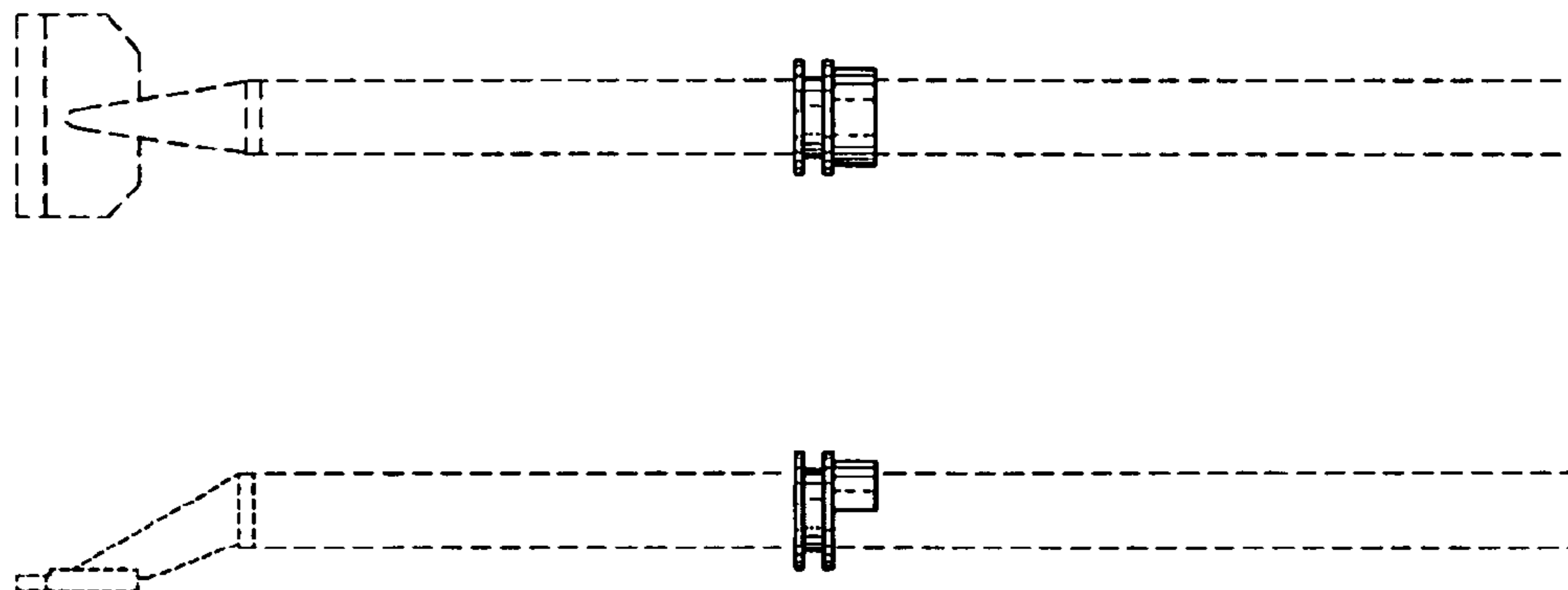
U.S. PATENT DOCUMENTS

3,919,524 A * 11/1975 Fortune 219/238
D271,741 S * 12/1983 Riccio D8/30
4,940,178 A * 7/1990 Hombrecher 228/55
5,059,769 A * 10/1991 Fortune 219/238
D327,825 S * 7/1992 Oglesby et al. D8/30
5,248,076 A * 9/1993 Eisele et al. 228/54

FIG. 5 is a back view of the half circular flange for a soldering cartridge.

The broken line portions of the disclosure are for illustrative purposes only and form no part of the claimed design.

1 Claim, 1 Drawing Sheet



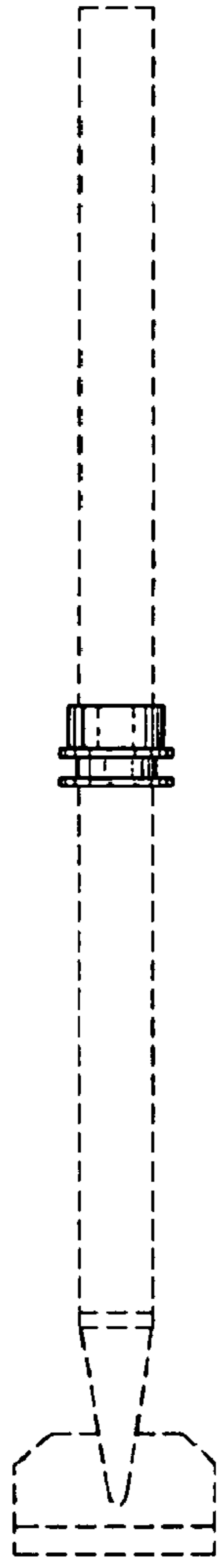


FIG. 1

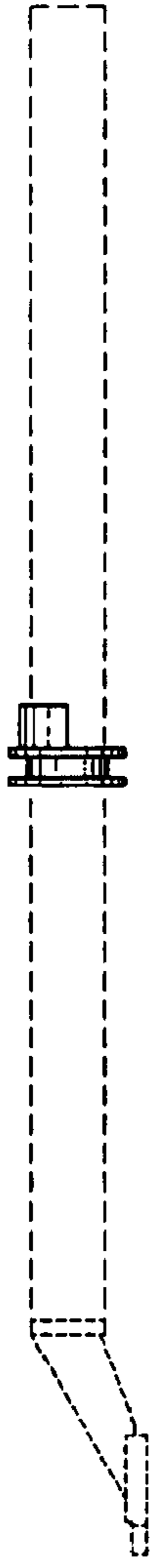


FIG. 2

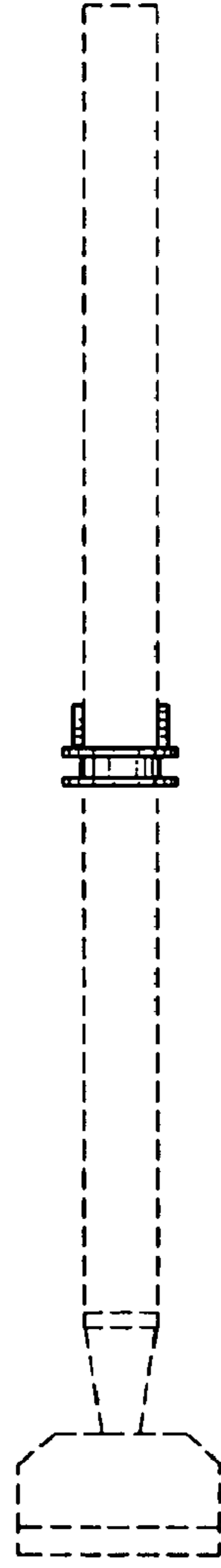


FIG. 3



FIG. 4

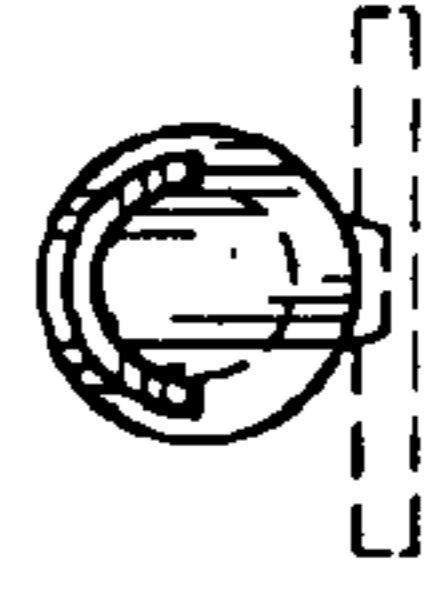


FIG. 5