

US00D505595S

(12) **United States Design Patent**
Kujawski et al.

(10) **Patent No.:** **US D505,595 S**

(45) **Date of Patent:** **** May 31, 2005**

(54) **DISPOSABLE COASTER**

4,629,153 A * 12/1986 Marcum 220/737
6,047,849 A * 4/2000 Schwegman et al. 220/737

(76) Inventors: **Rick A. Kujawski**, 48555 Penrose La.,
Macomb, MI (US) 48044; **Denise A.**
Kujawski, 48555 Penrose, Macomb, MI
(US) 48044

* cited by examiner

Primary Examiner—Terry A. Wallace
(74) *Attorney, Agent, or Firm*—Lynn E. Cargill

(**) Term: **14 Years**

(57) **CLAIM**

(21) Appl. No.: **29/201,985**

The ornamental design for a disposable coaster, as shown
and described.

(22) Filed: **Mar. 24, 2004**

DESCRIPTION

(51) **LOC (7) Cl.** **07-06**

(52) **U.S. Cl.** **D7/619.1; D7/624.2**

(58) **Field of Search** D7/619.1–625;
215/392–395; 248/346.01, 346.11, 311.2;
220/737; D9/455

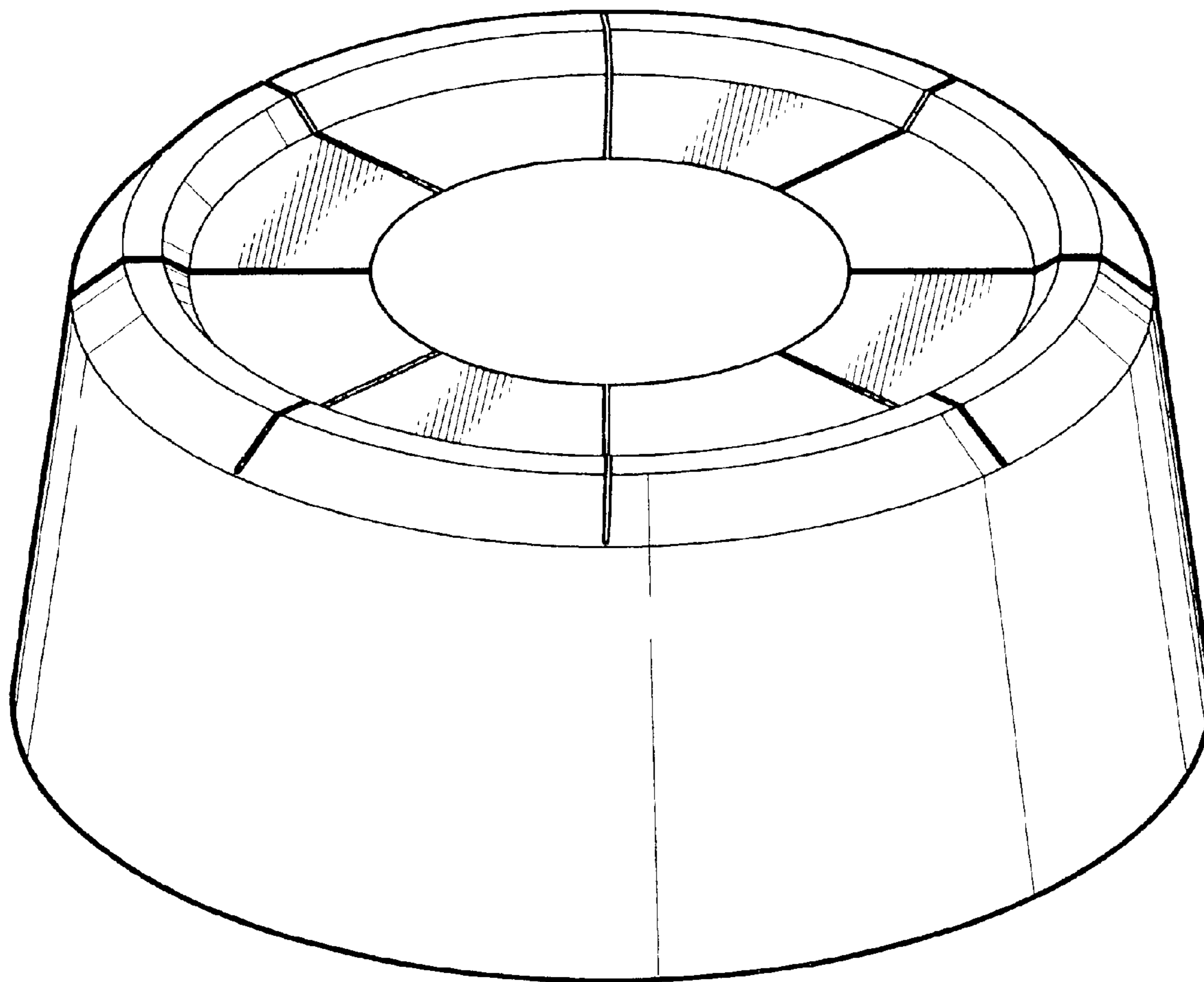
FIG. 1 is a perspective view of the disposable coaster made
in accordance with the present invention;
FIG. 2 is a top plan view of FIG. 1;
FIG. 3 is a side elevational view of the disposable coaster of
FIG. 1; and,
FIG. 4 is a bottom view of the disposable coaster in
accordance with the present invention.

(56) **References Cited**

U.S. PATENT DOCUMENTS

2,608,074 A * 8/1952 Davis 215/394

1 Claim, 2 Drawing Sheets



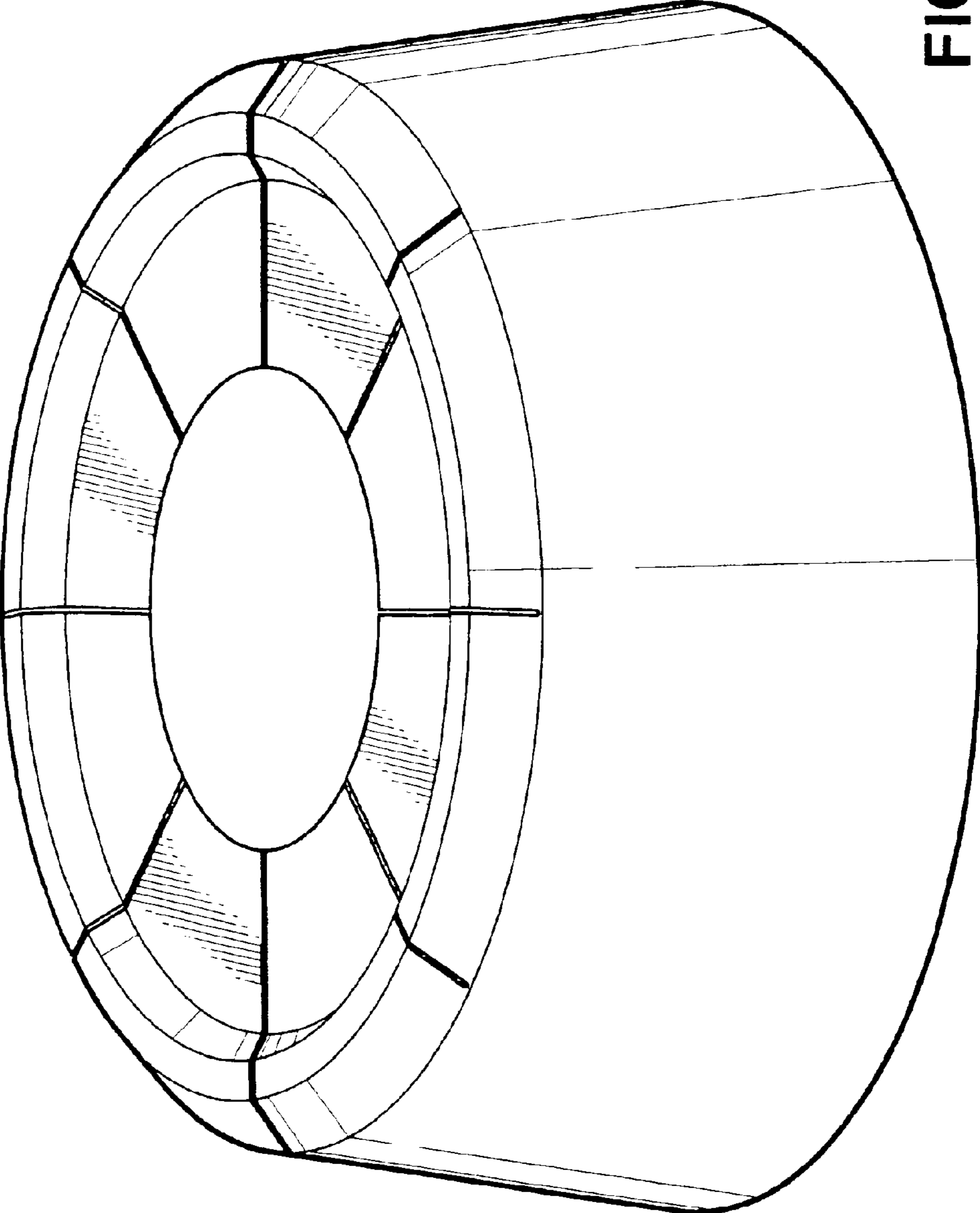


FIG - 1

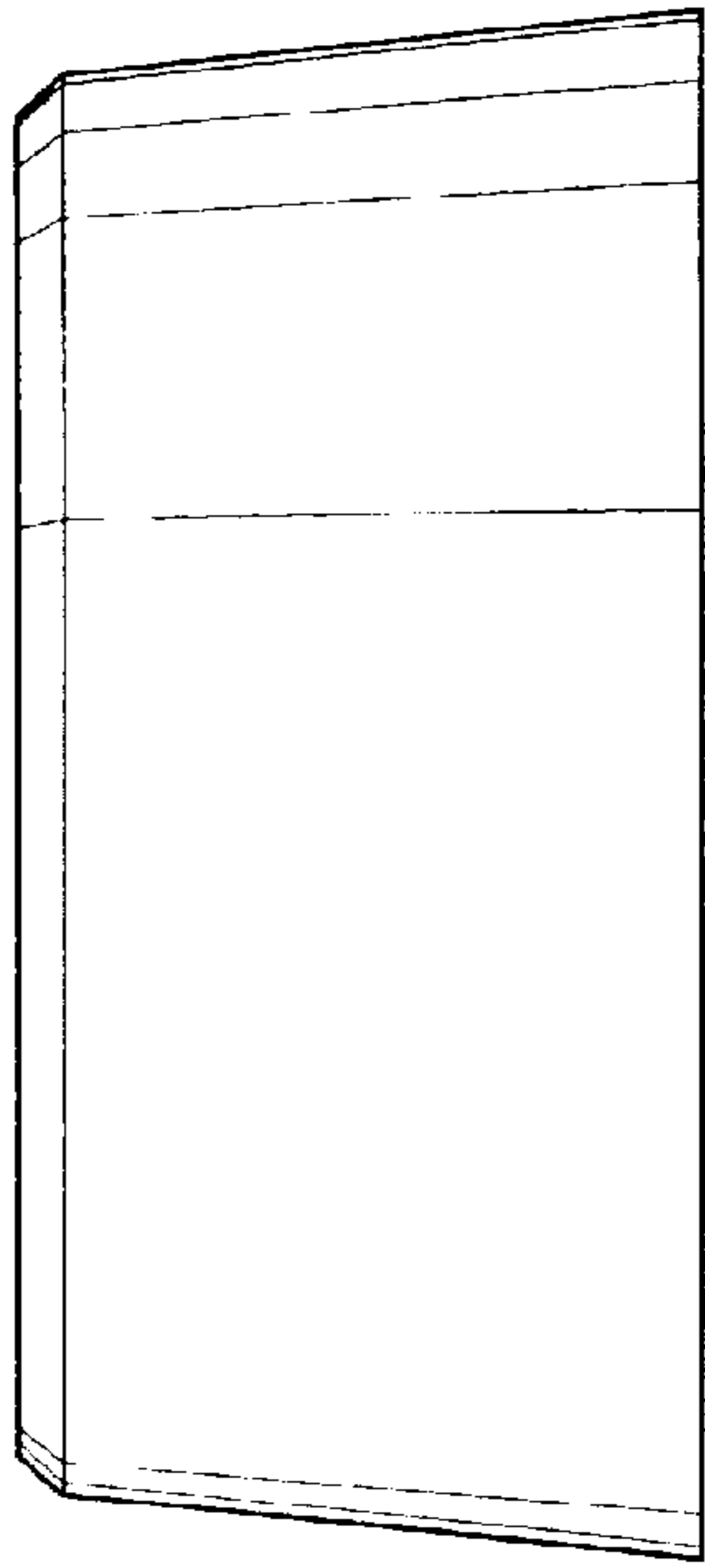


FIG - 3

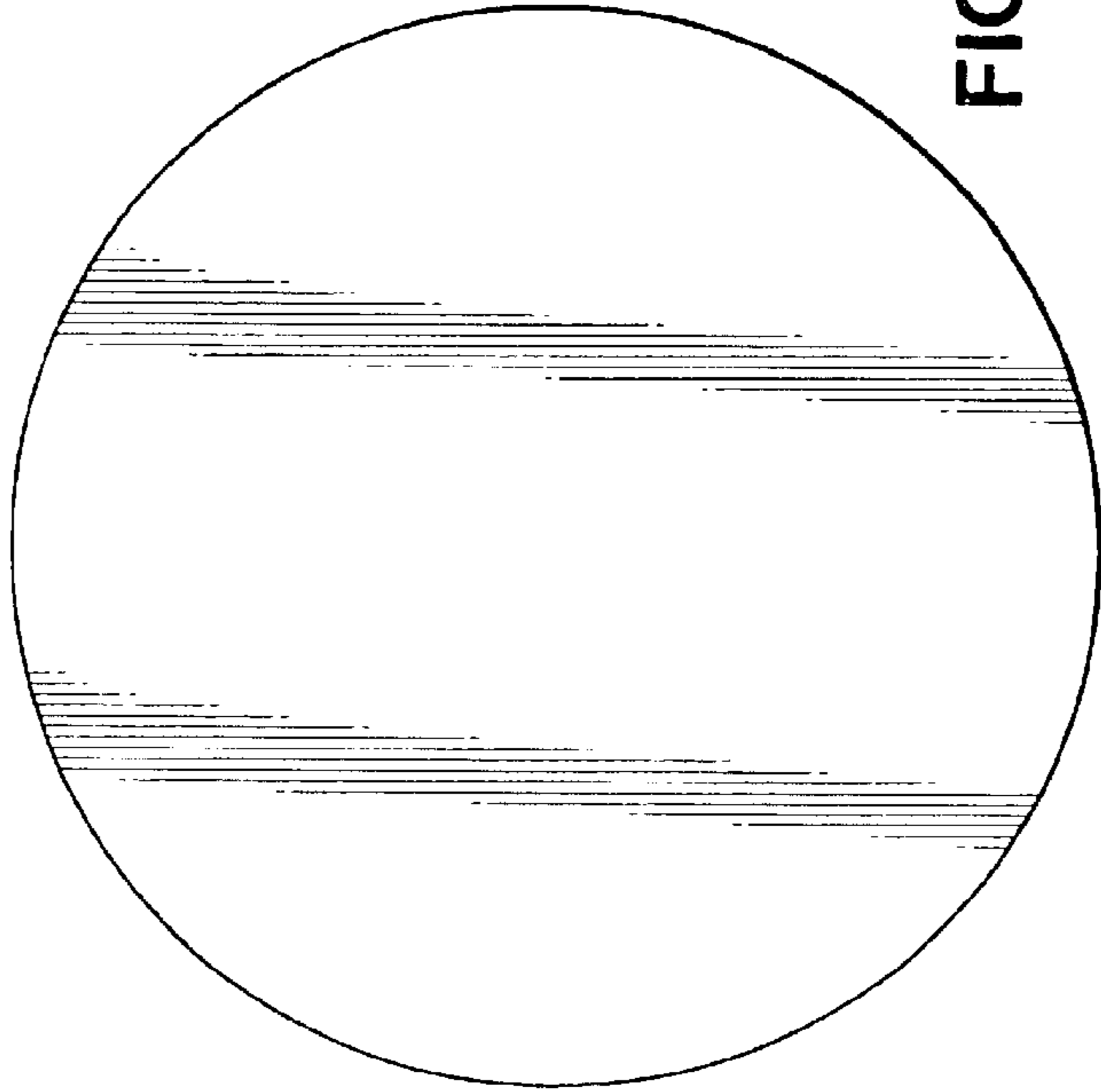


FIG - 4

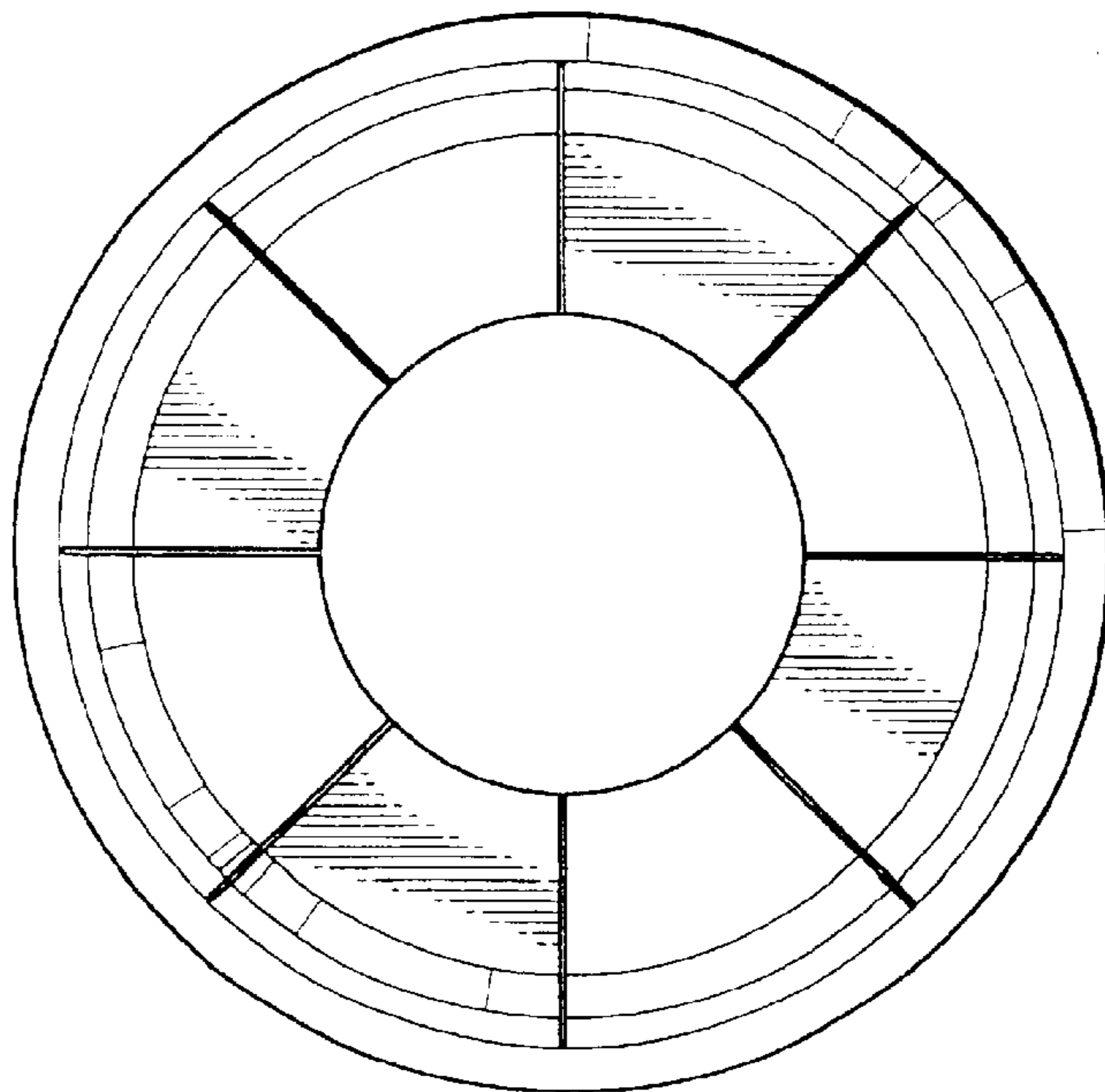


FIG - 2