

US00D505590S

(12) **United States Design Patent** (10) **Patent No.:** **US D505,590 S**
Greiner et al. (45) **Date of Patent:** **** May 31, 2005**

(54) **SUSCEPTOR TRAY**
 (75) Inventors: **Steven P. Greiner**, Mundelein, IL (US);
Paul A. Cogley, Chicago, IL (US);
Keith E. Petrofsky, Round Lake, IL (US)

(73) Assignee: **Kraft Foods Holdings, Inc.**, Northfield, IL (US)

(**) Term: **14 Years**

(21) Appl. No.: **29/182,269**

(22) Filed: **May 22, 2003**

(51) **LOC (7) Cl.** **07-02**

(52) **U.S. Cl.** **D7/409; D7/323**

(58) **Field of Search** D7/500, 550.1,
 D7/323, 354-361, 387, 388, 391-392.1,
 409, 213; 99/324, 422-425, 444, 450; 219/725-733;
 118/500; 426/107; 501/88; D9/456

(56) **References Cited**

U.S. PATENT DOCUMENTS

D274,495 S	7/1984	Bowen et al.
4,567,341 A	1/1986	Brown
4,794,005 A	12/1988	Swiontek
4,960,598 A	10/1990	Swiontek
5,077,455 A	12/1991	Peleg et al.
5,153,402 A	10/1992	Quick et al.
5,223,685 A	6/1993	DeRienzo, Jr.
5,239,153 A	8/1993	Beckett
5,247,149 A	9/1993	Peleg
5,565,228 A	10/1996	Gics
5,585,027 A	12/1996	Young
5,900,264 A	5/1999	Gics
6,083,550 A	7/2000	Cochran et al.
6,147,337 A	11/2000	Besser
6,168,812 B1	1/2001	Paulucci
D437,557 S	2/2001	Ingelin et al.
6,211,500 B1	4/2001	Cochran, II et al.
6,211,501 B1	4/2001	McCarthy et al.
6,303,913 B1	10/2001	Bono et al.
6,308,833 B1	10/2001	Oravez
6,359,272 B1	3/2002	Sadek et al.
6,386,498 B1	5/2002	Deco
6,414,288 B1	7/2002	Bono et al.
6,414,290 B1	7/2002	Cole et al.

6,476,368 B2 11/2002 Aronsson et al.
 6,534,755 B1 3/2003 Paulucci
 2001/0032843 A1 10/2001 Aronsson et al.
 2003/0000948 A1 1/2003 Cole et al.
 2003/0049353 A1 3/2003 Lauen et al.

Primary Examiner—Caron D. Veynar

(74) *Attorney, Agent, or Firm*—Cook, Alex, McFarron, Manzo, Cummings, & Mehler Ltd.

(57) **CLAIM**

The ornamental design for a susceptor tray, as shown and described.

DESCRIPTION

FIG. 1 is a perspective view of a susceptor tray showing the new design;
 FIG. 2 is a side elevational view thereof, the opposite side elevational view being the same as FIG. 2;
 FIG. 3 is a top plan view thereof;
 FIG. 4 is a bottom plan view thereof;
 FIG. 5 is a longitudinal sectional view thereof;
 FIG. 6 is a perspective view of a second embodiment of the susceptor tray;
 FIG. 7 is a side elevational view thereof, the opposite side elevational view being the same as FIG. 7;
 FIG. 8 is a top plan view thereof;
 FIG. 9 is a bottom plan view thereof; and
 FIG. 10 is a longitudinal sectional view thereof;
 FIG. 11 is a perspective view of a third embodiment of the susceptor tray;
 FIG. 12 is a side elevational view thereof, the opposite side elevational view being the same as FIG. 12;
 FIG. 13 is a top plan view thereof;
 FIG. 14 is a bottom plan view thereof;
 FIG. 15 is a longitudinal sectional view thereof;
 FIG. 16 is a perspective view of a fourth embodiment of the susceptor tray;
 FIG. 17 is a side elevational view thereof, the opposite side elevational view being the same as FIG. 17;
 FIG. 18 is a top plan view thereof;
 FIG. 19 is a bottom plan view thereof; and,
 FIG. 20 is a longitudinal sectional view thereof.

1 Claim, 8 Drawing Sheets

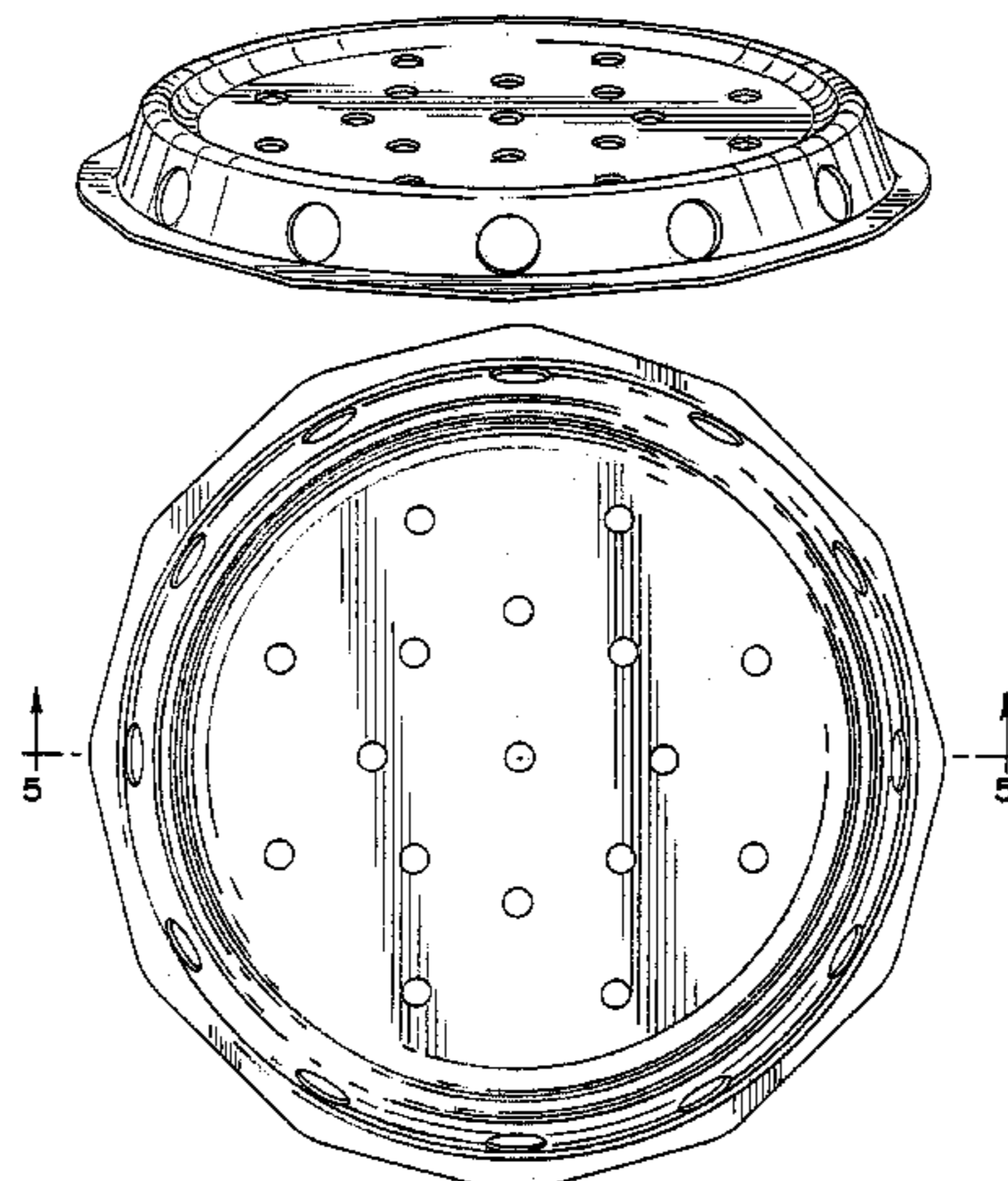


FIG. 1

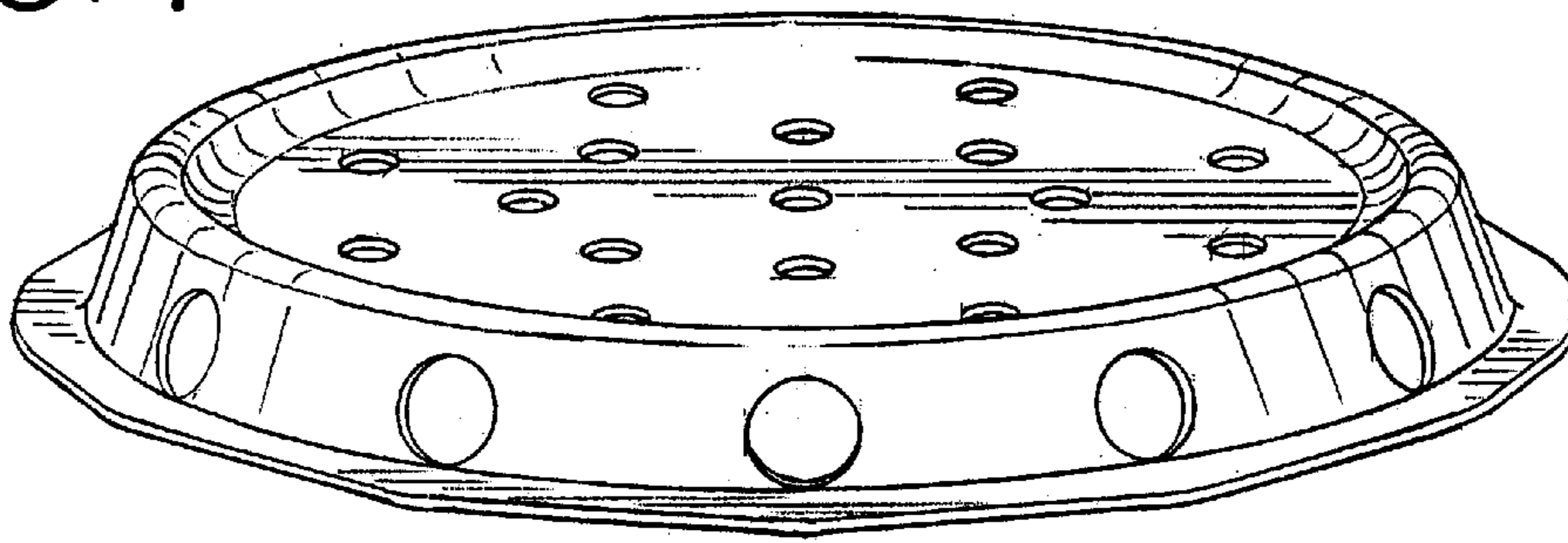


FIG. 2



FIG. 3

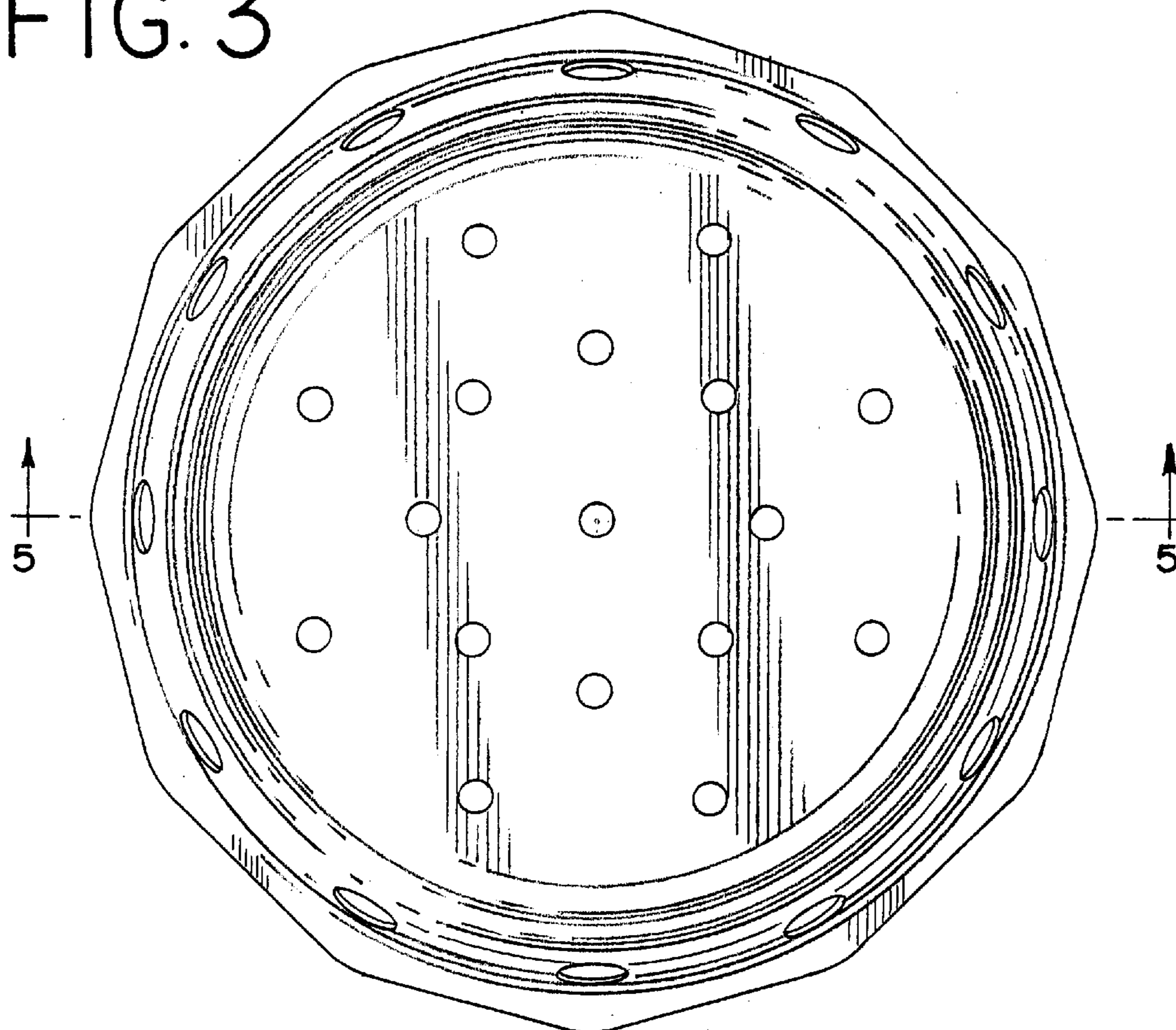


FIG. 4

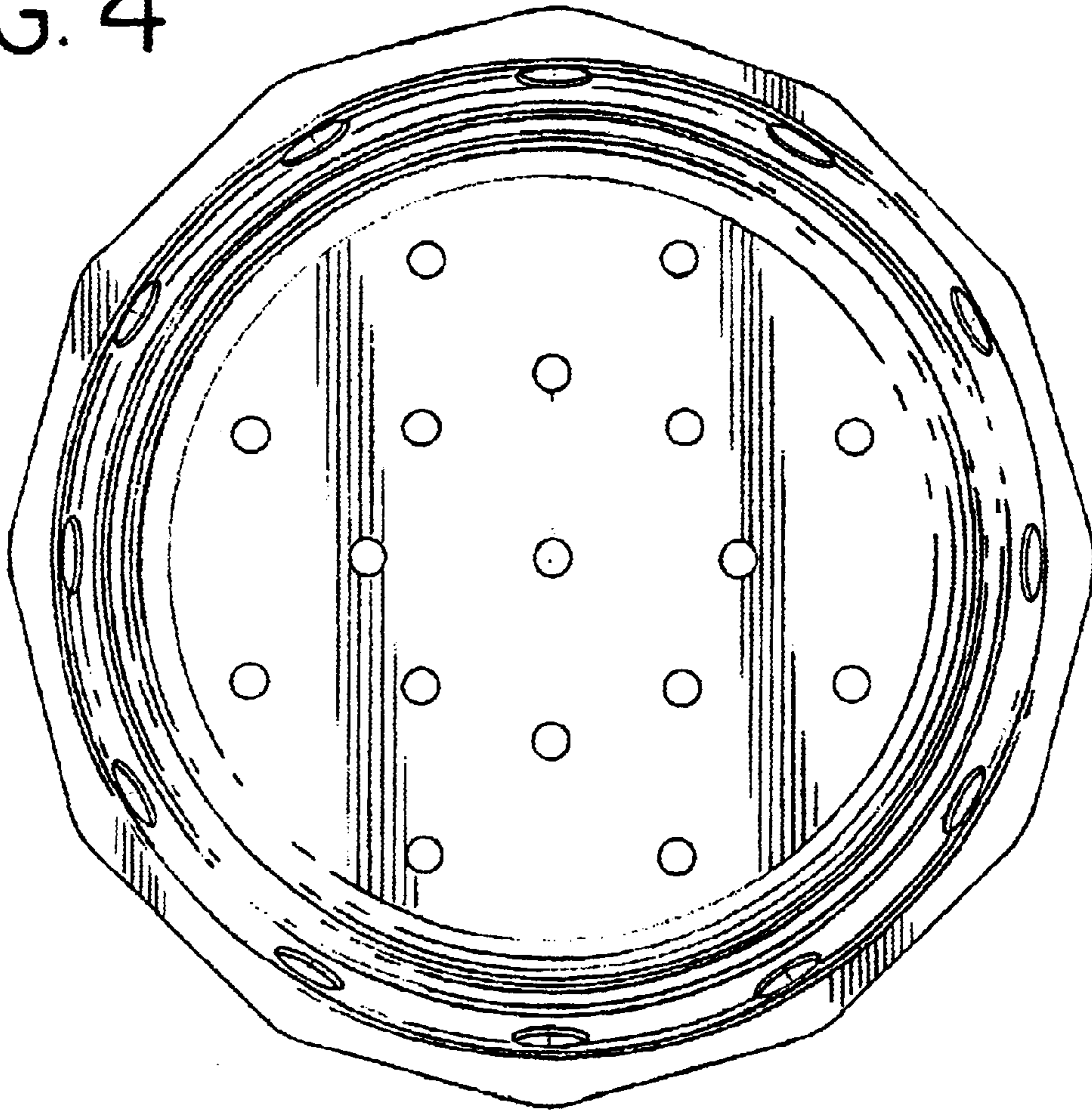


FIG. 5

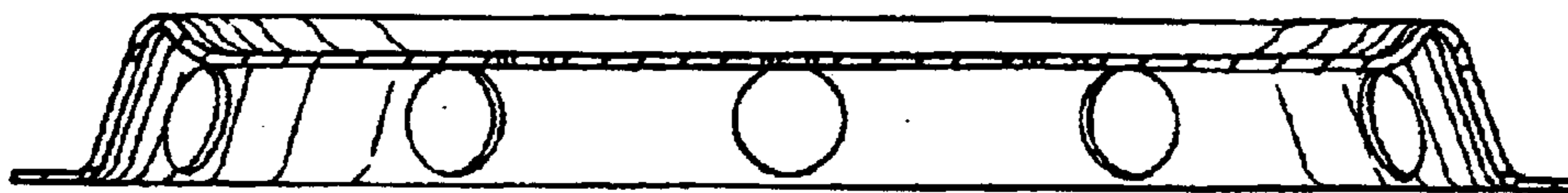


FIG. 6

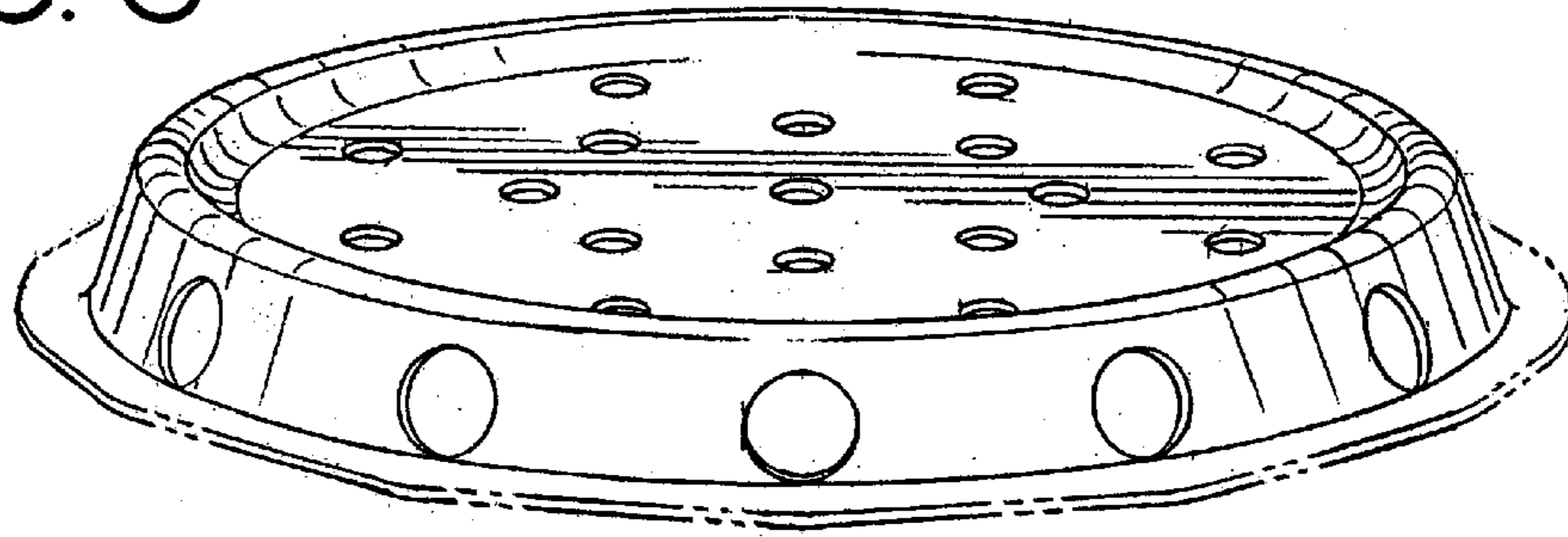


FIG. 7

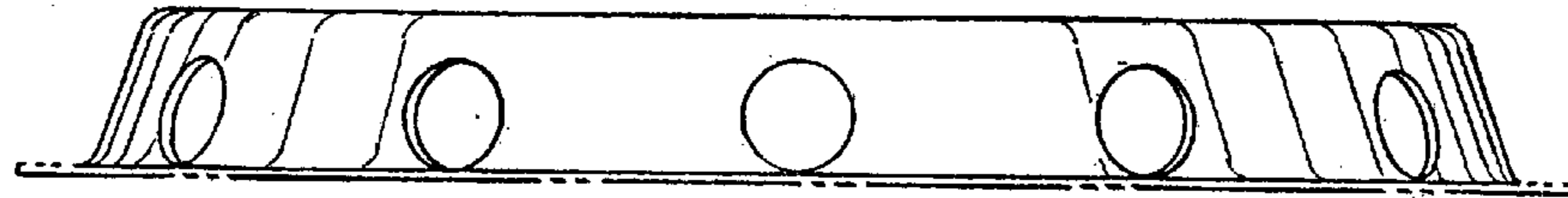


FIG. 8

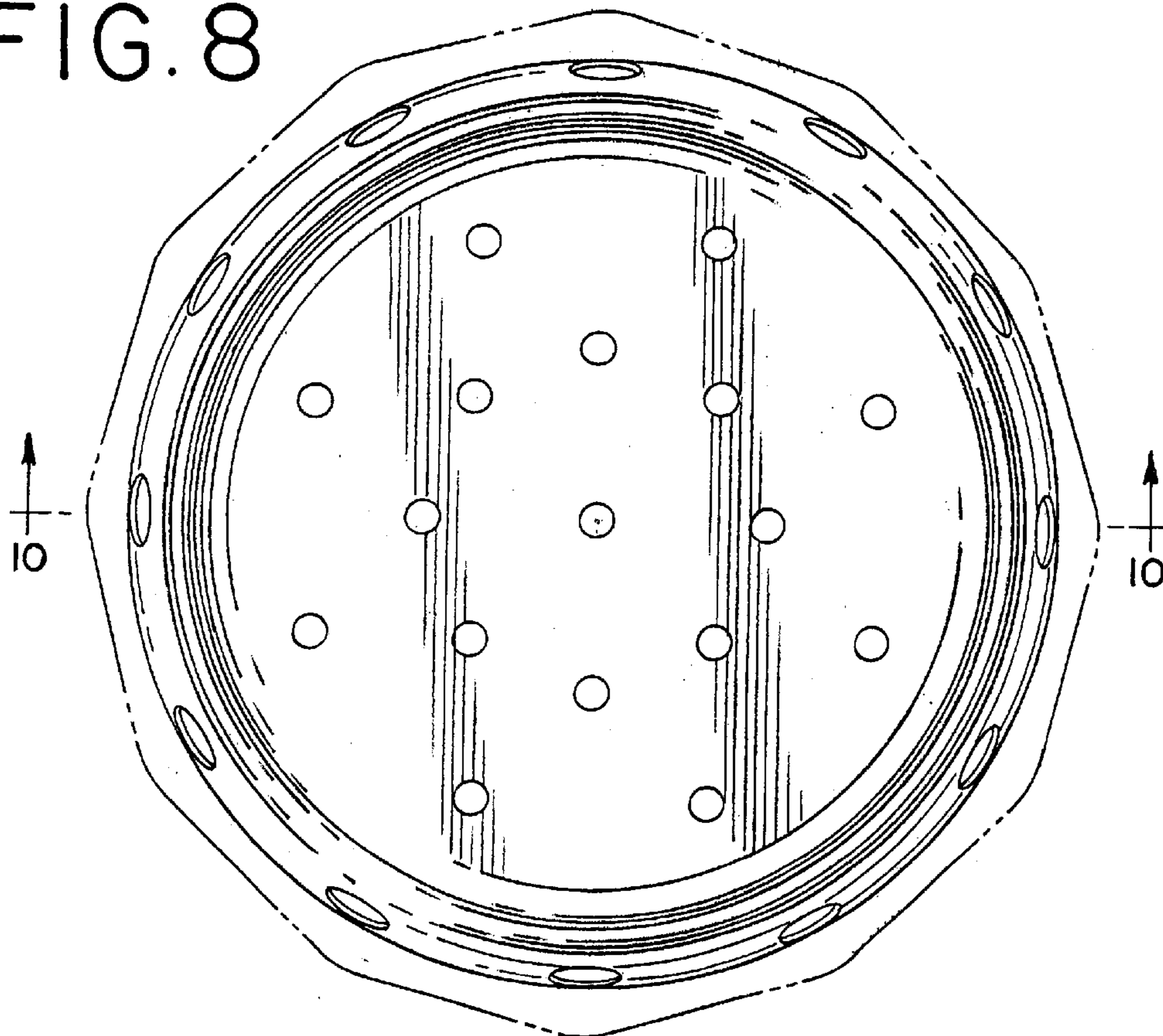


FIG. 9

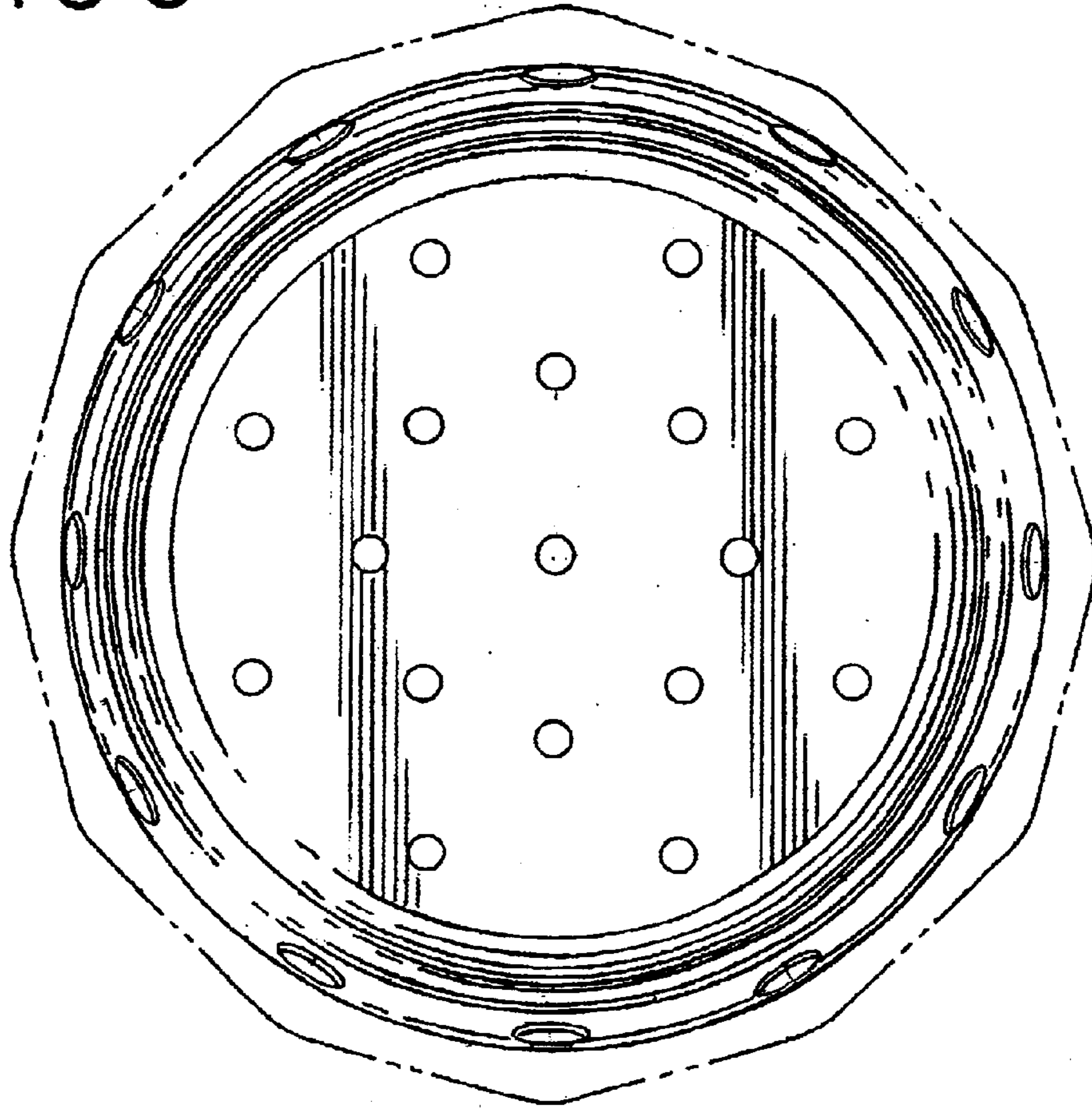


FIG. 10

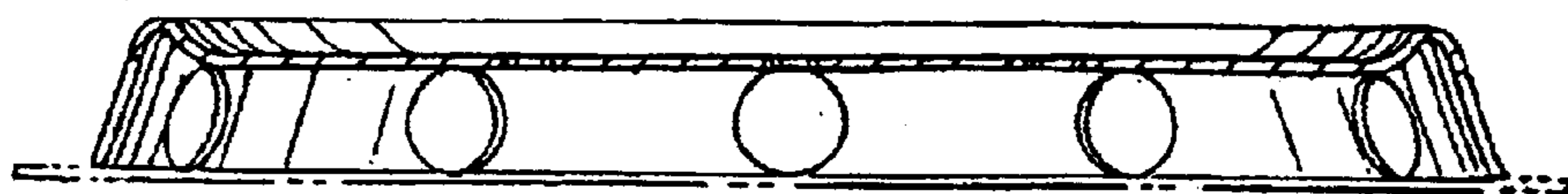


FIG. 11

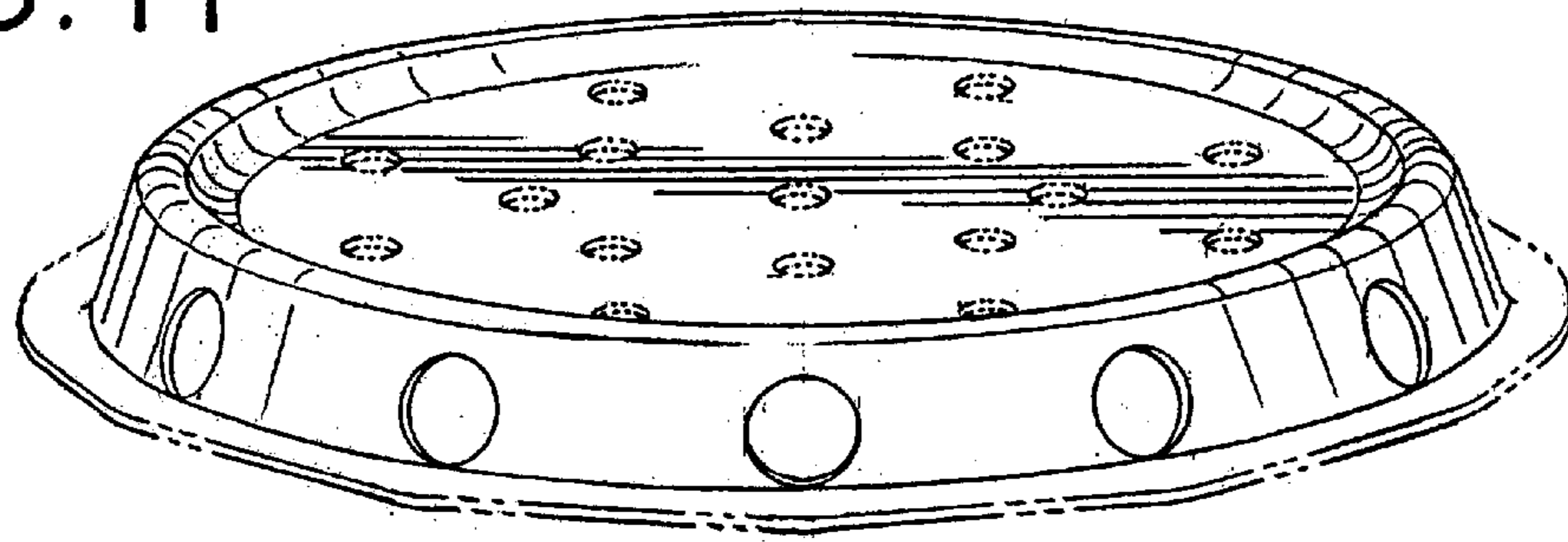


FIG. 12

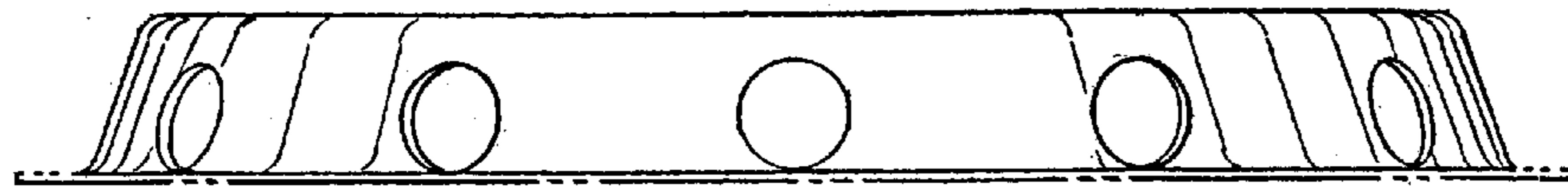


FIG. 13

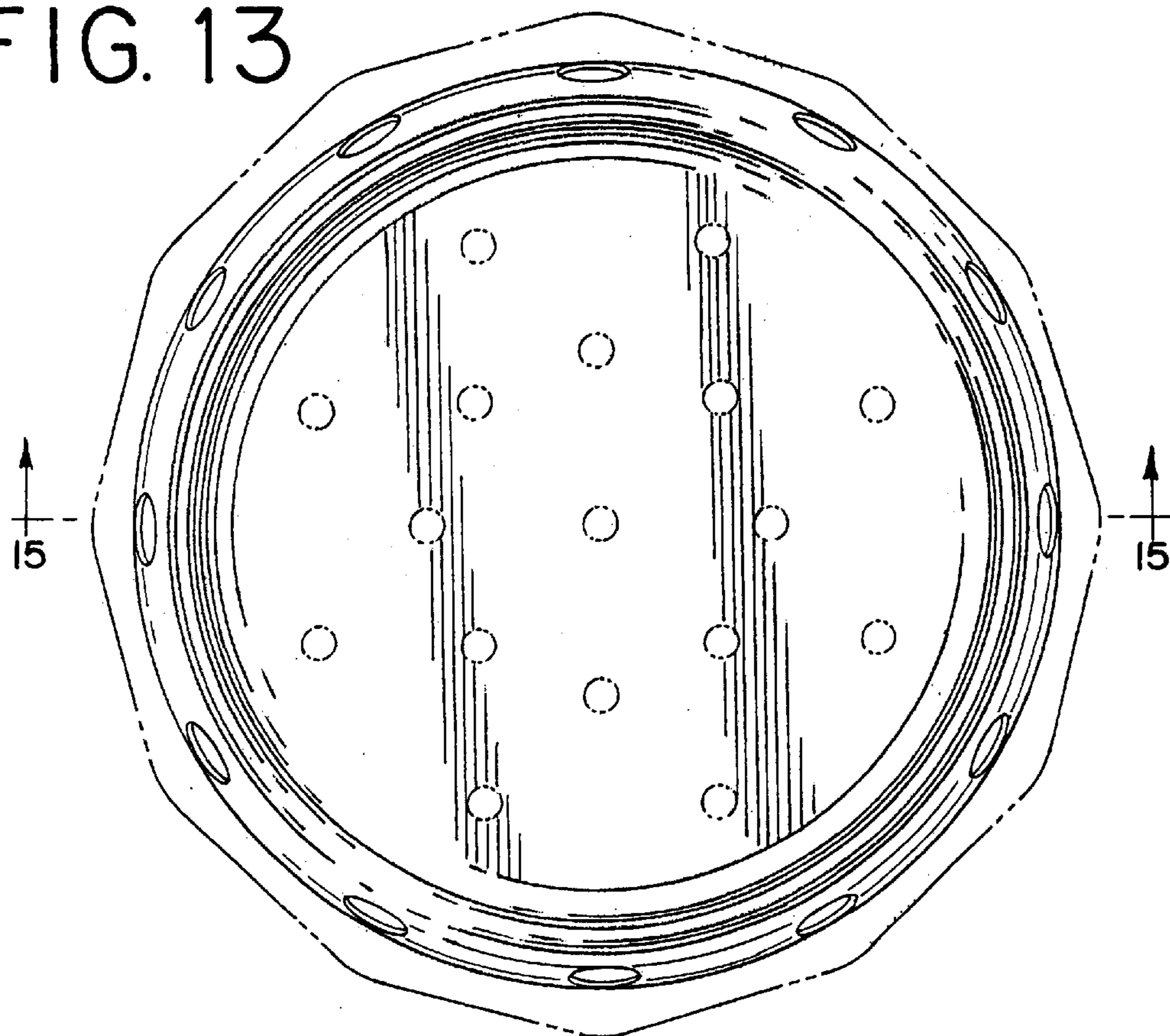


FIG. 14

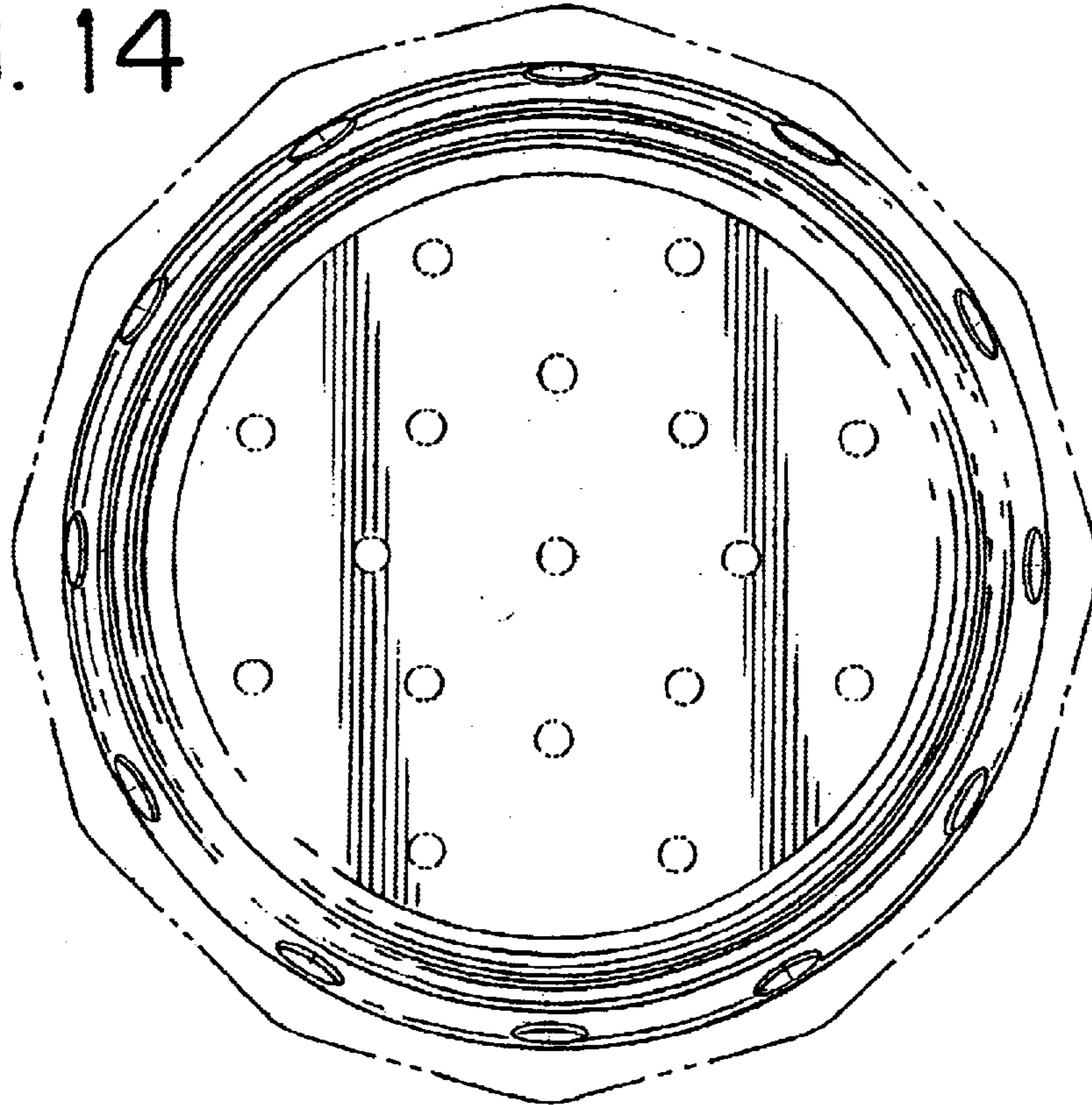


FIG. 15

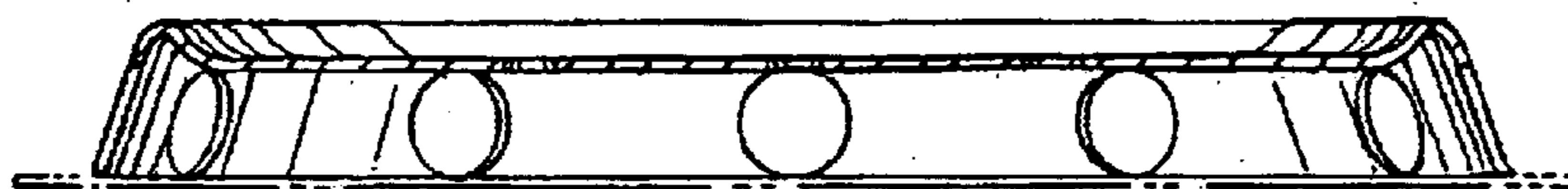


FIG. 16

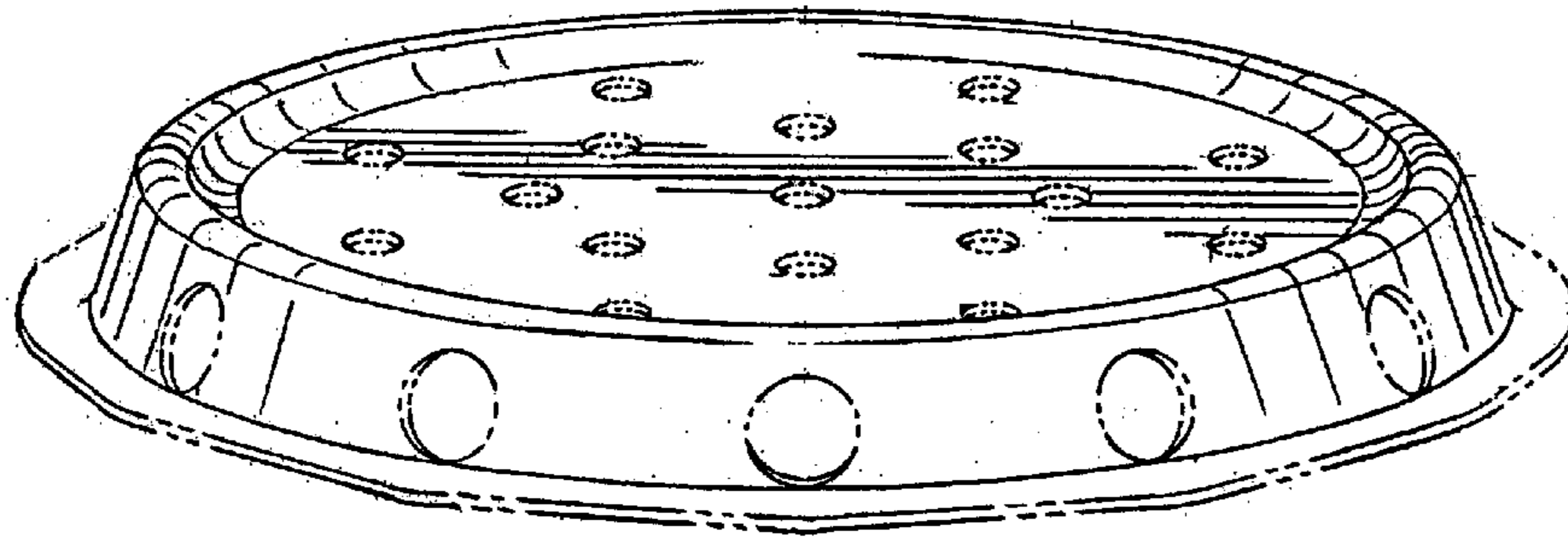


FIG. 17

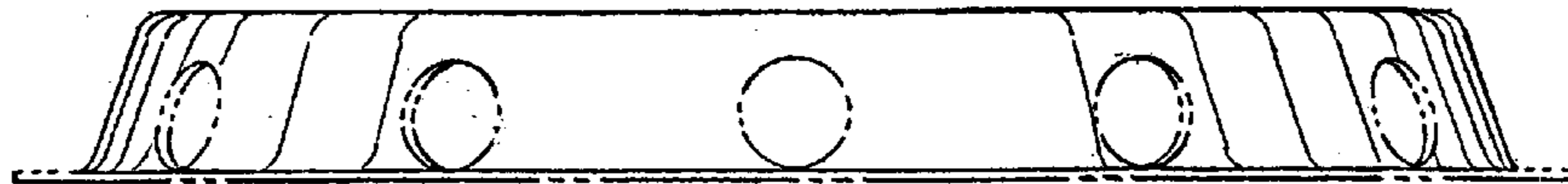


FIG. 18

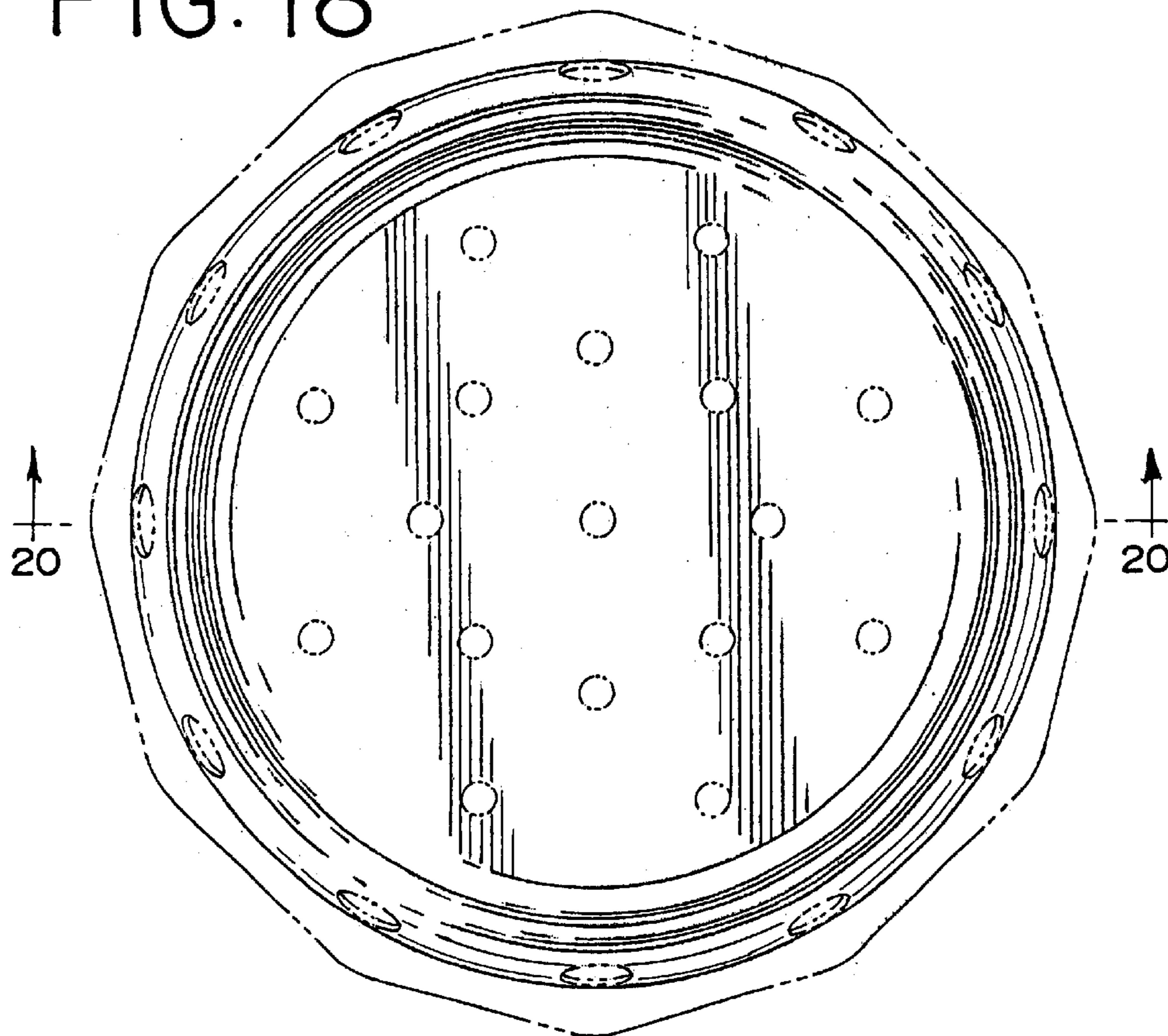


FIG. 19

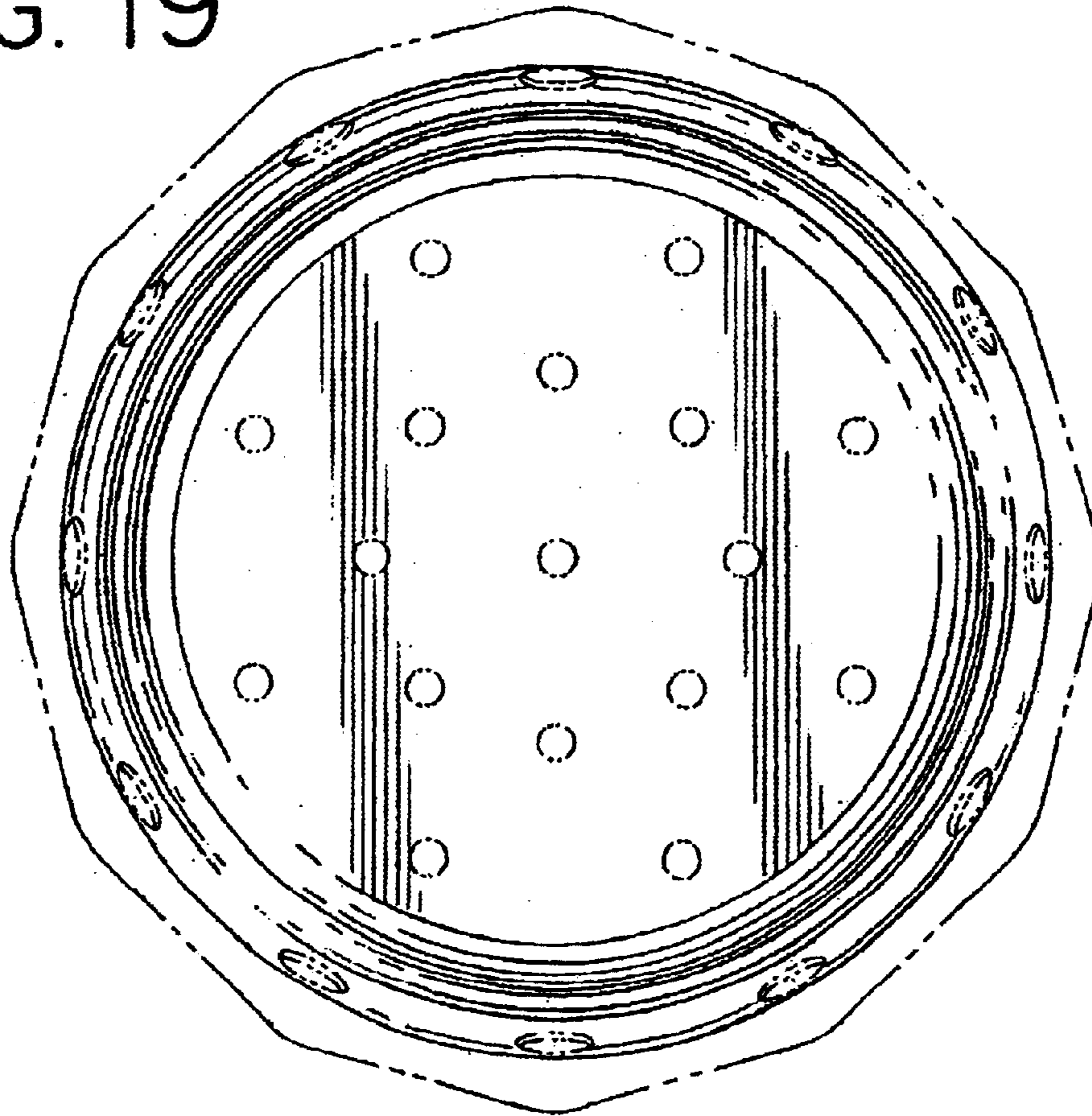


FIG. 20

